



US00D418049S

United States Patent [19]
Brown, III

[11] **Patent Number: Des. 418,049**

[45] **Date of Patent: ** Dec. 28, 1999**

[54] **NAIL**
[76] **Inventor: Joseph E Brown, III**, 392 Center Hill Rd., Upper Black Eddy, Pa. 18972

253,423 2/1882 Pitkin 411/457
3,416,821 12/1968 Benno 411/458
5,314,427 5/1994 Goble et al. 411/457

[**] **Term: 14 Years**

Primary Examiner—Holly Baynham

[21] **Appl. No.: 29/071,671**

[57] **CLAIM**

[22] **Filed: Jun. 5, 1997**

The ornamental design for a nail, as shown.

[51] **LOC (6) Cl. 08-08**

DESCRIPTION

[52] **U.S. Cl. D8/391**

FIG. 1 is a front plan view of the nail of the present invention;

[58] **Field of Search** D8/391; 411/470, 411/457-458

FIG. 2 is a back plan view of the nail of FIG. 1;

FIG. 3 is a left side plan view of the nail of FIG. 1;

FIG. 4 is a right side plan view of the nail of FIG. 1;

FIG. 5 is a top plan view of the nail of FIG. 1; and,

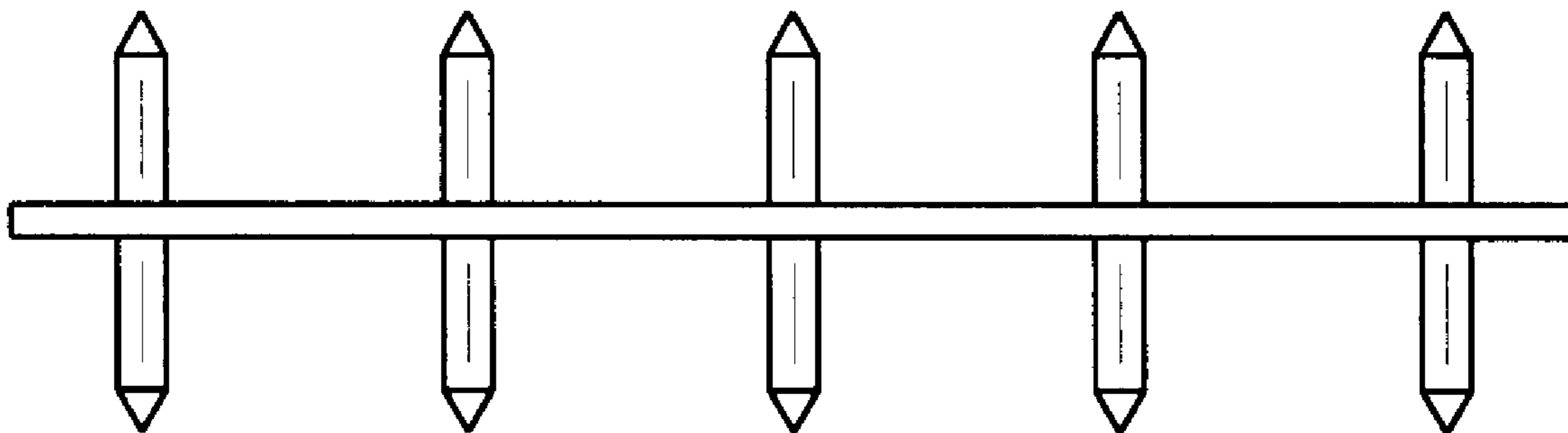
FIG. 6 is a bottom plan view of the nail of FIG. 1.

[56] **References Cited**

U.S. PATENT DOCUMENTS

D. 197,188 12/1963 Anderson D8/391 X
212,961 3/1879 Marshall 411/458

1 Claim, 5 Drawing Sheets



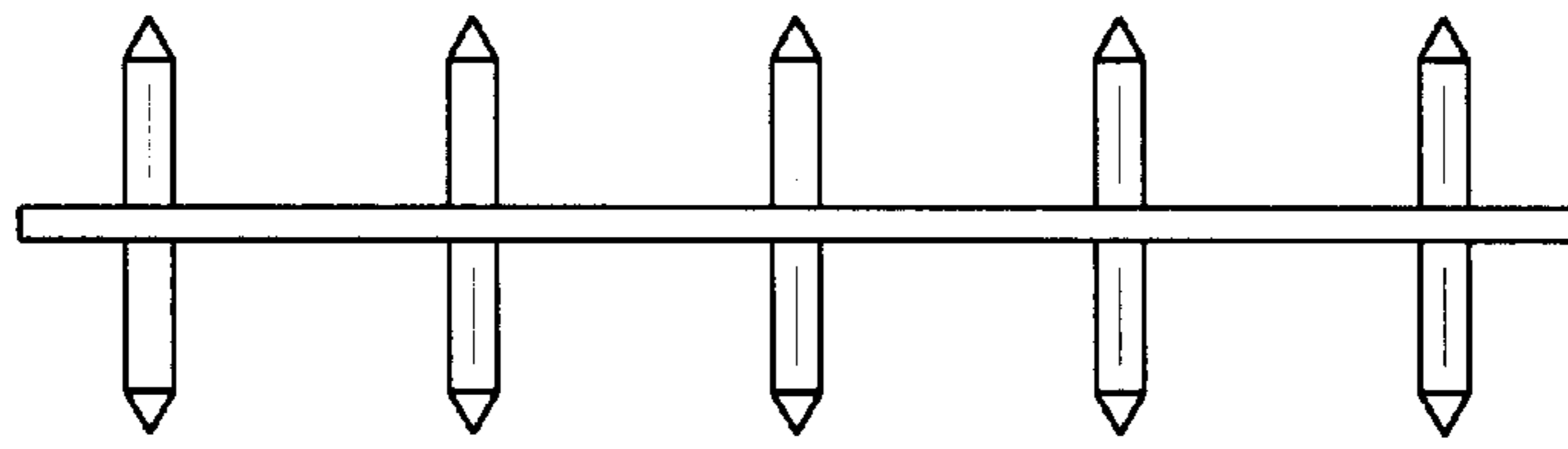


Fig. 1

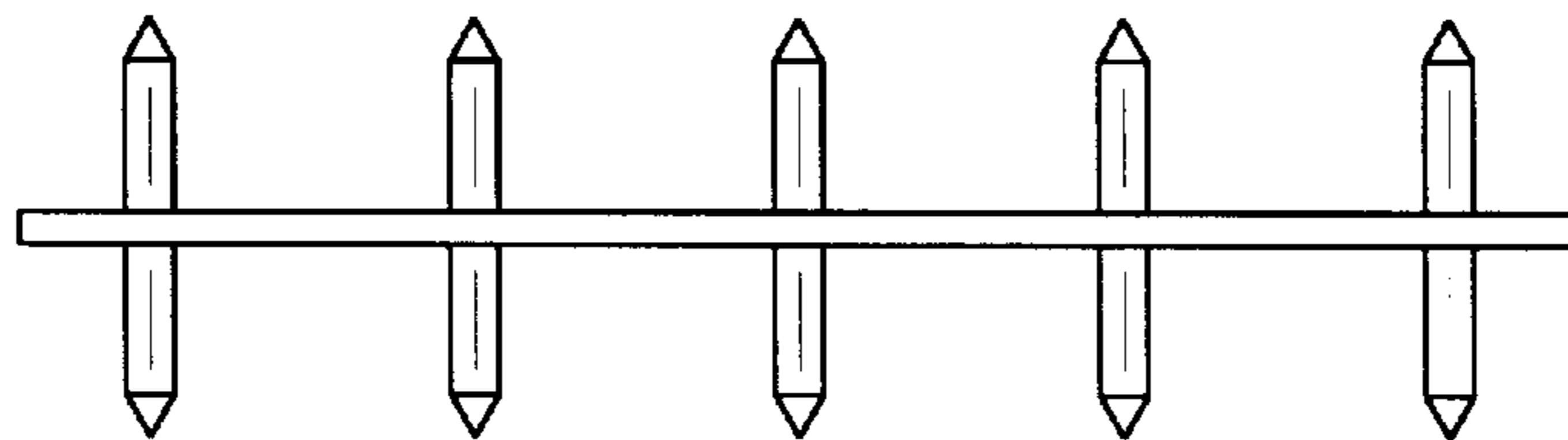


Fig. 2

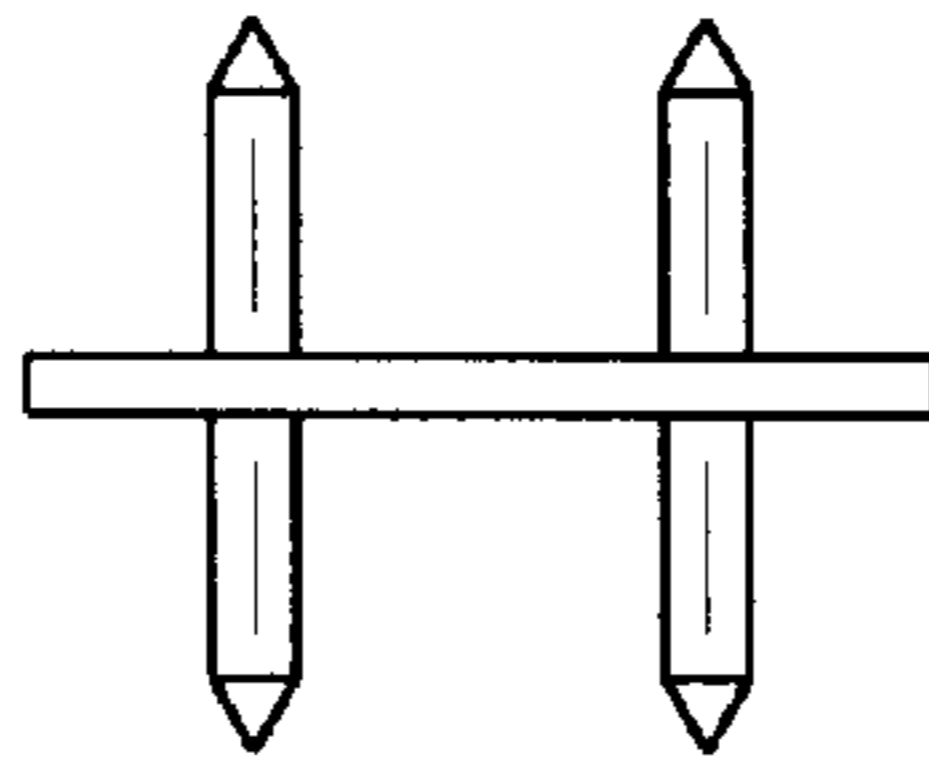


Fig. 3

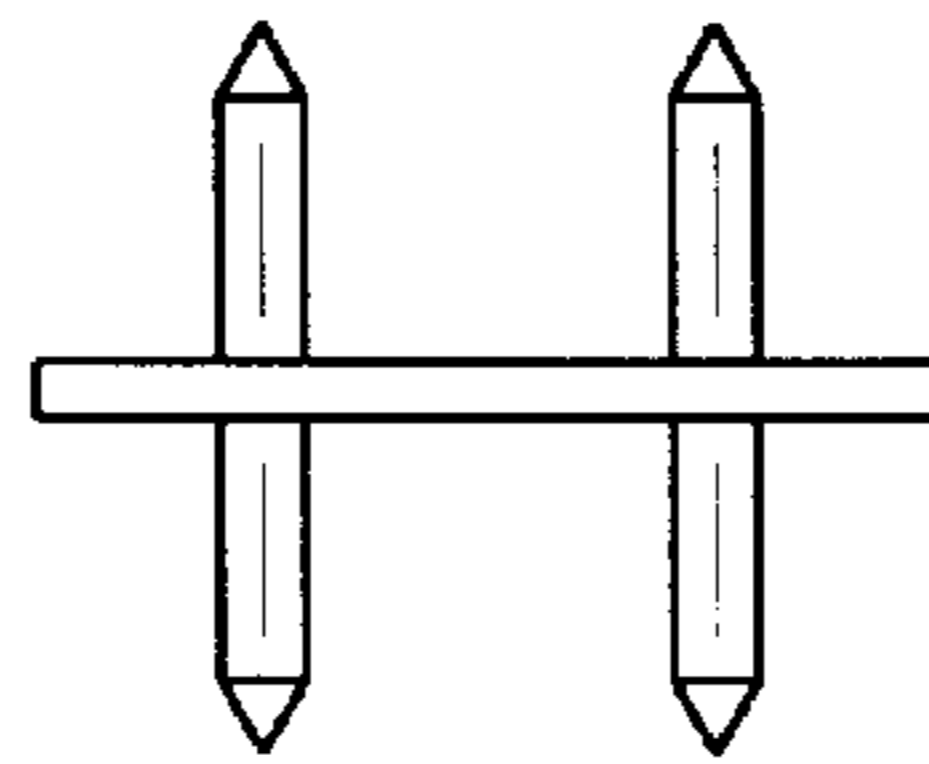


Fig. 4

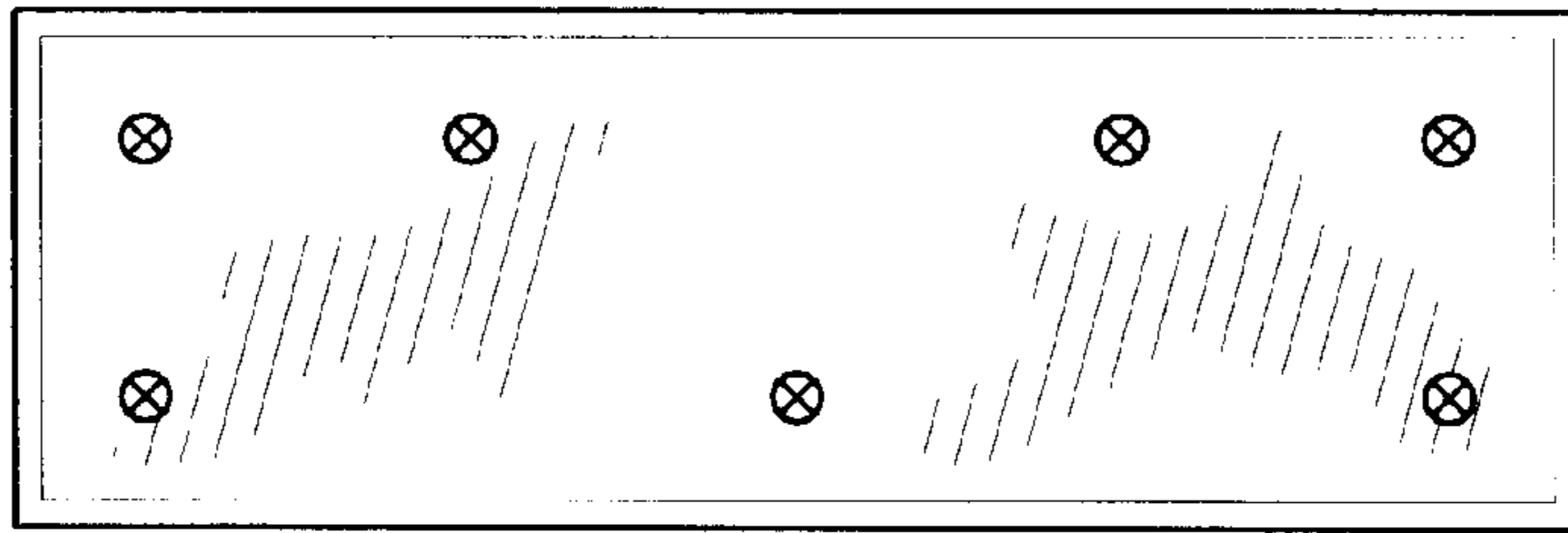


Fig. 5

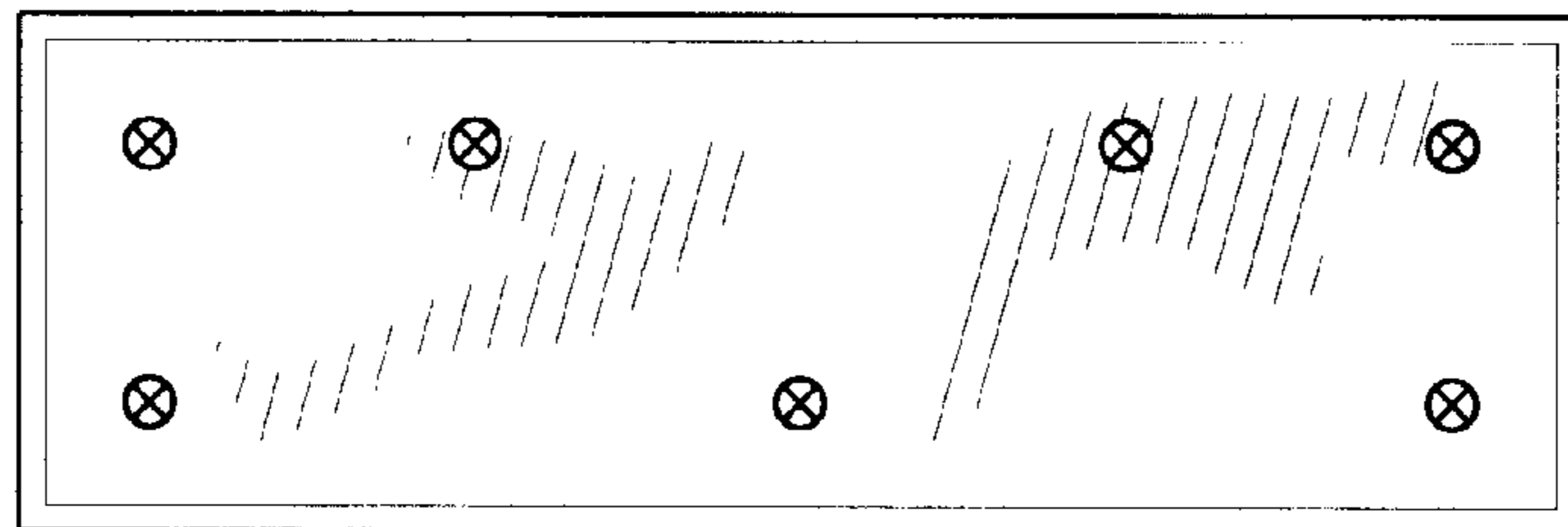
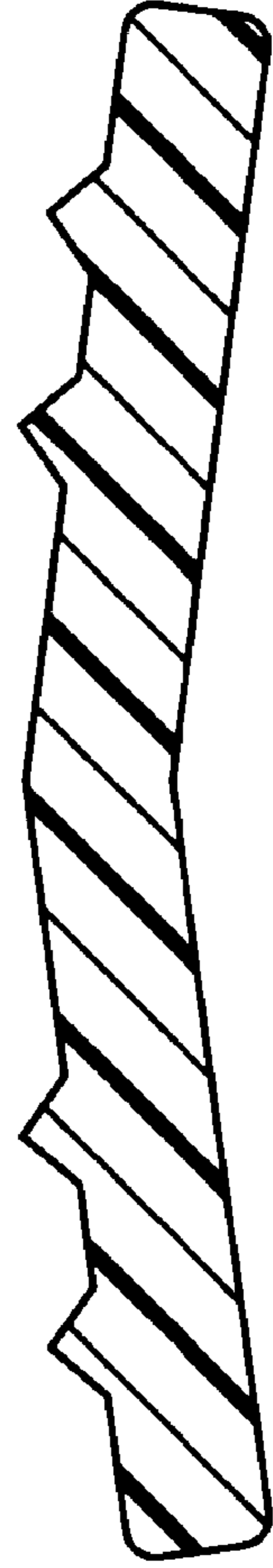


Fig. 6

FIG-6



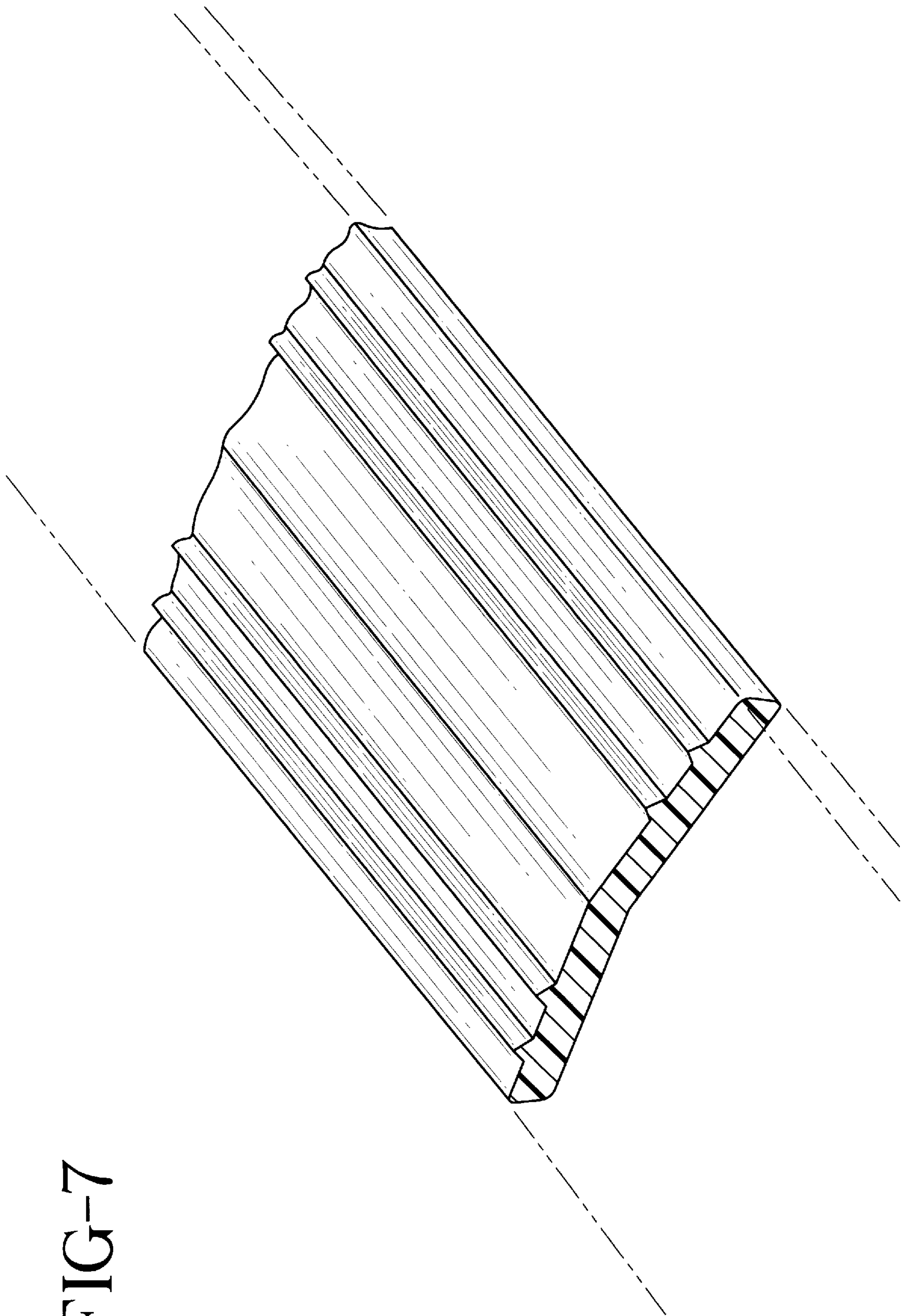


FIG-7