



US00D418048S

**United States Patent** [19]  
**Chan**

[11] **Patent Number: Des. 418,048**

[45] **Date of Patent: \*\* Dec. 28, 1999**

[54] **BOLT**

[76] Inventor: **Yung-Nong Chan**, 64, Lane 46,  
Syh-Wei Rd., Tou-Nan, Yun-Lin Hsien,  
Taiwan

[\*\*] Term: **14 Years**

[21] Appl. No.: **29/084,145**

[22] Filed: **Feb. 25, 1998**

[51] **LOC (6) Cl.** ..... **08-08**

[52] **U.S. Cl.** ..... **D8/387**

[58] **Field of Search** ..... D8/387; 411/378,  
411/411, 166, 178, 184, 188, 911, 427

[56] **References Cited**

**PUBLICATIONS**

Central Screw Company, p. 90, screw, item 11 at right of  
page, Jul. 1948.

machine design, p. 51, tapping screw located in middle of  
page, Mar. 1963.

*Primary Examiner*—Holly Baynham  
*Attorney, Agent, or Firm*—Larson & Taylor

[57] **CLAIM**

The ornamental design for a bolt, as shown.

**DESCRIPTION**

FIG. 1 is a perspective view of the bolt showing my new  
design;

FIG. 2 is a top plan view thereof;

FIG. 3 is a left side elevational view thereof;

FIG. 4 is a front elevational view thereof;

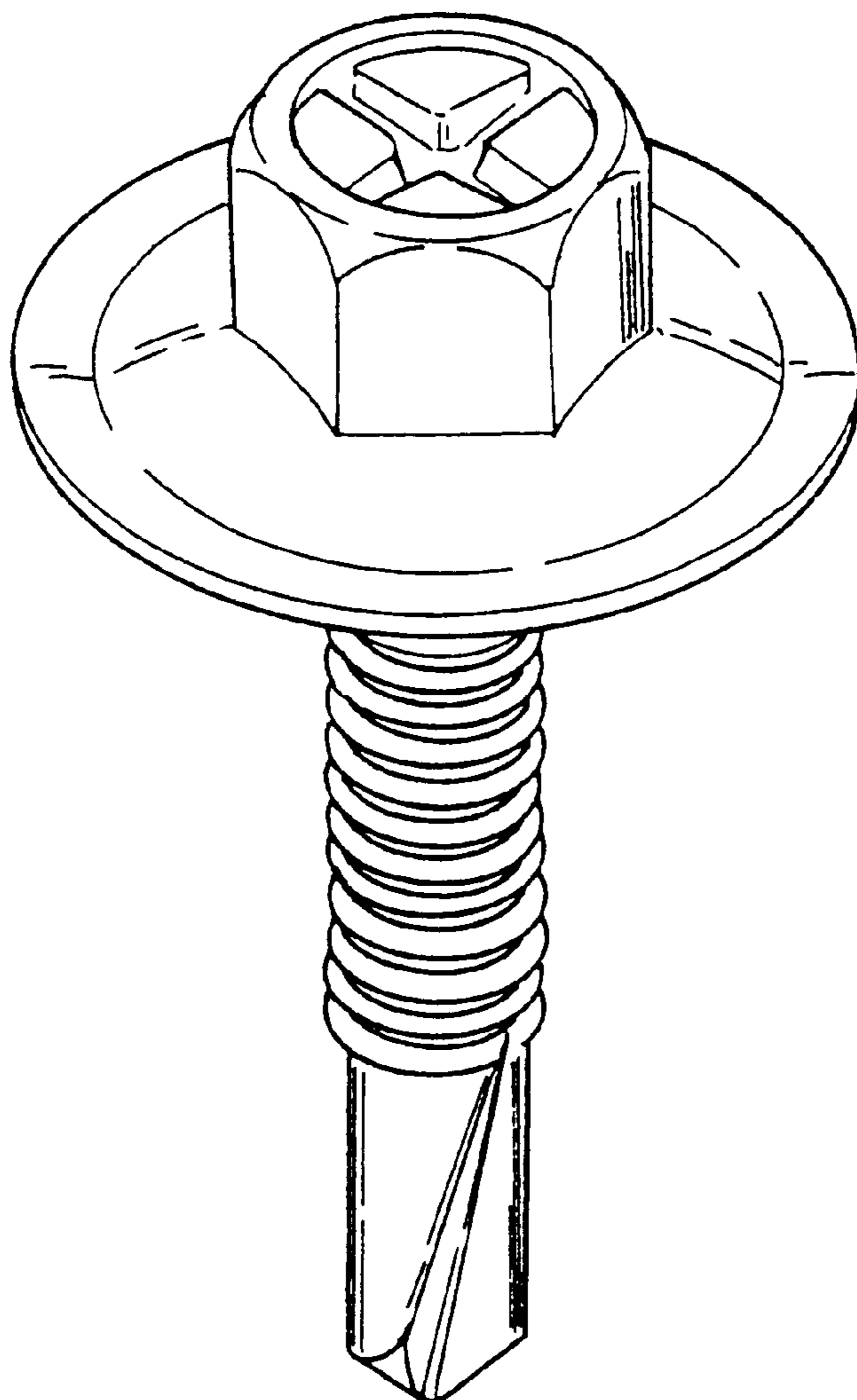
FIG. 5 is a right side elevational view thereof;

FIG. 6 is a rear elevational view thereof;

FIG. 7 is a bottom plan view thereof; and,

FIG. 8 is a sectional view of the bolt showing my new  
design.

**1 Claim, 4 Drawing Sheets**



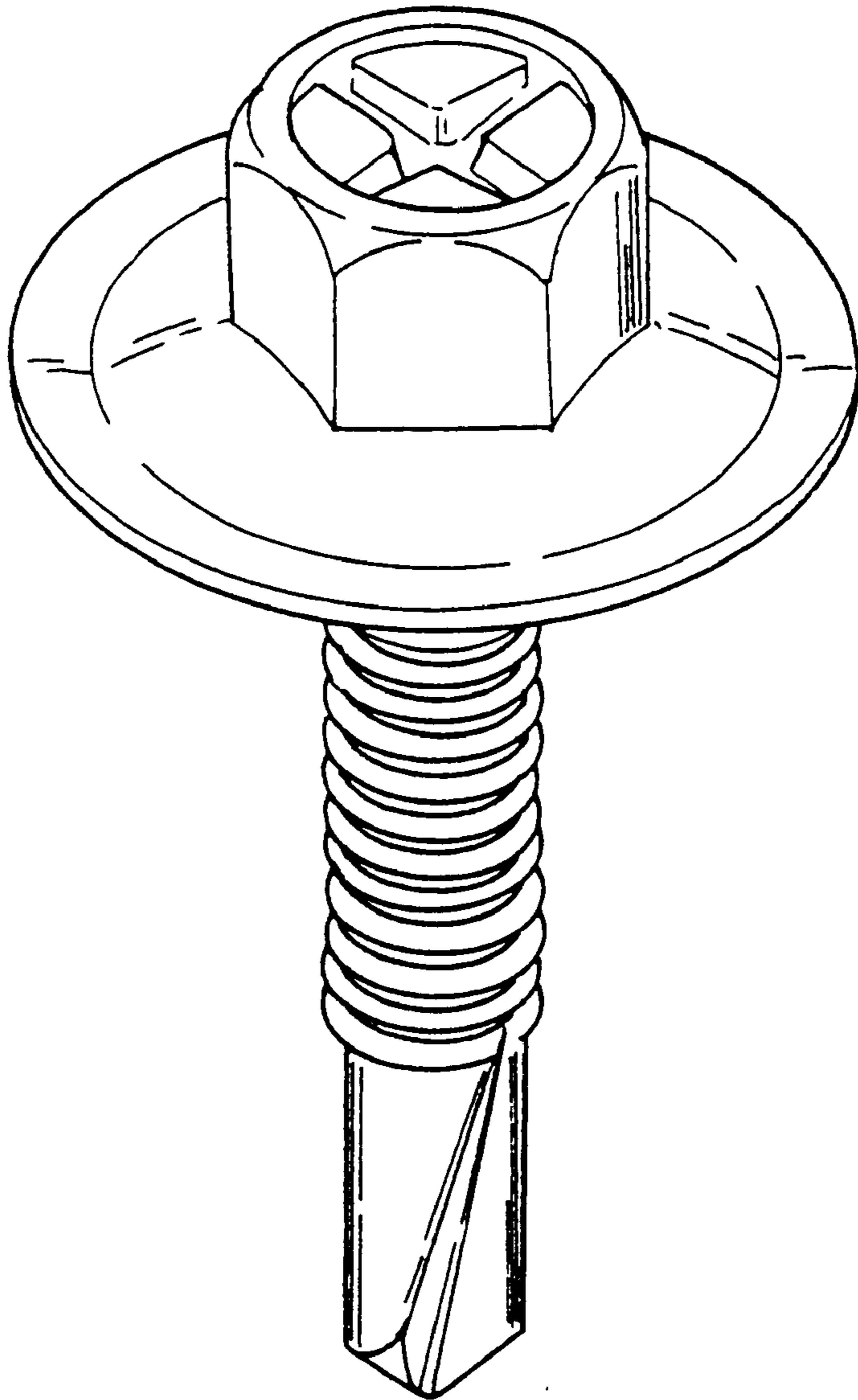


FIG. 1

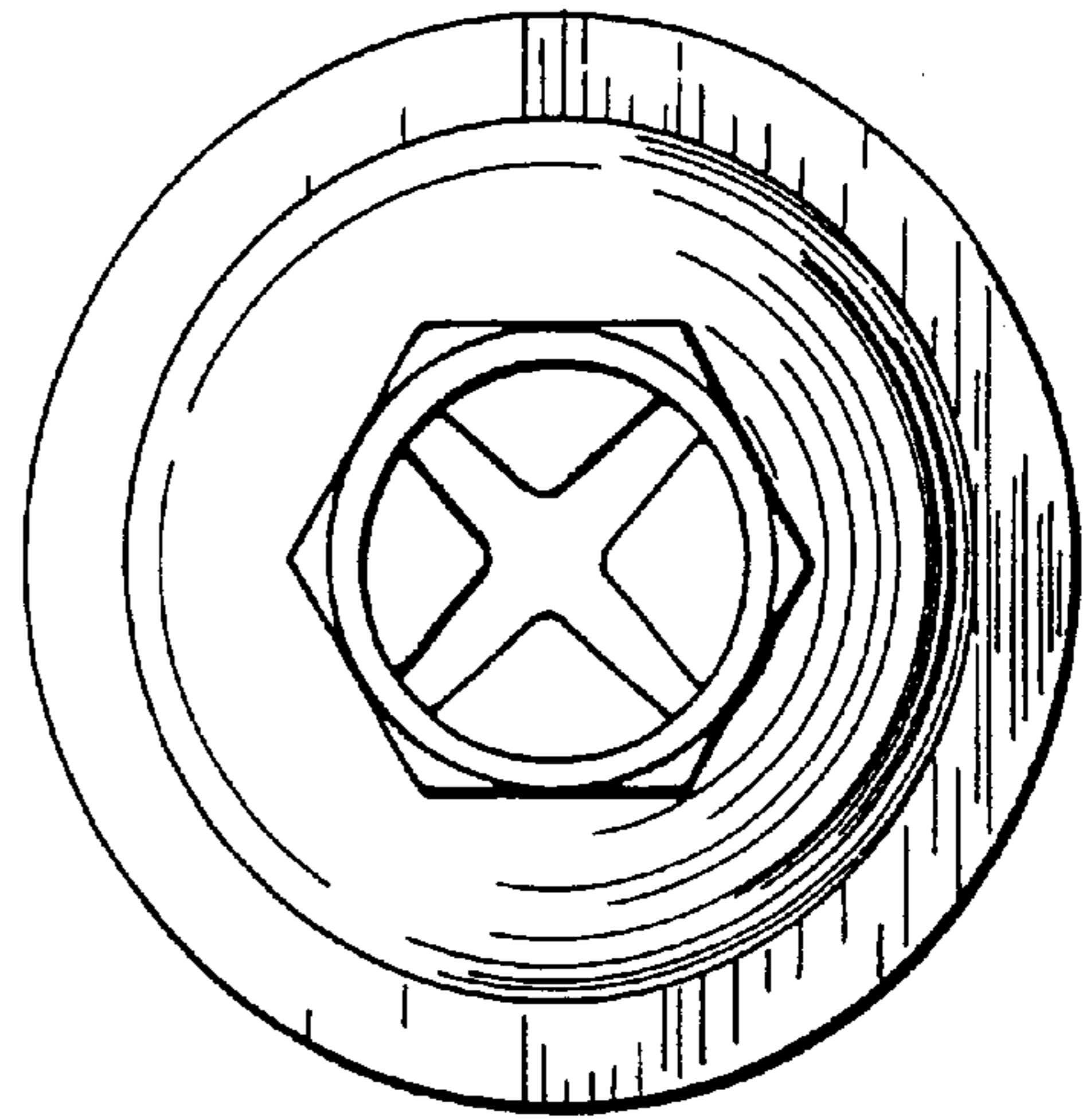


FIG. 2

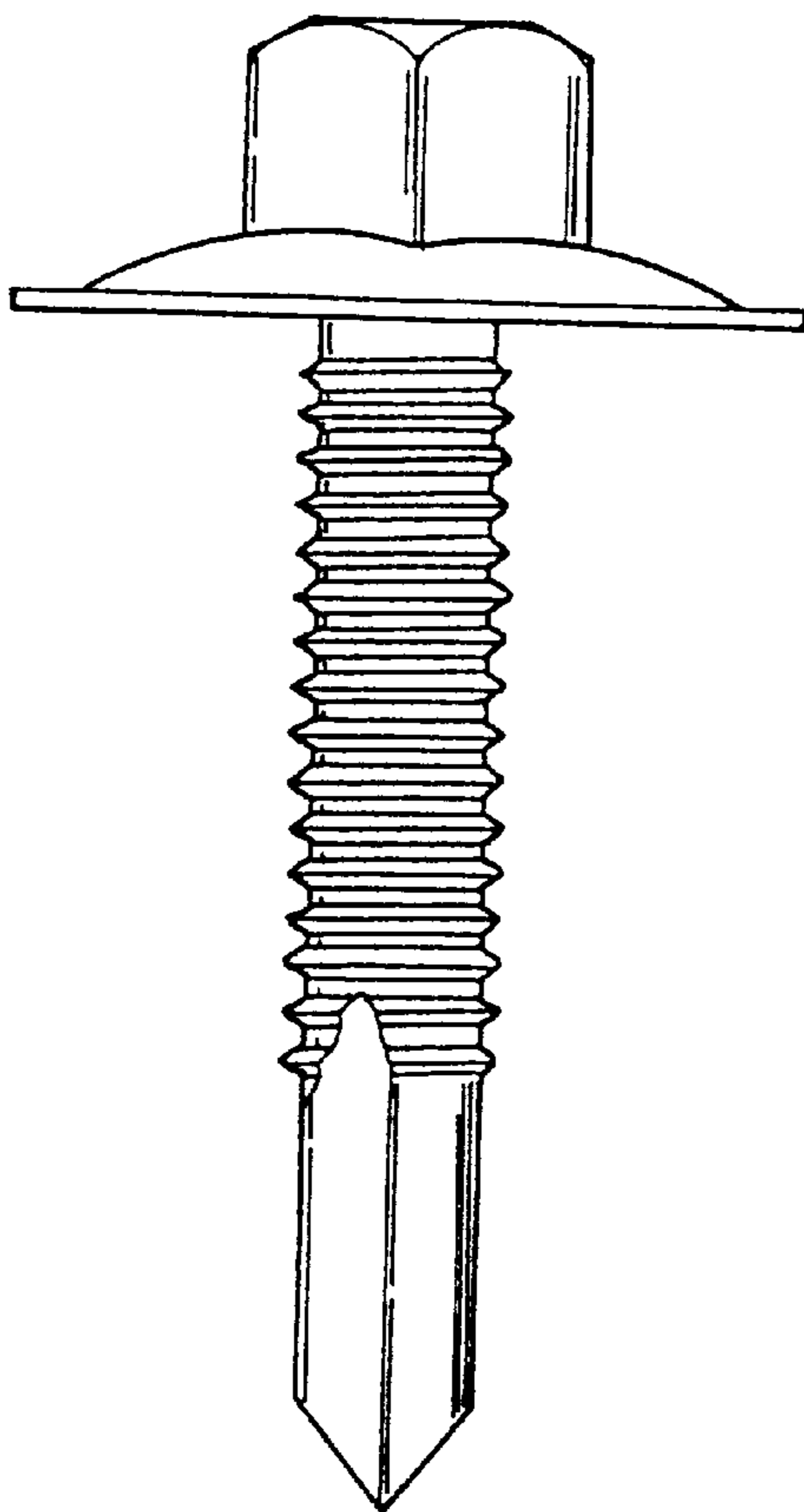


FIG. 3

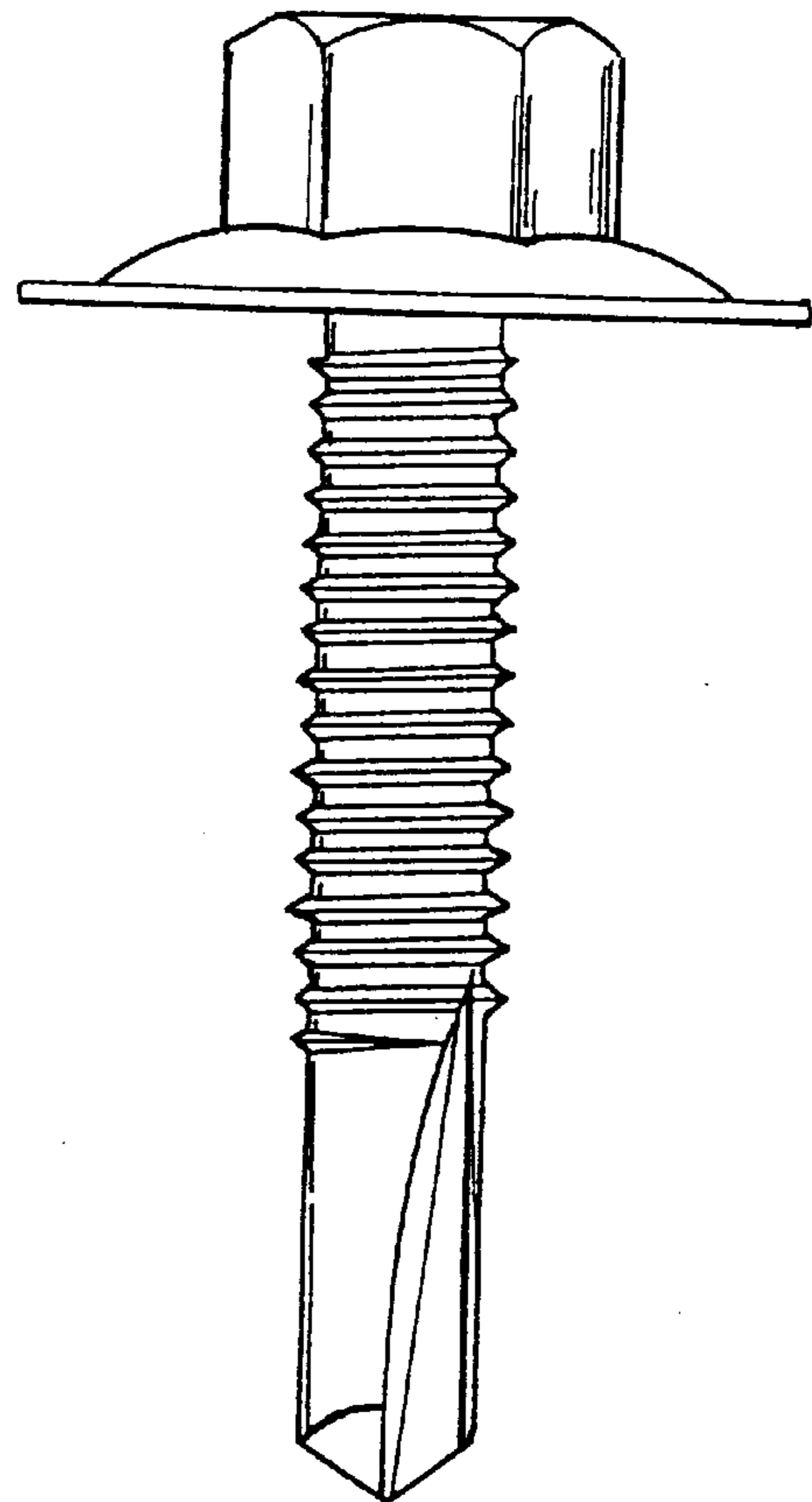


FIG. 4

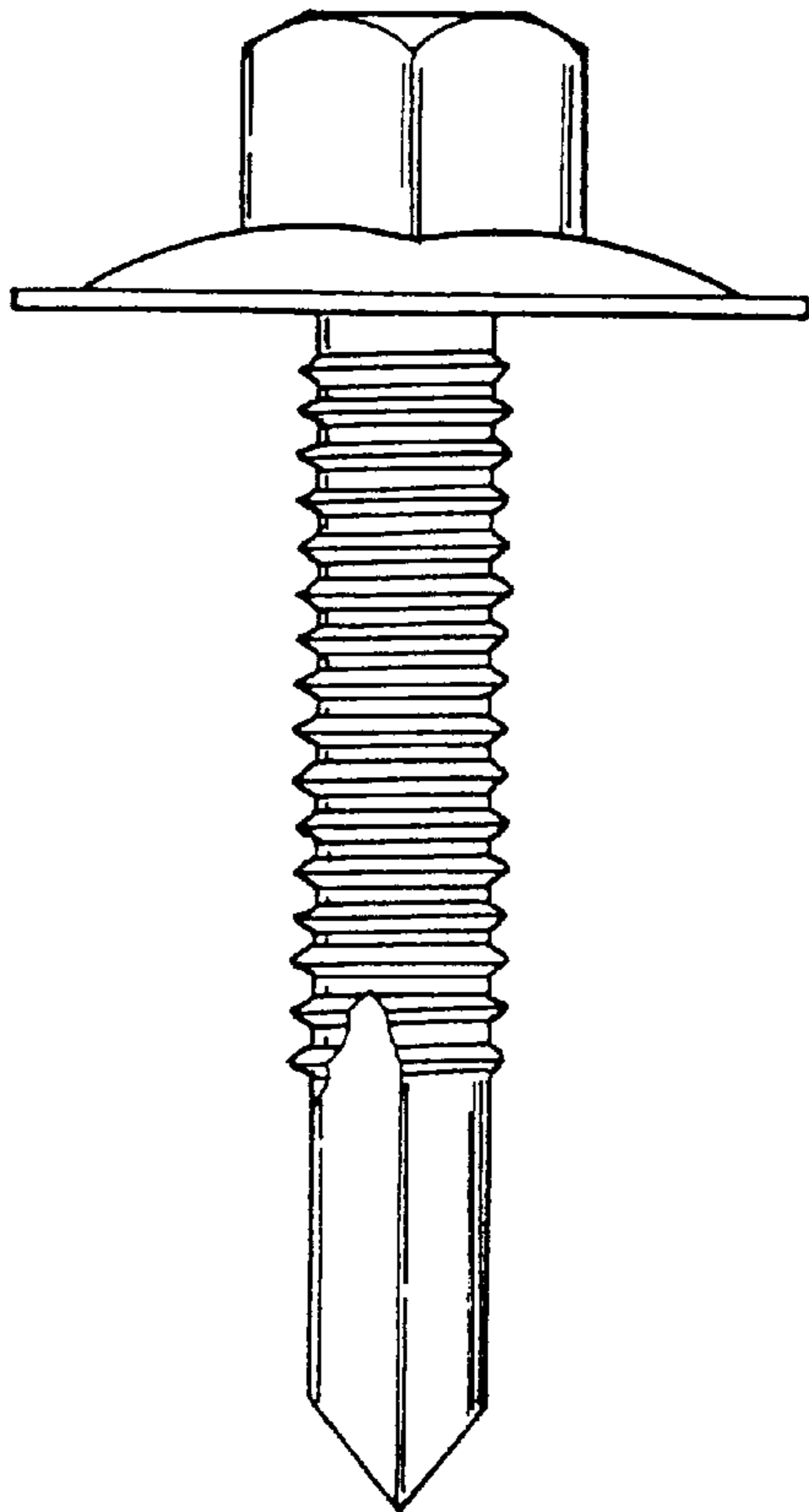


FIG. 5

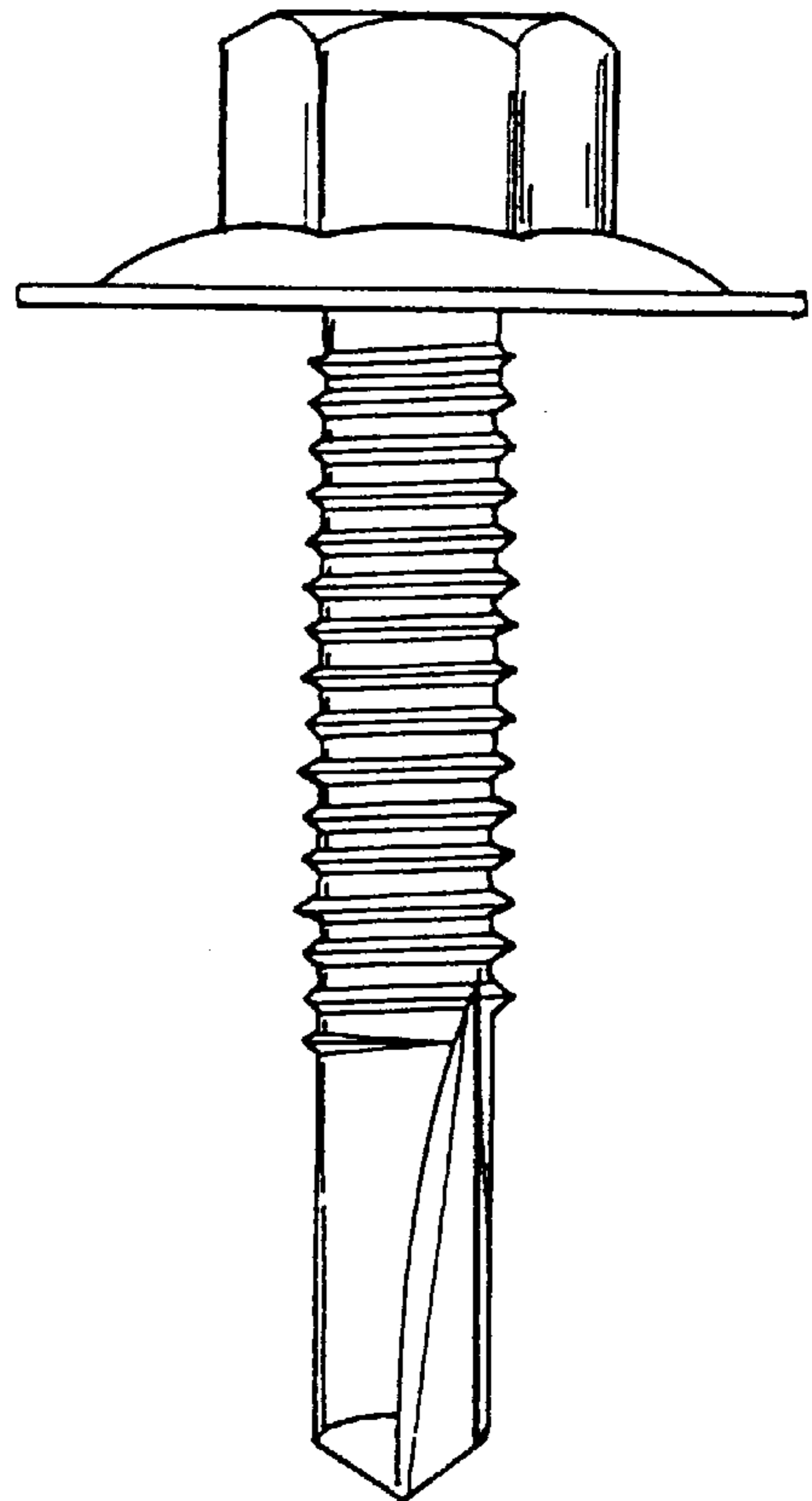


FIG. 6

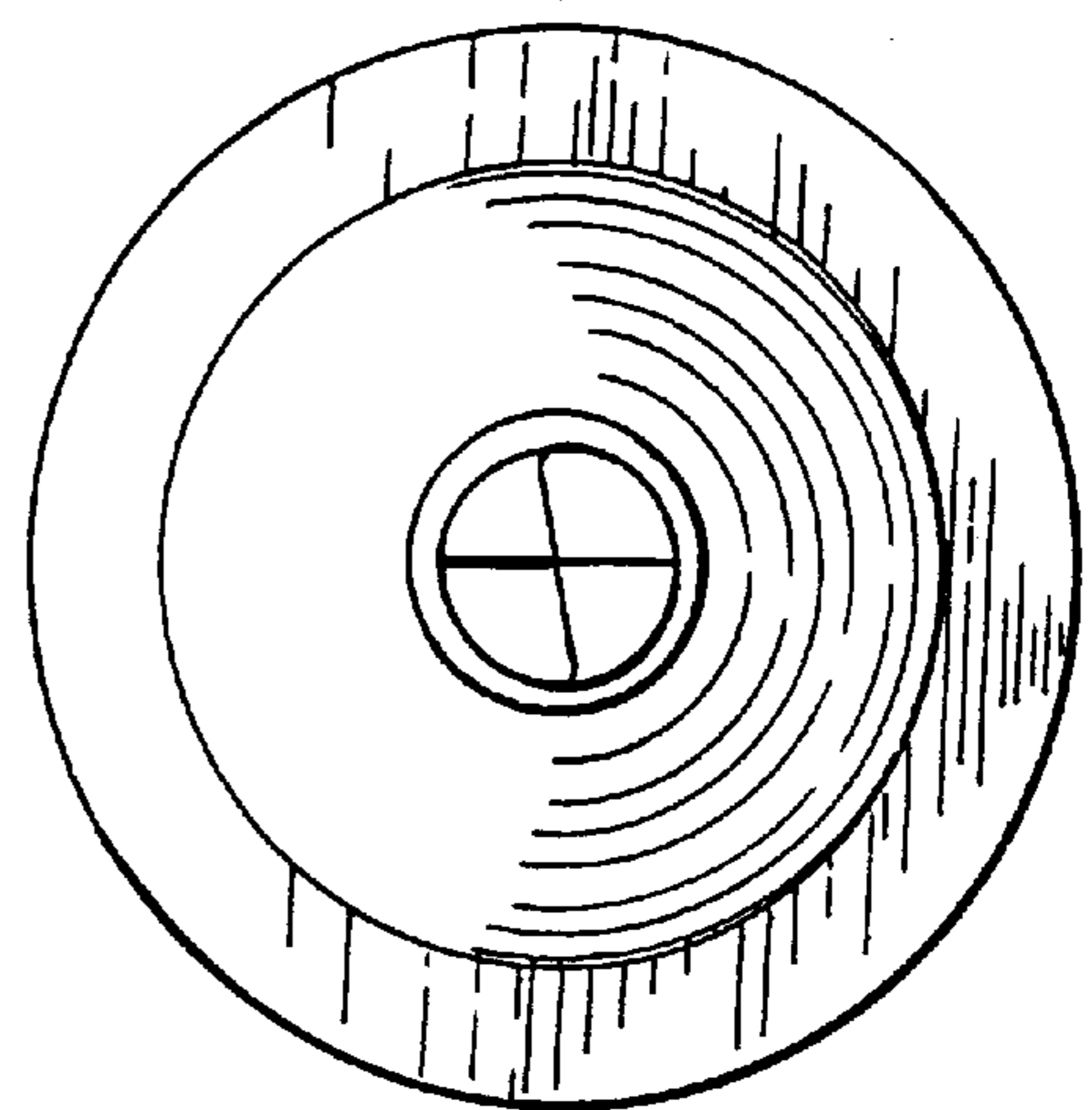


FIG. 7

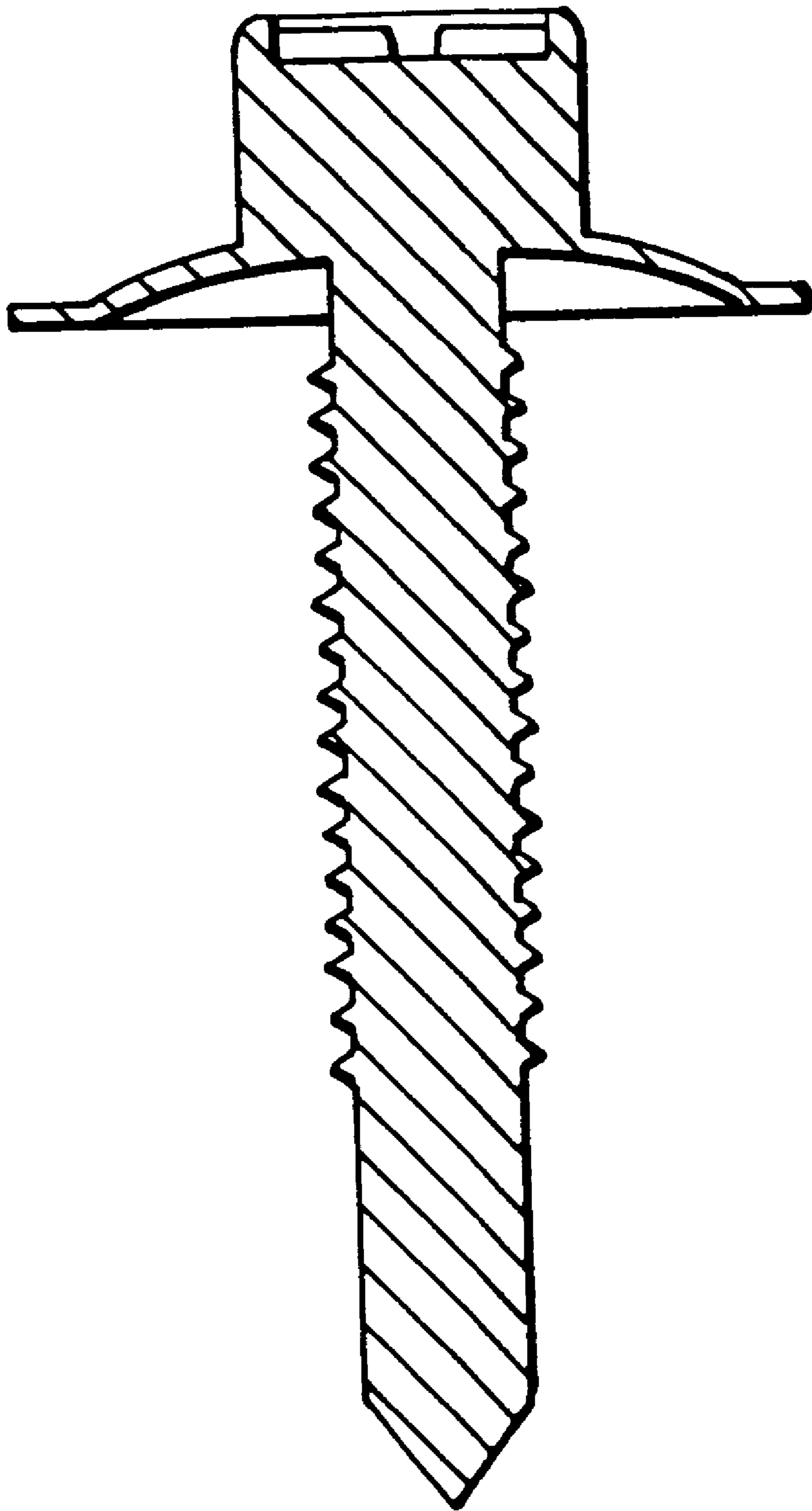


FIG. 8