



US00D418047S

United States Patent [19]
Hirano

[11] **Patent Number: Des. 418,047**

[45] **Date of Patent: ** Dec. 28, 1999**

[54] **JOINT FOR PIPE STRUCTURE**

[75] Inventor: **Seiji Hirano**, Shizuoka, Japan

[73] Assignee: **Yazaki Industrial Chemical Company Limited**, Shizuoka-ken, Japan

[**] Term: **14 Years**

[21] Appl. No.: **29/102,329**

[22] Filed: **Mar. 22, 1999**

[51] **LOC (6) Cl. 08-08**

[52] **U.S. Cl. D8/382**

[58] **Field of Search** D8/382; 403/300,
403/305-306, 205, 312, 388, 217, 169,
170, 173-174; 211/182, 68, 177-178; 248/99;
D23/262-263

[56] **References Cited**

U.S. PATENT DOCUMENTS

D. 348,723	7/1994	Carroll	D23/263
D. 381,573	7/1997	Sabounjian	D8/382
547,400	10/1895	Palmiter	403/300
2,839,320	6/1958	Hill	D8/382 X
3,502,357	3/1970	Wagner	403/205
5,150,980	9/1992	Lin	403/205 X

Primary Examiner—Holly Baynham

Attorney, Agent, or Firm—Eric P. Schellin

[57] **CLAIM**

The ornamental design for a joint for pipe structure, as shown and described.

DESCRIPTION

FIG. 1 is a Top, front, and right side perspective view of a joint for pipe structure showing my new design;
 FIG. 2 is a Top plan view (of which a bottom plan view would be a mirror image);
 FIG. 3 is a front elevational view;
 FIG. 4 is a right side elevational view;
 FIG. 5 is a rear elevational view;
 FIG. 6 is a left side elevational view;
 FIG. 7 is a cross sectional view taken in the direction of the arrows on line VII—VII of FIG. 2;
 FIG. 8 is a cross sectional view taken in the direction of the arrows on line VIII—VIII of FIG. 3;
 FIG. 9 is a cross sectional view taken in the direction of the arrows on line IX—IX of FIG. 3;
 FIG. 10 is a Top, front, and right side perspective view with the pipe being for illustrative purposes only; and,
 FIG. 11 is a reduced perspective view, the dashed-and-two-dotted lines showing of the joints for the pipe structure and additional joints for the pipe structure being for illustrative purposes only.

1 Claim, 5 Drawing Sheets

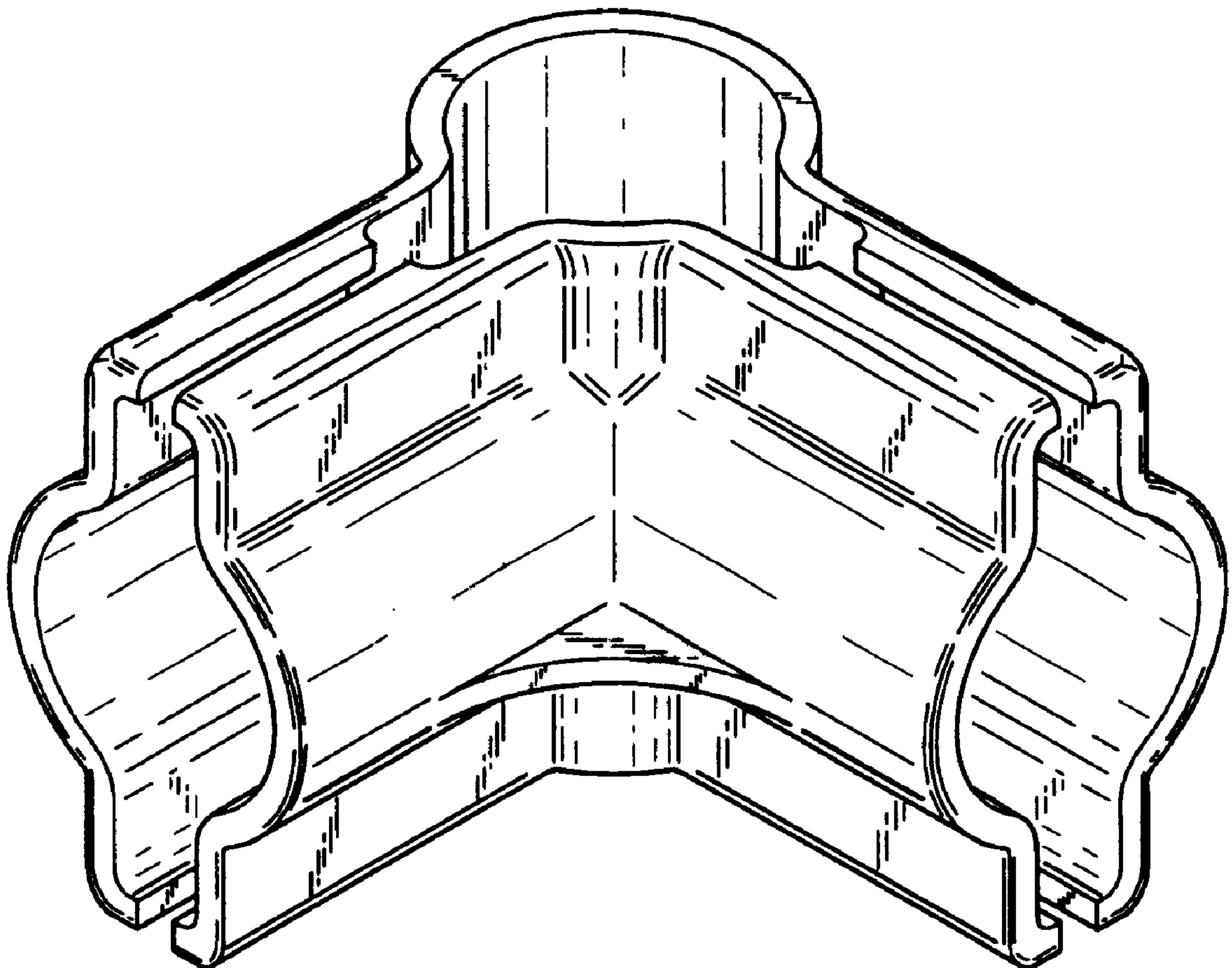


FIG. 1

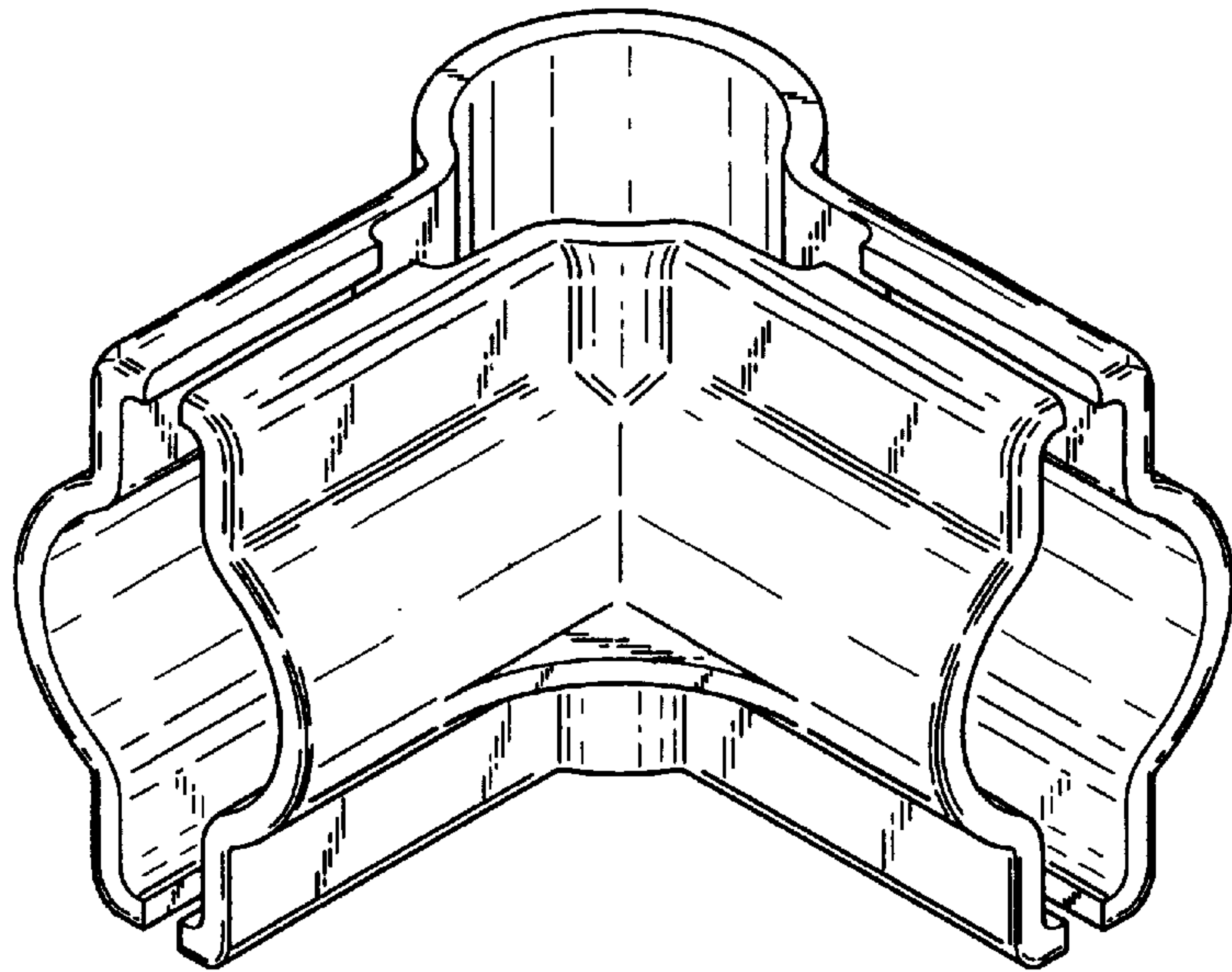


FIG. 2

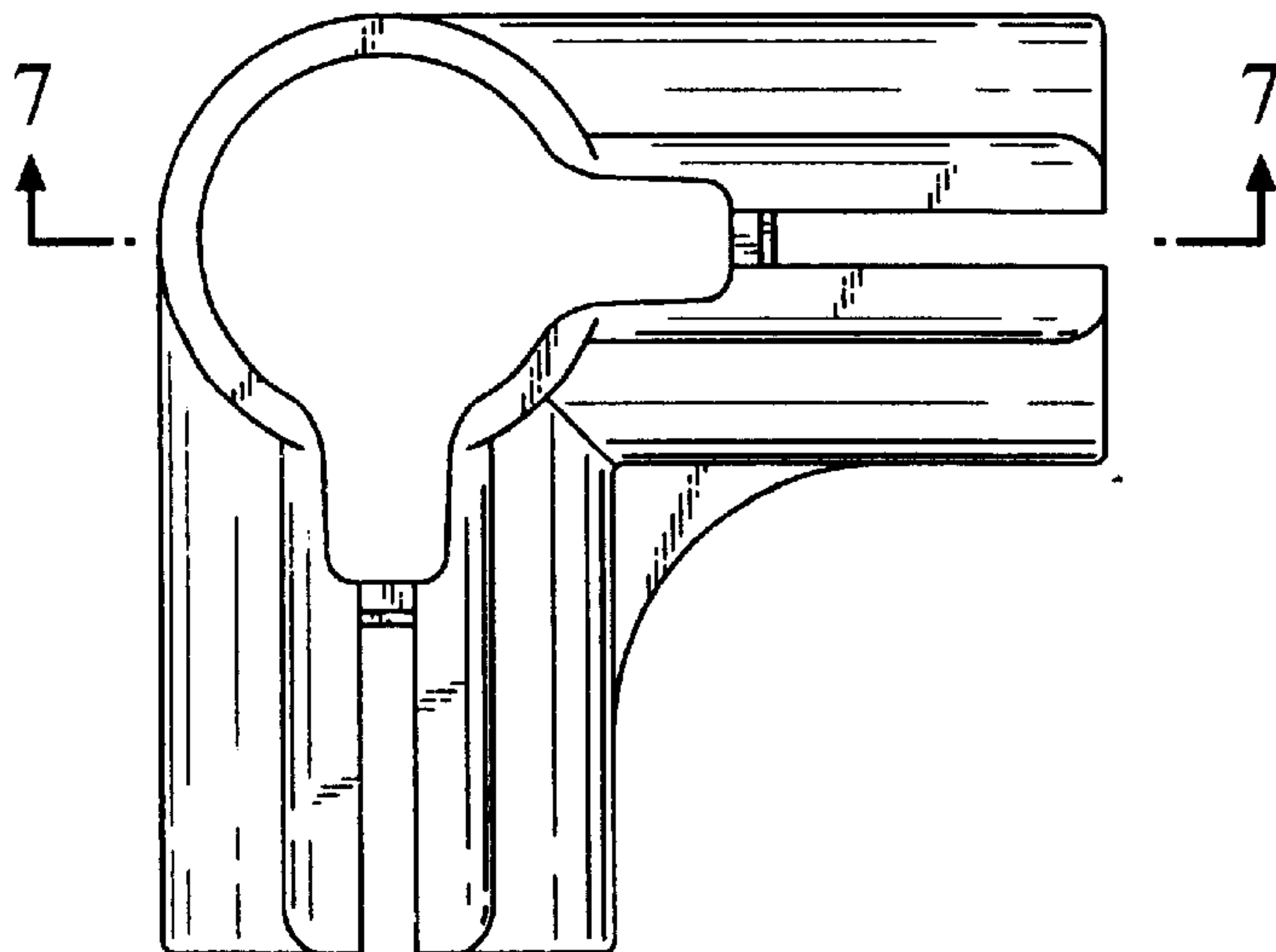


FIG. 3

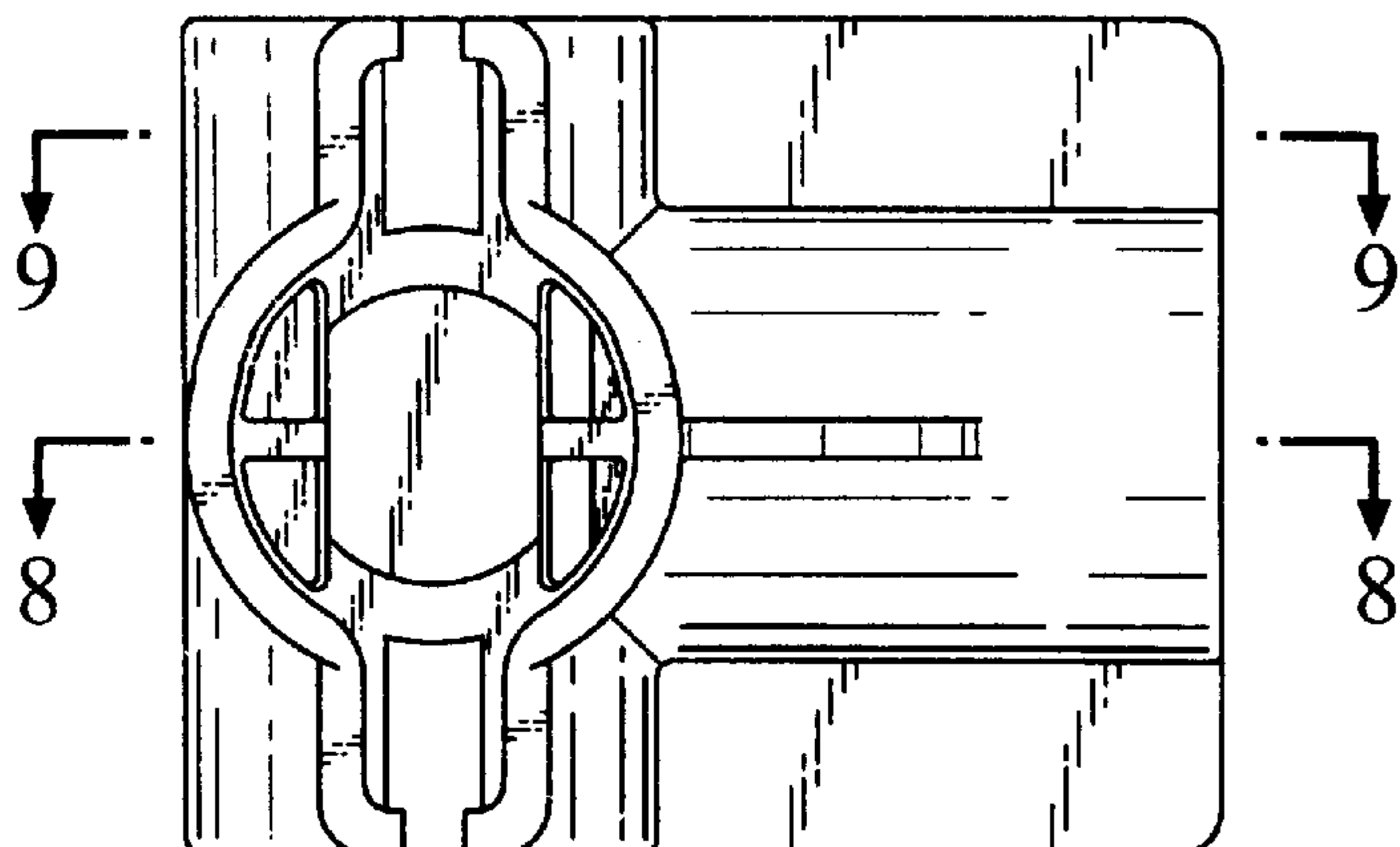


FIG. 4

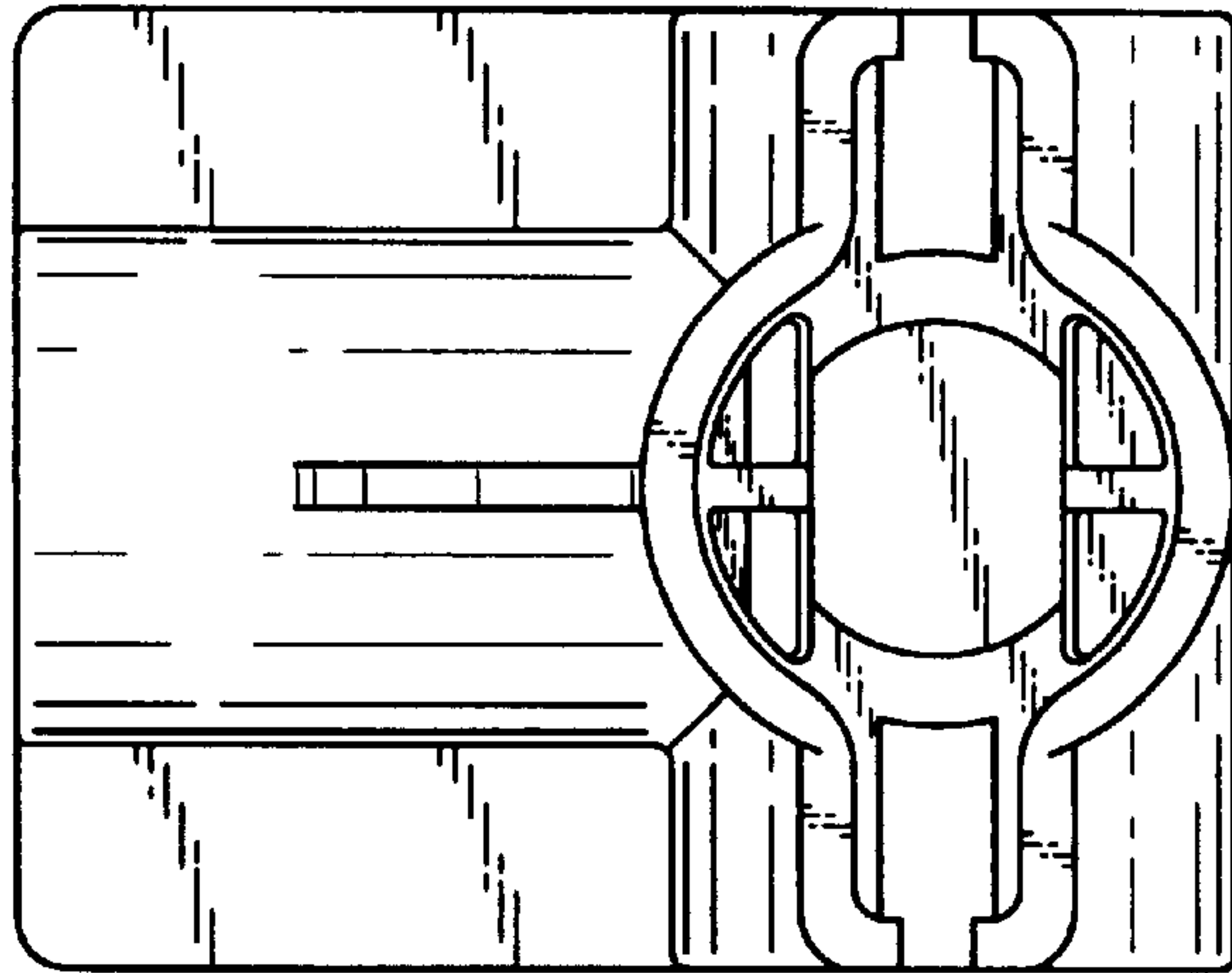


FIG. 5

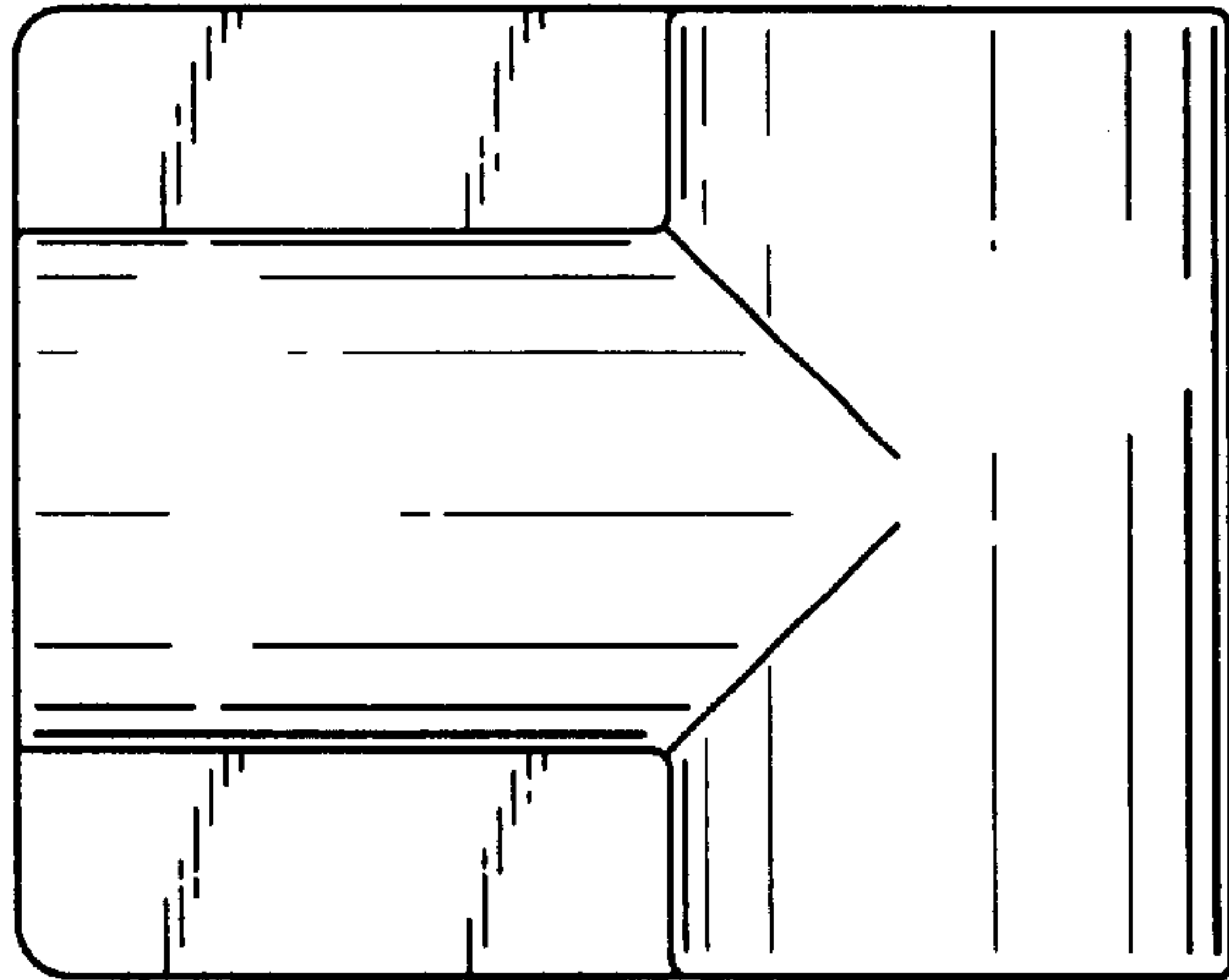


FIG. 6

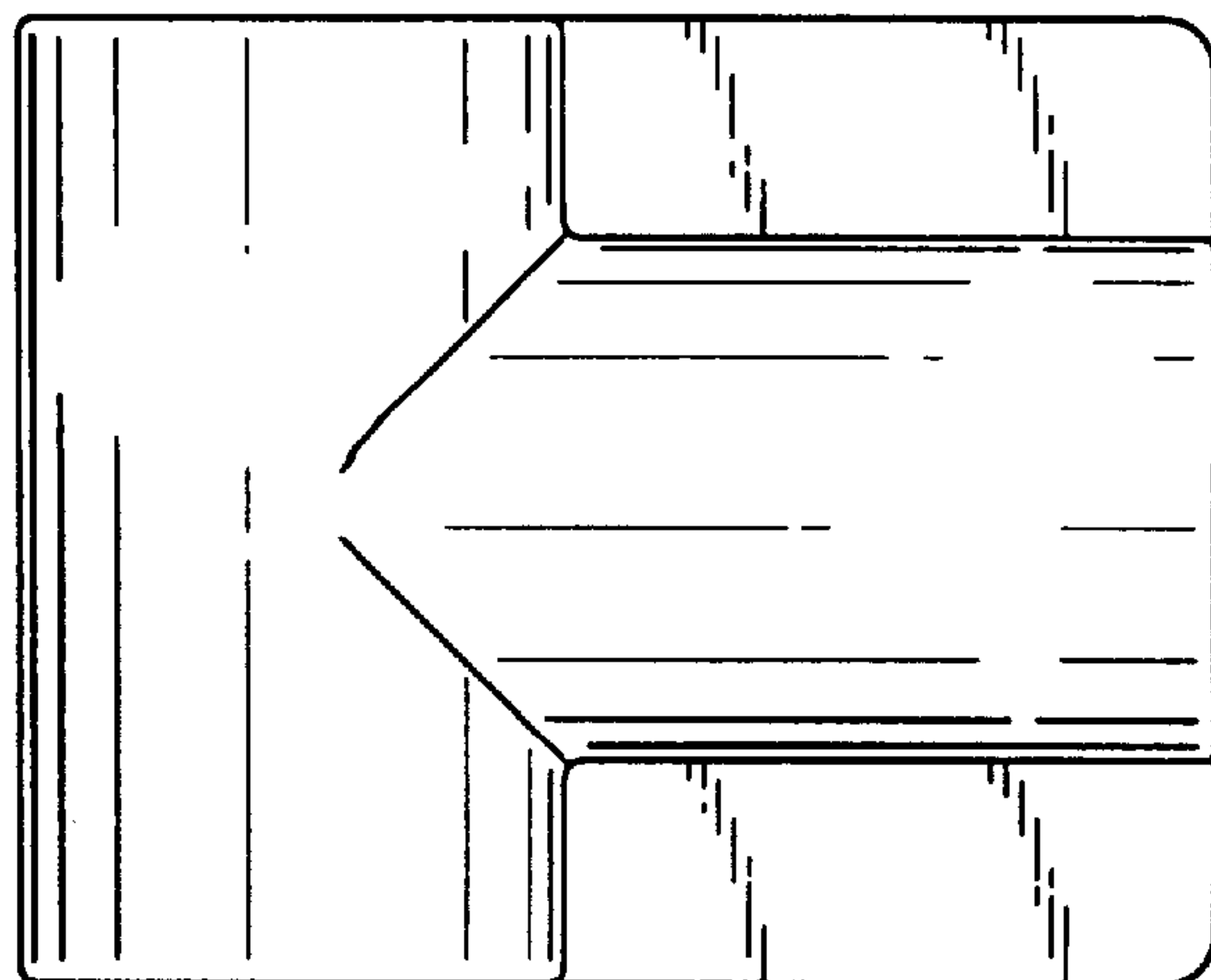


FIG. 7

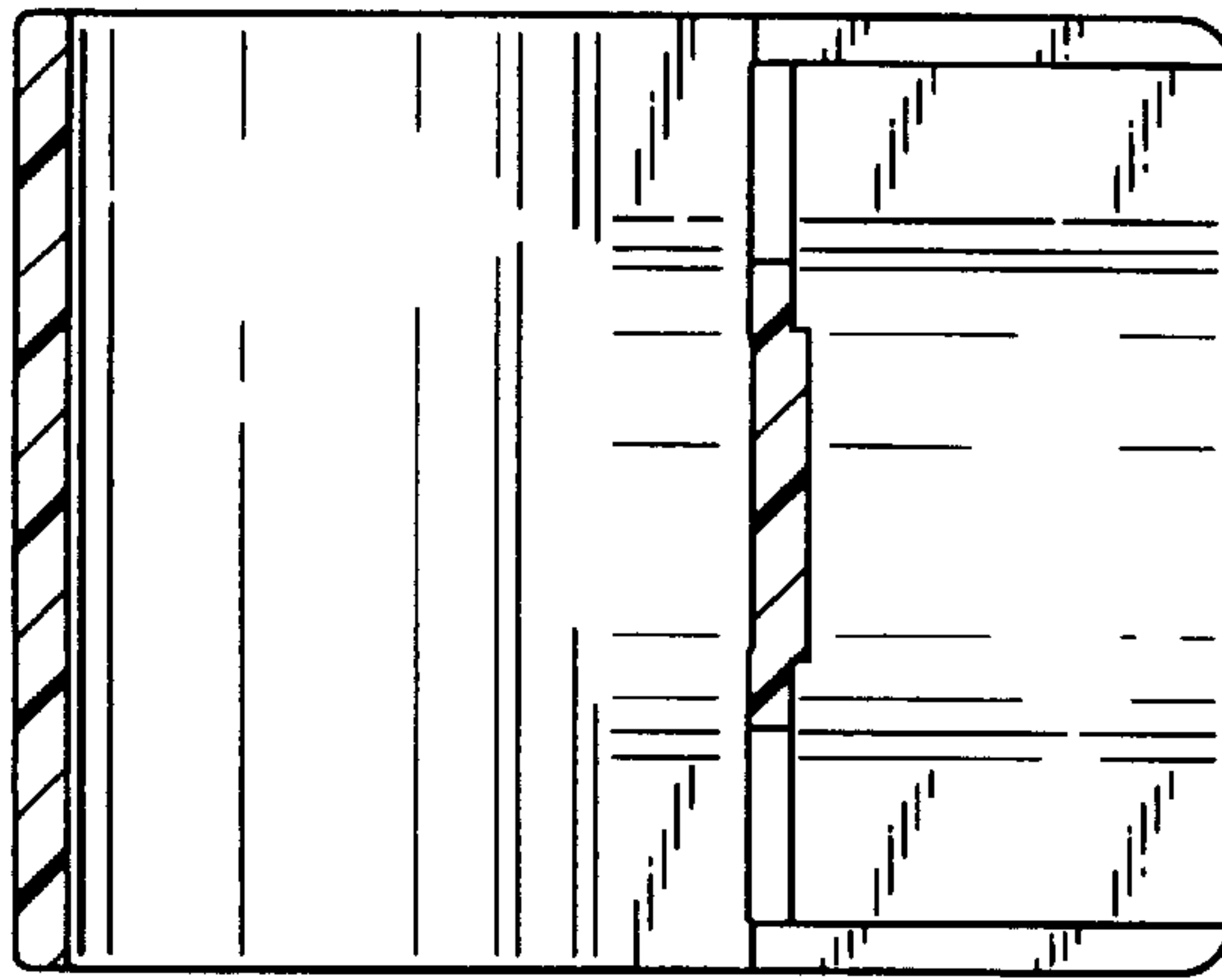


FIG. 8

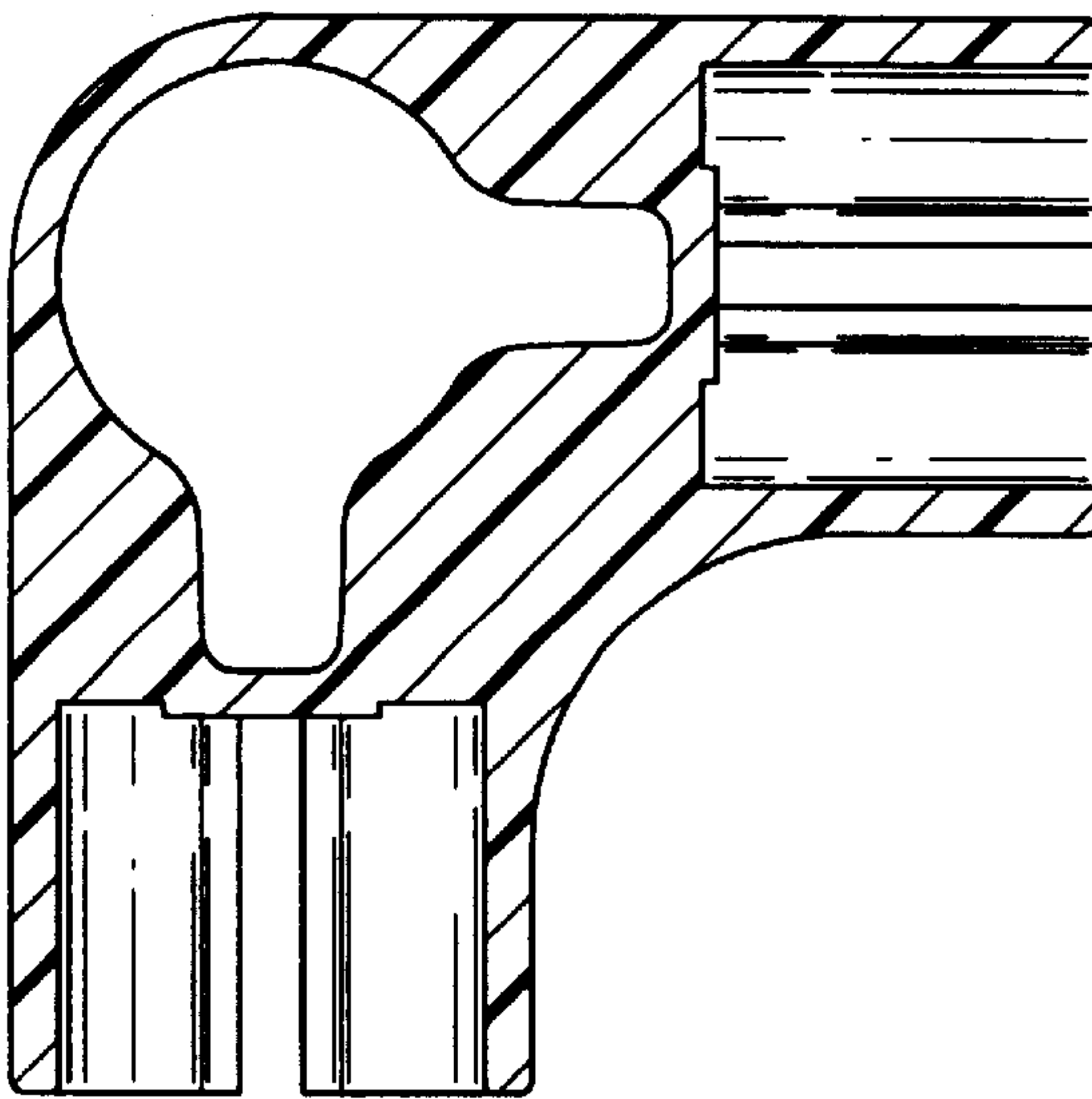


FIG. 9

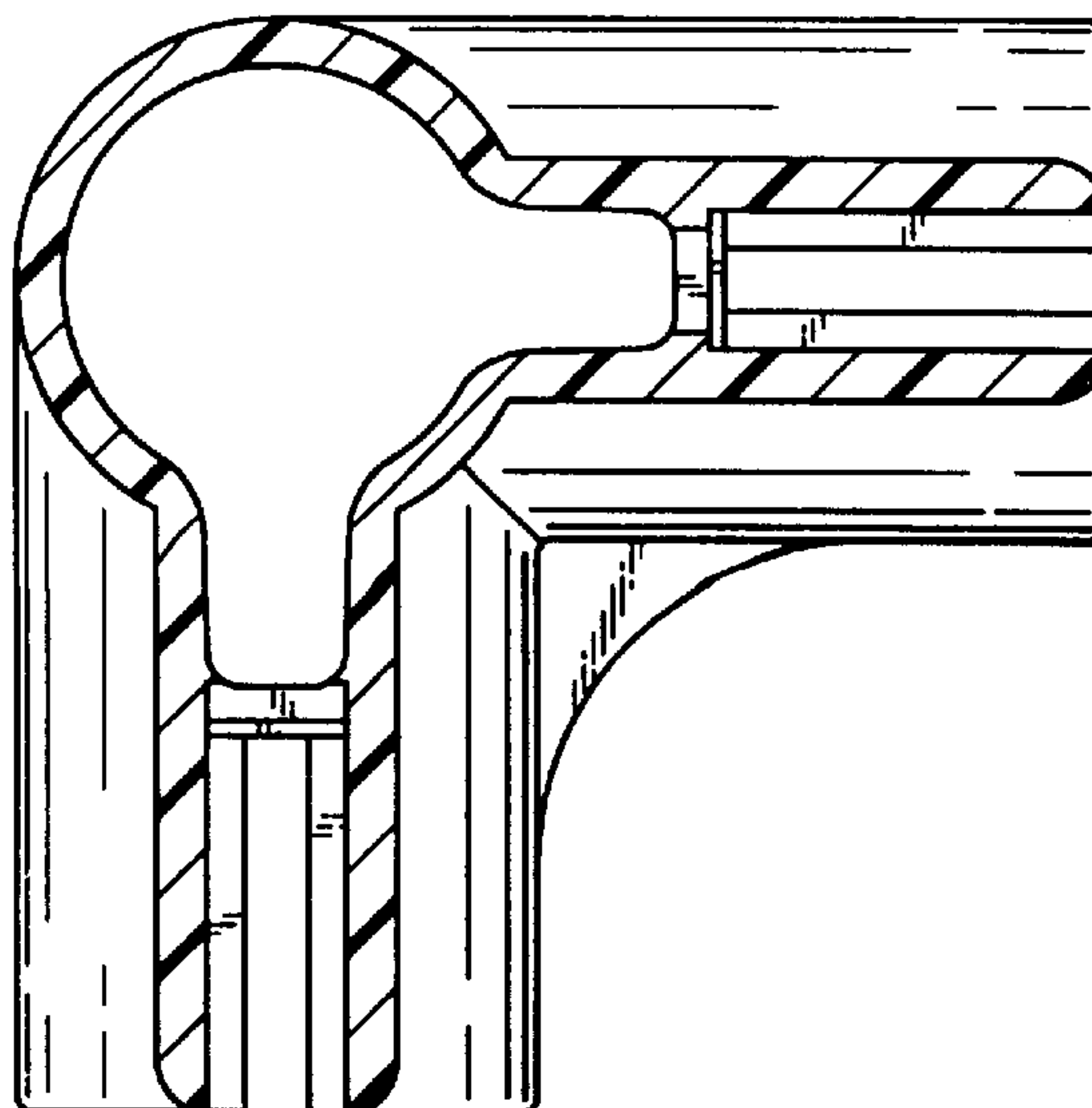


FIG. 10

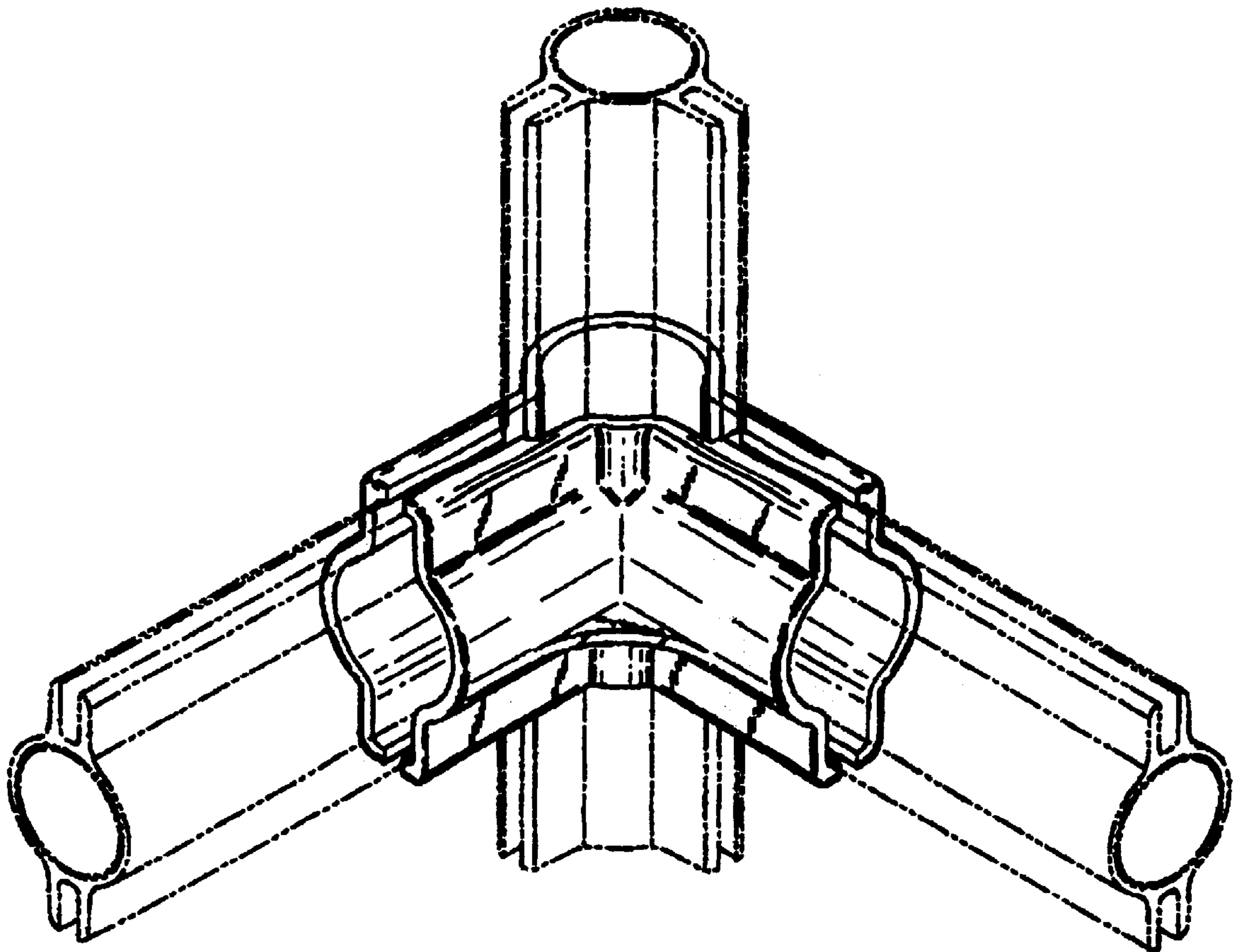


FIG. 11

