



US00D418045S

United States Patent [19] Lin

[11] **Patent Number: Des. 418,045**

[45] **Date of Patent: ** Dec. 28, 1999**

[54] **CD SHELF WITH ILLUMINATOR**

[76] Inventor: **Wen-Yung Lin**, 8F-1, No. 37, Lane 187, Sec. 1, Tun-Hwa S. Road, Taipei, Taiwan

[**] Term: **14 Years**

[21] Appl. No.: **29/090,672**

[22] Filed: **Jul. 14, 1998**

[51] **LOC (6) Cl.** **08-05**

[52] **U.S. Cl.** **D8/363; D26/51; D6/399**

[58] **Field of Search** D26/60-66; D14/114, D14/156; D8/363, 373; 362/269, 274, 277, 285, 418, 419, 427; 248/670, 235, 312, 241, 274.1, 284.1, 281.11, 291.1; D6/399

[56] **References Cited**

U.S. PATENT DOCUMENTS

D. 270,399 9/1983 Miller D6/399
D. 349,640 8/1994 Whitaker D8/363

D. 356,940 4/1995 Vogels D8/363
D. 363,065 10/1995 Karten et al. D14/114
D. 374,000 9/1996 Wood et al. D14/114
D. 376,590 12/1996 Kao et al. D14/114
D. 379,426 5/1997 Vogels D8/363

Primary Examiner—Freda Nunn
Attorney, Agent, or Firm—Rosenberg, Klein & Lee

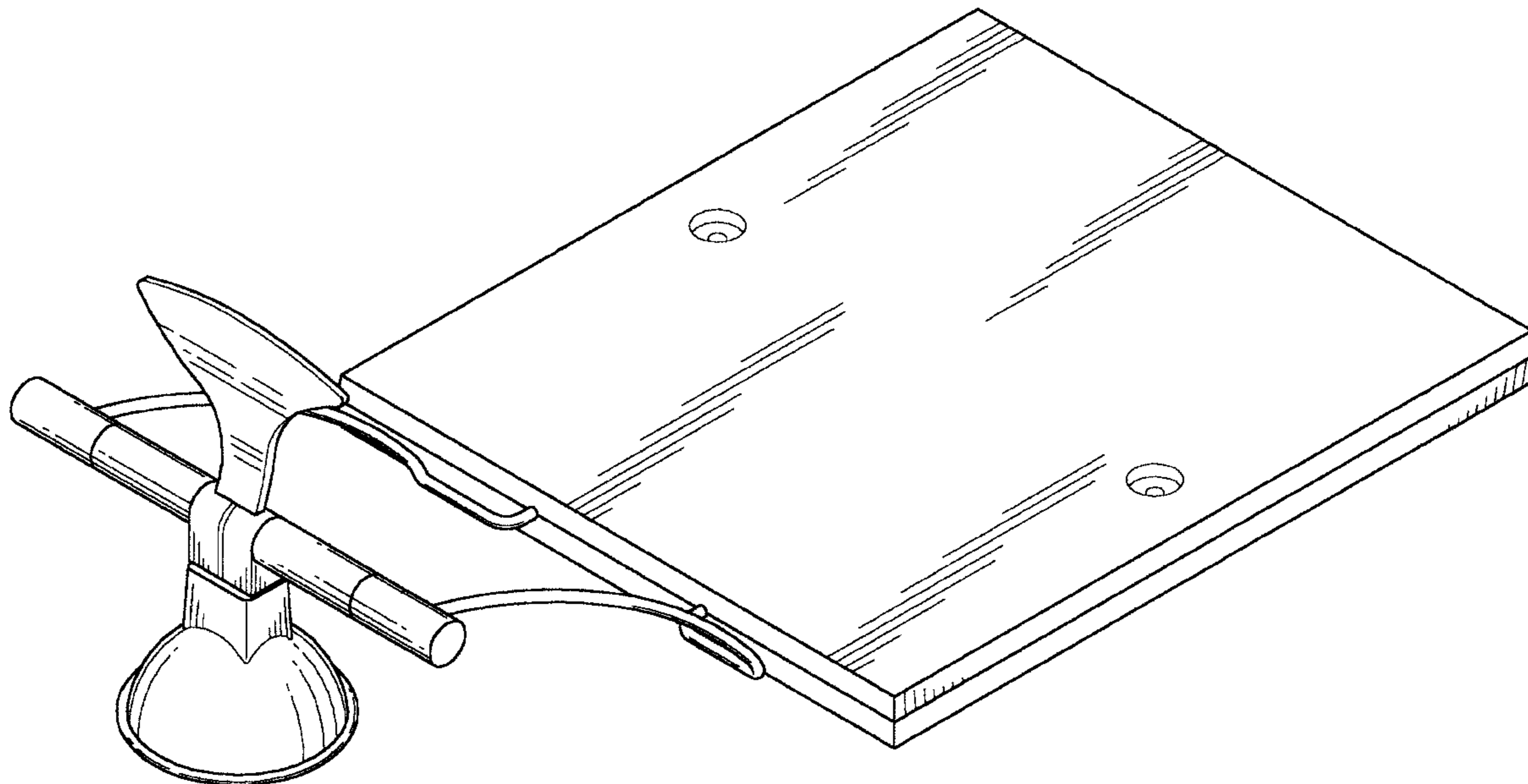
[57] **CLAIM**

The ornamental design for a CD shelf with illuminator, as shown and described.

DESCRIPTION

FIG. 1 is a perspective view of a CD shelf with illuminator embodying my design;
FIG. 2 is a front elevational view thereof;
FIG. 3 is a rear elevational view thereof;
FIG. 4 is a left elevational view thereof;
FIG. 5 is a right elevational view thereof;
FIG. 6 is a top view thereof; and,
FIG. 7 is a bottom view thereof.

1 Claim, 7 Drawing Sheets



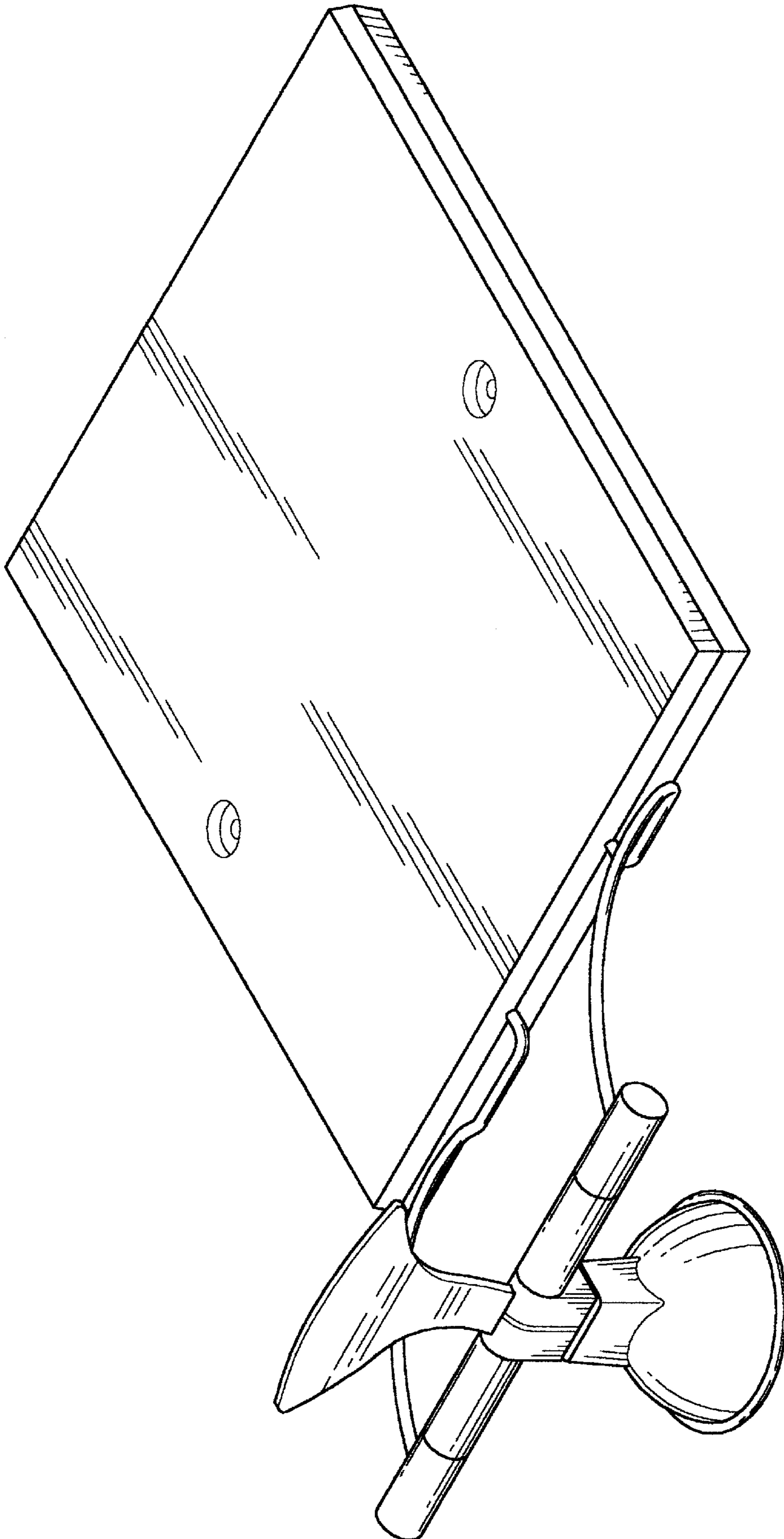


FIG.1

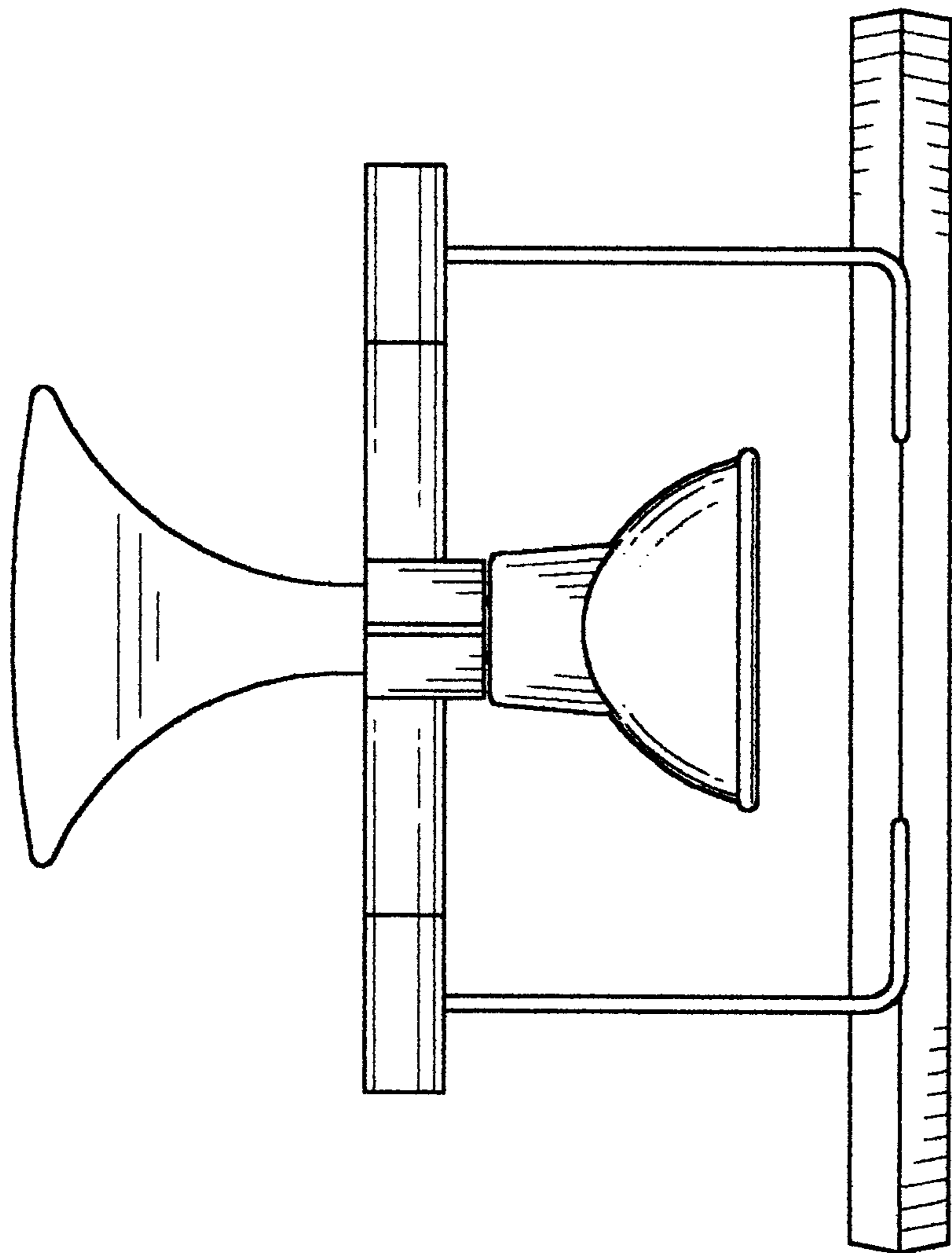


FIG. 2

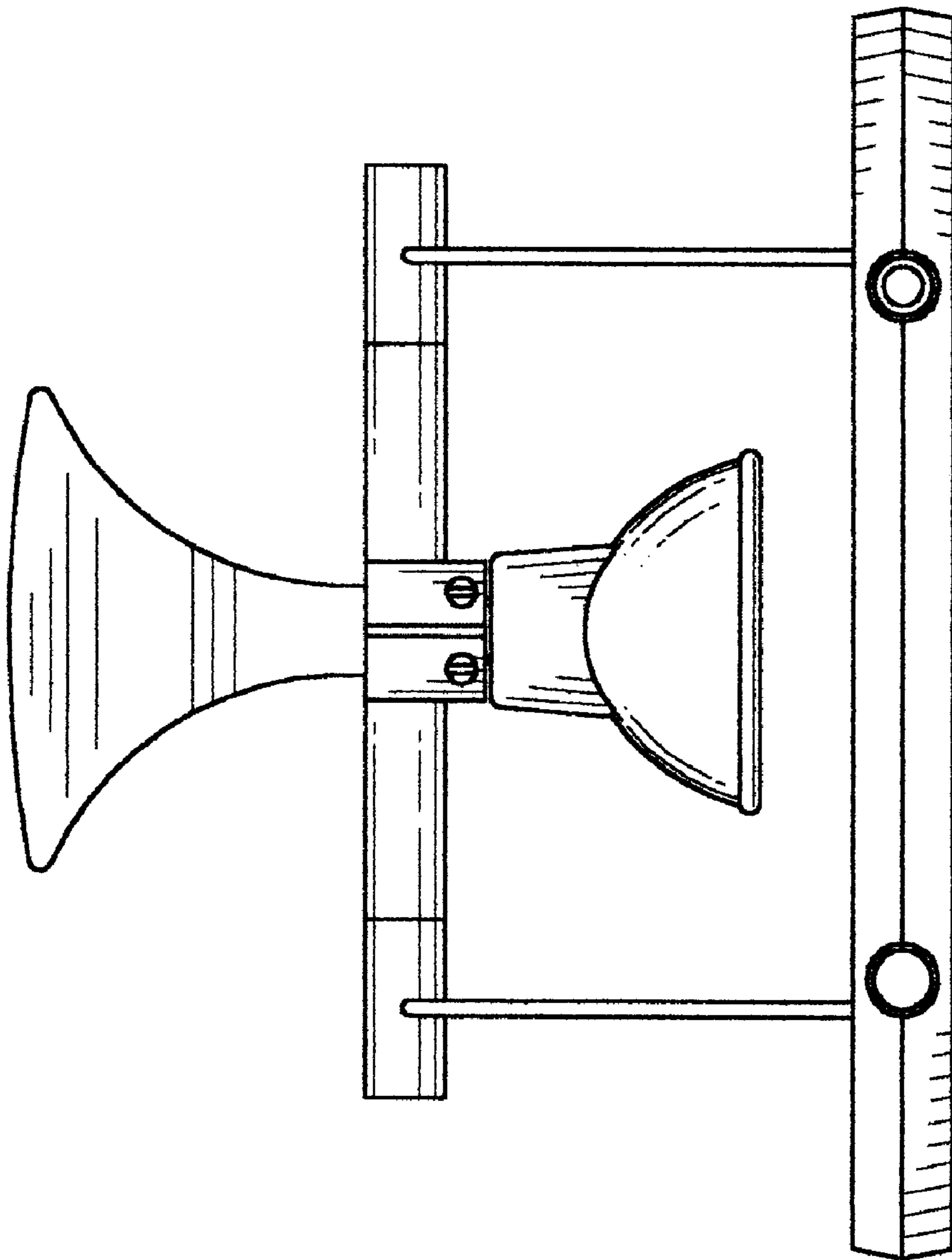


FIG. 3

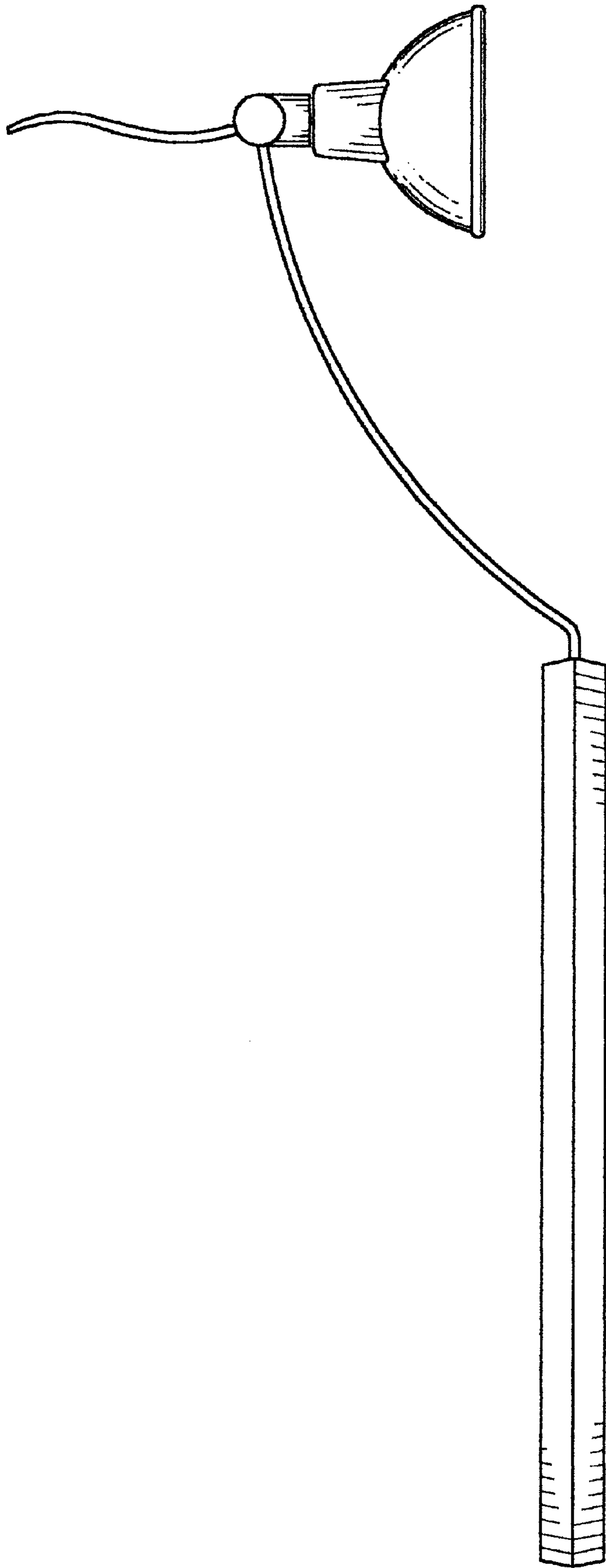


FIG. 4

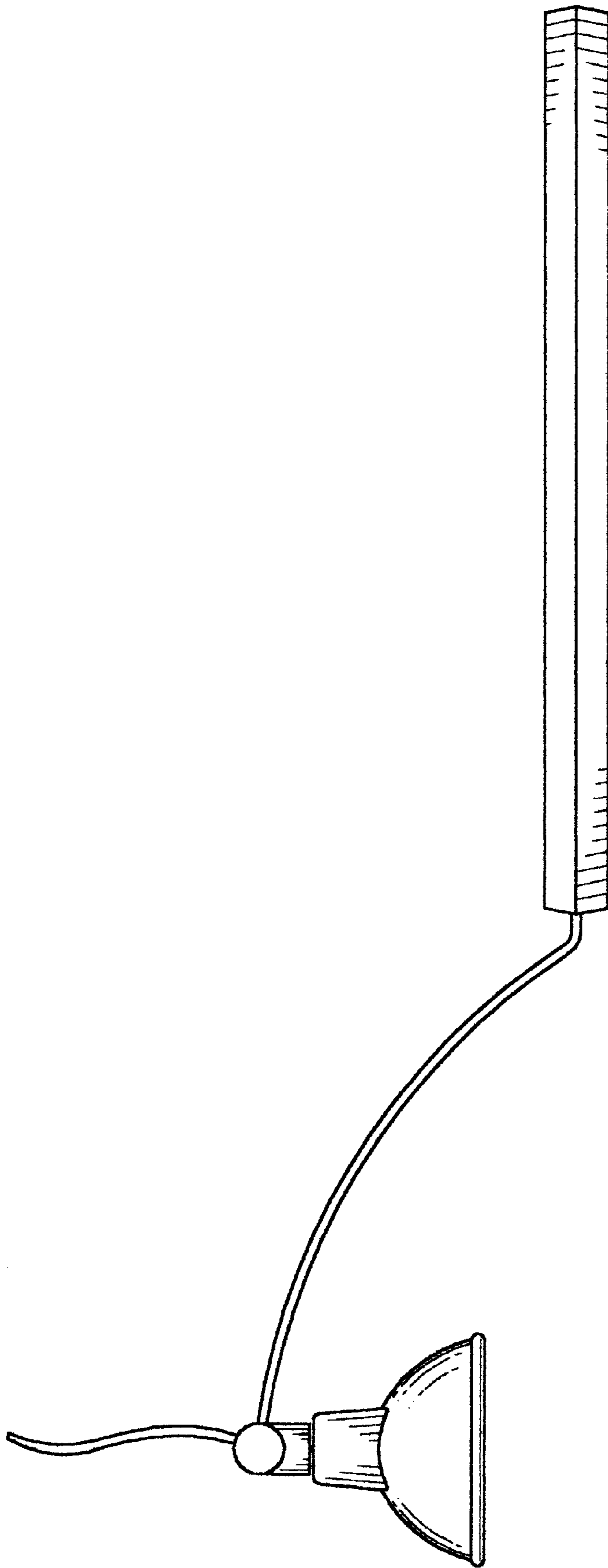


FIG. 5

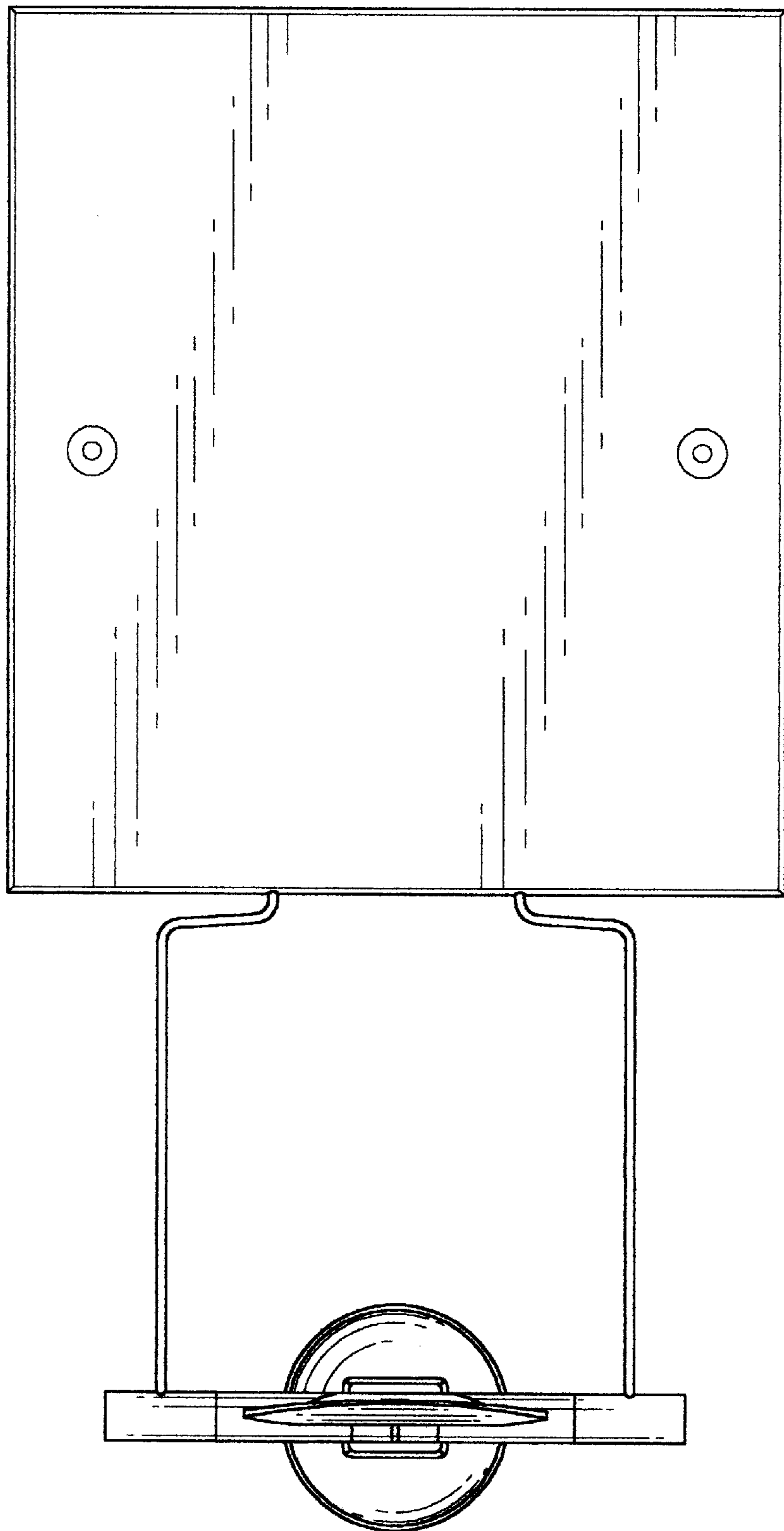


FIG. 6

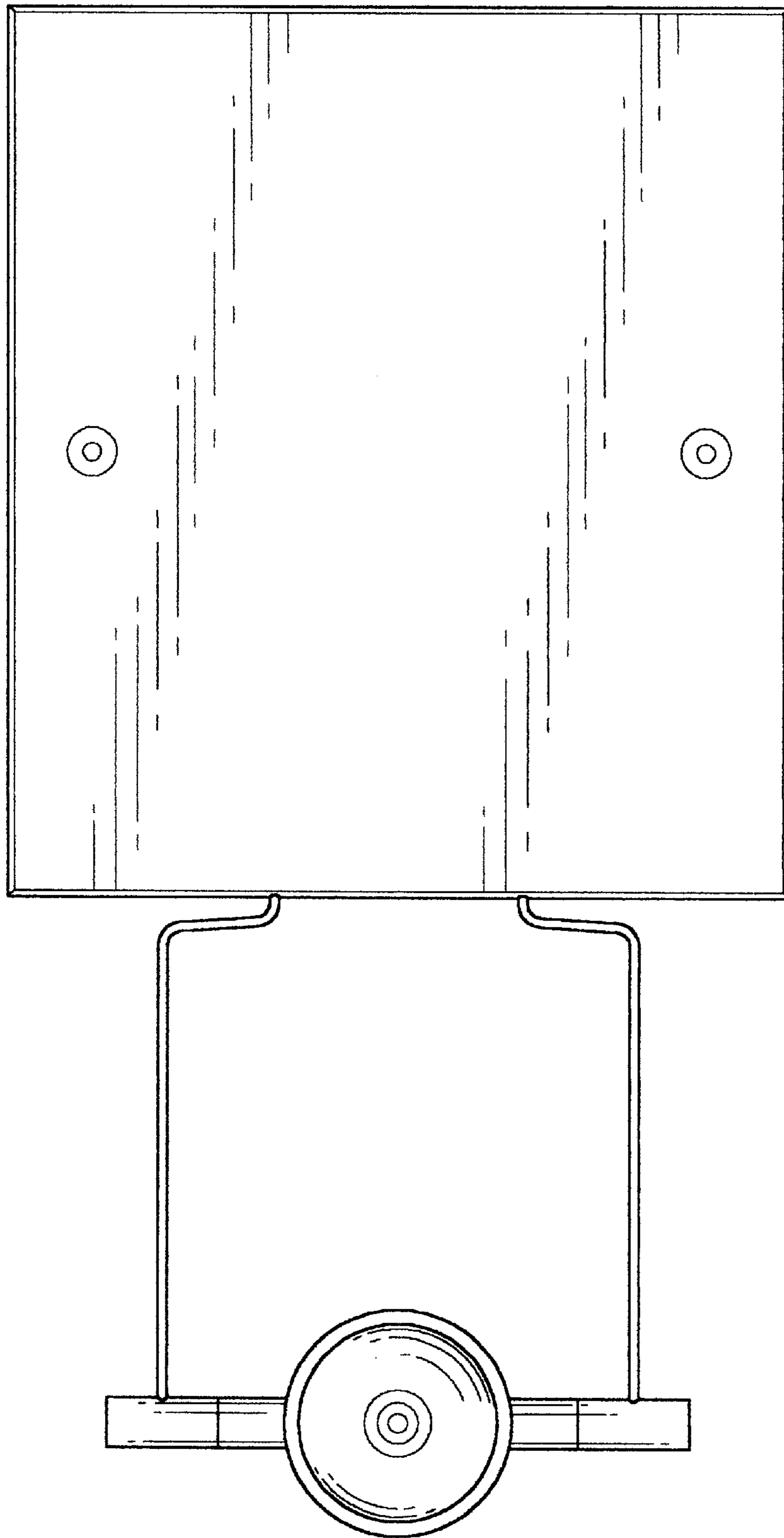


FIG. 7