



US00D418042S

United States Patent [19]

Allen et al.

[11] Patent Number: **Des. 418,042**

[45] Date of Patent: **** Dec. 28, 1999**

[54] **LATCH SYSTEM**

[75] Inventors: **Paul Allen; Robert E. Dilgard; John D. Horning**, all of Cincinnati, Ohio

[73] Assignee: **Synsor Corporation**, Everett, Wash.

[**] Term: **14 Years**

[21] Appl. No.: **29/080,772**

[22] Filed: **Dec. 16, 1997**

[51] **LOC (6) Cl.** **08-07**

[52] **U.S. Cl.** **D8/336; D8/331**

[58] **Field of Search** D8/330, 331, 341,
D8/336, 343, 339; 16/231; 292/240, 194,
213

[56] **References Cited**

U.S. PATENT DOCUMENTS

D. 371,503 7/1996 Nakano D8/331

Primary Examiner—Susan J. Lucas
Assistant Examiner—Jennifer Rivard
Attorney, Agent, or Firm—Jensen & Puntigam, P.S.

[57] **CLAIM**

The ornamental design for a latch system, as shown and described.

DESCRIPTION

FIG. 1 is a an isometric view of the latch system showing our new design;

FIG. 2 is a side elevational view thereof;

FIG. 3 is a front elevational view thereof;

FIG. 4 is a side elevational view thereof, opposite to the side shown in FIG. 2; and,

FIG. 5 is a rear elevational view thereof.

1 Claim, 2 Drawing Sheets

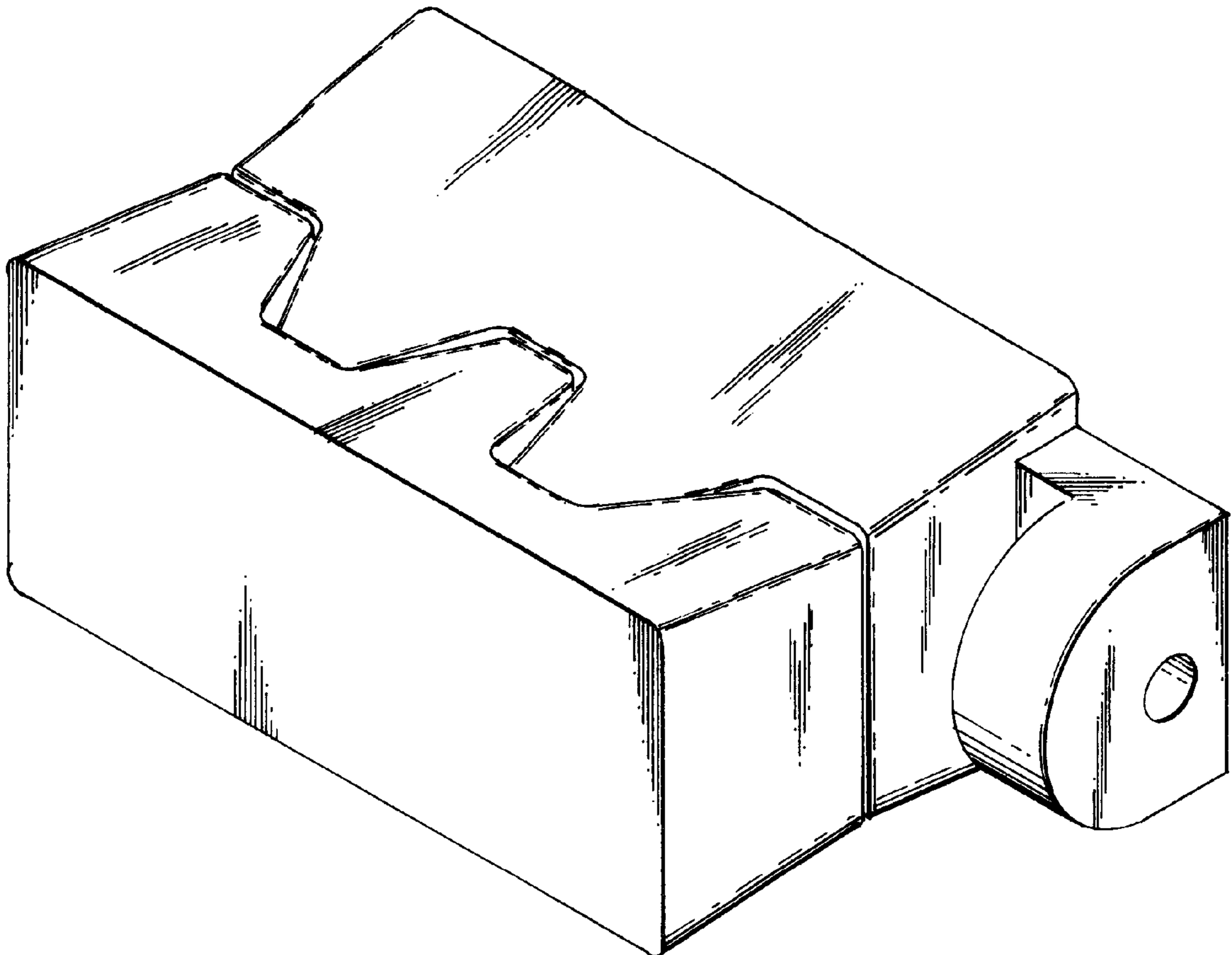


FIG. 1

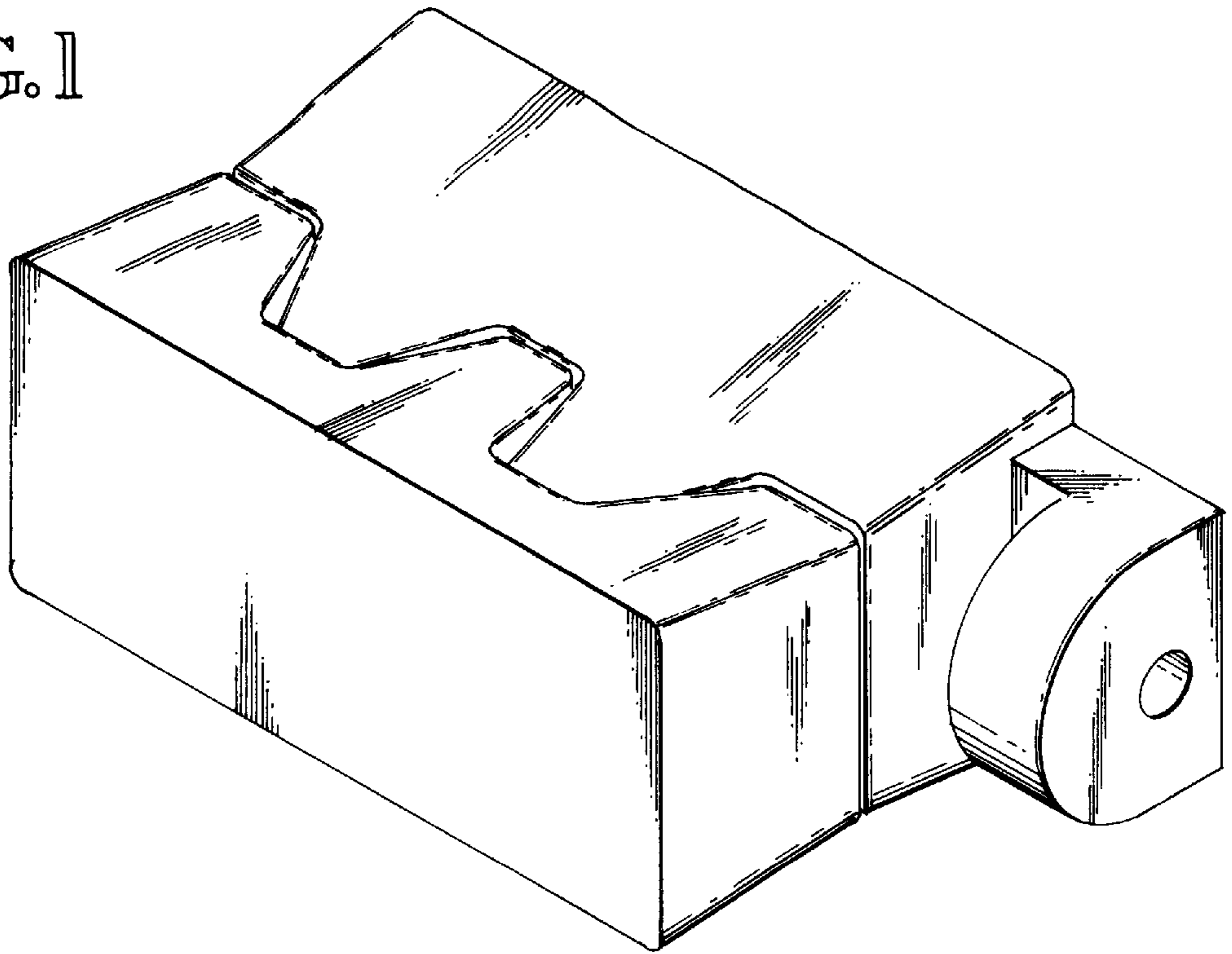


FIG. 2

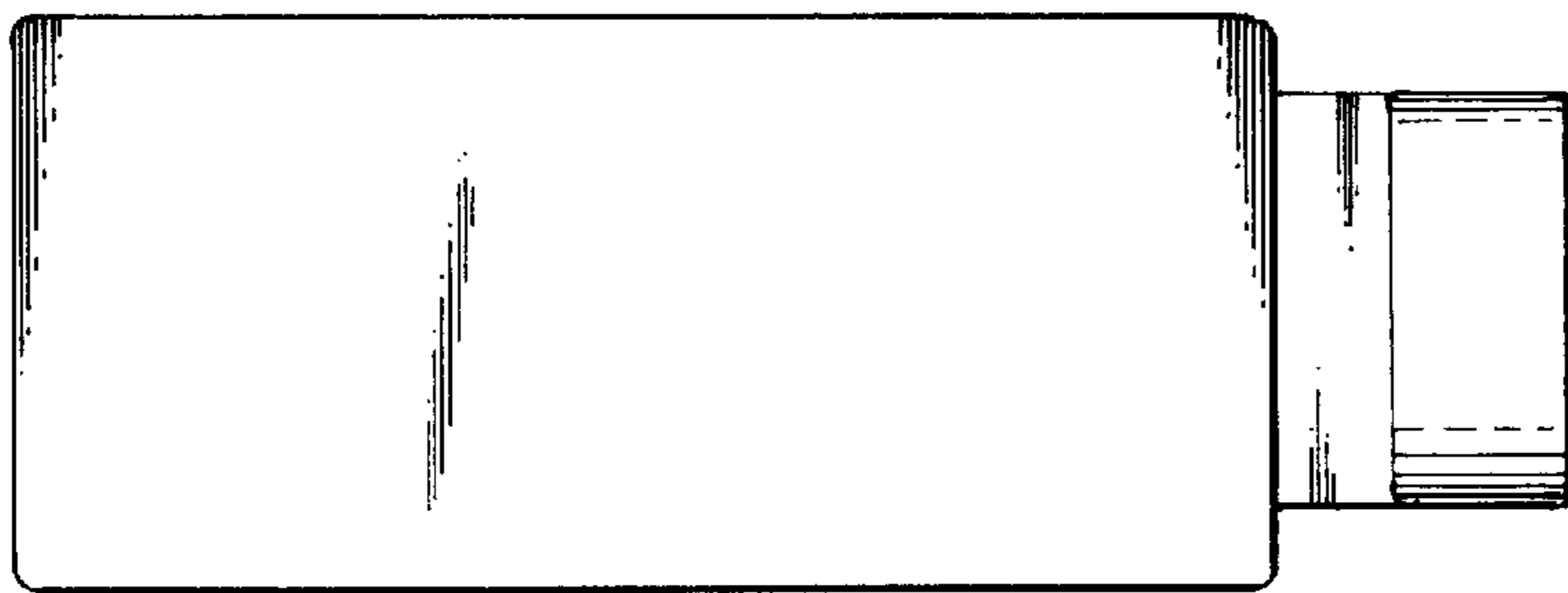
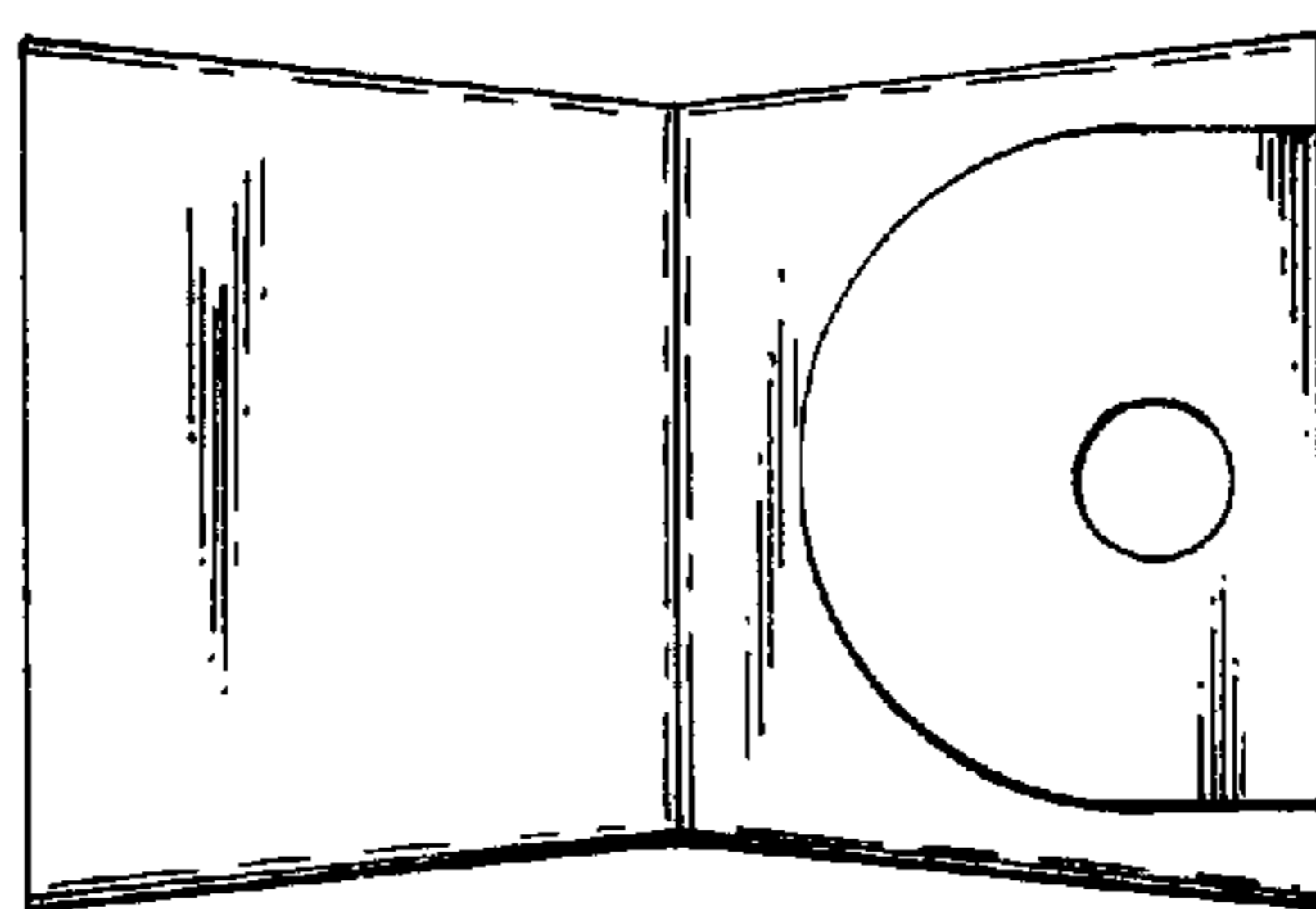


FIG. 3



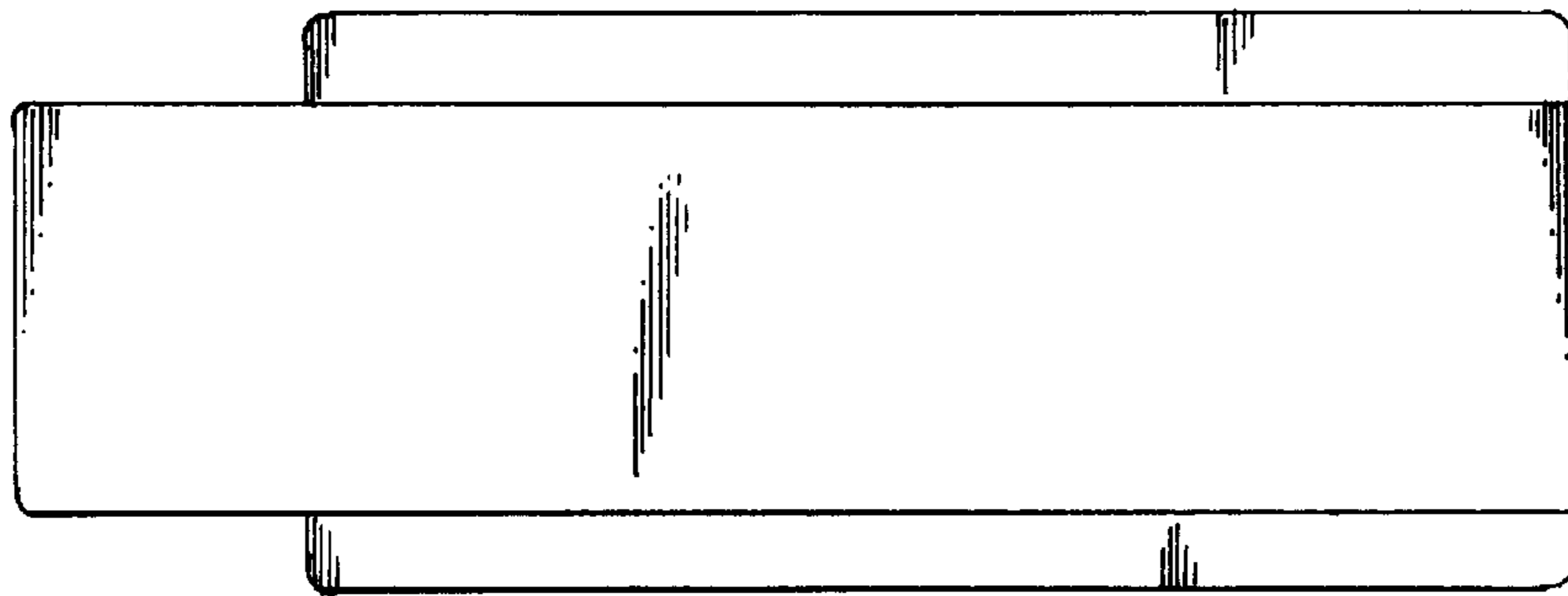


FIG. 4

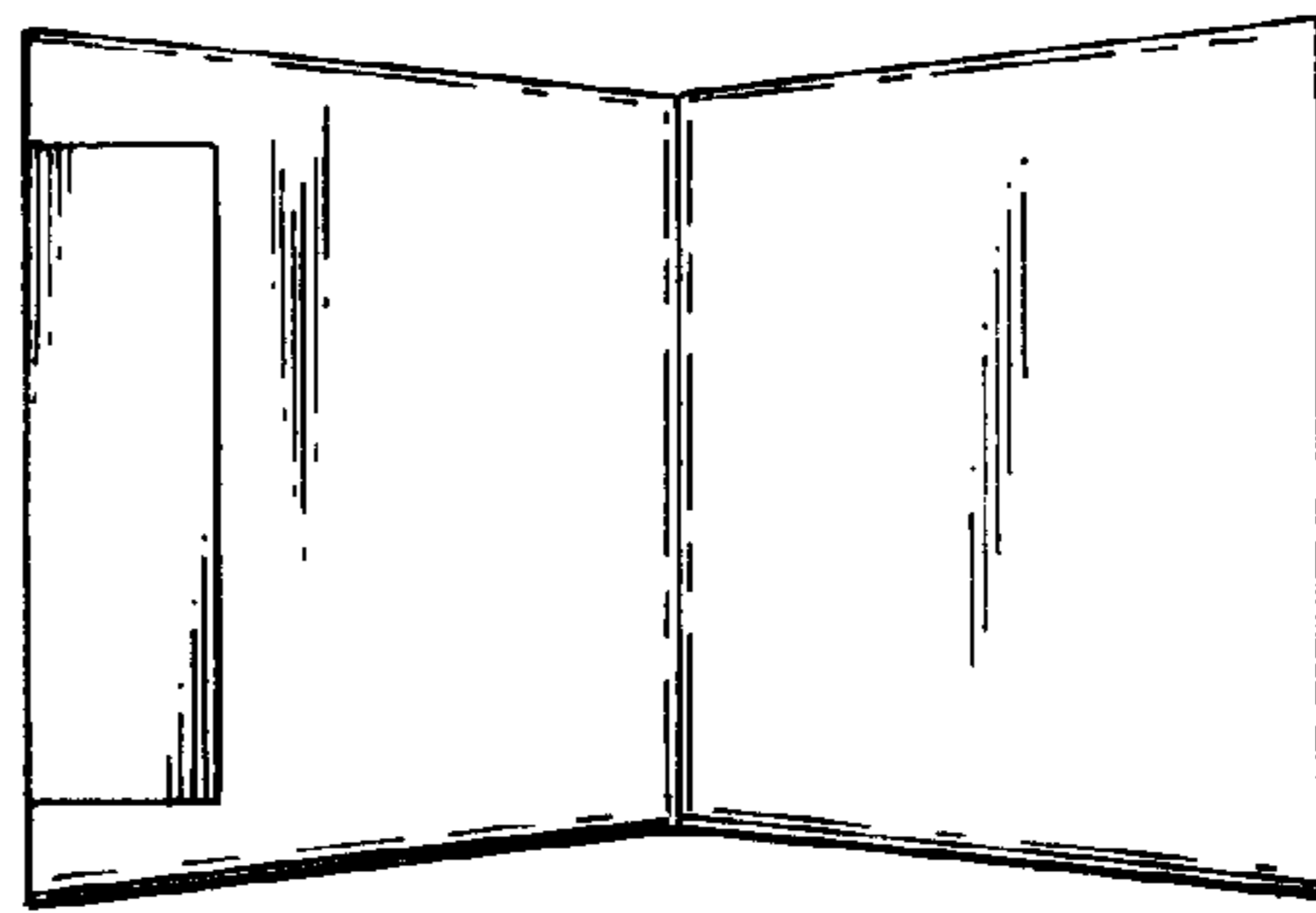


FIG. 5