



US00D418041S

# United States Patent [19] Chen

[11] **Patent Number: Des. 418,041**

[45] **Date of Patent: \*\* Dec. 28, 1999**

[54] **AUTOMOBILE STEERING LOCK**

5,168,732 12/1992 Chen et al. .... 70/209  
5,353,615 10/1994 Chen ..... 70/209  
5,454,242 10/1995 Su ..... 70/209

[75] Inventor: **Wen-Chaun Chen**, Tainan, Taiwan

[73] Assignee: **Chan Hau Enterprise Co., Ltd.**, Taipei Hsien, Taiwan

*Primary Examiner*—Alan P. Douglas  
*Assistant Examiner*—Jennifer Rivard

[\*\*] Term: **14 Years**

[57] **CLAIM**

[21] Appl. No.: **29/096,478**

The ornamental design for automobile steering lock, as shown and described.

[22] Filed: **Nov. 13, 1998**

**DESCRIPTION**

[51] **LOC (6) Cl. .... 08-07**

FIG. 1 is a perspective view of automobile steering lock showing my design;

[52] **U.S. Cl. .... D8/331**

FIG. 2 is a front elevational view thereof;

[58] **Field of Search ..... 70/209, 225, 226, 70/237, 252, 14; D8/330, 331**

FIG. 3 is a rear elevational view thereof;

FIG. 4 is a left side elevational view thereof;

FIG. 5 is a right side elevational view thereof;

FIG. 6 is a top plan view thereof; and,

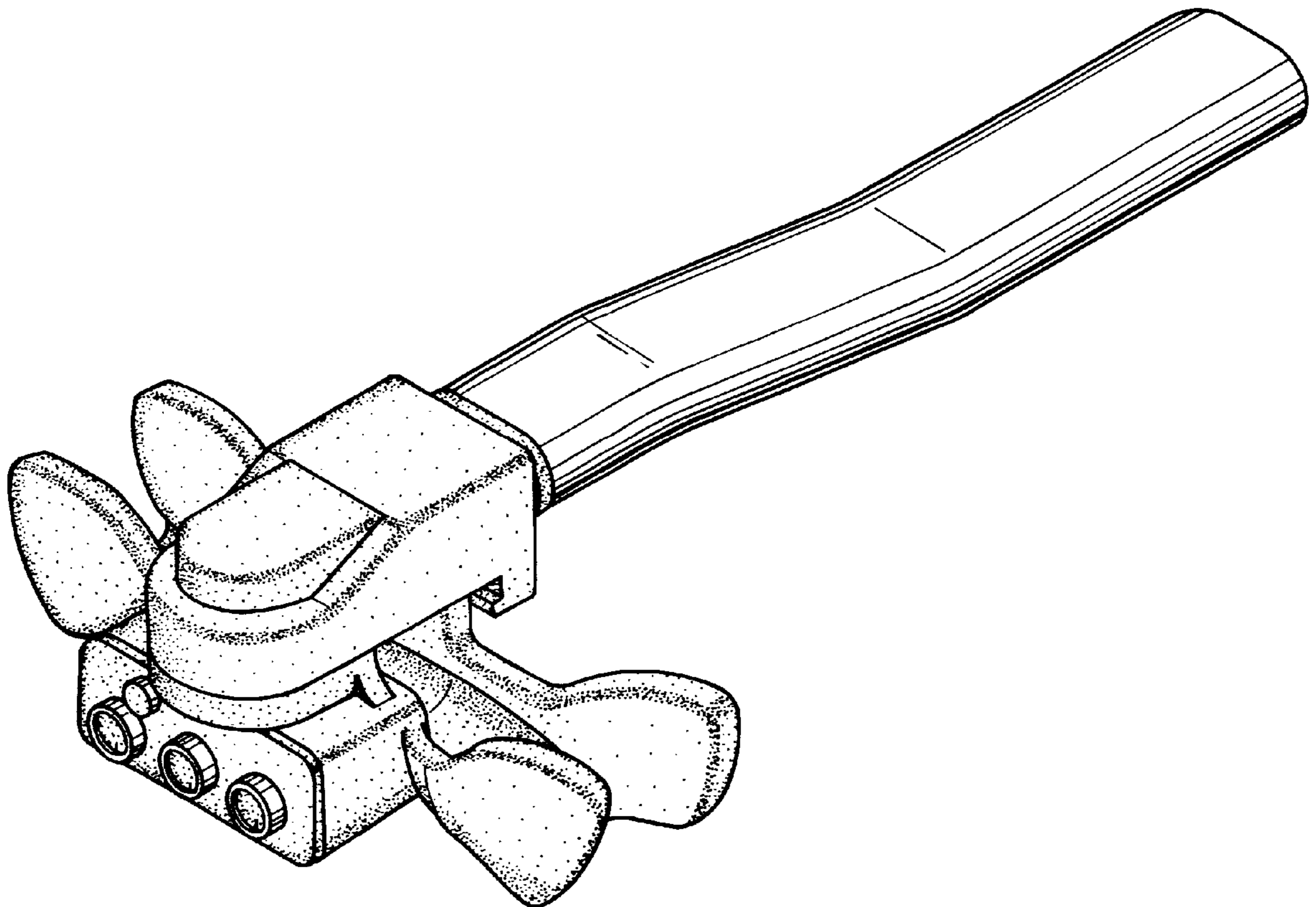
FIG. 7 is a bottom plan view thereof.

[56] **References Cited**

**U.S. PATENT DOCUMENTS**

- D. 300,500 4/1989 Chen ..... D8/331
- D. 356,726 3/1995 Weng et al. .... D8/331
- D. 372,853 8/1996 Chen et al. .... D8/331

**1 Claim, 5 Drawing Sheets**



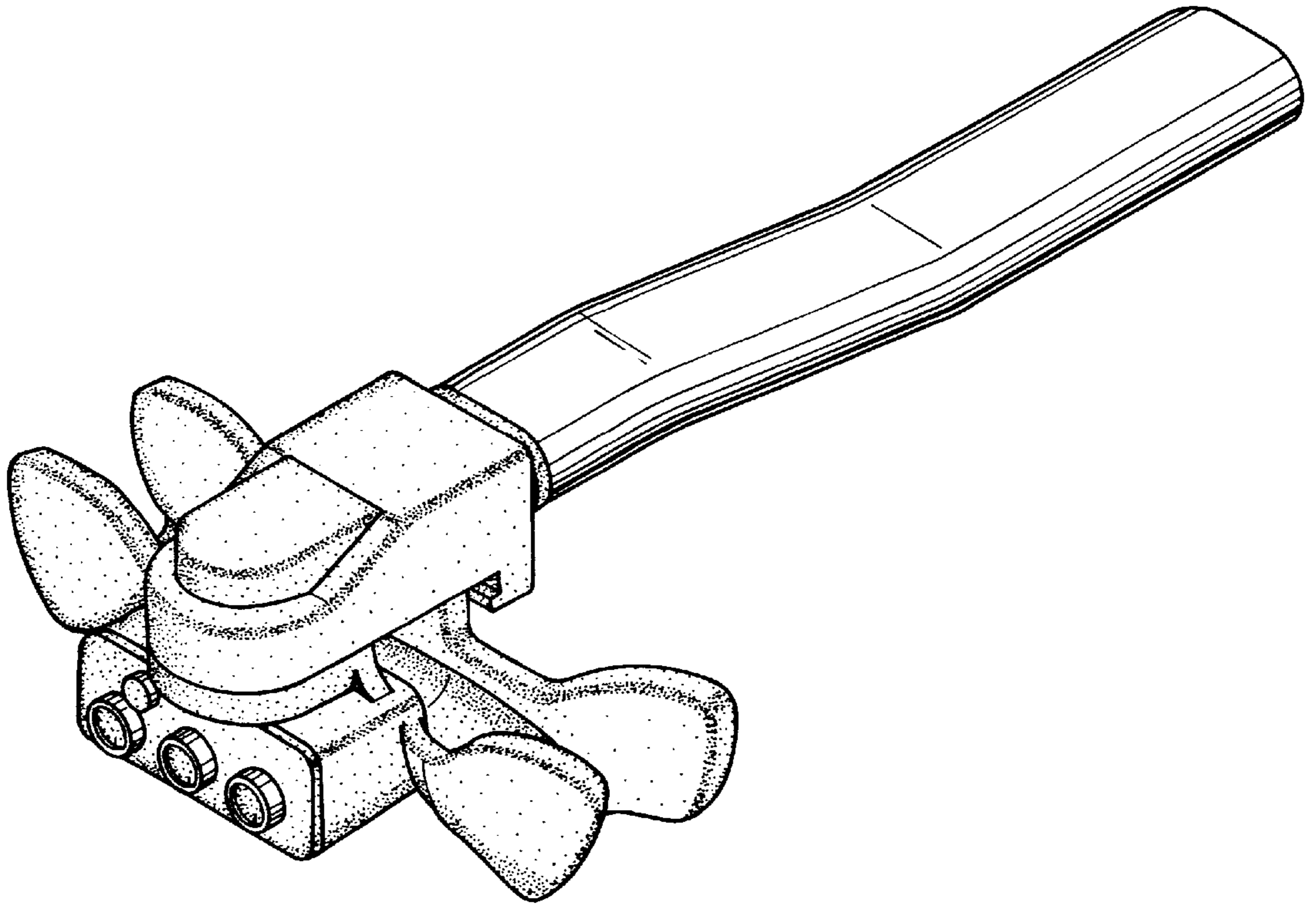


FIG. 1

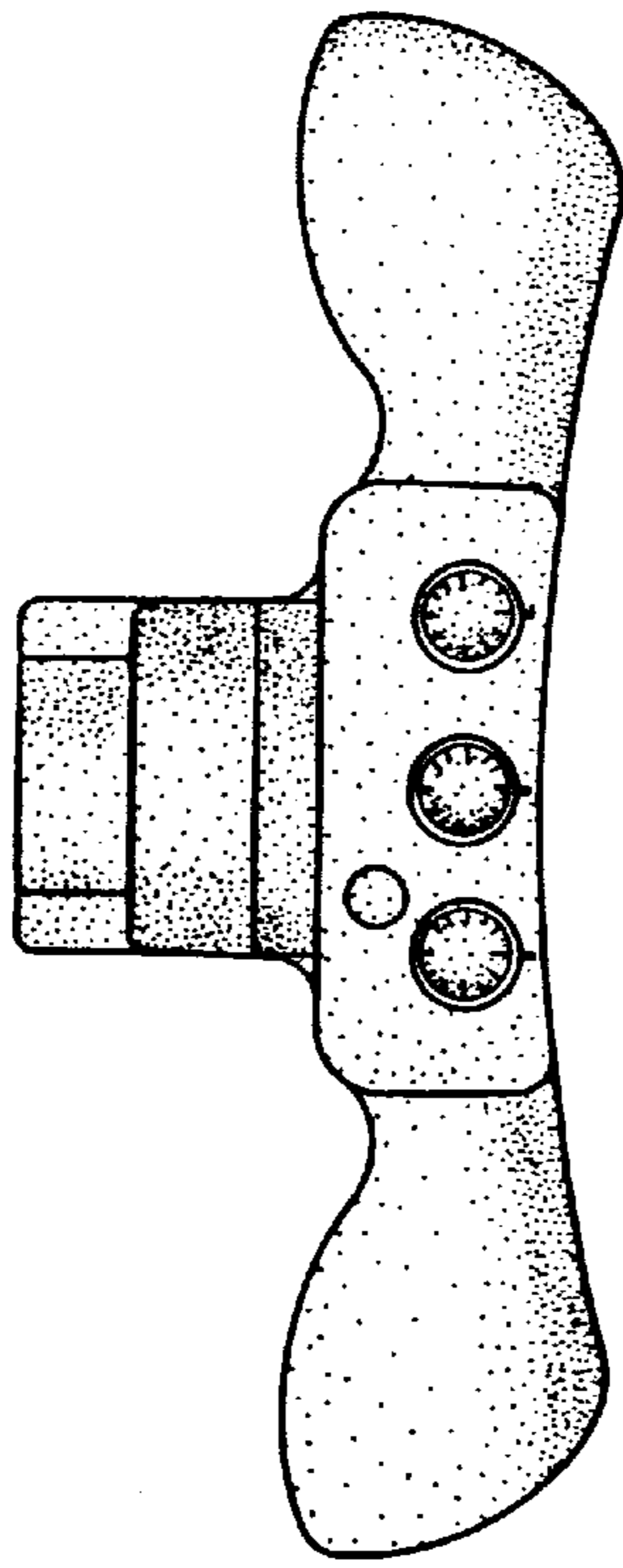


FIG. 2

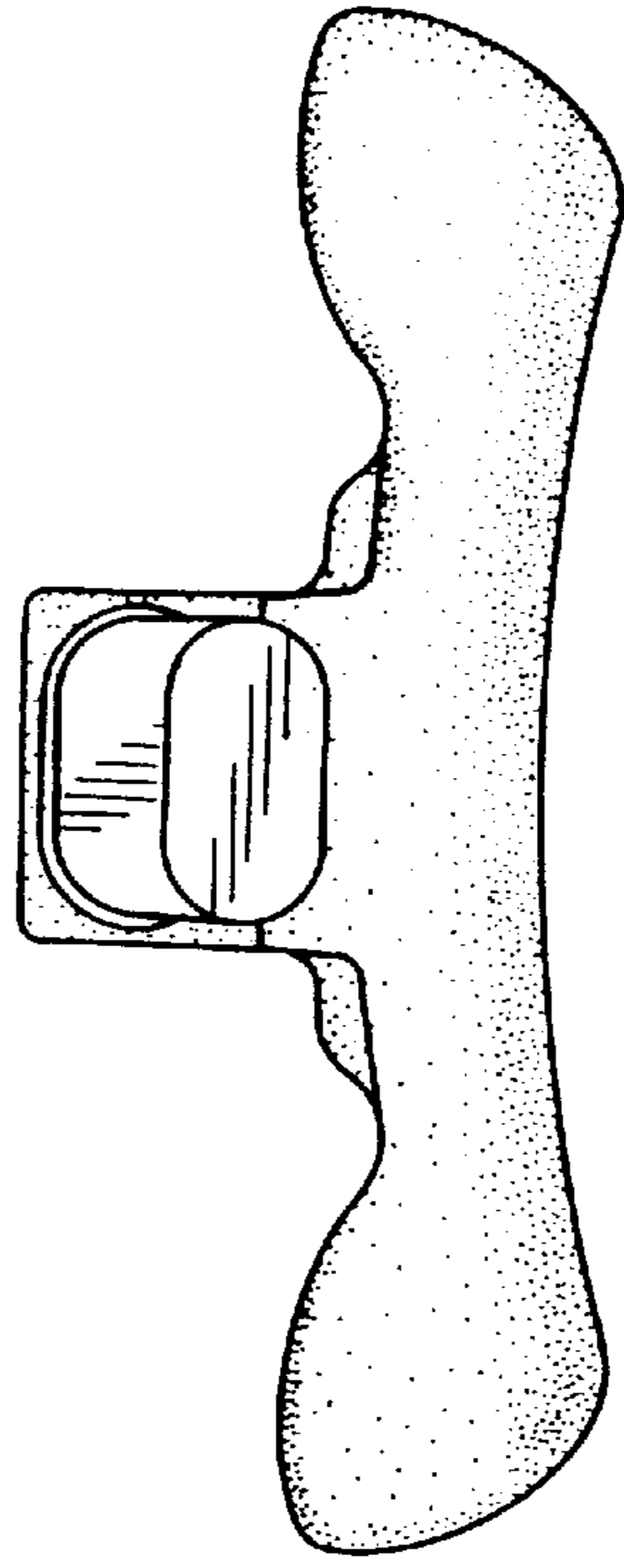


FIG. 3

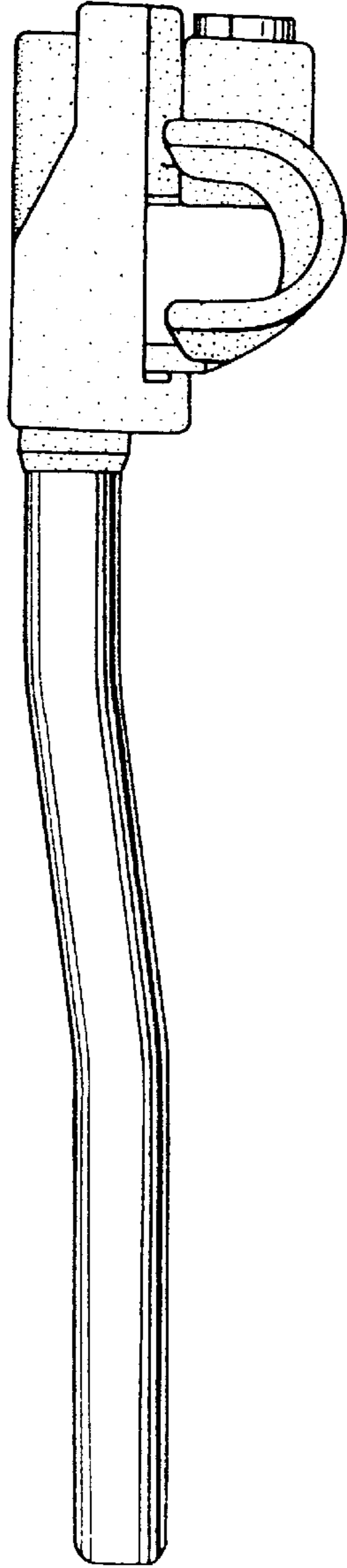


FIG. 4

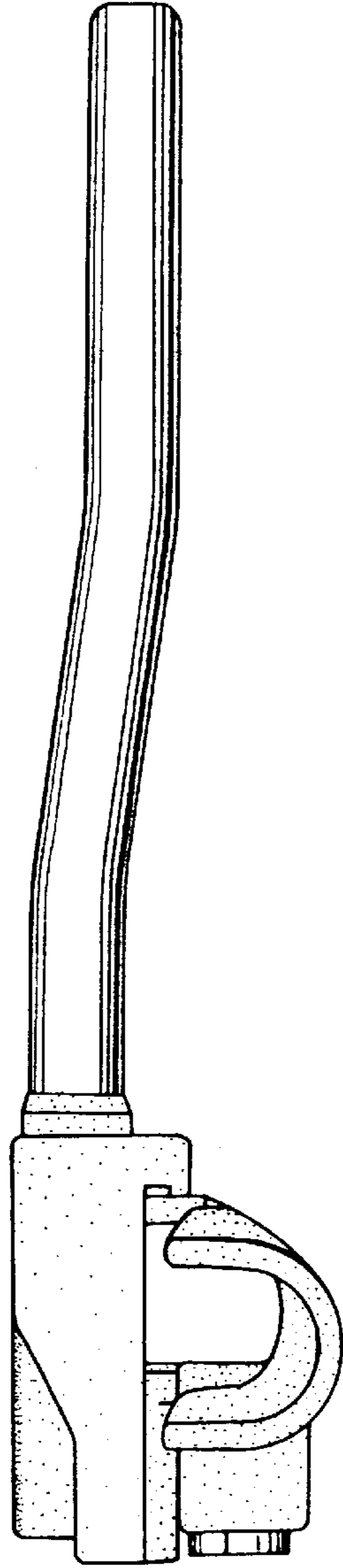


FIG. 5

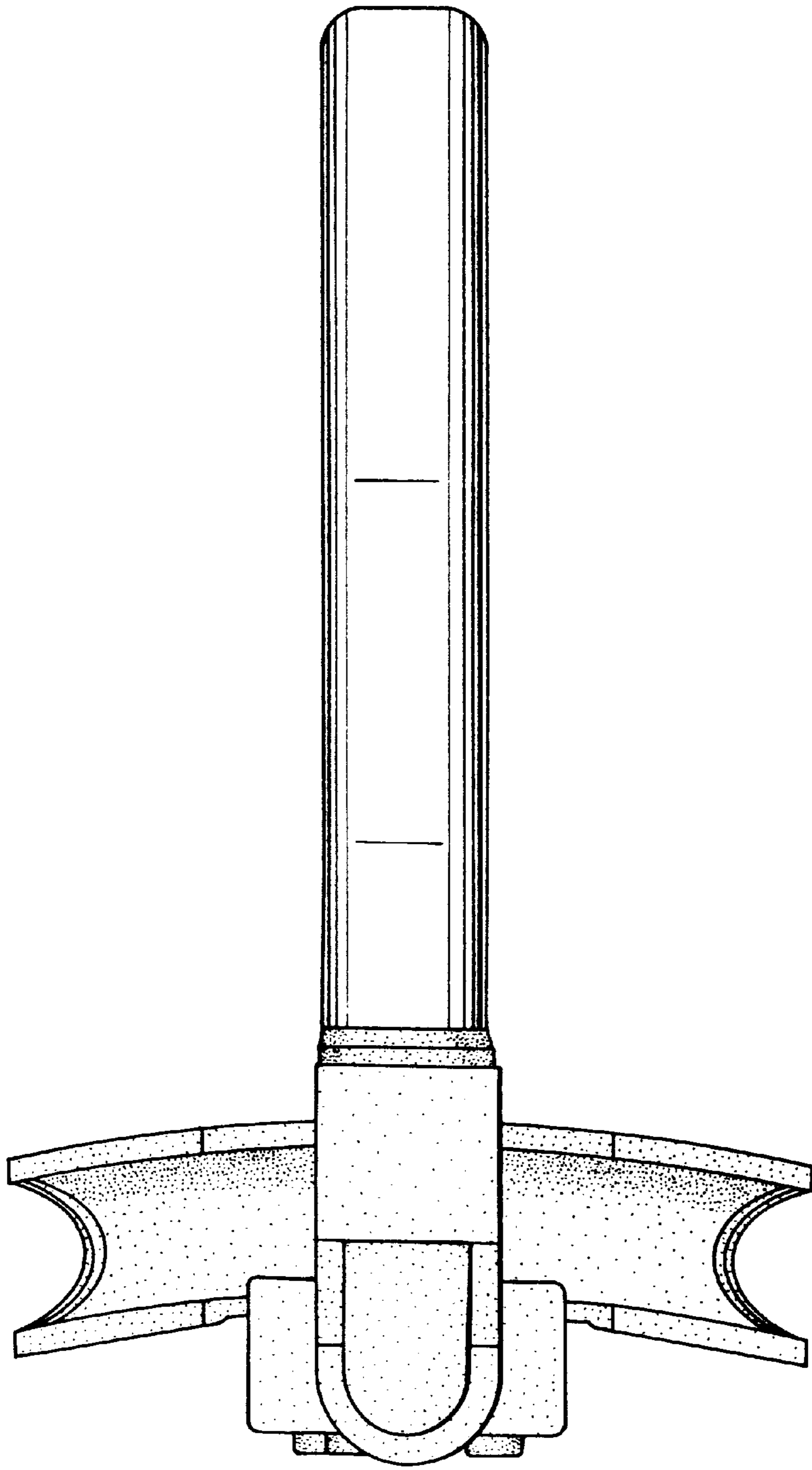


FIG. 6



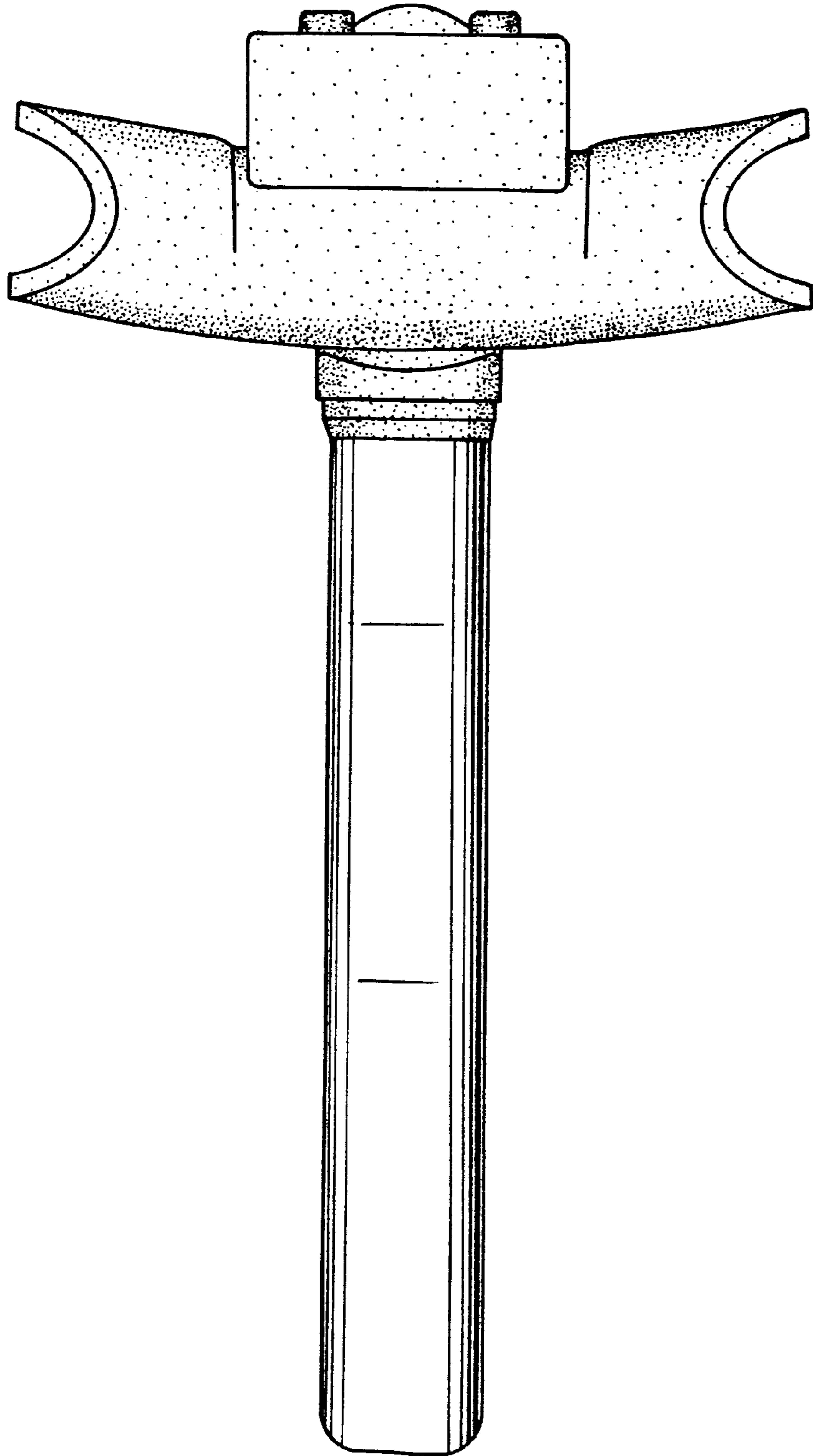


FIG. 7