



US00D418040S

**United States Patent** [19]  
**Howard**

[11] **Patent Number: Des. 418,040**

[45] **Date of Patent: \*\* Dec. 28, 1999**

[54] **BICYCLE LOCK**

3,841,118 10/1974 Stone ..... 70/49  
5,027,622 7/1991 Hatch et al. .... 70/14  
5,257,517 11/1993 Dale ..... 70/54

[76] Inventor: **William Henry Howard**, 3 Sherwood  
Road, Crosby, Liverpool, L237UE,  
United Kingdom

*Primary Examiner*—Susan J. Lucas  
*Assistant Examiner*—Jennifer Rivard

[\*\*] Term: **14 Years**

[57] **CLAIM**

[21] Appl. No.: **29/087,342**

The ornamental design for a bicycle lock, as shown and described.

[22] Filed: **Apr. 30, 1998**

**DESCRIPTION**

[51] **LOC (6) Cl.** ..... **08-07**

[52] **U.S. Cl.** ..... **D8/331; D8/333**

[58] **Field of Search** ..... D8/330–331, 333;  
70/225, 226, 227, 233, 49, 30

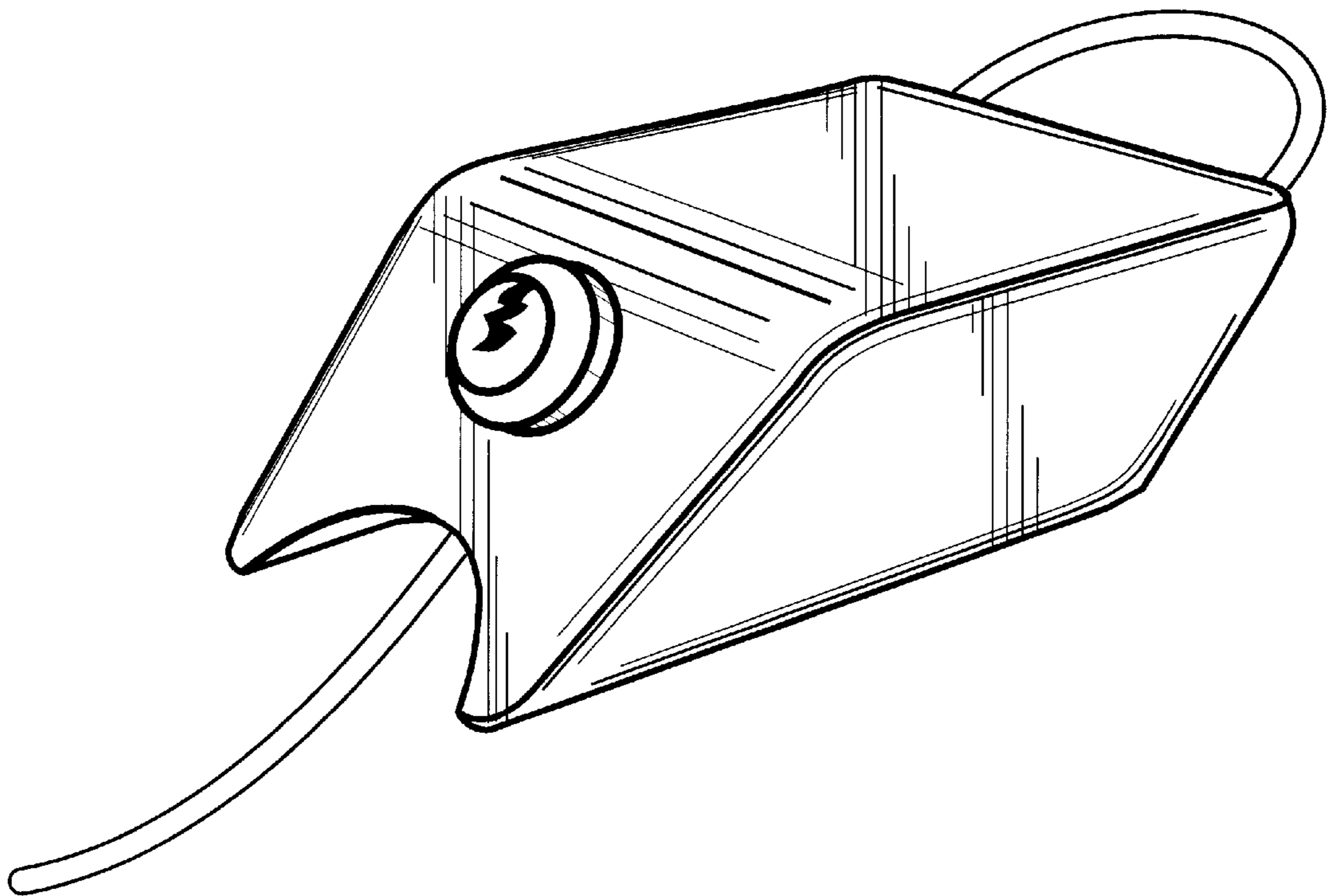
FIG. 1 is a view of the front face of the bicycle lock;  
FIG. 2 is a view of the reverse face of the bicycle lock;  
FIG. 3 is a view of the right face of the bicycle lock;  
FIG. 4 is a view of the left face of the bicycle lock;  
FIG. 5 is a view of the top face of the bicycle lock;  
FIG. 6 is a view of the bottom face of the bicycle lock; and,  
FIG. 7 is an isometric view of the bicycle lock.

[56] **References Cited**

**U.S. PATENT DOCUMENTS**

D. 102,936 1/1937 Wise ..... D8/339  
351,063 10/1886 McCormick ..... 70/49

**1 Claim, 4 Drawing Sheets**



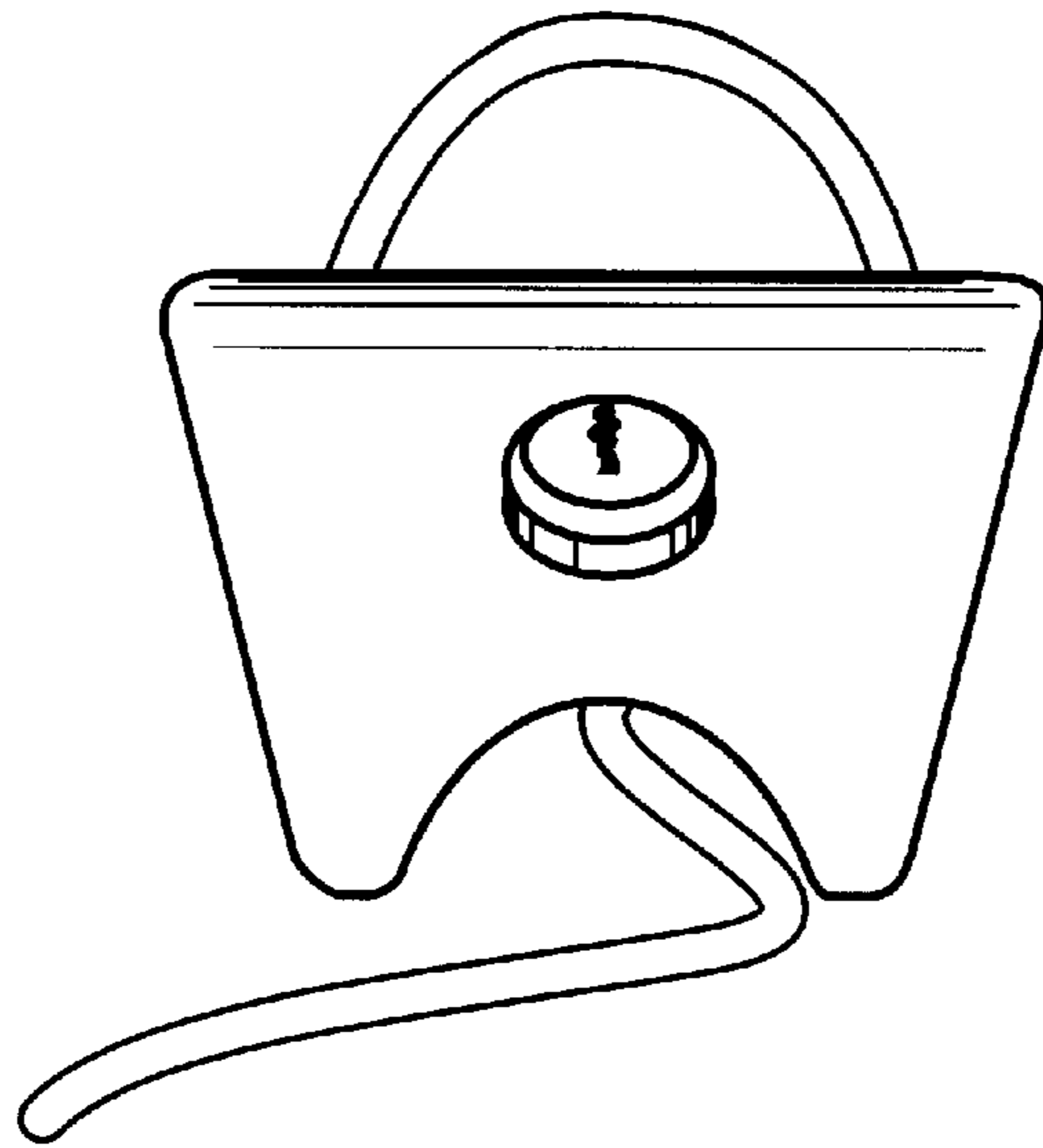


FIG 1

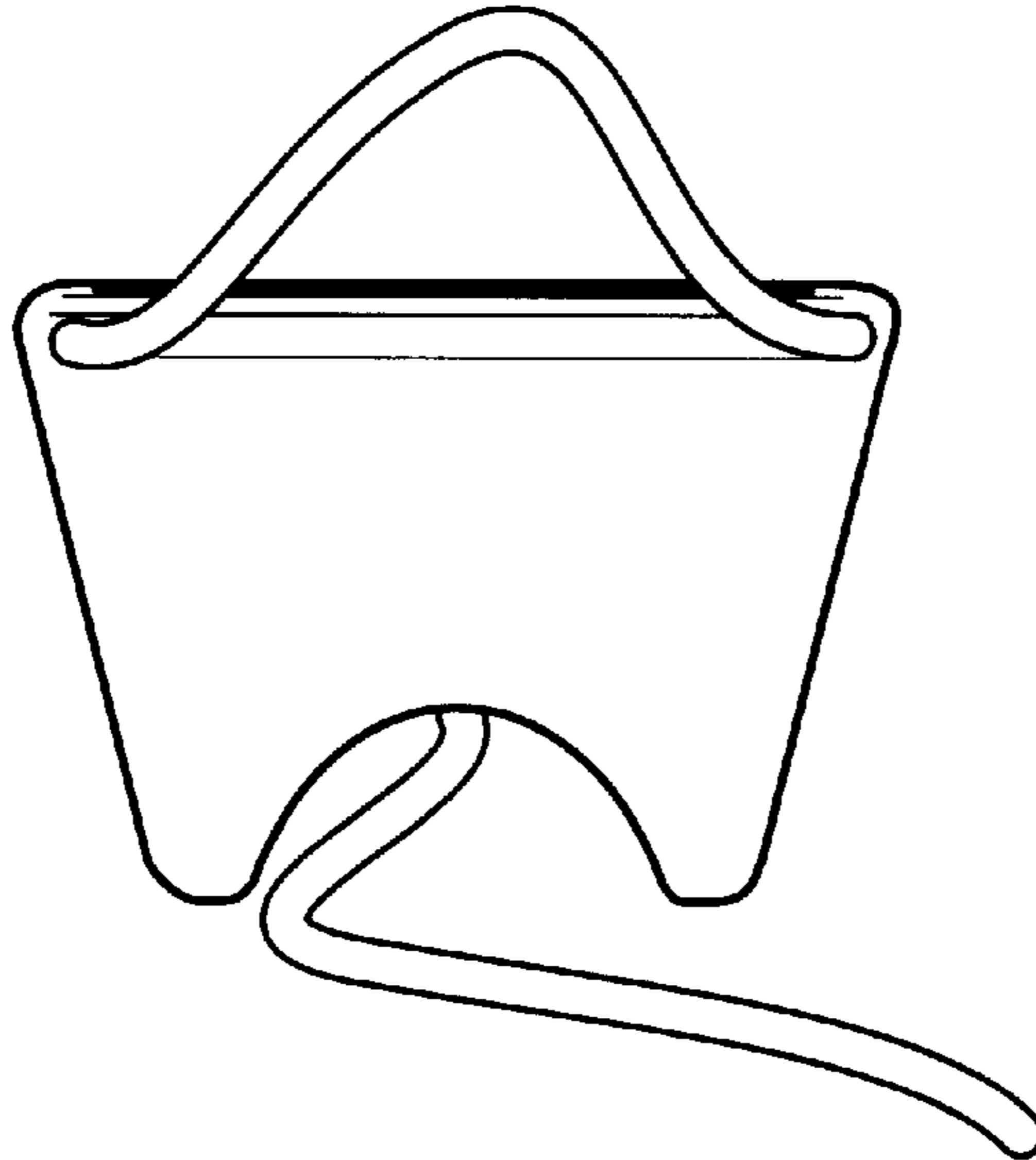


FIG 2

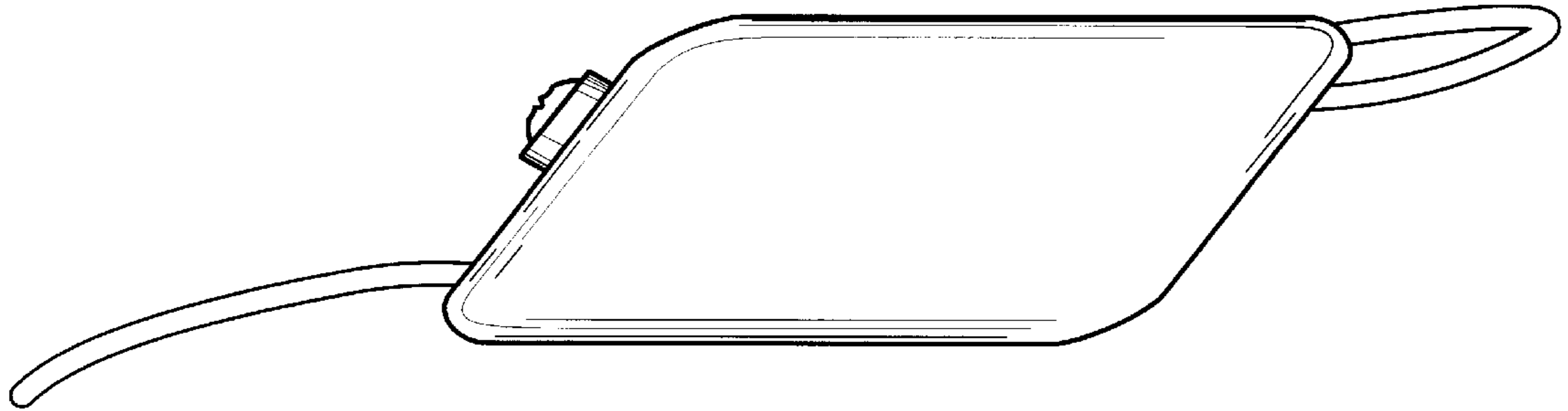


FIG 3

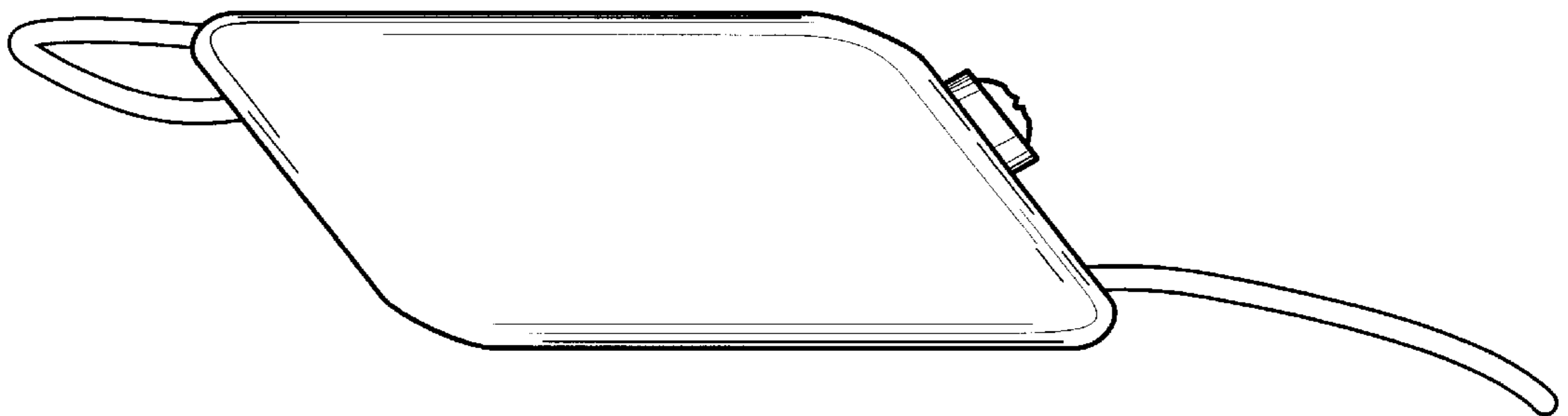


FIG 4

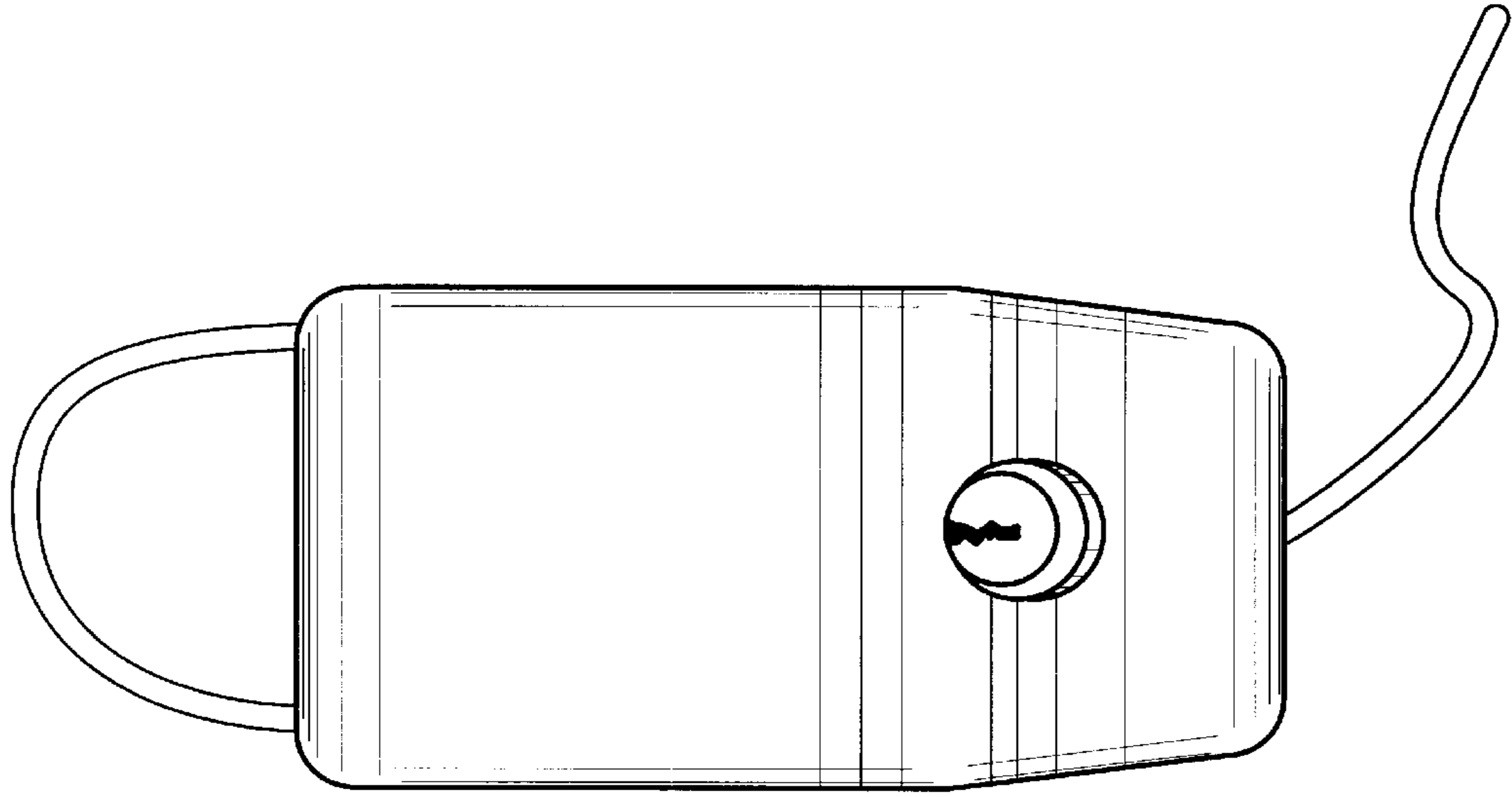


FIG 5

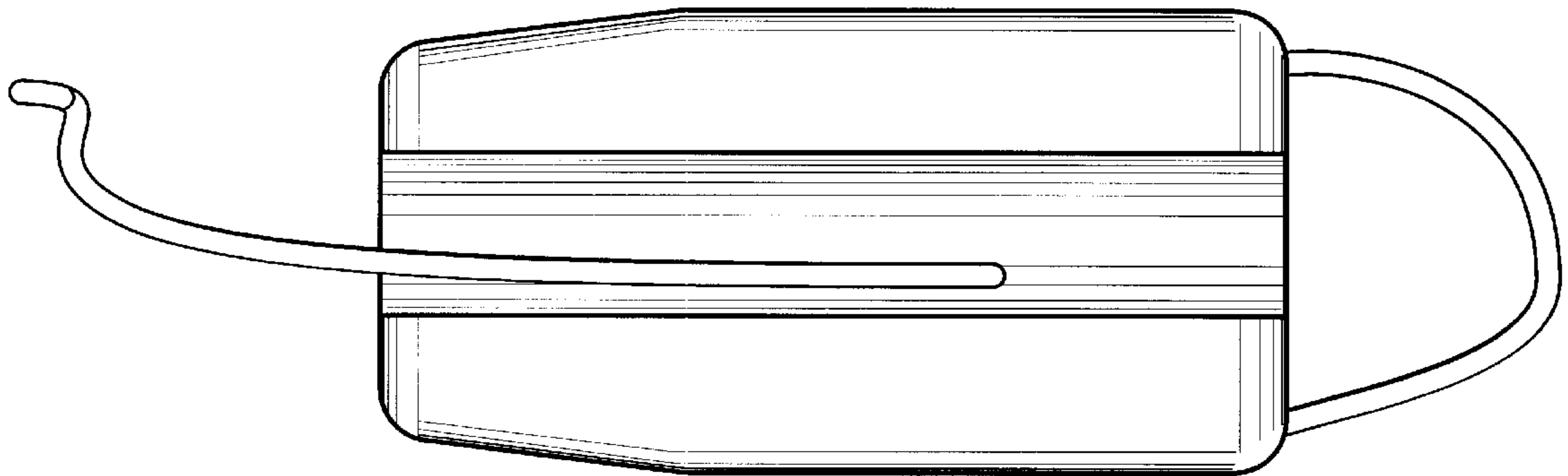


FIG 6

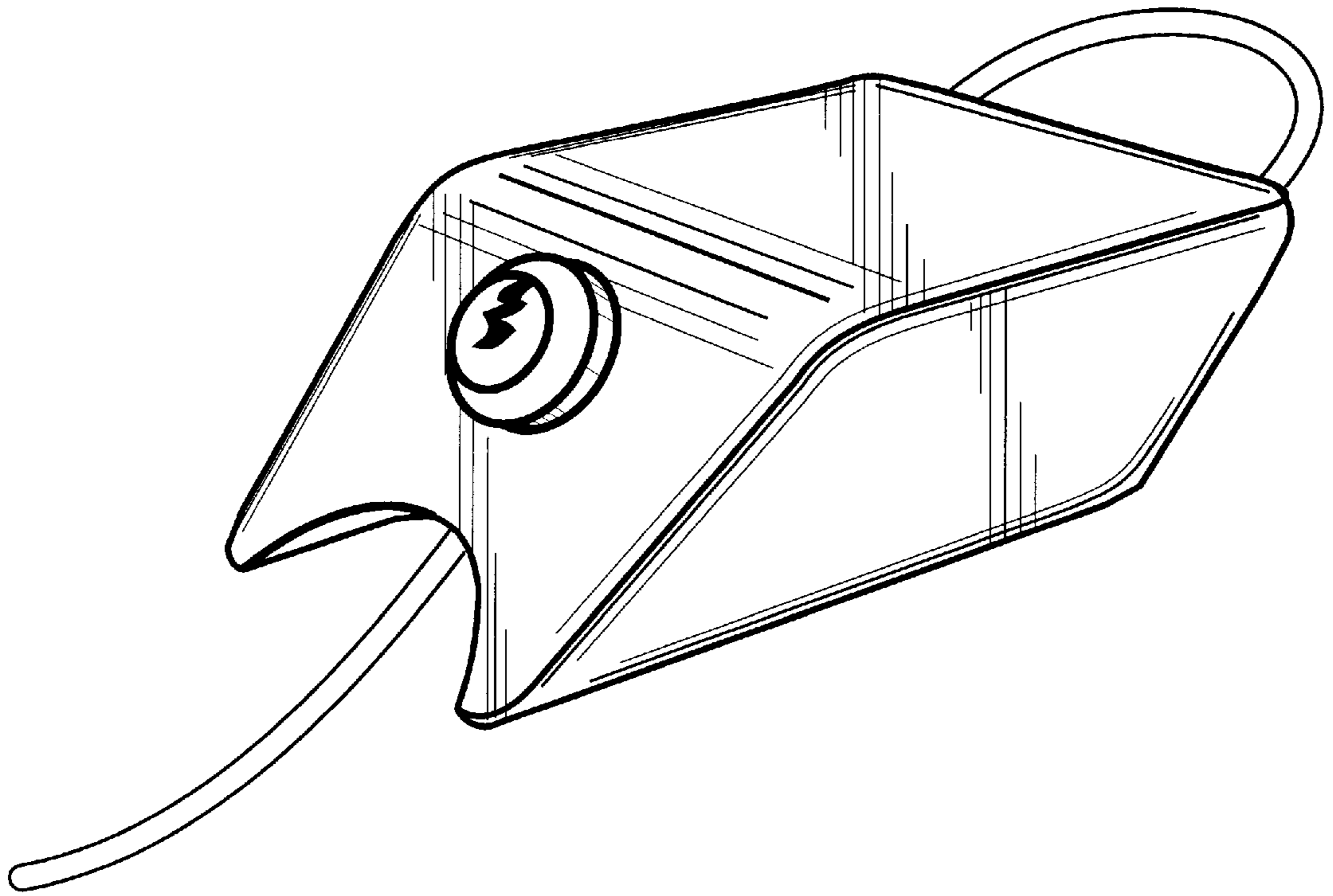


FIG 7