



US00D418038S

United States Patent [19] Scott

[11] **Patent Number: Des. 418,038**

[45] **Date of Patent: ** Dec. 28, 1999**

[54] **CABINET DOOR RESTRAINT**

[76] Inventor: **Dorothy L. Scott**, 2524 Santa Clara Ave., #B, Alameda, Calif. 94501

[**] Term: **14 Years**

[21] Appl. No.: **29/084,805**

[22] Filed: **Mar. 10, 1998**

[51] **LOC (6) Cl. 08-07**

[52] **U.S. Cl. D8/330**

[58] **Field of Search D8/330, 331; 70/DIG. 65, 70/78, 77, 80, 302; 292/258, 288**

[56] **References Cited**

U.S. PATENT DOCUMENTS

1,378,381	5/1921	Sachnoff .	
4,082,334	4/1978	Volta et al.	292/288
4,330,146	5/1982	Sessions, Jr. .	
4,955,648	9/1990	Miller	292/258
5,203,597	4/1993	Wheelock .	
5,209,533	5/1993	Menard .	
5,294,160	3/1994	Arthur .	
5,709,422	1/1998	Malone	292/288

Primary Examiner—Susan J. Lucas
Assistant Examiner—Jennifer Rivard
Attorney, Agent, or Firm—Richard C. Litman

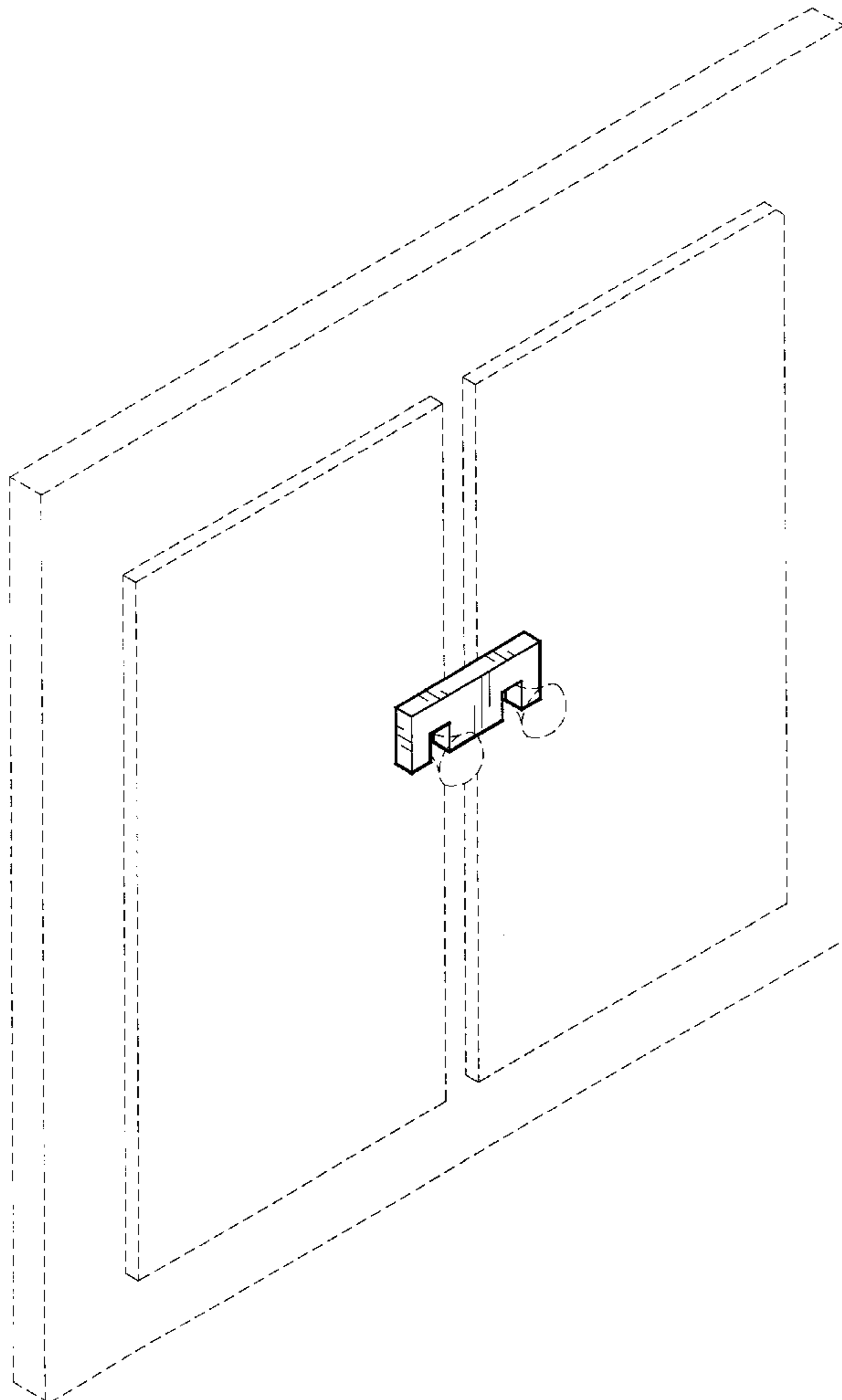
[57] **CLAIM**

The ornamental design for a cabinet door restraint, as shown and described.

DESCRIPTION

FIG. 1 is a front environmental perspective view of a cabinet door restraint showing my new design;
FIG. 2 is a front elevational view with the rear view being a mirror image thereof;
FIG. 3 is a right side elevational view with the left side being a mirror image thereof;
FIG. 4 is a top view thereof;
FIG. 5 is a bottom view thereof; and,
FIG. 6 is a rear environmental perspective thereof.
The broken line showing of the cabinet in FIG. 1 is for illustrative purposes only and forms no part of the claimed design. The broken line showing of the felt backing in FIG. 6 is for illustrative purposes only, merely disclosing patterns of felt that can be used, and forms no part of the claimed design.

1 Claim, 3 Drawing Sheets



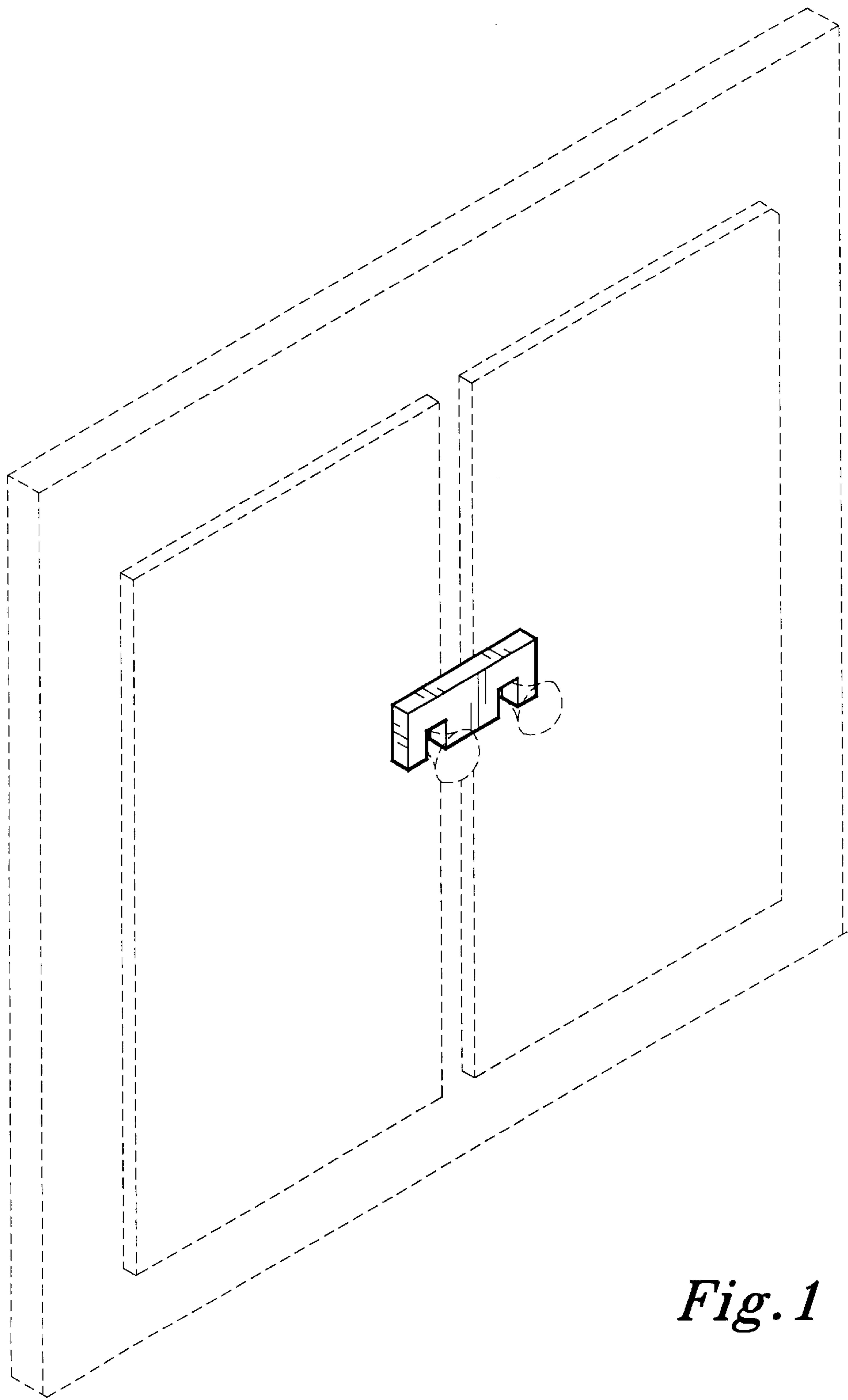


Fig. 1

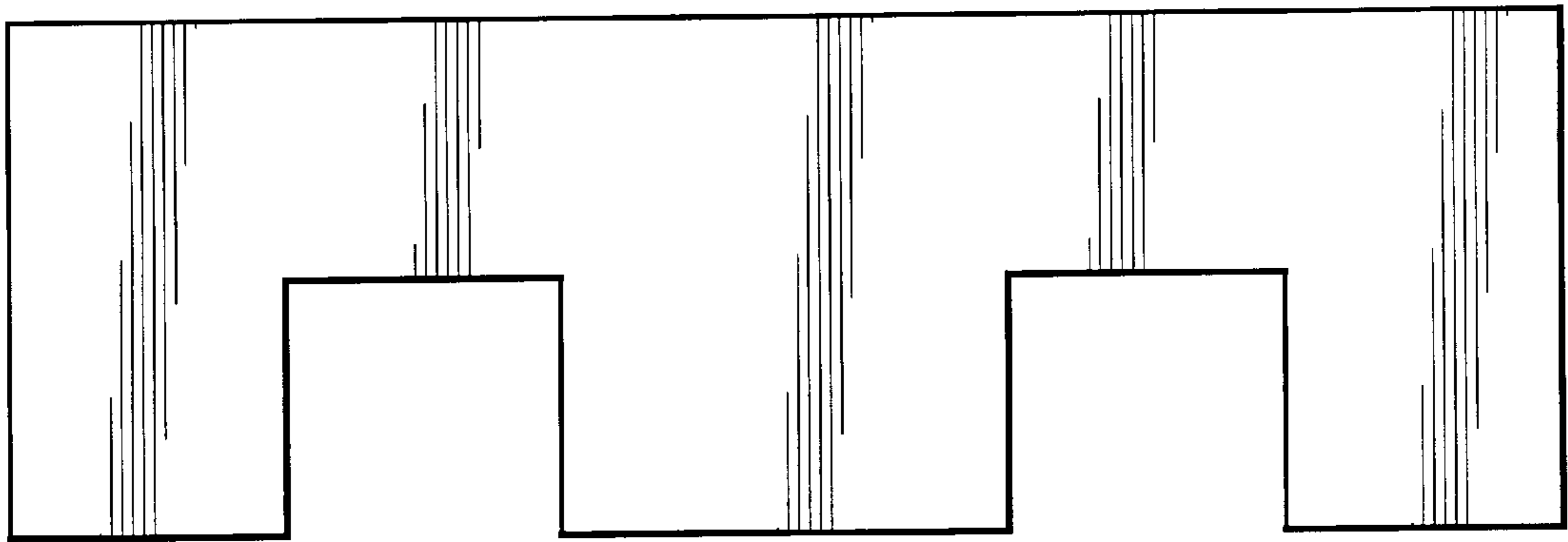


FIG. 2

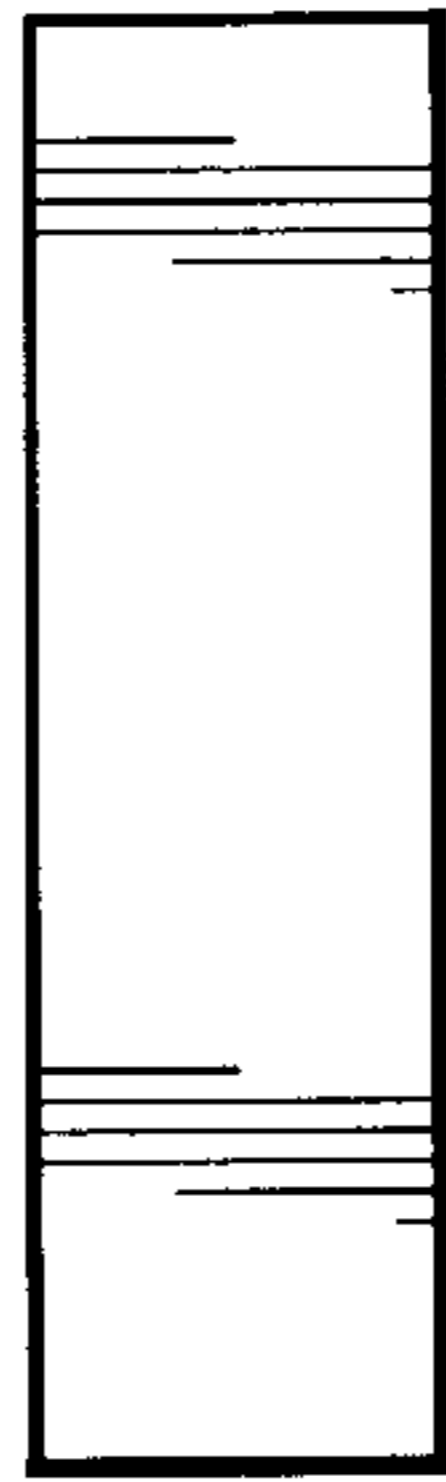


FIG. 3

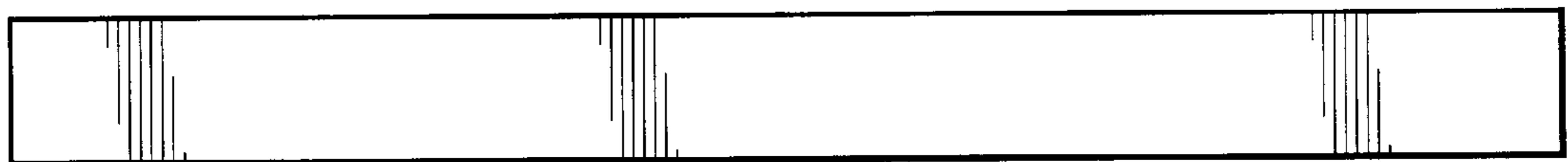


FIG. 4

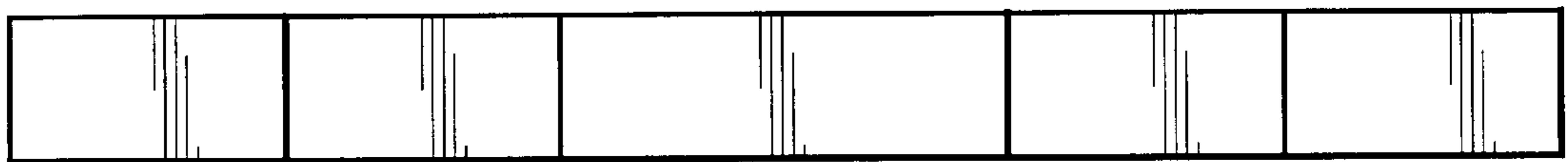


FIG. 5

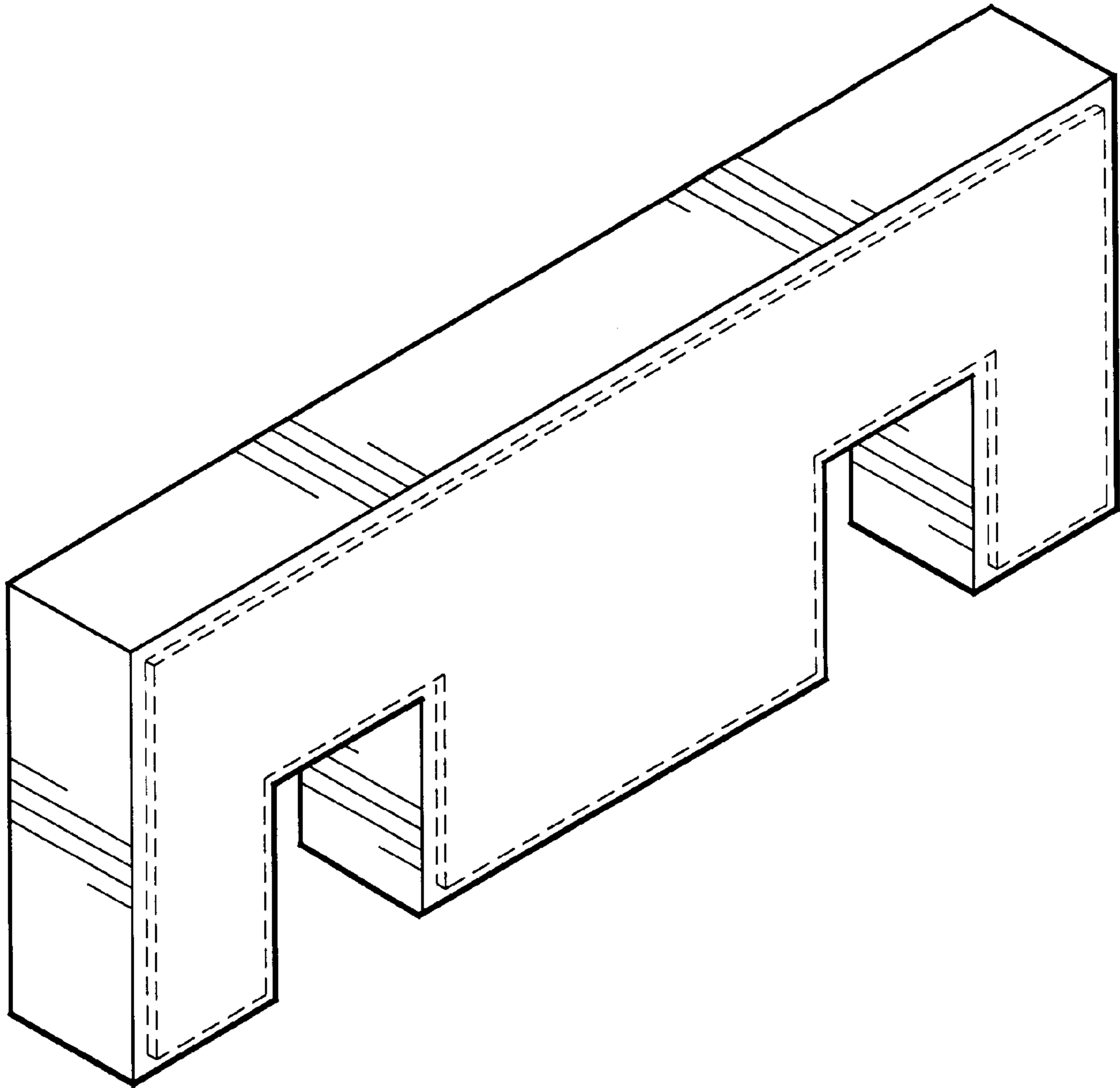


Fig. 6