



US00D418036S

# United States Patent [19]

Shearer

[11] Patent Number: Des. 418,036

[45] Date of Patent: \*\* Dec. 28, 1999

[54] TOOL FOR APPLYING CAULKING MATERIAL

[76] Inventor: Scott Shearer, 14633 Banner Lava Cap, Nevada City, Calif. 95959

[\*\*] Term: 14 Years

[21] Appl. No.: 29/099,367

[22] Filed: Jan. 20, 1999

[51] LOC (6) Cl. .... 08-04

[52] U.S. Cl. .... D8/98; D8/99

[58] Field of Search ..... D8/98, 99, 14, D8/14.1; 30/162, 335, 304, 2

### [56] References Cited

#### U.S. PATENT DOCUMENTS

D. 402,525	12/1998	Hsu	.....	D8/98
4,443,942	4/1984	Demeter	.....	30/293
4,493,437	1/1985	Breeden	.....	222/82
4,578,865	4/1986	Keller	.....	30/335
4,852,259	8/1989	Manserra	.....	30/289

4,868,989	9/1989	Renaud	.....	30/293
5,337,481	8/1994	Mears	.....	30/335
5,353,508	10/1994	Baker	.....	33/42
5,584,123	12/1996	Chi	.....	30/335

Primary Examiner—Philip S. Hyder  
Attorney, Agent, or Firm—Goldstein & Canino

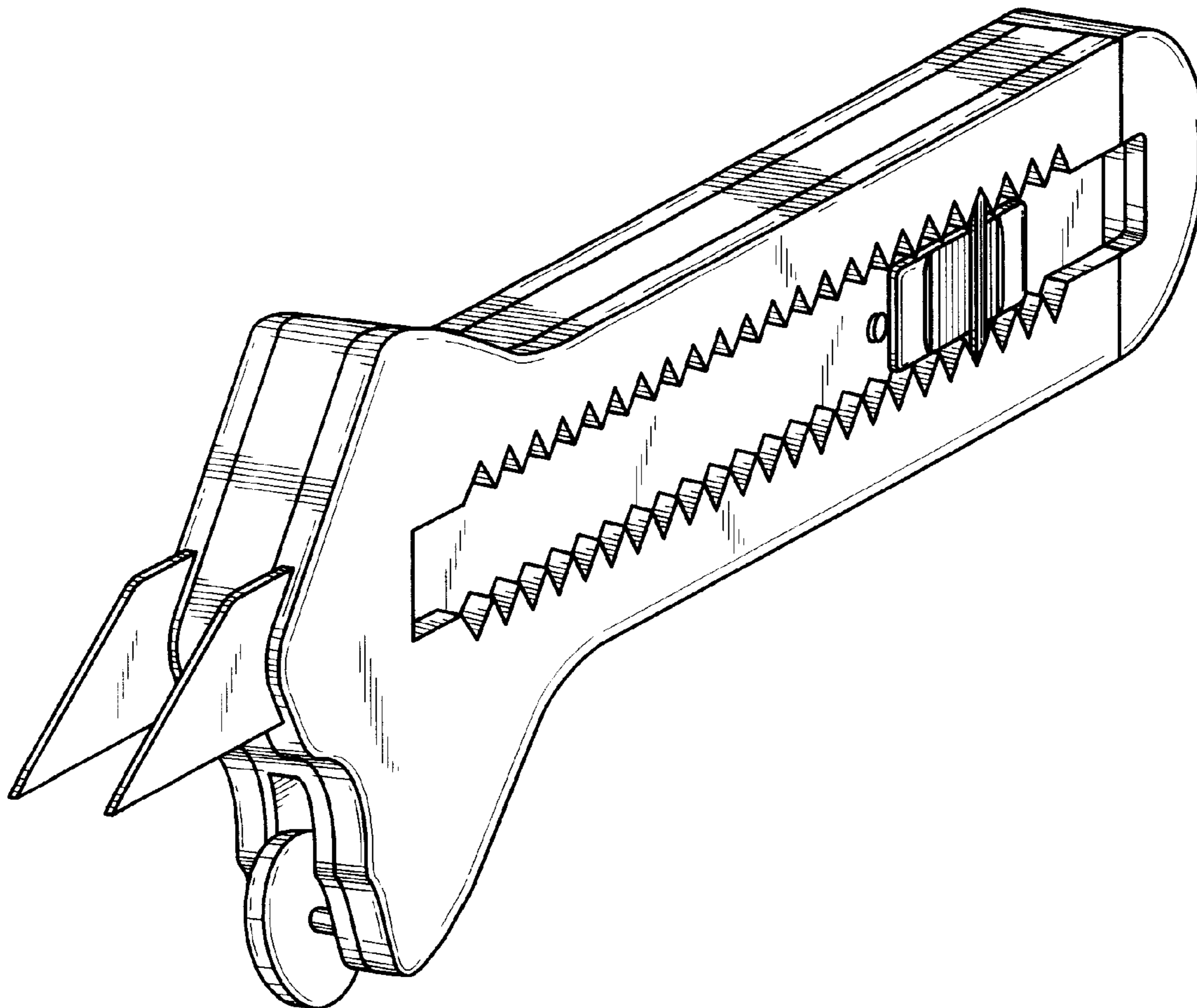
### [57] CLAIM

The ornamental design for a tool for applying caulking material, as shown and described.

### DESCRIPTION

FIG. 1 is a diagrammatic perspective view of the tool for applying caulking material.  
 FIG. 2 is a right side elevational view thereof, the left side elevational view being a mirror image of the right side view.  
 FIG. 3 is a top plan view thereof.  
 FIG. 4 is a bottom plan view thereof.  
 FIG. 5 is a front elevational view of the tool for applying caulking material; and,  
 FIG. 6 is a rear elevational view thereof.

1 Claim, 3 Drawing Sheets



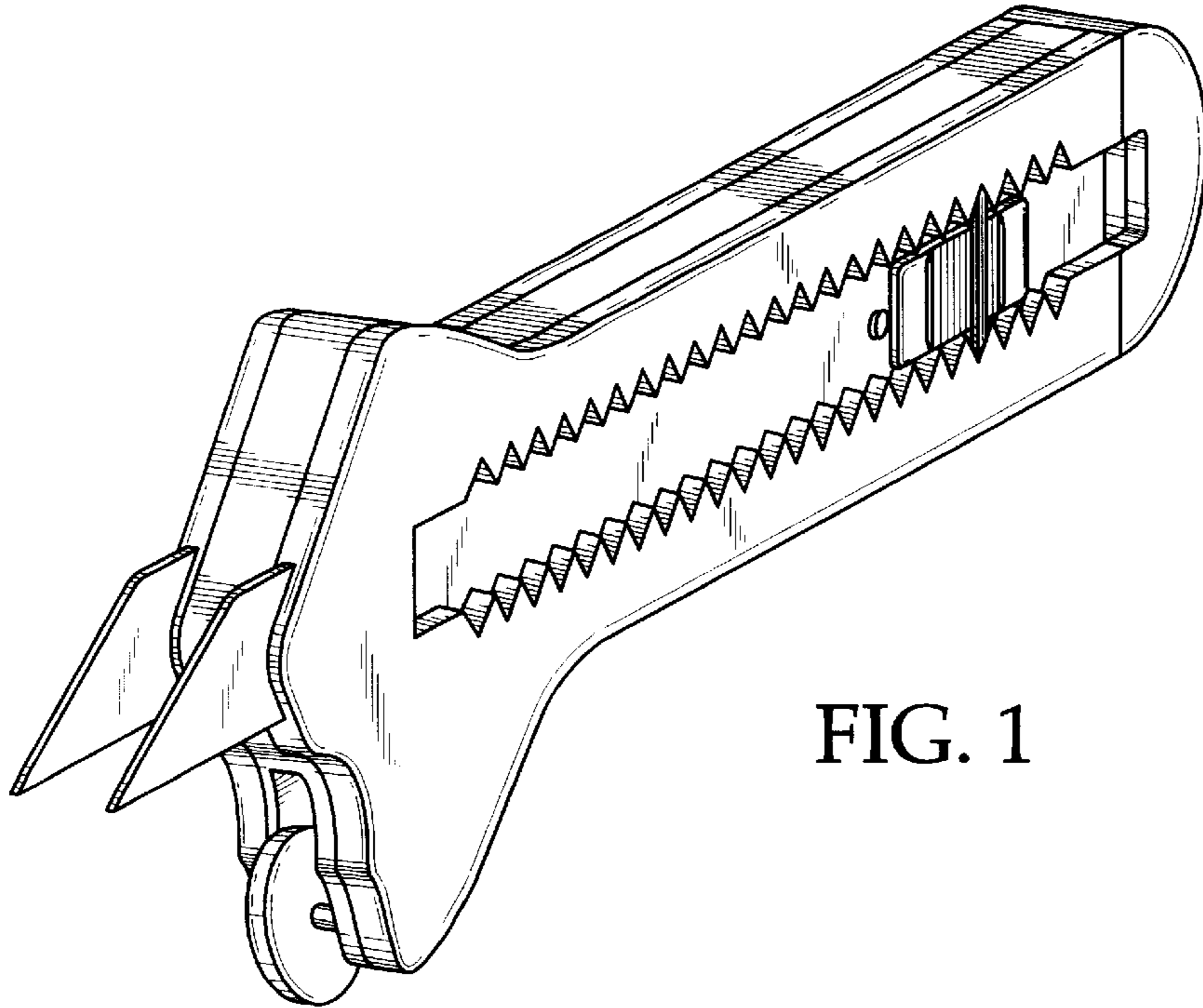


FIG. 1

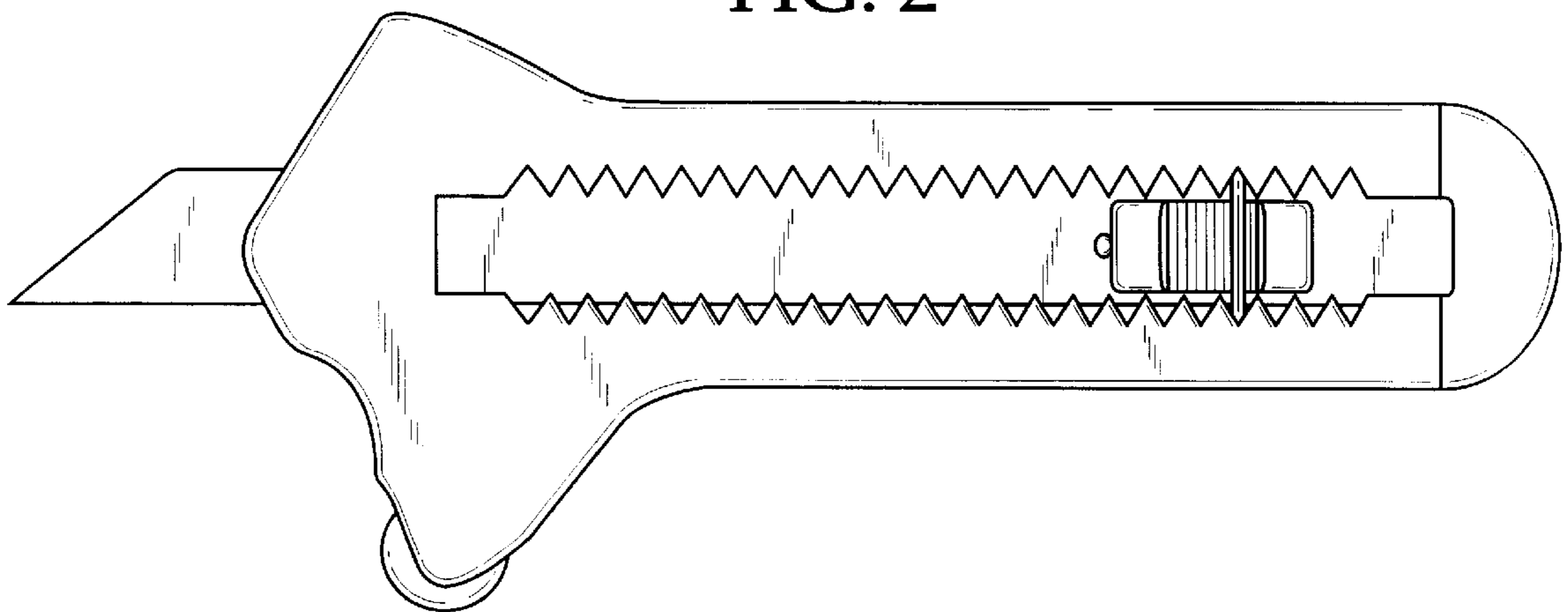


FIG. 2

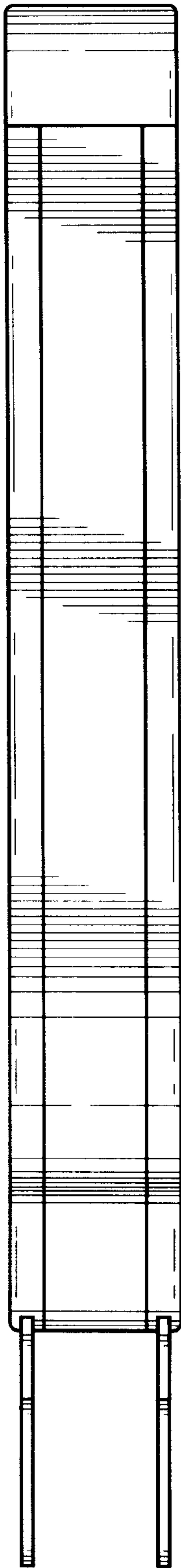


FIG. 3

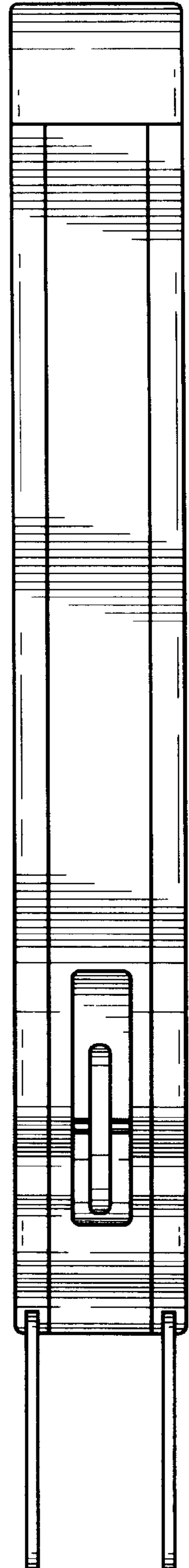


FIG. 4

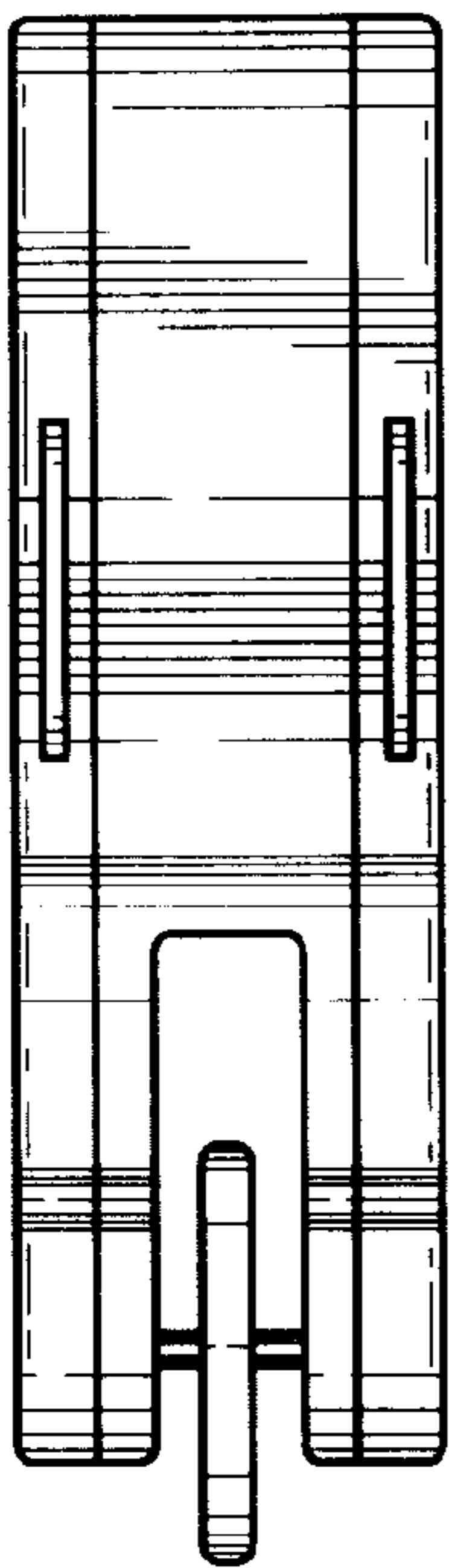


FIG. 5

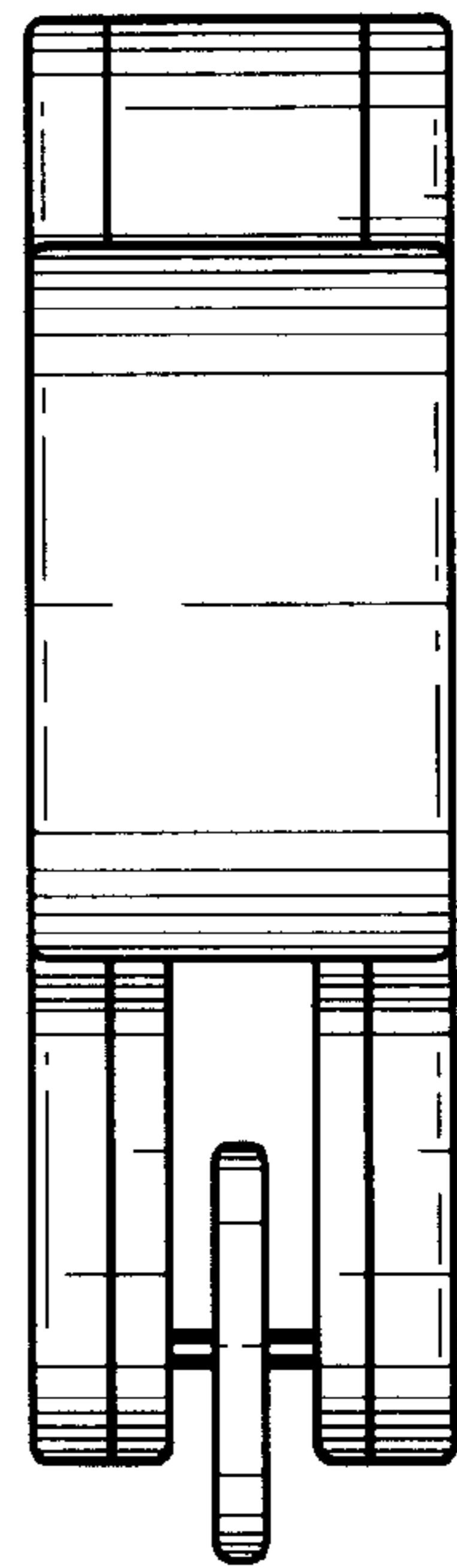


FIG. 6