



US00D418035S

United States Patent [19] Hatch

[11] **Patent Number: Des. 418,035**

[45] **Date of Patent: ** Dec. 28, 1999**

[54] **SCREWDRIVER HANDLE**

[76] Inventor: **William M. Hatch**, 200 Chartwell Road, Oakville, Ontario, Canada, L6J 3Z8

[**] Term: **14 Years**

[21] Appl. No.: **29/095,518**

[22] Filed: **Oct. 26, 1998**

[30] **Foreign Application Priority Data**

Apr. 24, 1998 [CA] Canada 1998-1004

[51] **LOC (6) Cl.** **08-04**

[52] **U.S. Cl.** **D8/83; D8/107**

[58] **Field of Search** D8/82, 83, 84, D8/85, 86, 87, 107, 303; 16/110 R; 81/436, 437, 438, 439, 440, 177.1

[56] **References Cited**

U.S. PATENT DOCUMENTS

- D. 256,547 8/1980 Holland-Letz D8/83
- D. 256,662 9/1980 Holland-Letz D8/83
- D. 256,882 9/1980 Janson D8/83
- D. 307,236 4/1990 Cascio et al. D8/82
- D. 346,943 5/1994 Haberstroh D8/83

- D. 386,063 11/1997 Badiali D8/83
- D. 386,382 11/1997 Shiao D8/83
- D. 398,828 9/1998 Shiao D8/83
- D. 400,420 11/1998 Shiao D8/83
- D. 402,176 12/1998 Lauster et al. D8/83

Primary Examiner—Philip S. Hyder
Attorney, Agent, or Firm—Ridout & Maybee

[57] **CLAIM**

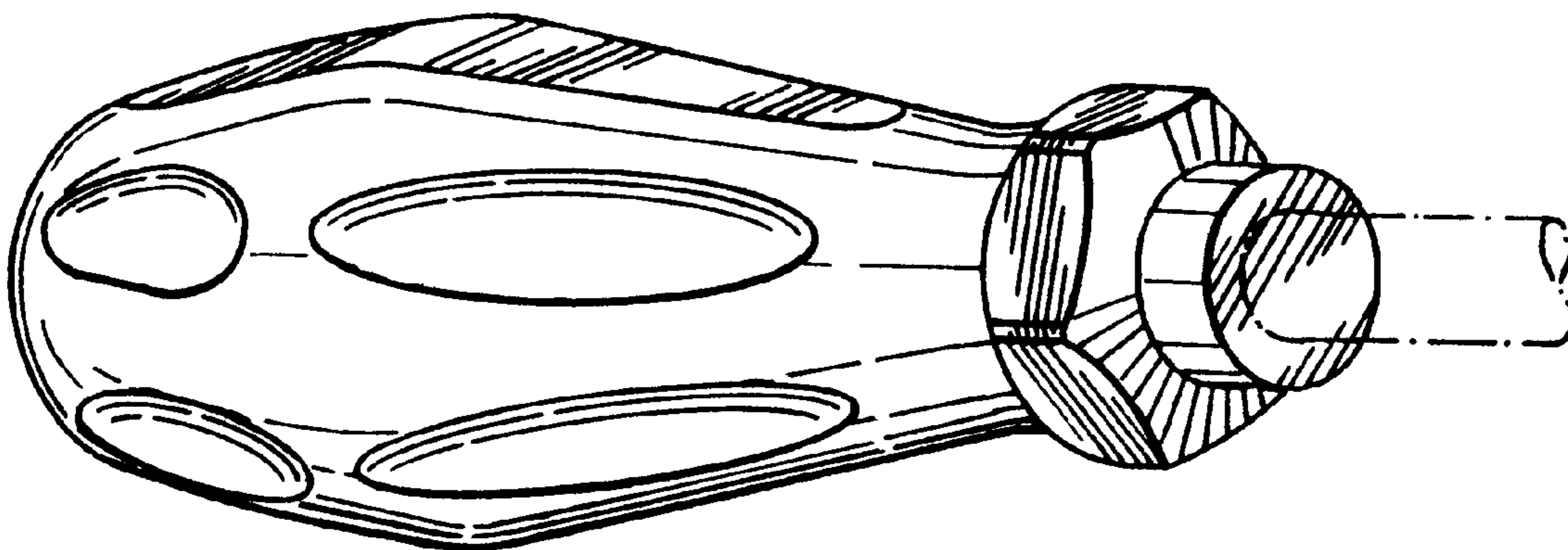
The ornamental design for a screwdriver handle, as shown and described.

DESCRIPTION

FIG. 1 is a perspective view of a screwdriver handle showing my new design;
FIG. 2 is a top plan view thereof, the bottom plan view being identical thereto;
FIG. 3 is a front elevational view thereof, the rear view being identical thereto;
FIG. 4 is a left end elevational view thereof;
FIG. 5 is a right end elevational view thereof; and,
FIG. 6 is a cross sectional view thereof, taken in the direction of the arrows 6—6 of FIG. 4.

The broken line portions of the disclosure are for illustrative purposes only and form no part of the claimed design.

1 Claim, 2 Drawing Sheets



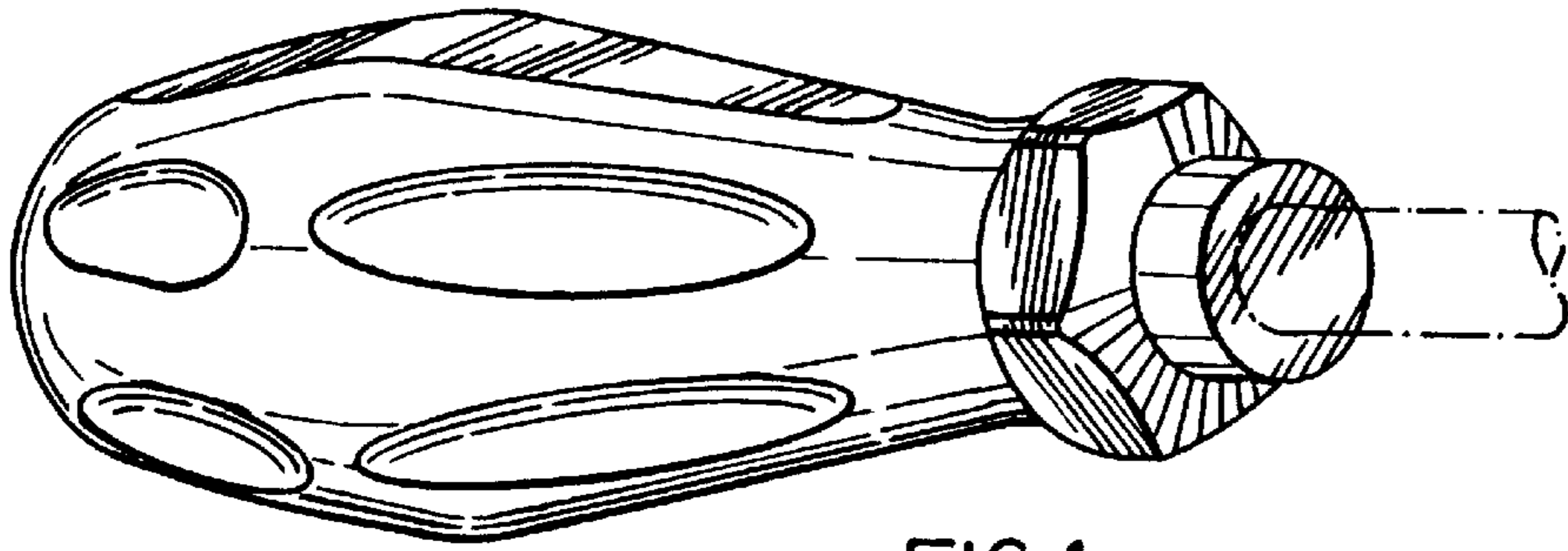


FIG. 1

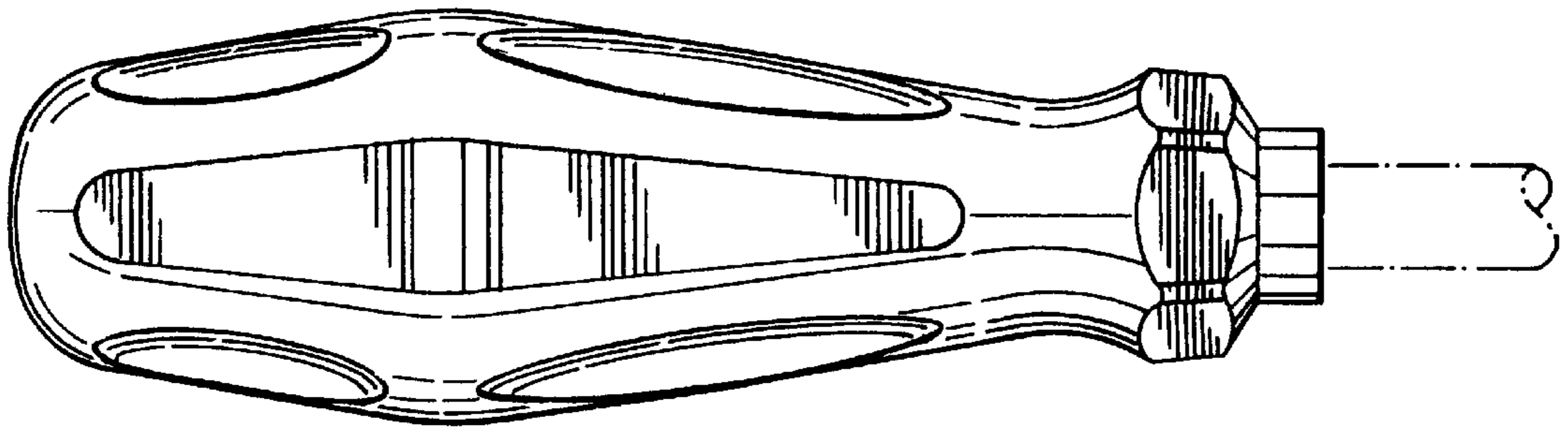


FIG. 2

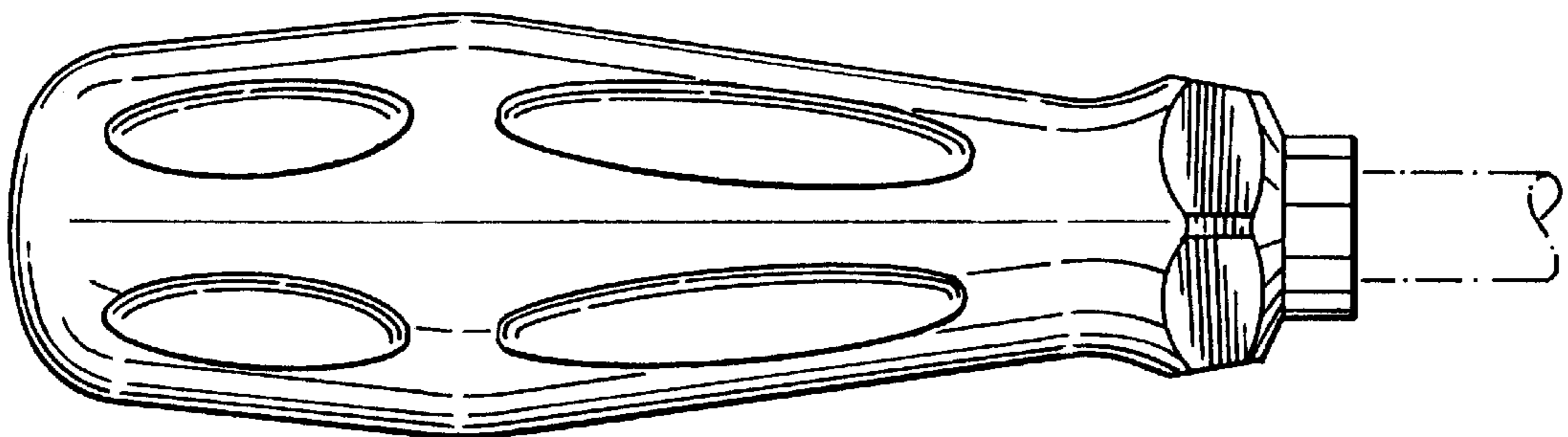


FIG. 3

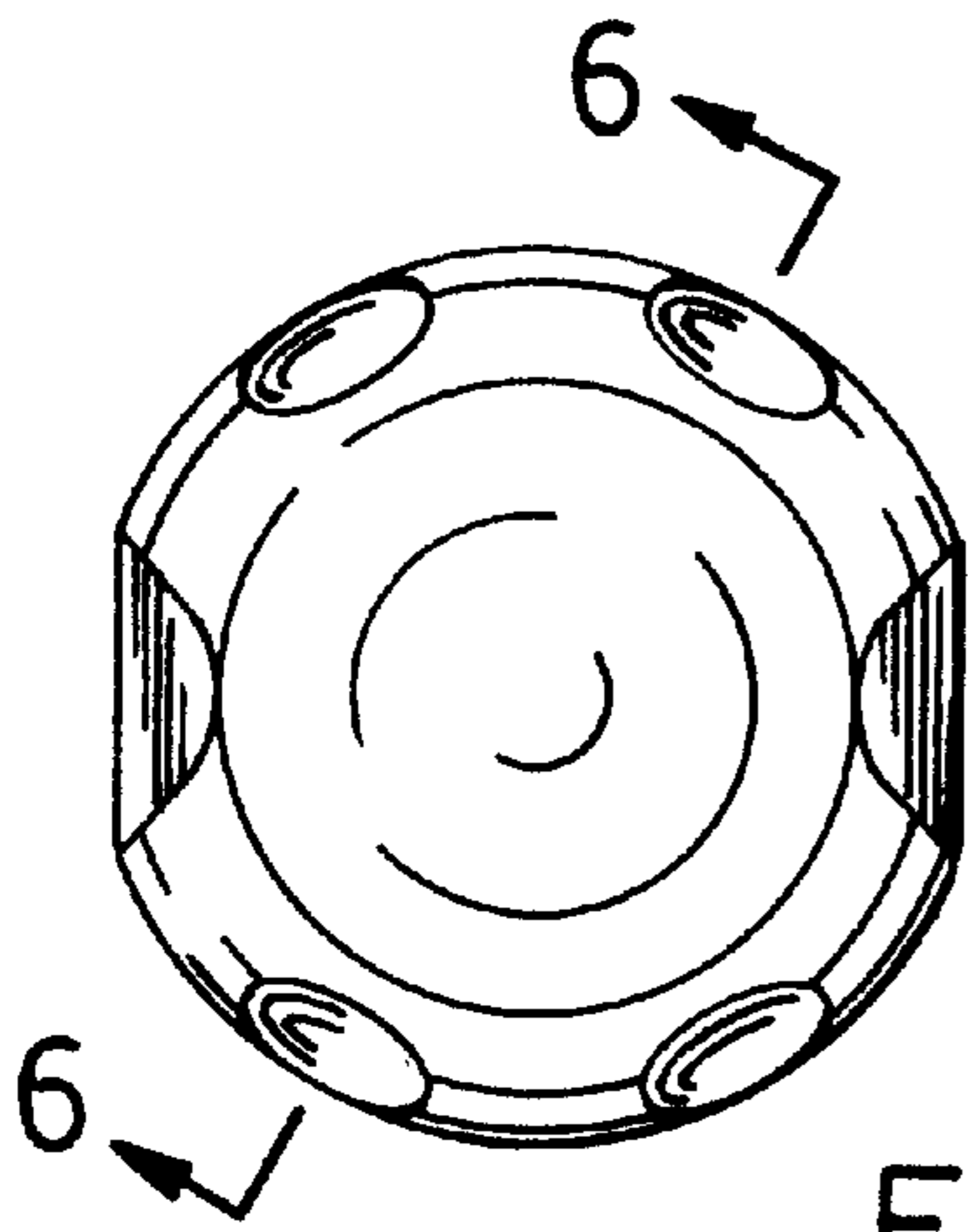


FIG. 4

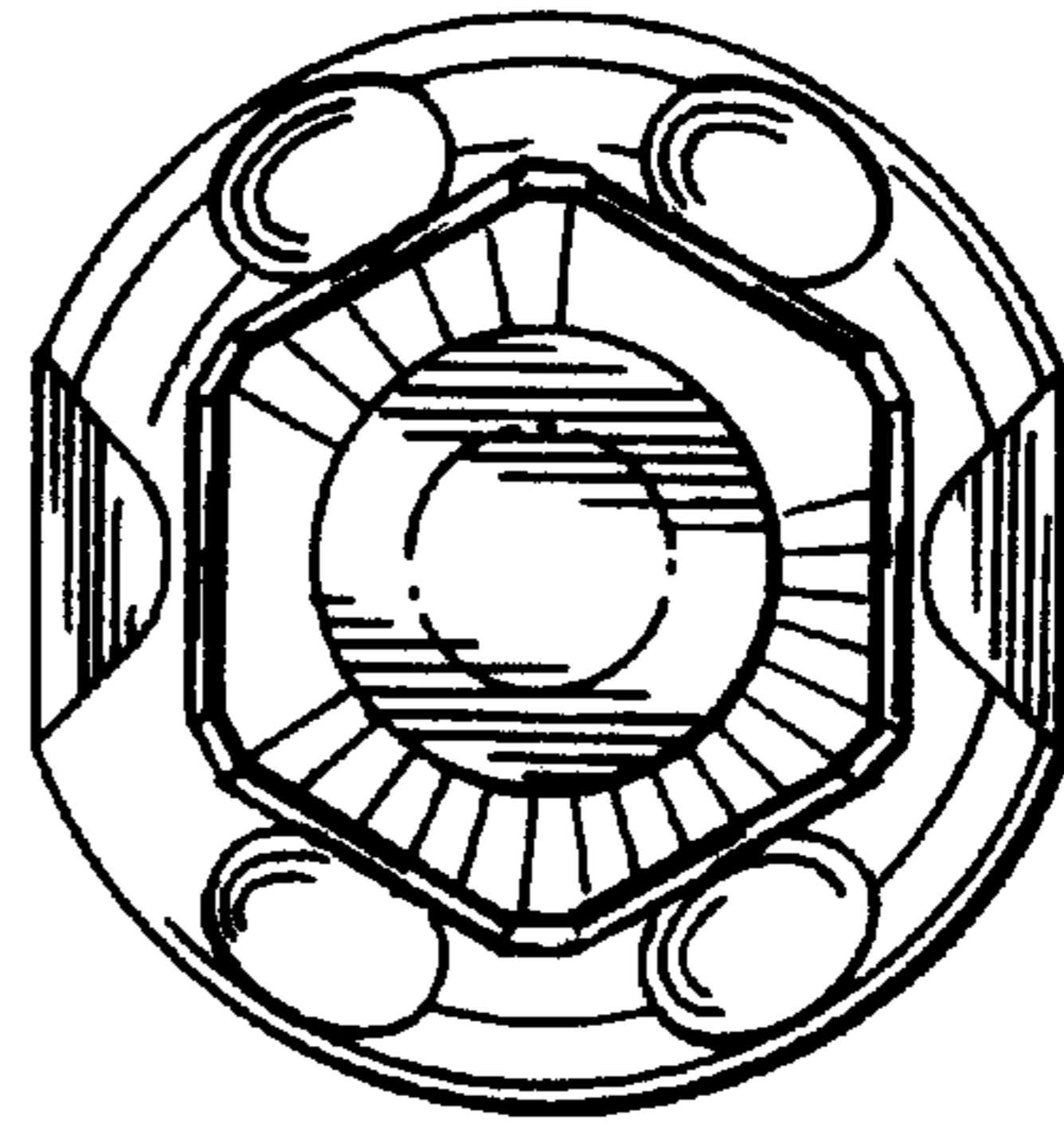


FIG. 5

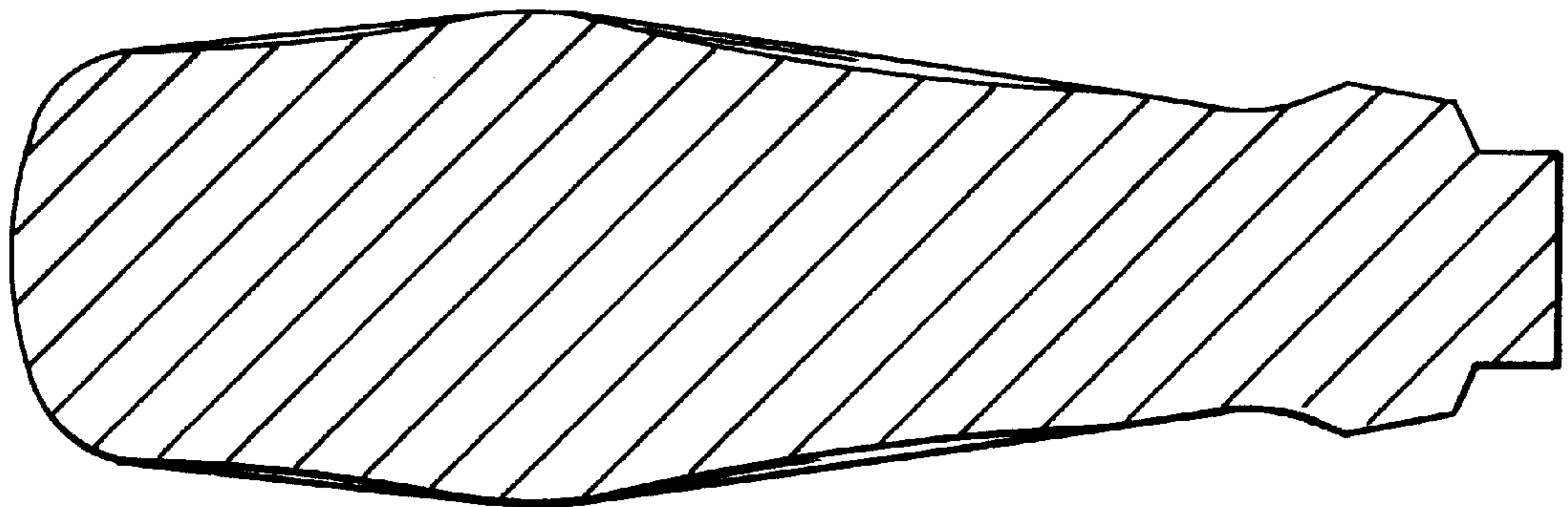


FIG. 6