



US00D418032S

United States Patent [19]

Watson et al.

[11] **Patent Number: Des. 418,032**

[45] **Date of Patent: ** Dec. 28, 1999**

[54] **TRIM SAW**

[75] Inventors: **James B. Watson**, Conyers; **David Wikle**, Locust Grove, both of Ga.

[73] Assignee: **Ryobi North America, Inc.**, Anderson, S.C.

[**] Term: **14 Years**

[21] Appl. No.: **29/092,246**

[22] Filed: **Aug. 14, 1998**

[51] **LOC (6) Cl.** **08-03**

[52] **U.S. Cl.** **D8/66**

[58] **Field of Search** D8/61, 66, 69;
30/388-391

[56] **References Cited**

U.S. PATENT DOCUMENTS

- D. 262,772 1/1982 Glass et al. .
- D. 329,363 9/1992 Sasaki et al. .

- D. 332,732 1/1993 Fushiya et al. D8/66
- D. 335,433 5/1993 Schultz et al. .
- D. 363,656 10/1995 Gierke .
- D. 375,439 11/1996 Niwa et al. .
- D. 401,827 12/1998 Lui D8/66
- 4,555,849 12/1985 Ando et al. .

Primary Examiner—Nelson C. Holtje
Attorney, Agent, or Firm—Brooks & Kushman P.C.

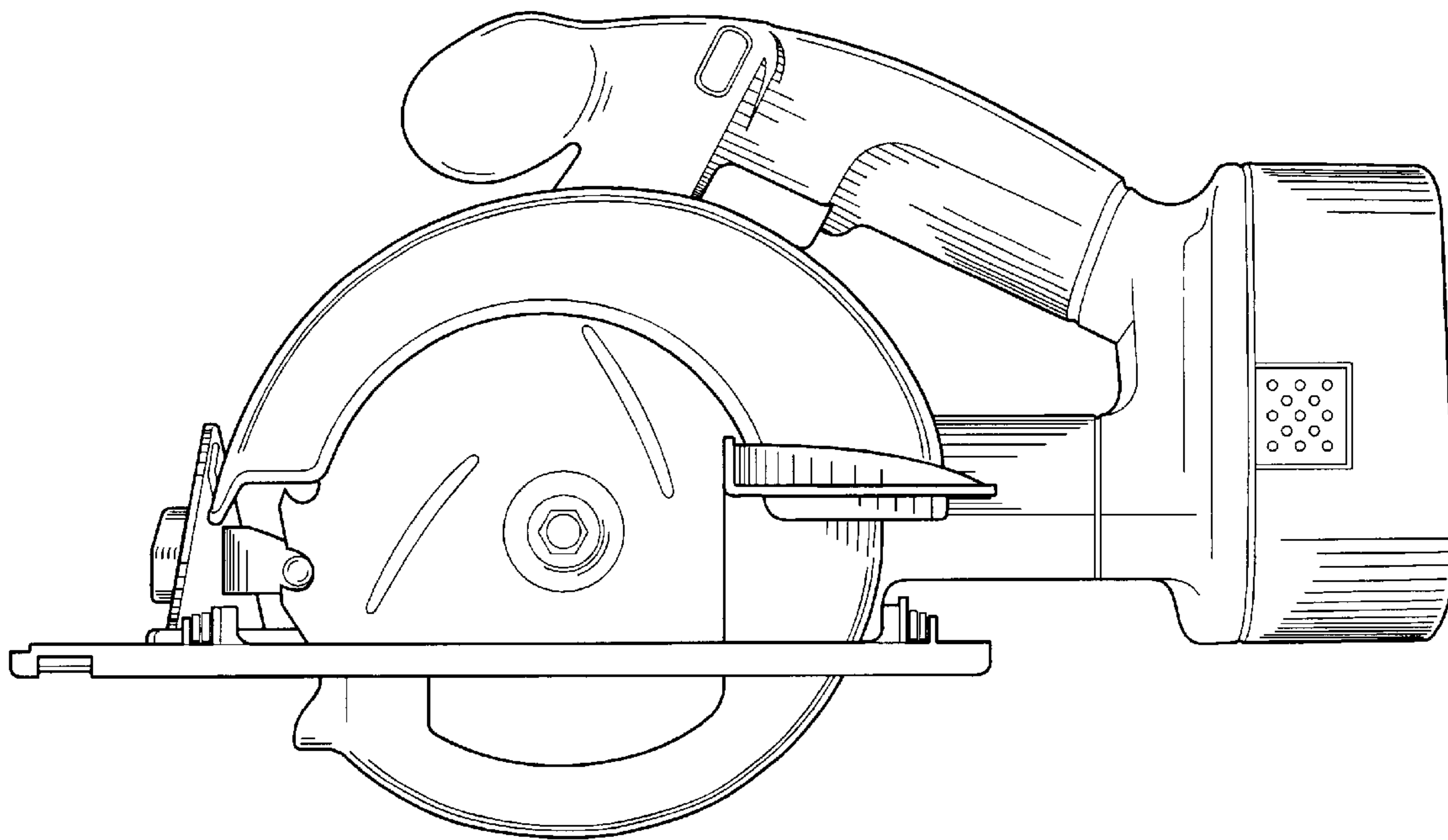
[57] **CLAIM**

The ornamental design for a trim saw, as shown and described.

DESCRIPTION

FIG. 1 is a left side elevational view of a trim saw; FIG. 2 is a right side elevational view; FIG. 3 is a top plan view; FIG. 4 is a bottom plan view; FIG. 5 is a front end elevational view; and, FIG. 6 is a rear end elevational view.

1 Claim, 3 Drawing Sheets



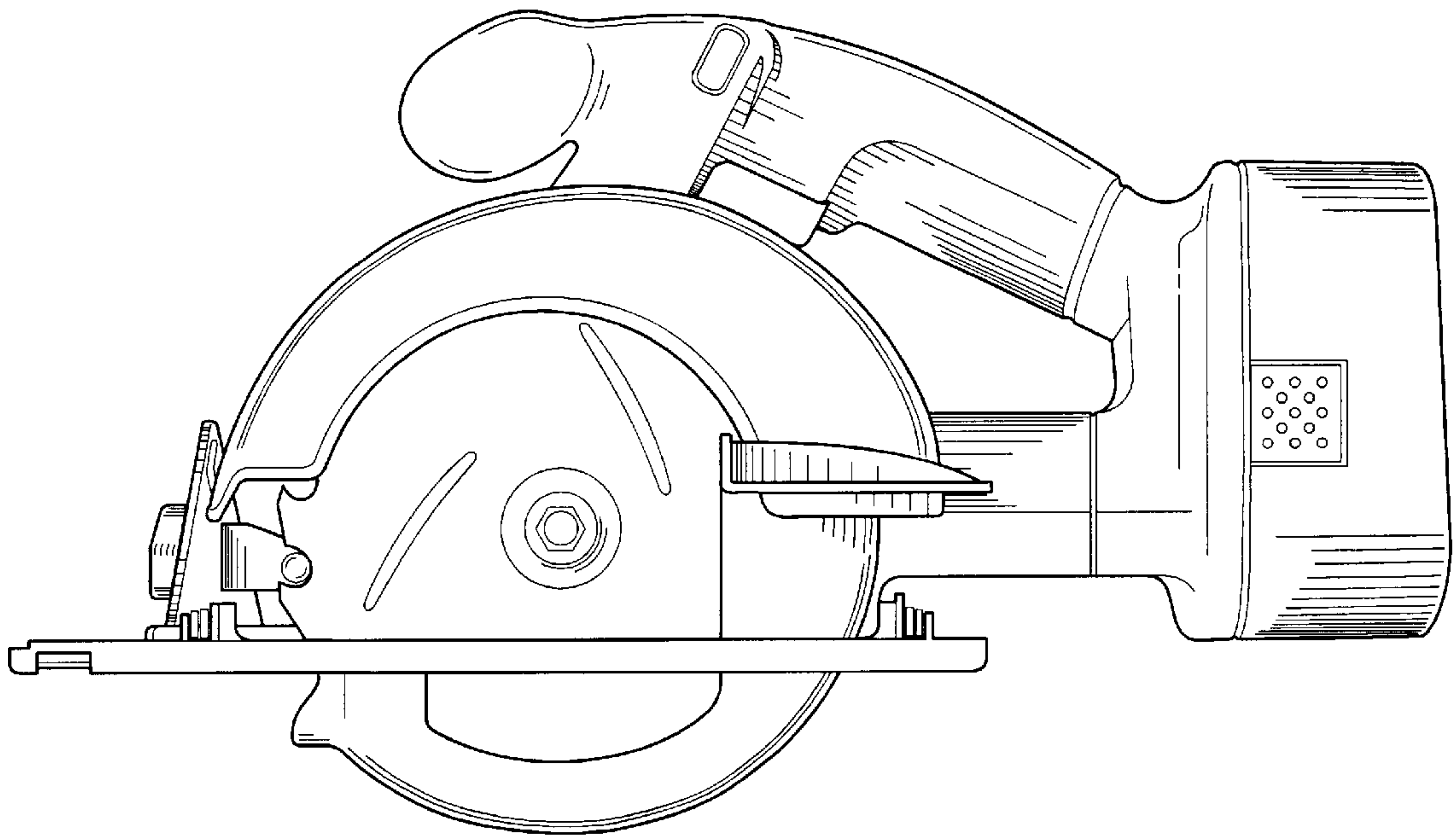


FIGURE - 1

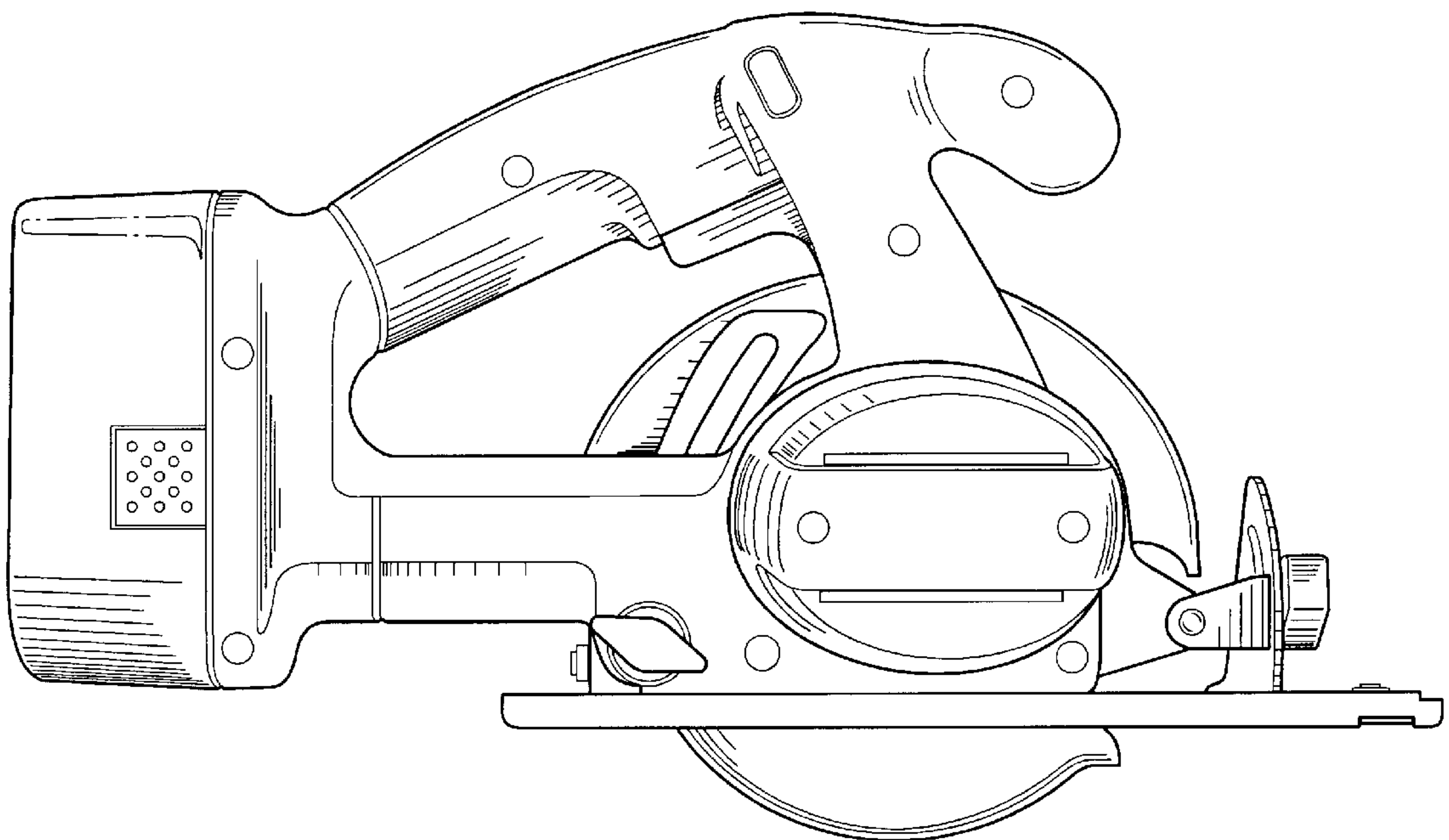


FIGURE - 2

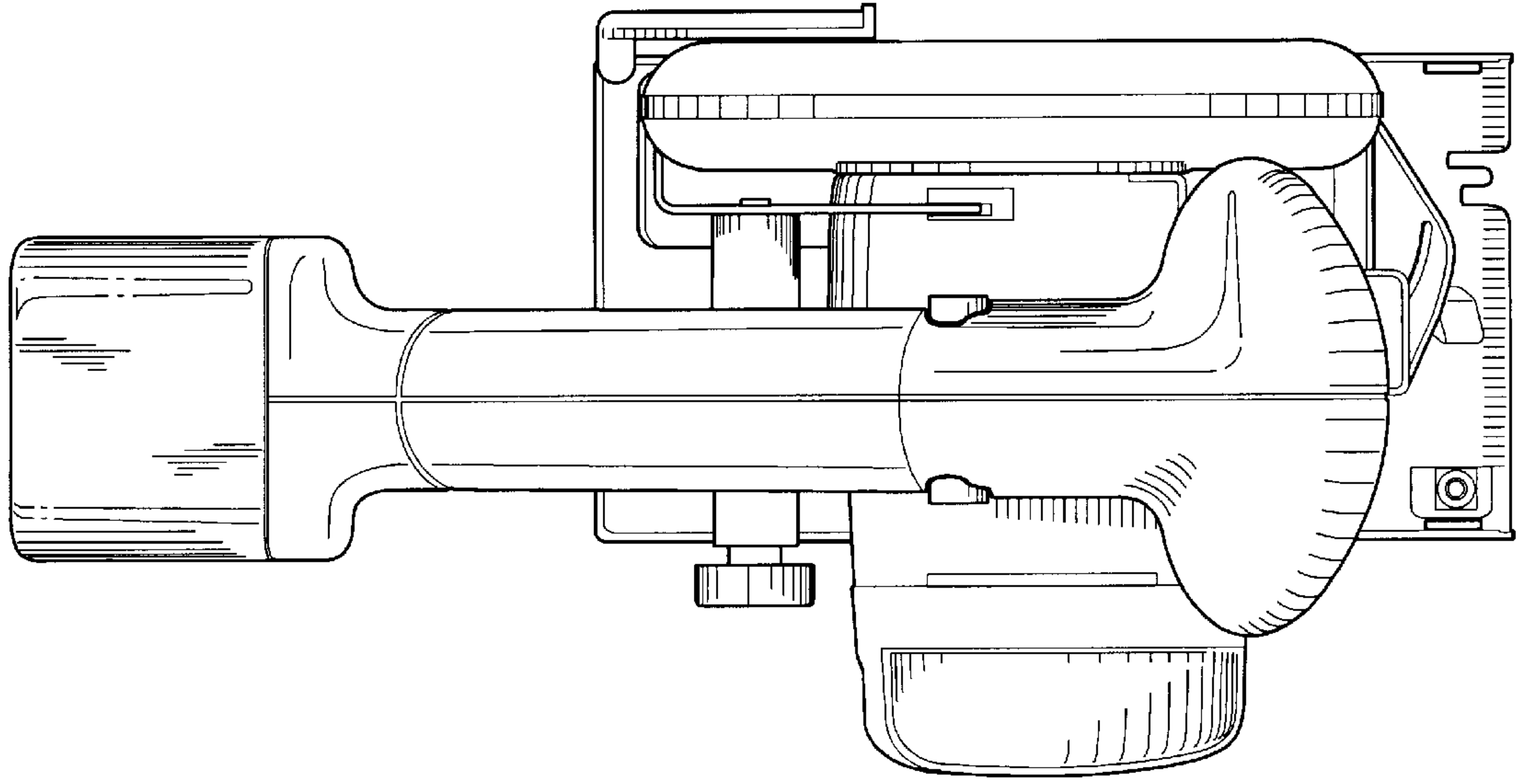


FIGURE - 3

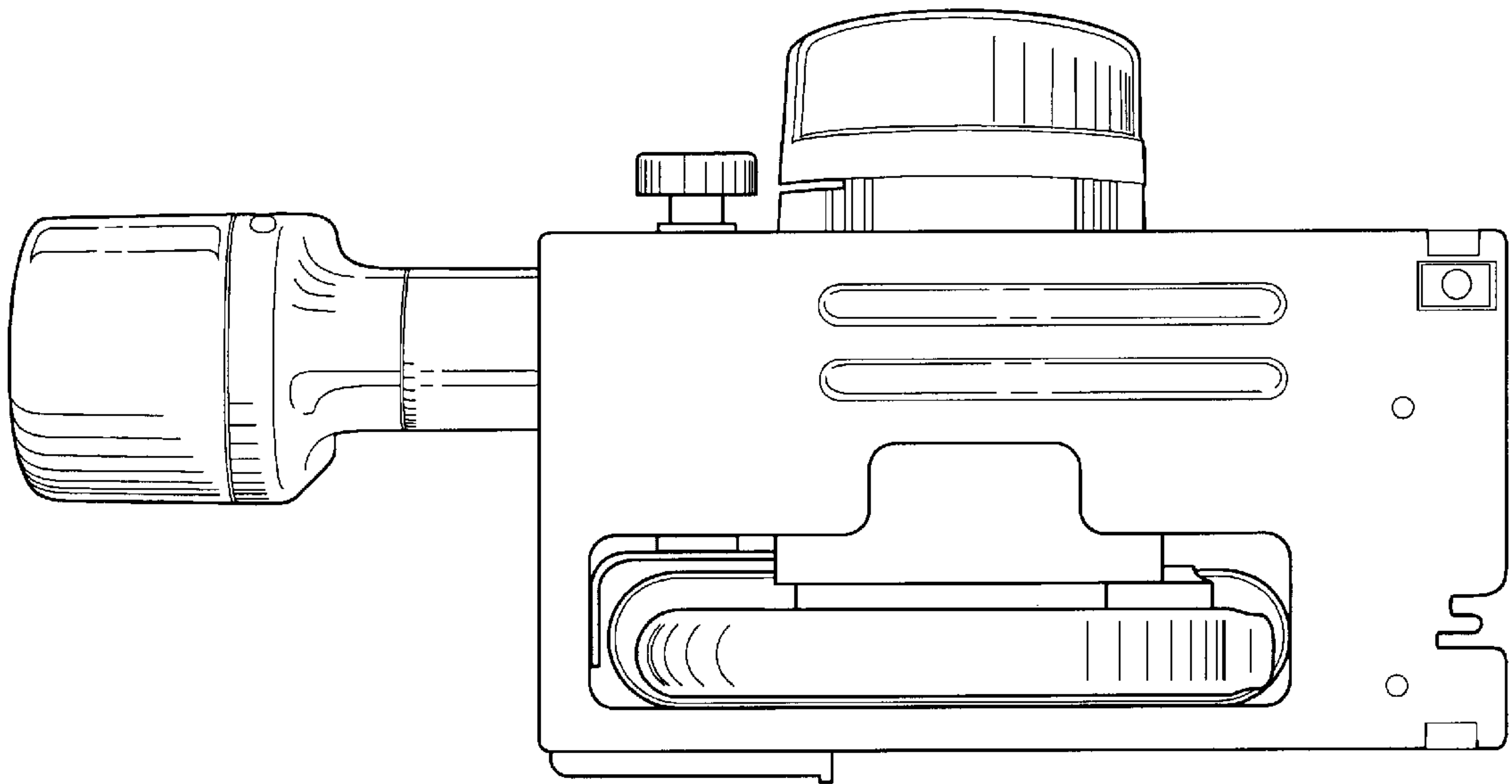


FIGURE - 4

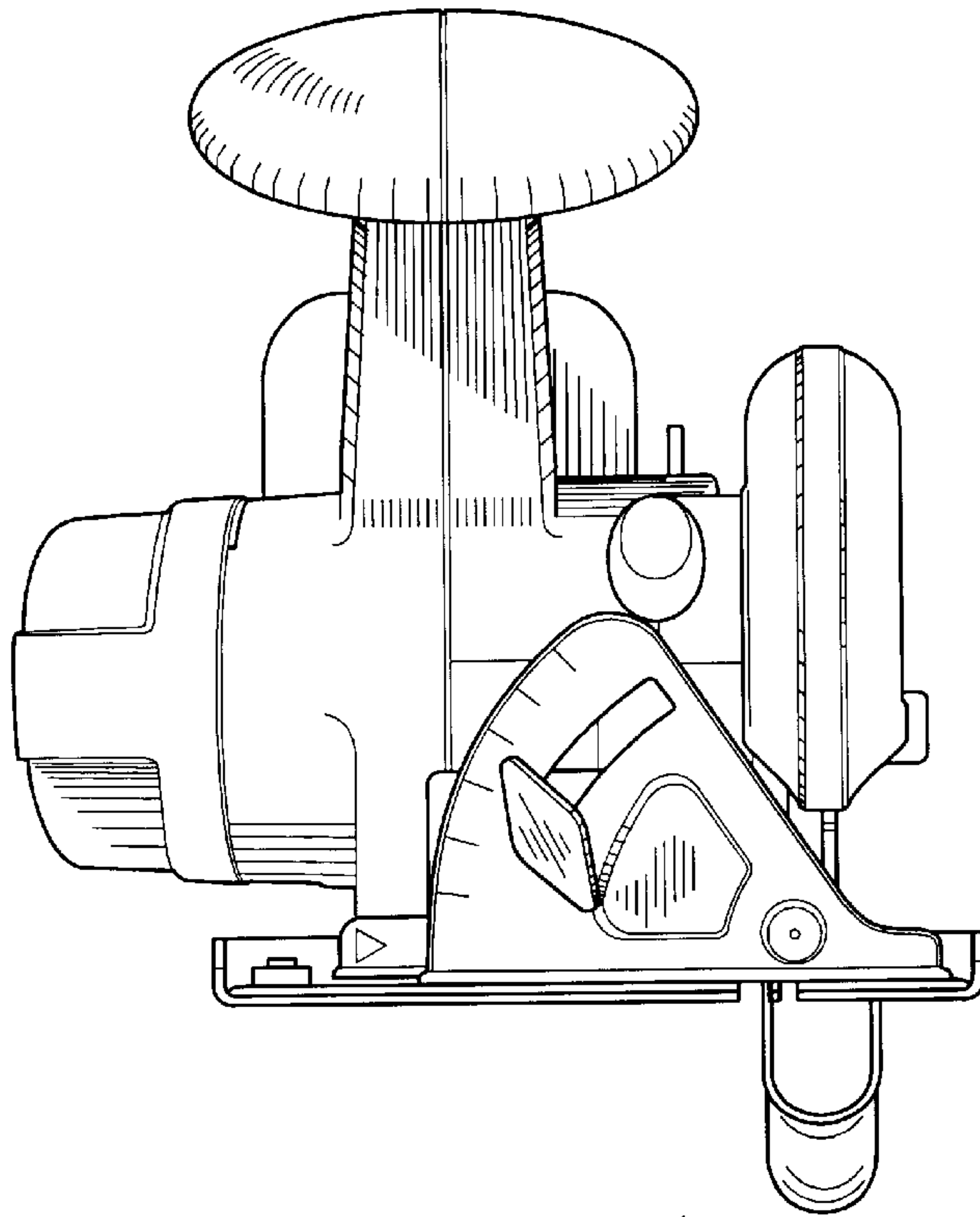


FIGURE - 5

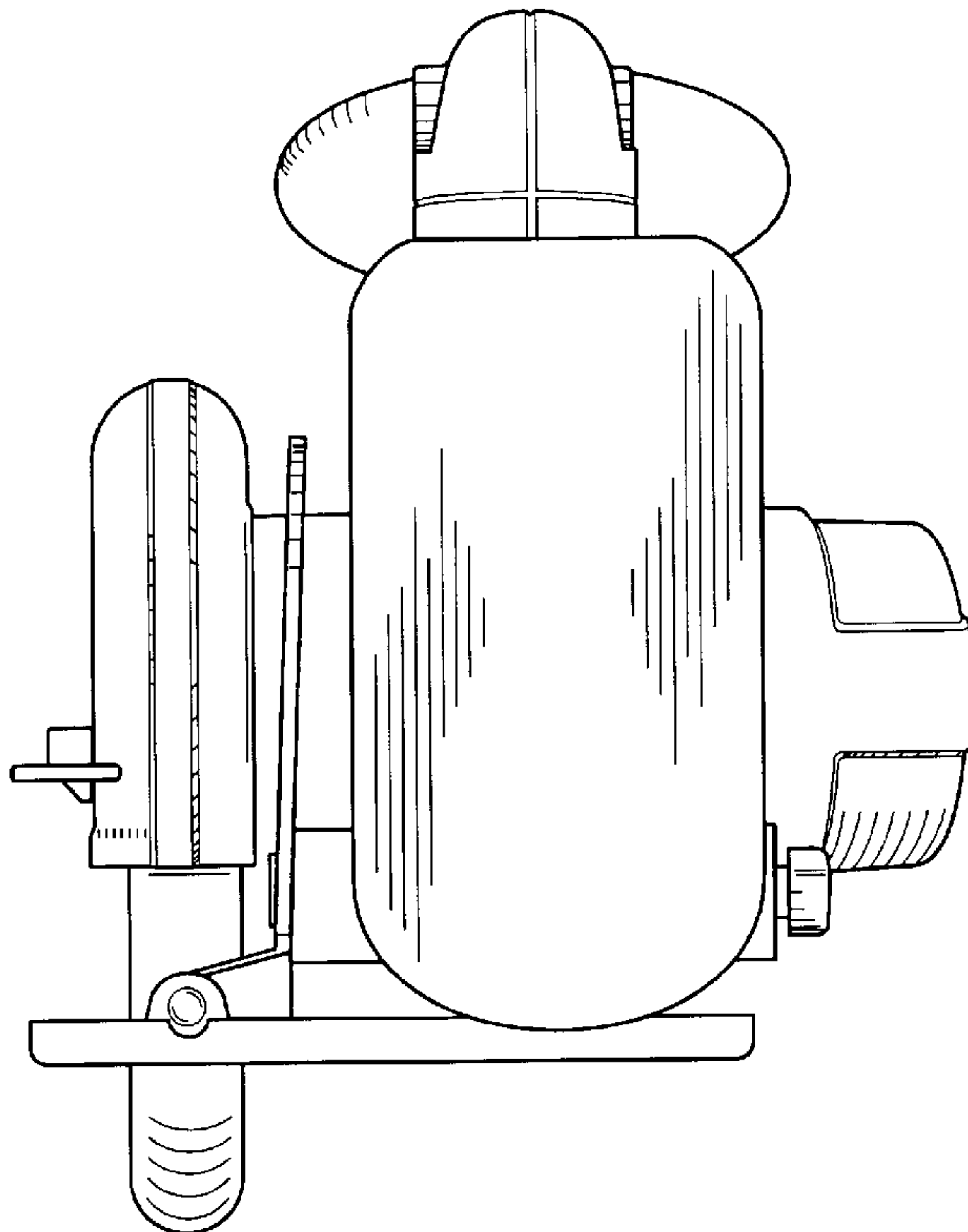


FIGURE - 6