



US00D418029S

# United States Patent [19] Leverrier

[11] Patent Number: **Des. 418,029**

[45] Date of Patent: **\*\* Dec. 28, 1999**

[54] **CAN OPENER**

[75] Inventor: **Bruno Leverrier**, Lassay-les-Châteaux,  
France

[73] Assignee: **Robert Krups GmbH & Co. KG**,  
Solingen, Germany

[\*\*] Term: **14 Years**

[21] Appl. No.: **29/080,739**

[22] Filed: **Dec. 15, 1997**

[30] **Foreign Application Priority Data**

Jun. 13, 1997 [FR] France ..... 97 3428

[51] **LOC (6) Cl.** ..... **07-99**

[52] **U.S. Cl.** ..... **D8/36**

[58] **Field of Search** ..... D8/33-43, 18,  
D8/19; 30/400-443; 81/3.07-3.49; 7/151-156

[56] **References Cited**

**U.S. PATENT DOCUMENTS**

D. 280,970	10/1985	Van Asten et al. ....	D8/36
D. 295,139	4/1988	Ohnishi et al. ....	D8/41
D. 301,828	6/1989	Wong ..... ..	D8/36
D. 311,481	10/1990	Van Asten ..... ..	D8/36

D. 319,956	9/1991	Barrault ..... ..	D8/36
D. 387,641	12/1997	Naft et al. ....	D8/35
D. 392,857	3/1998	Lallemond ..... ..	D8/36
2,612,287	9/1952	Snook ..... ..	7/151 X
2,883,745	4/1959	Bristol ..... ..	30/401
3,791,029	2/1974	Yamamoto ..... ..	30/404
4,622,749	11/1986	Inagaki ..... ..	30/421
4,726,119	2/1988	Lee ..... ..	30/418
4,734,985	4/1988	Ozaki ..... ..	30/404

*Primary Examiner*—Jeffrey Asch  
*Attorney, Agent, or Firm*—Darby & Darby

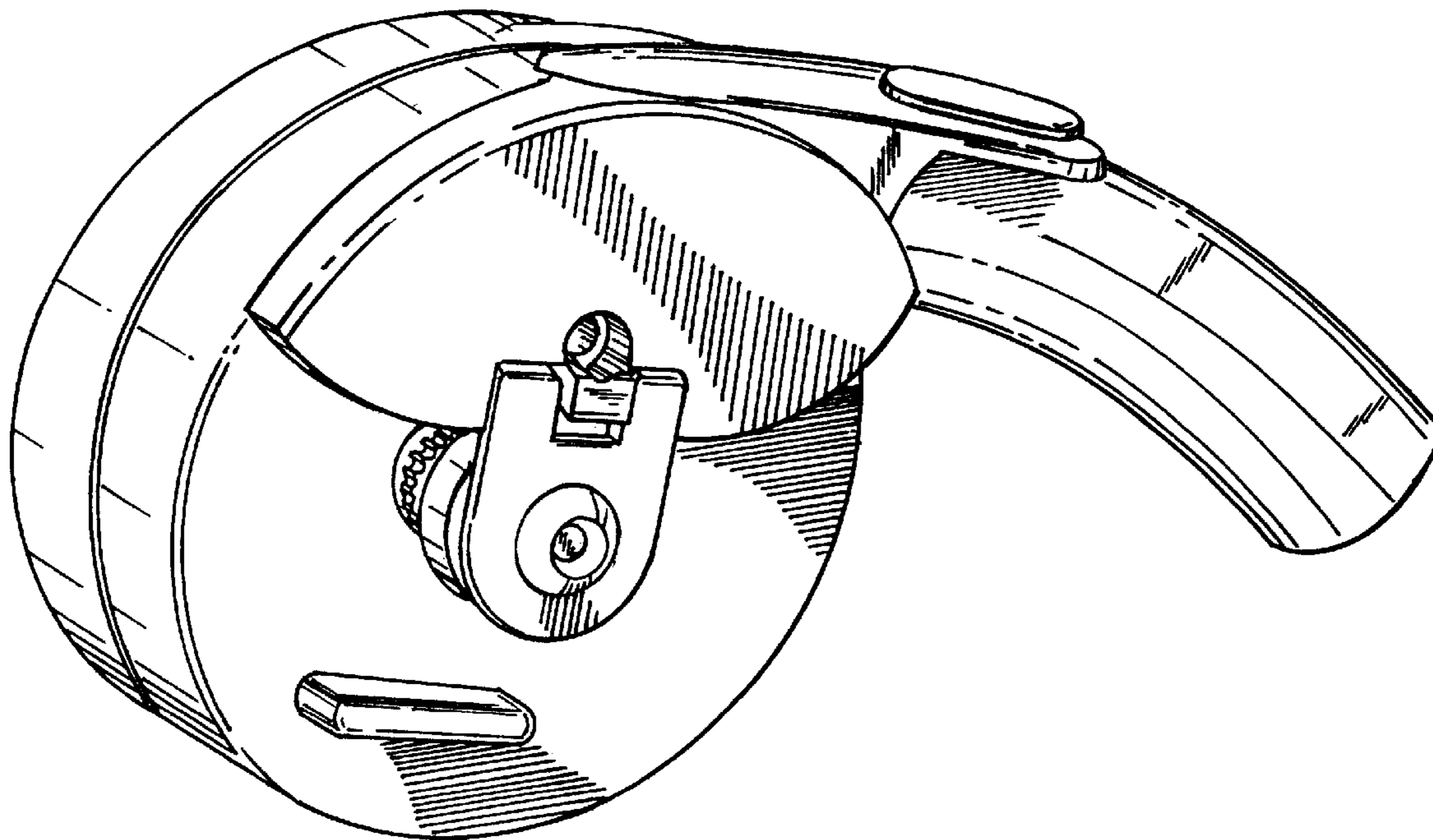
[57] **CLAIM**

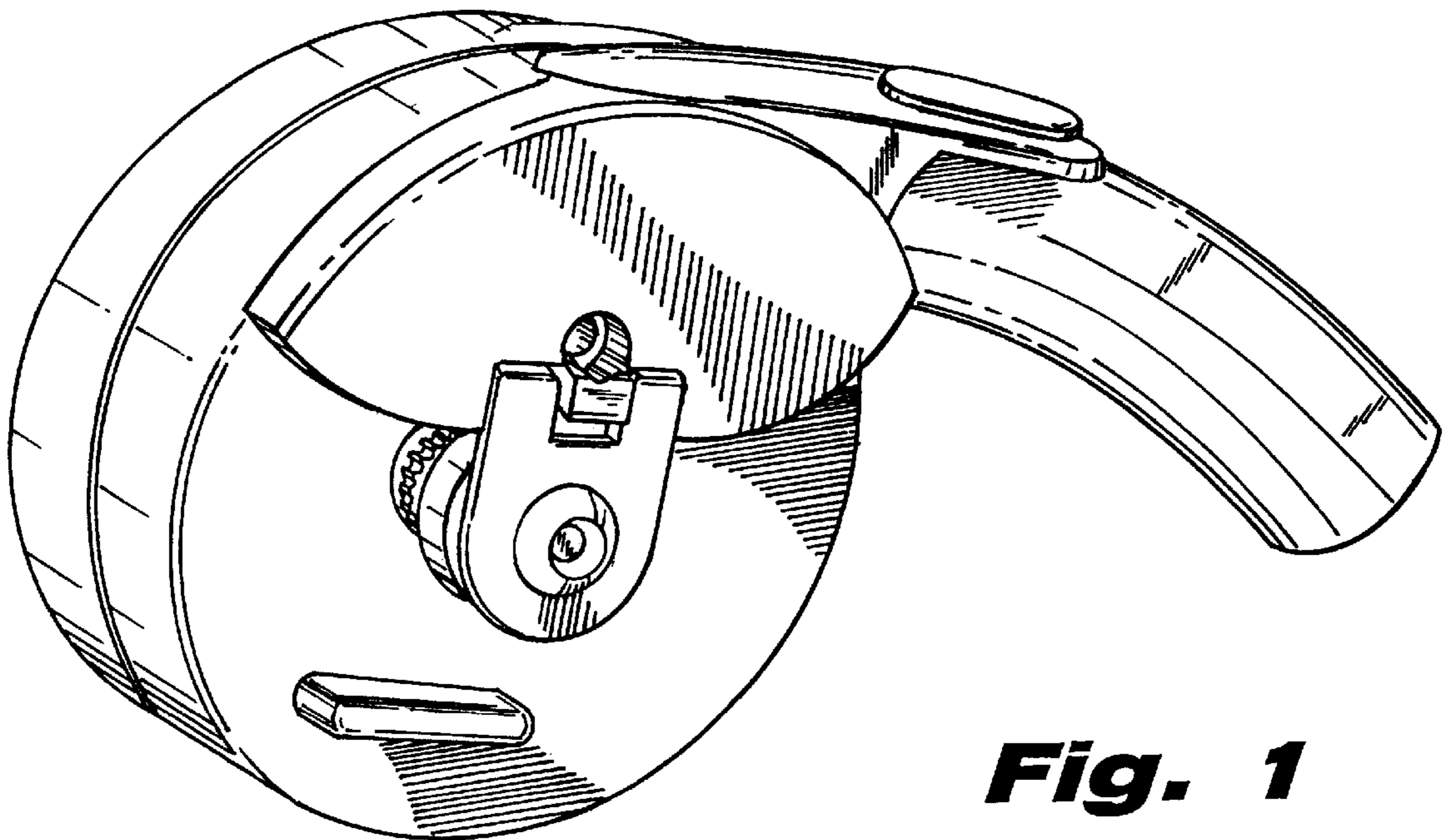
The ornamental design for a can opener, as shown and described.

**DESCRIPTION**

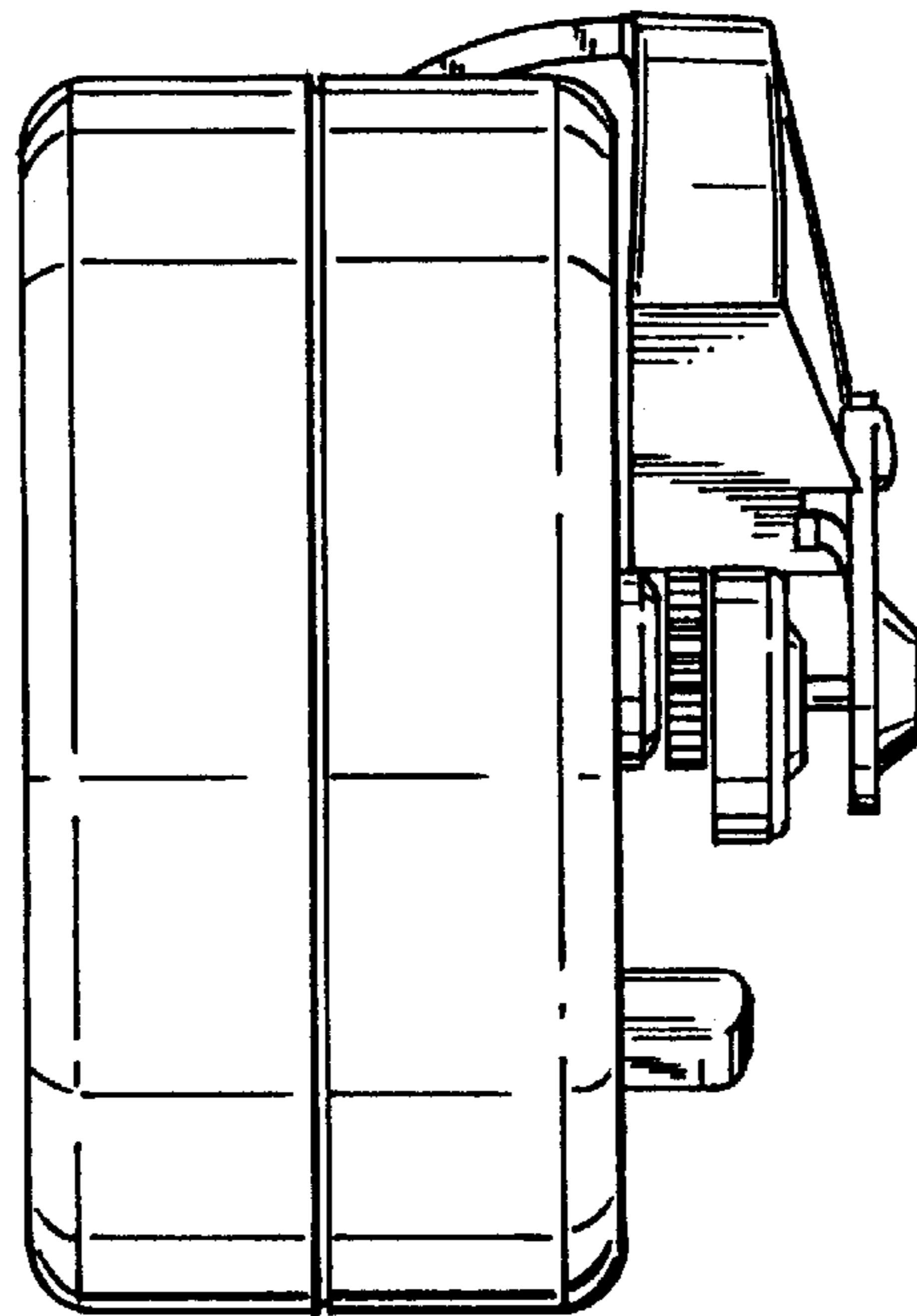
FIG. 1 is a top, front and right side perspective view of a can opener showing my new design;  
FIG. 2 is a front elevational view thereof;  
FIG. 3 is a right side elevational view thereof;  
FIG. 4 is a left side elevational view thereof;  
FIG. 5 is a rear elevational view thereof;  
FIG. 6 is a top plan view thereof; and,  
FIG. 7 is a bottom plan view thereof.

**1 Claim, 5 Drawing Sheets**

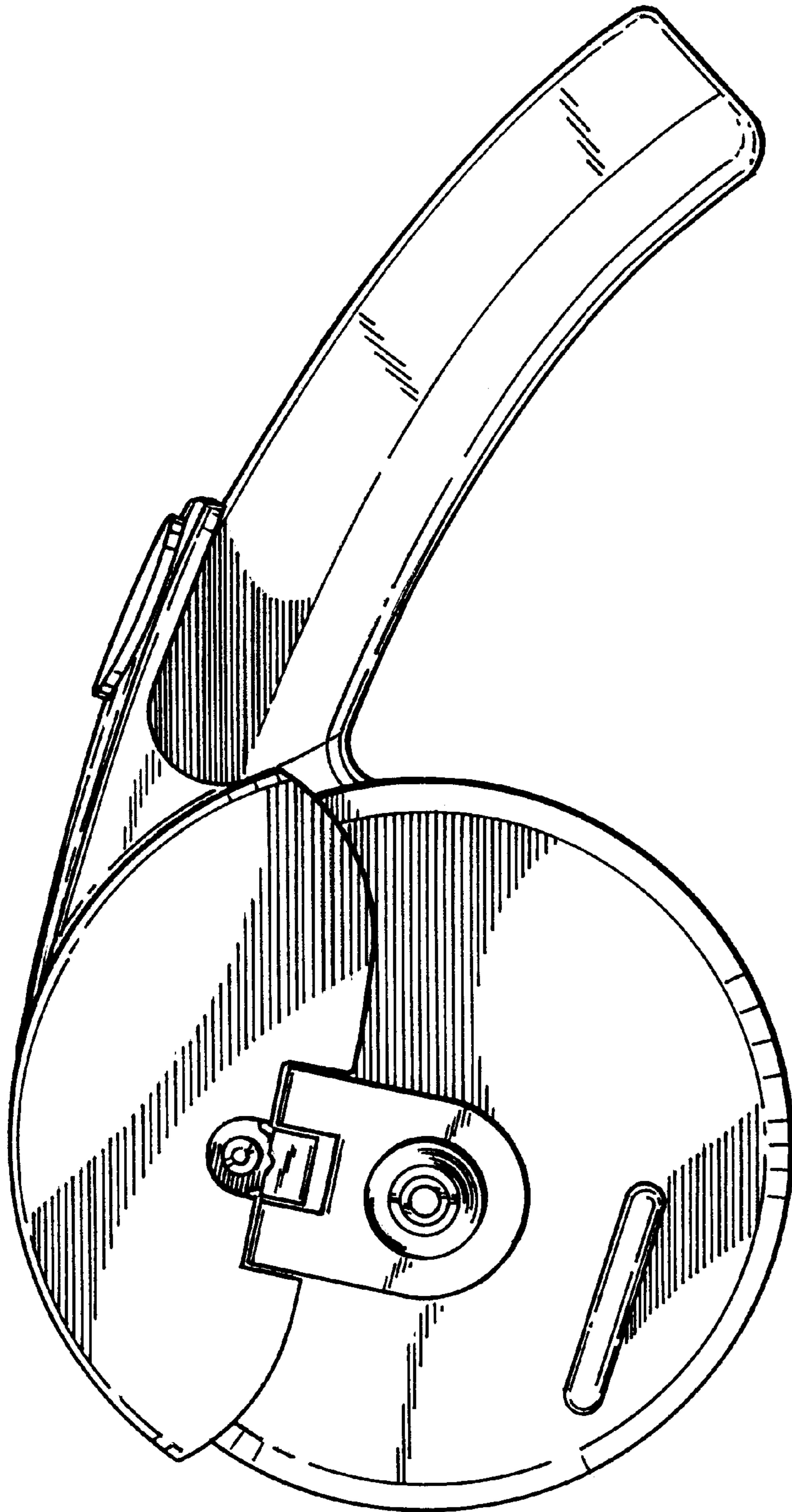




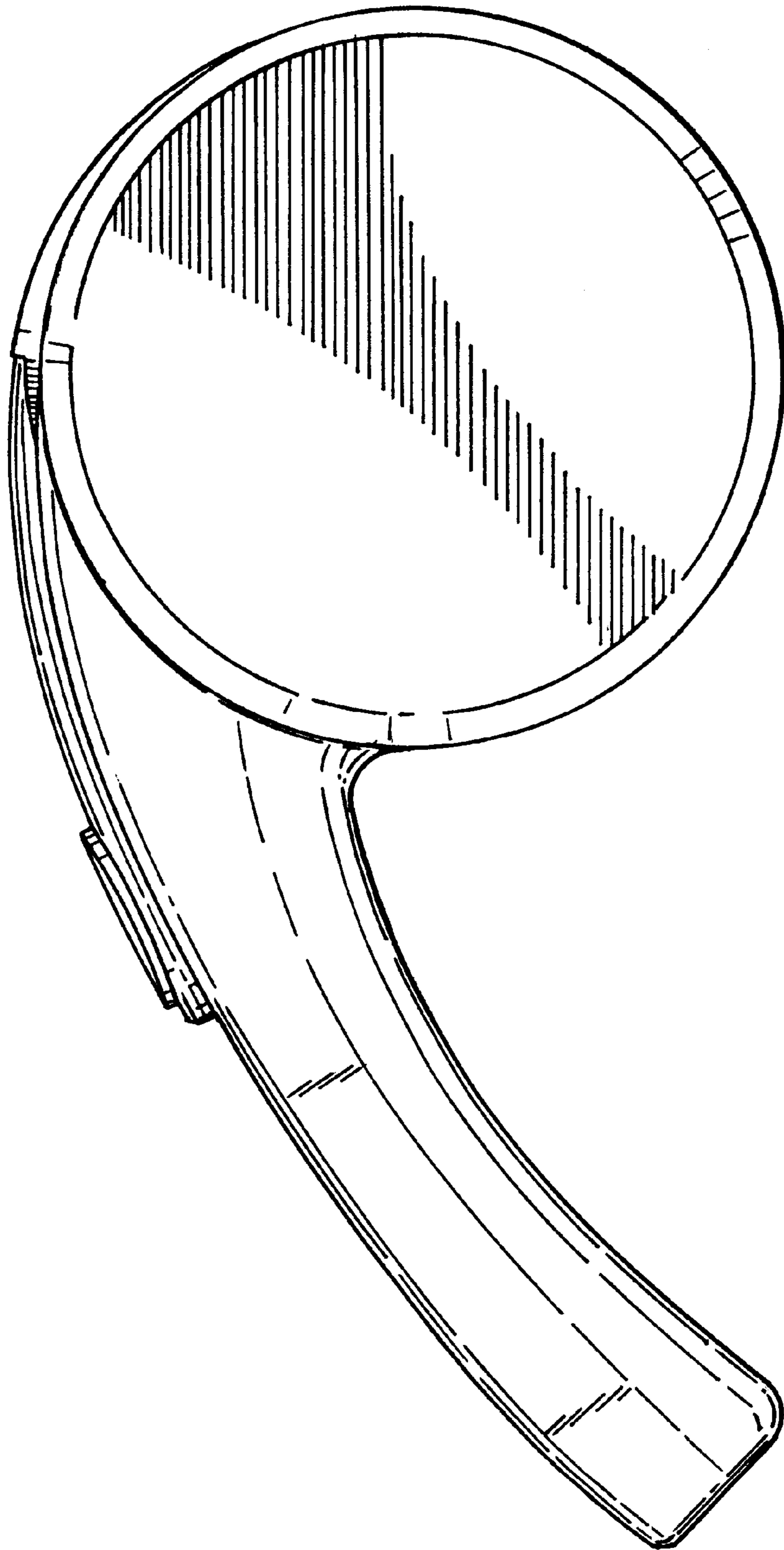
**Fig. 1**



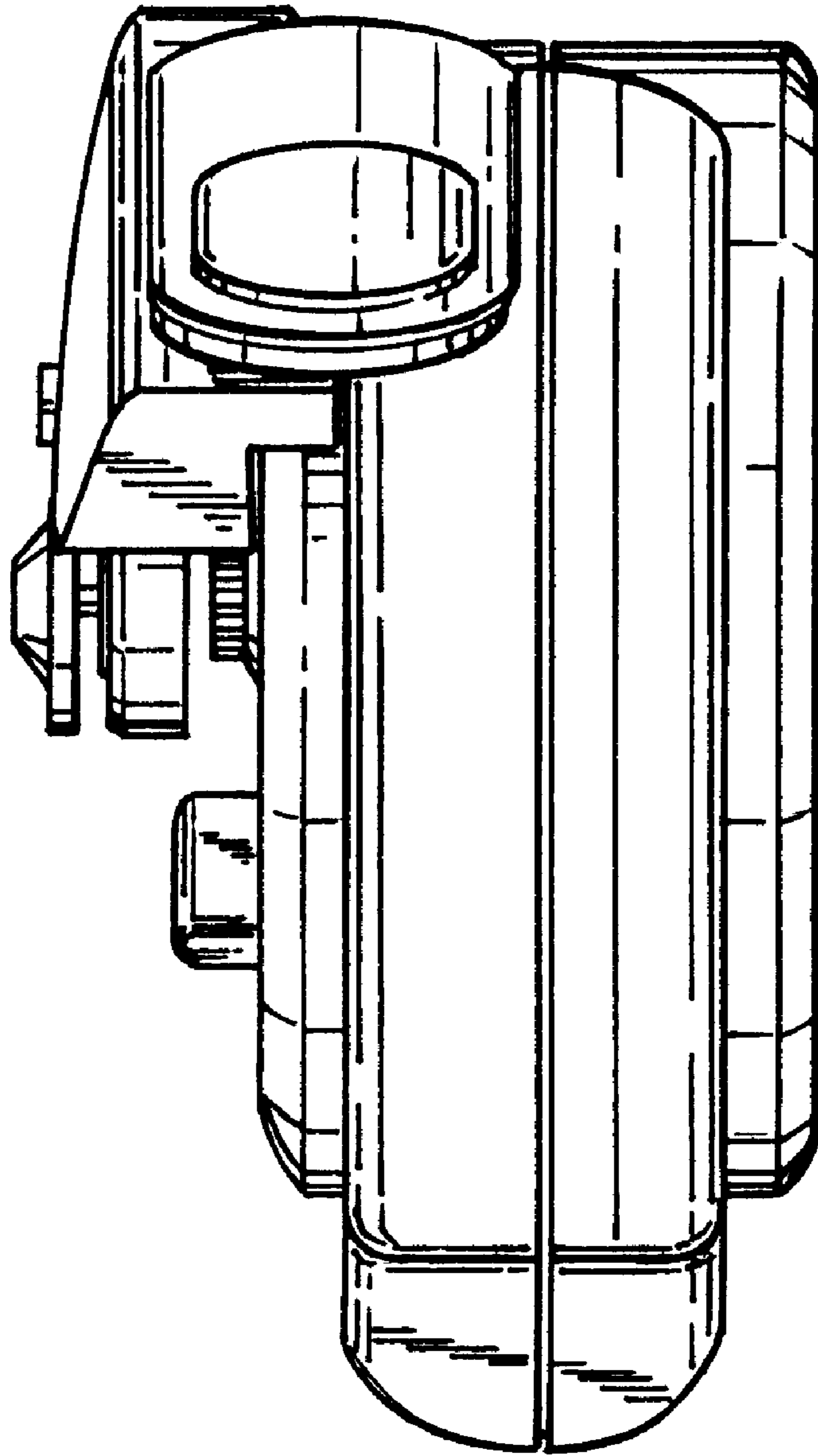
**Fig. 2**



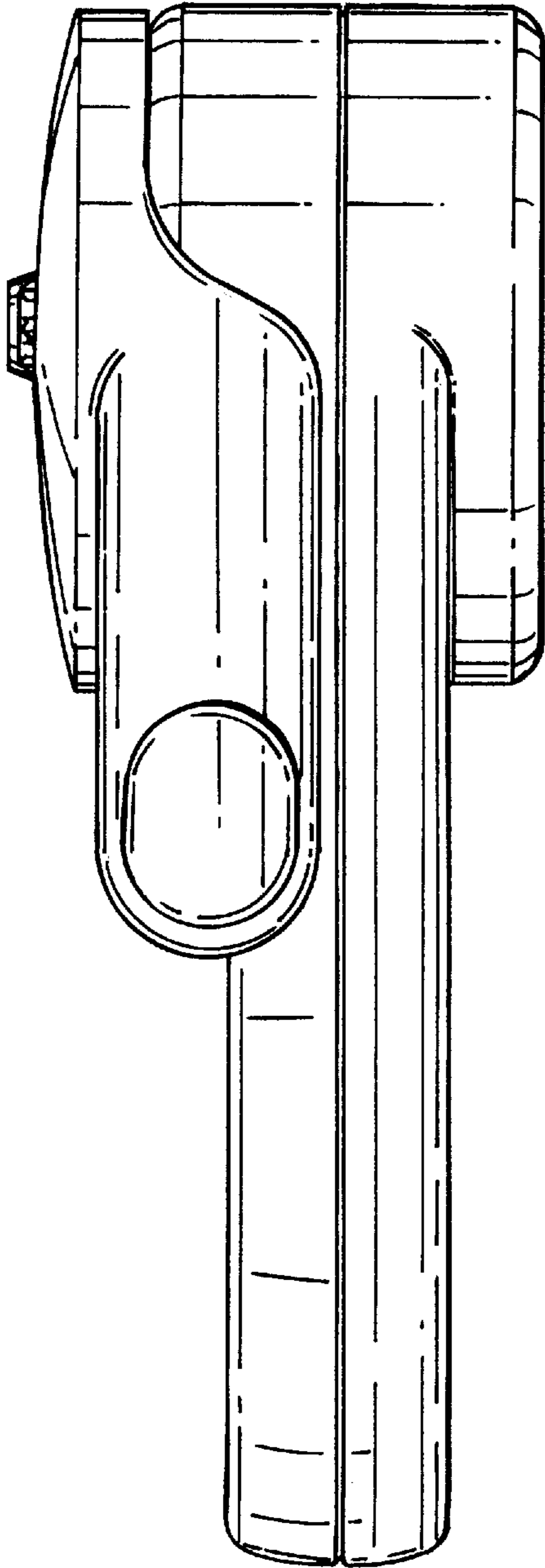
**Fig. 3**



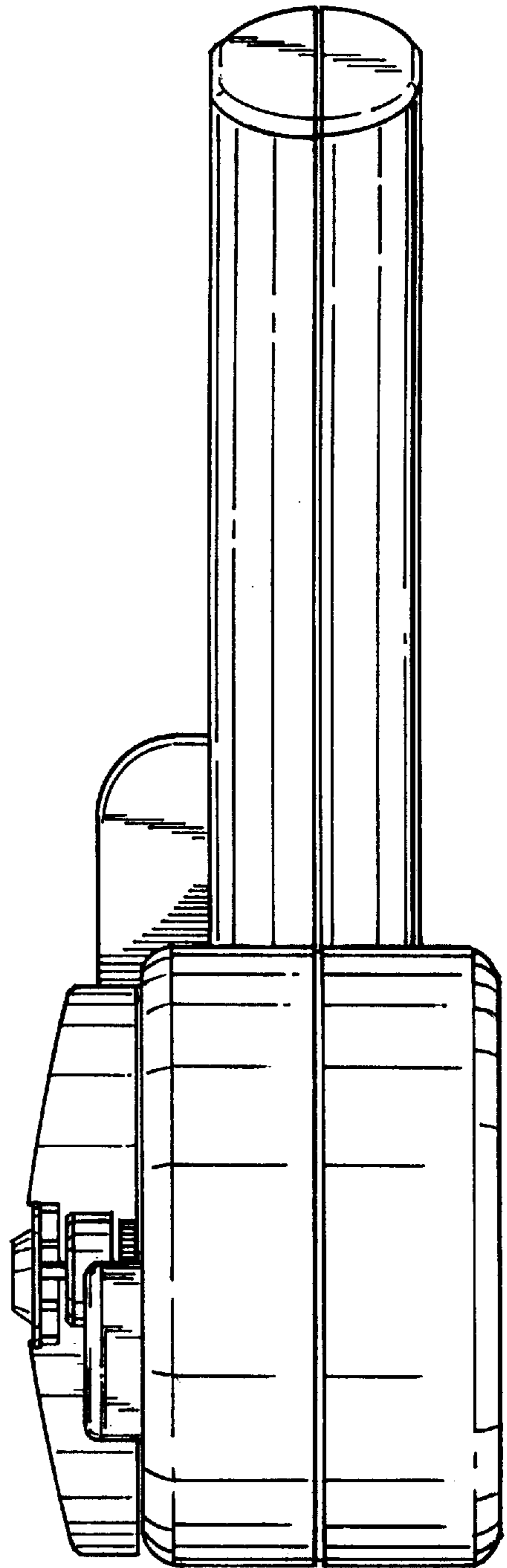
**Fig. 4**



***Fig. 5***



**Fig. 6**



**Fig. 7**