



US00D418028S

United States Patent [19]
Allison

[11] **Patent Number: Des. 418,028**

[45] **Date of Patent: ** Dec. 28, 1999**

[54] **SCOOP**

D. 373,744 9/1996 Wotton D11/121

[76] Inventor: **Ian T. Allison**, P.O. Box 1705, Santa Rosa, Calif. 95402

Primary Examiner—Terry A. Wallace

[**] Term: **14 Years**

[57] **CLAIM**

The ornamental design for a scoop, as shown.

[21] Appl. No.: **29/107,872**

DESCRIPTION

[22] Filed: **Jul. 16, 1999**

FIG. 1 is a front perspective view.

[51] **LOC (6) Cl.** **07-06**

FIG. 2 is a front view.

[52] **U.S. Cl.** **D7/689**

FIG. 3 is a rear view.

[58] **Field of Search** D7/689, 691, 692;
D11/121; 30/142; 294/1.1, 55

FIG. 4 is a left side view.

FIG. 5 is a right side view.

FIG. 6 is a top view; and,

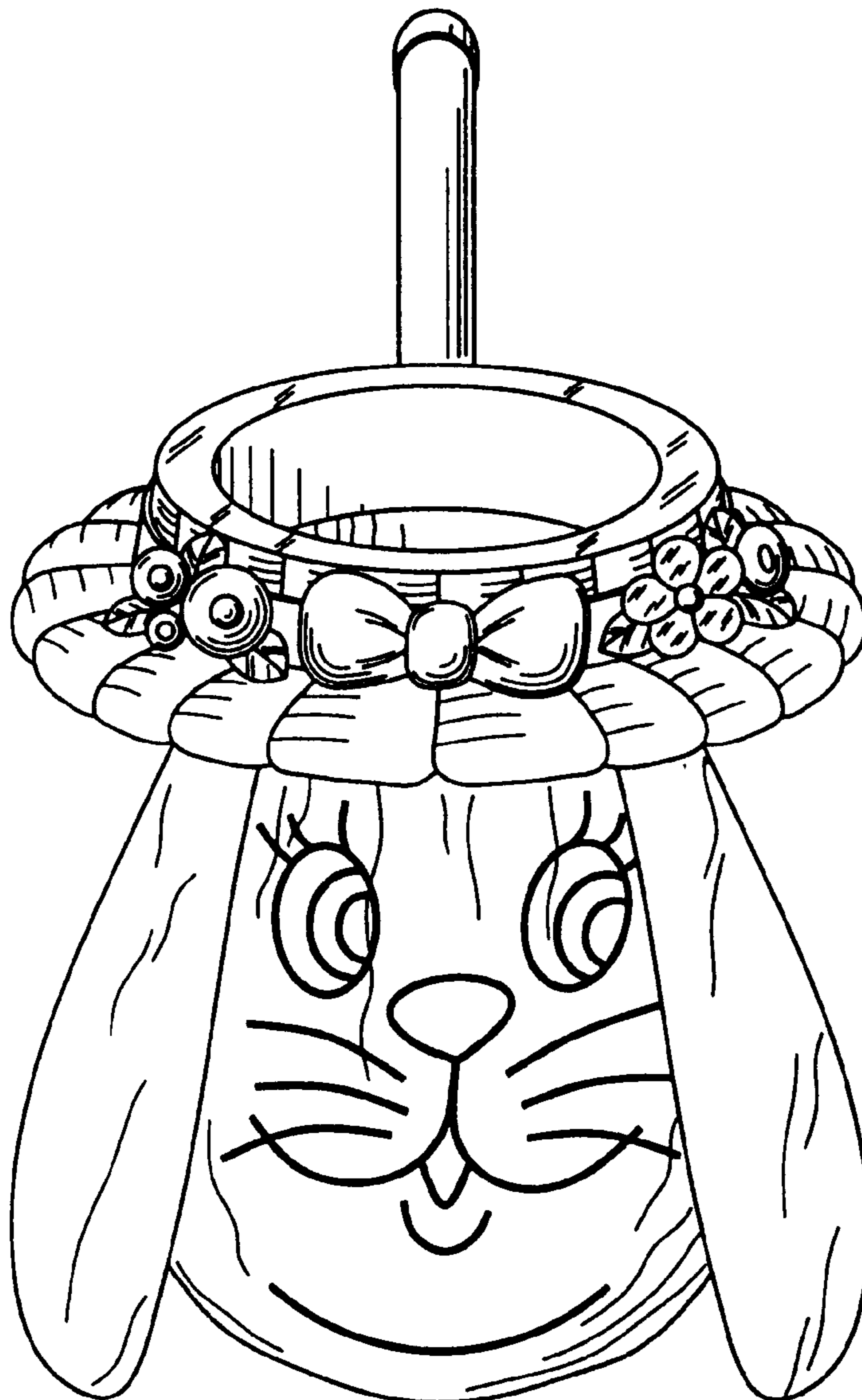
FIG. 7 is a bottom view.

[56] **References Cited**

U.S. PATENT DOCUMENTS

D. 319,374 8/1991 Johannsen D7/689

1 Claim, 3 Drawing Sheets



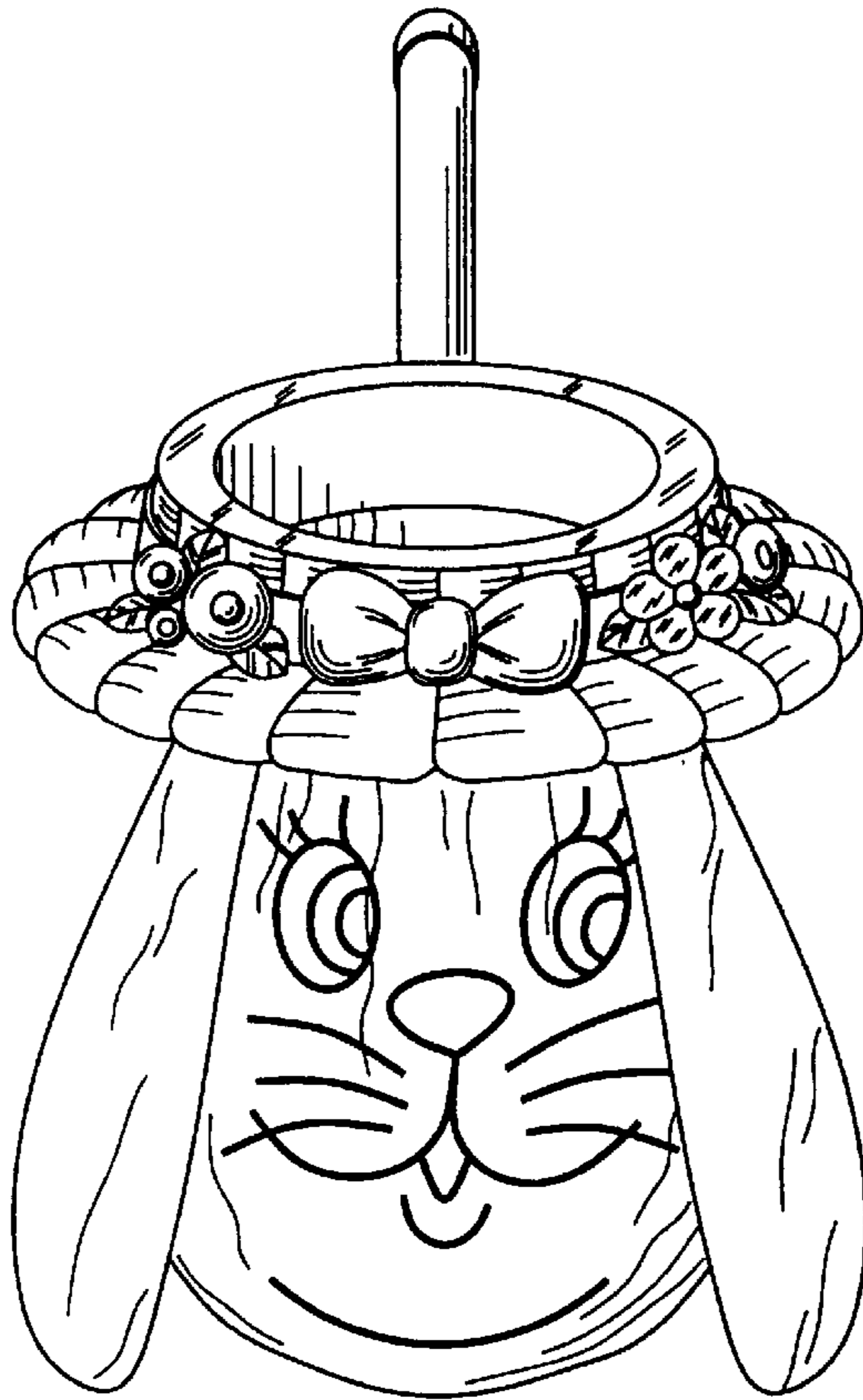


Fig. 1

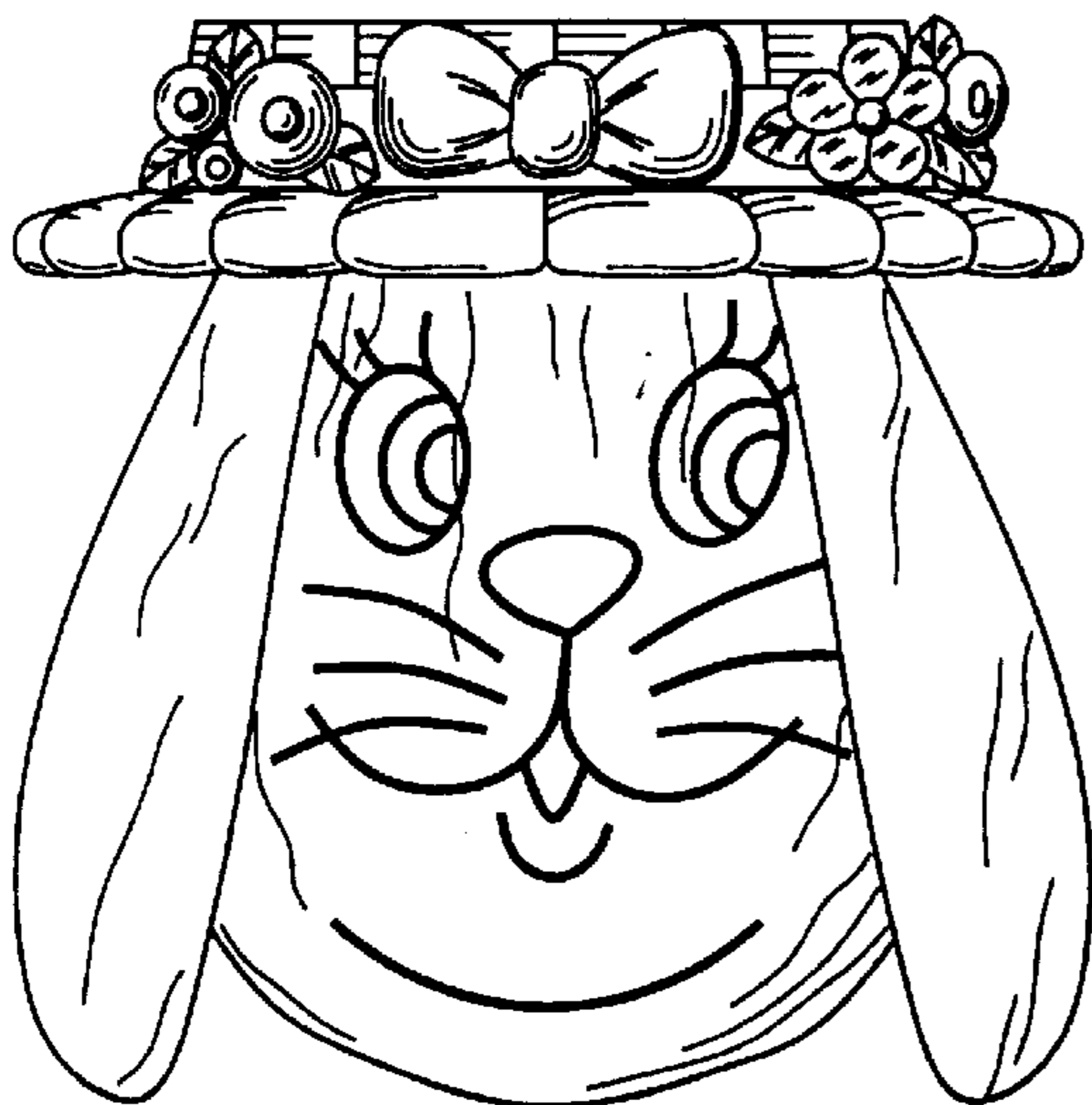


Fig. 2

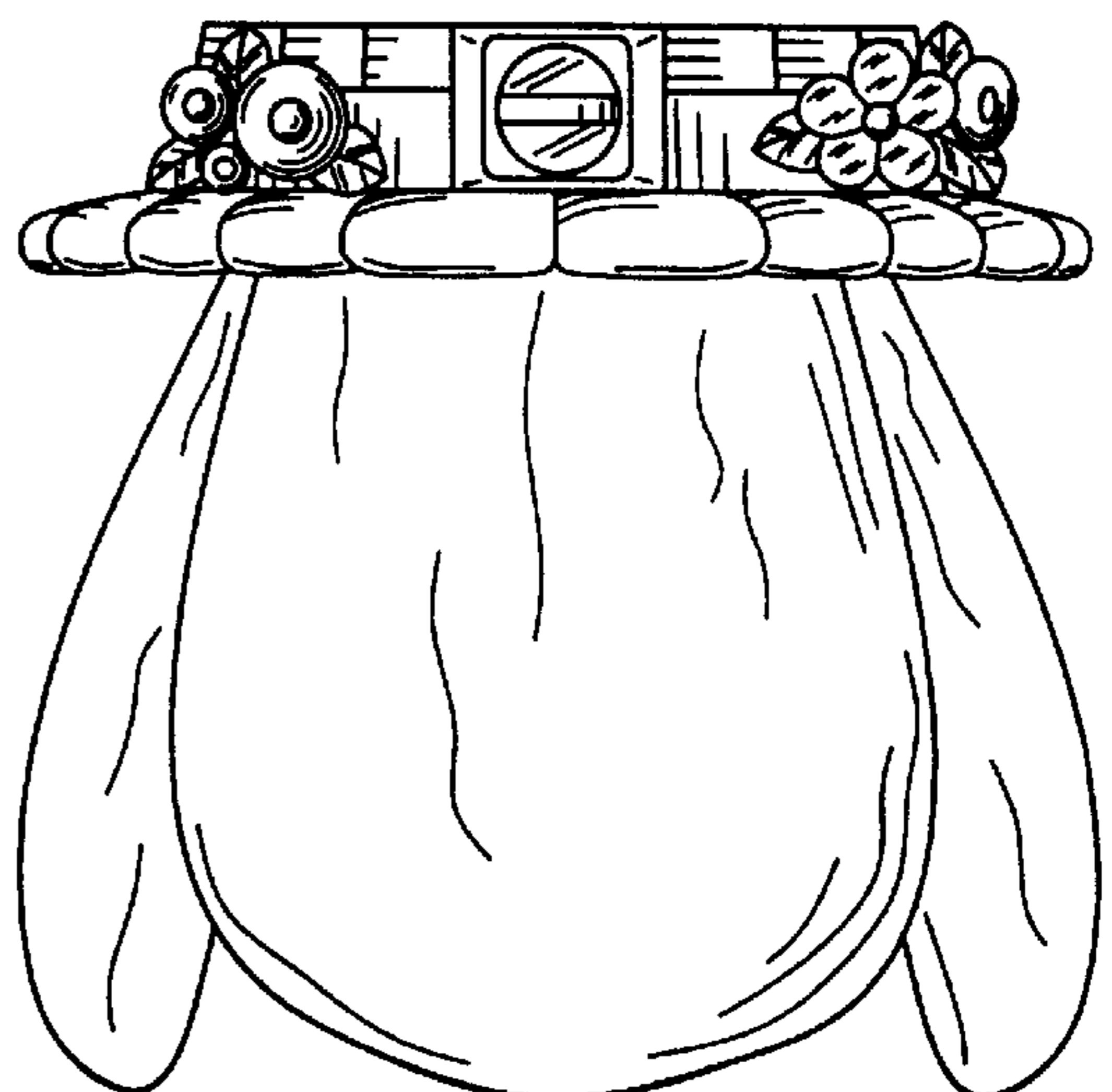


Fig. 3

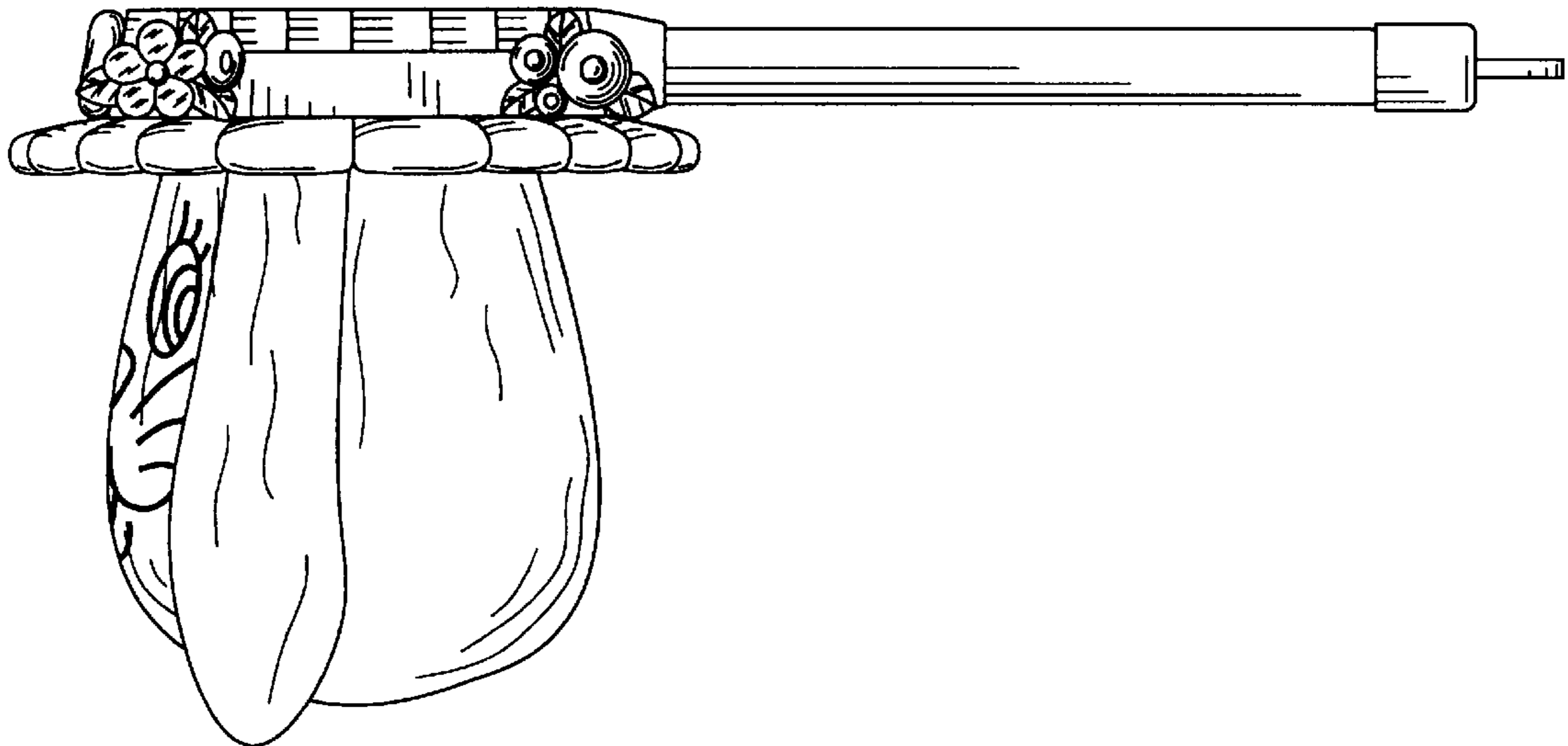


Fig. 4

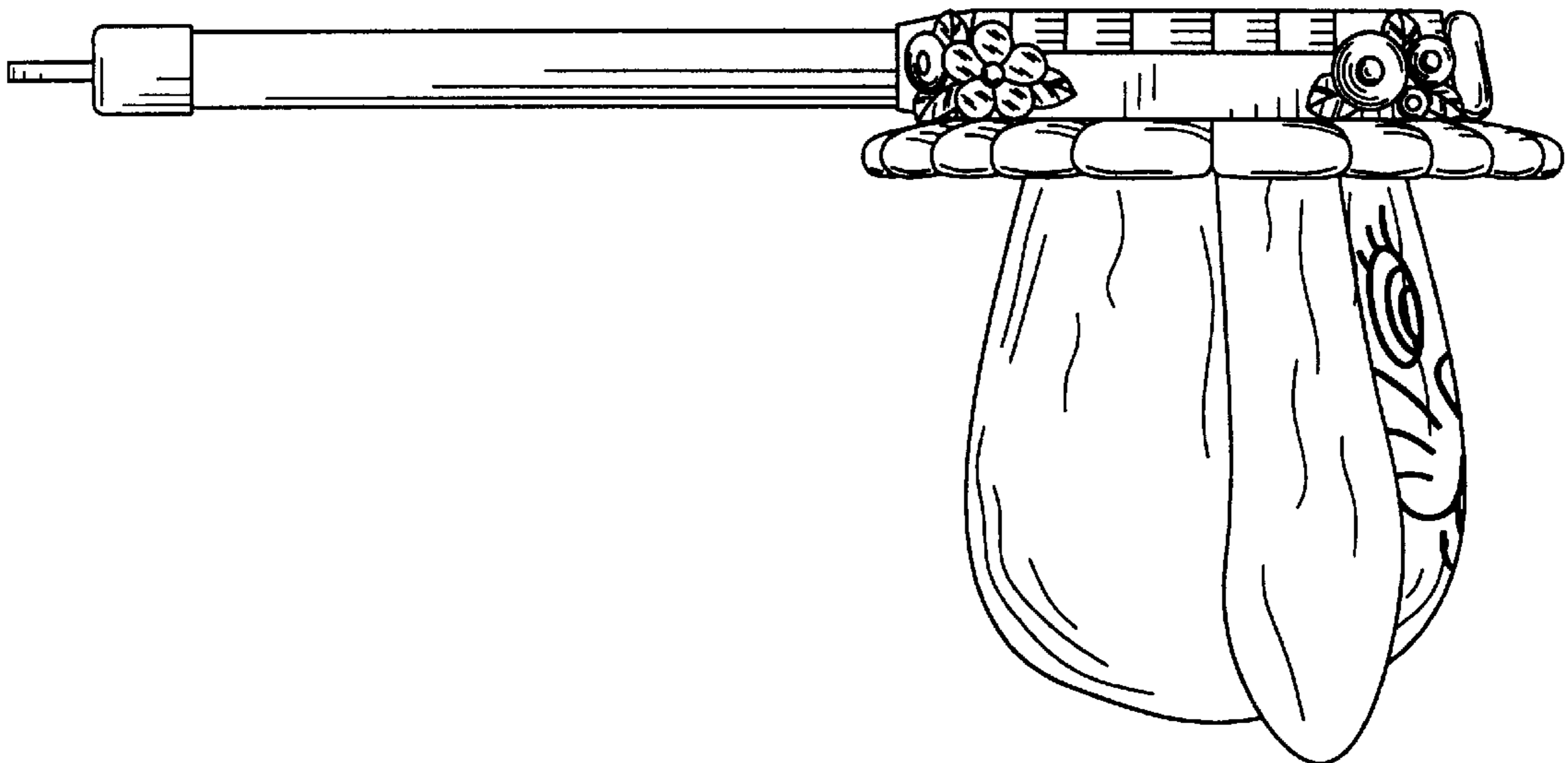


Fig. 5

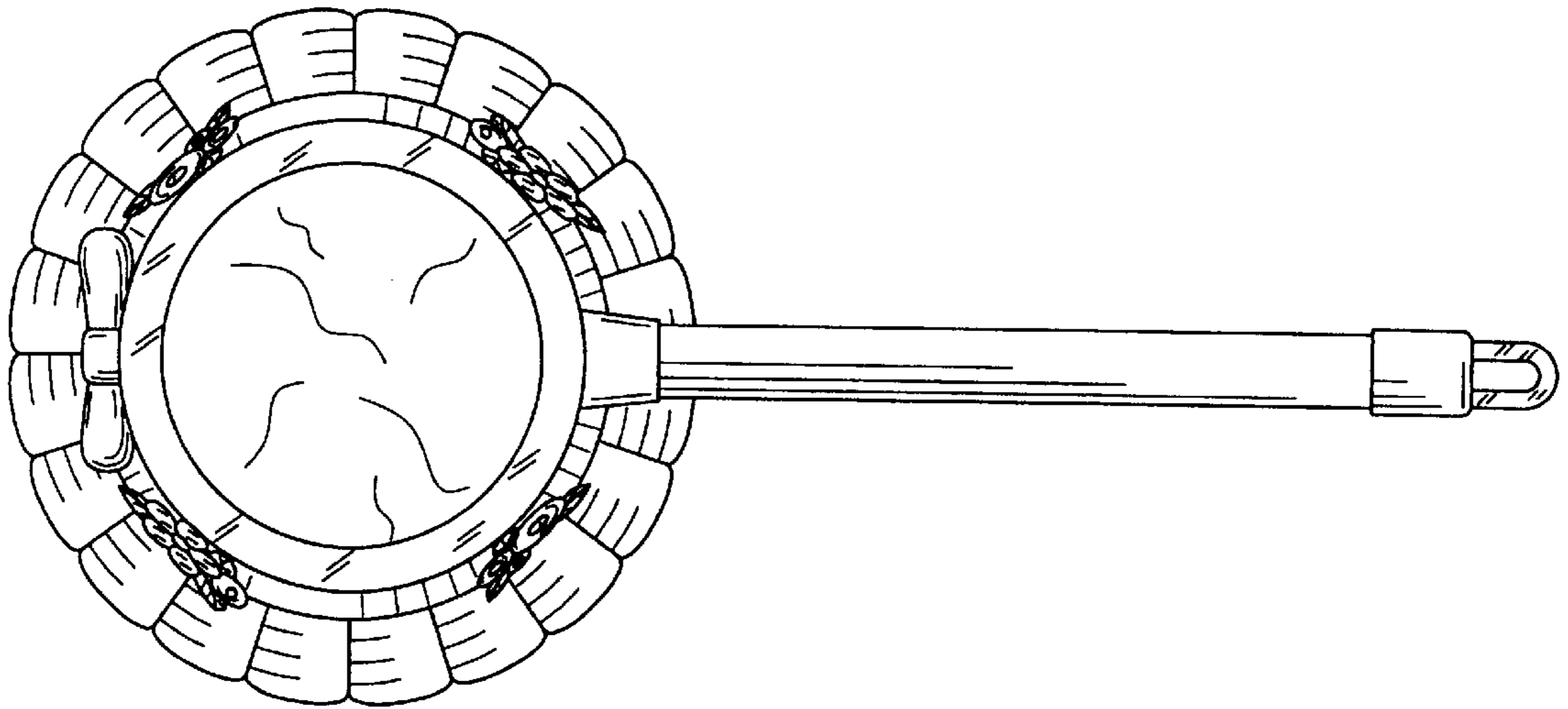


Fig. 6

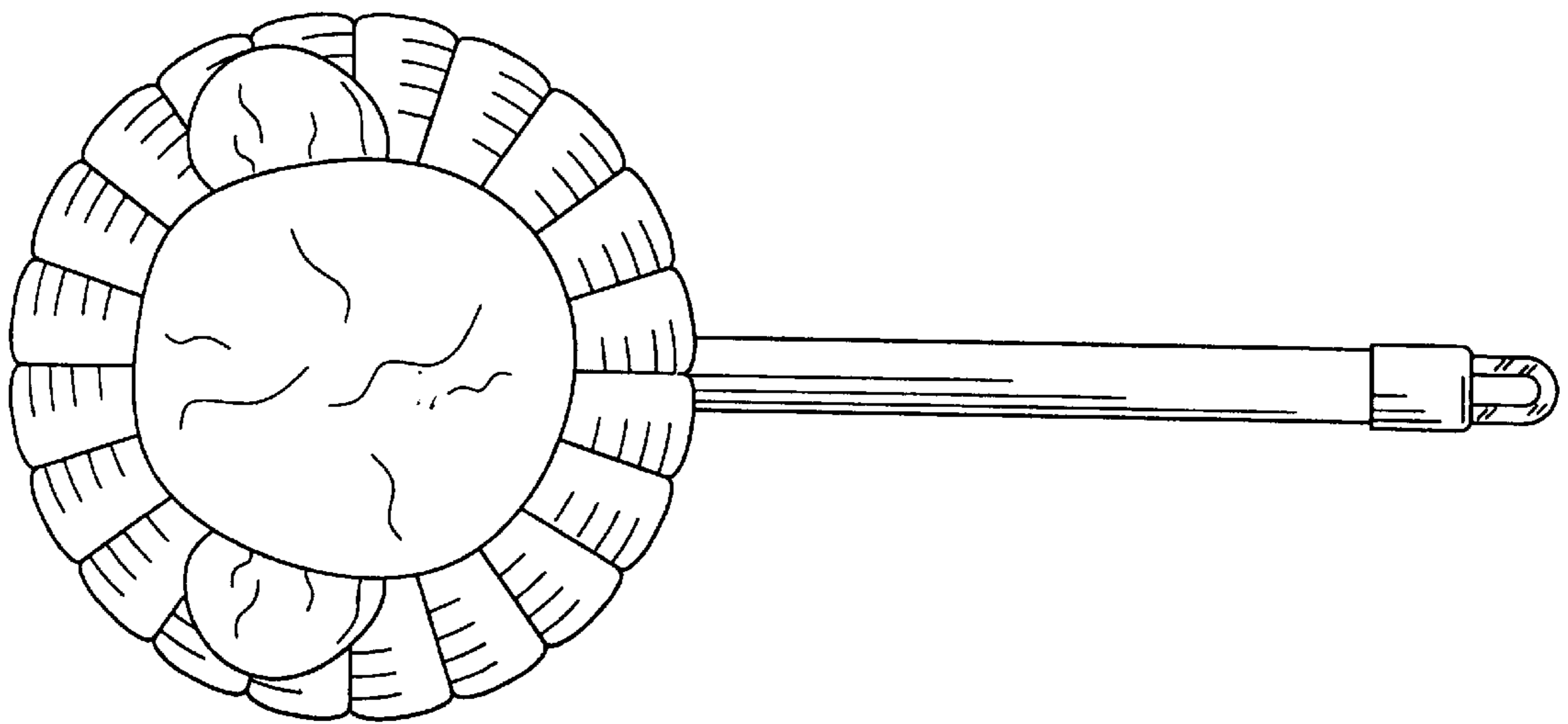


Fig. 7