



US00D418023S

**United States Patent** [19]  
**Robinson**

[11] **Patent Number: Des. 418,023**

[45] **Date of Patent: \*\* Dec. 28, 1999**

[54] **COASTER SET**

[76] Inventor: **Hewitt Robinson**, 1641 E. Broad  
Ripple Ave., Indianapolis, Ind. 46204

[\*\*] Term: **14 Years**

[21] Appl. No.: **29/097,076**

[22] Filed: **Nov. 30, 1998**

[51] **LOC (6) Cl.** ..... **07-06**

[52] **U.S. Cl.** ..... **D7/624**

[58] **Field of Search** ..... D7/624, 625; D6/446,  
D6/450; 215/386, 393-395; 248/310, 311.2,  
346.11

[56] **References Cited**

**U.S. PATENT DOCUMENTS**

- D. 403,208 12/1998 Tisdale ..... D7/624
- D. 408,228 4/1999 Tisdale ..... D7/624

*Primary Examiner*—Terry A. Wallace  
*Attorney, Agent, or Firm*—Woodard, Emhardt, Naughton  
Moriarty & McNett

[57] **CLAIM**

The ornamental design for a coaster set, as shown and described.

**DESCRIPTION**

FIG. 1 is a front elevation of the coaster set of the present invention.

FIG. 2 is a side elevation taken from the right side of FIG. 1.

FIG. 3 is a top plan view.

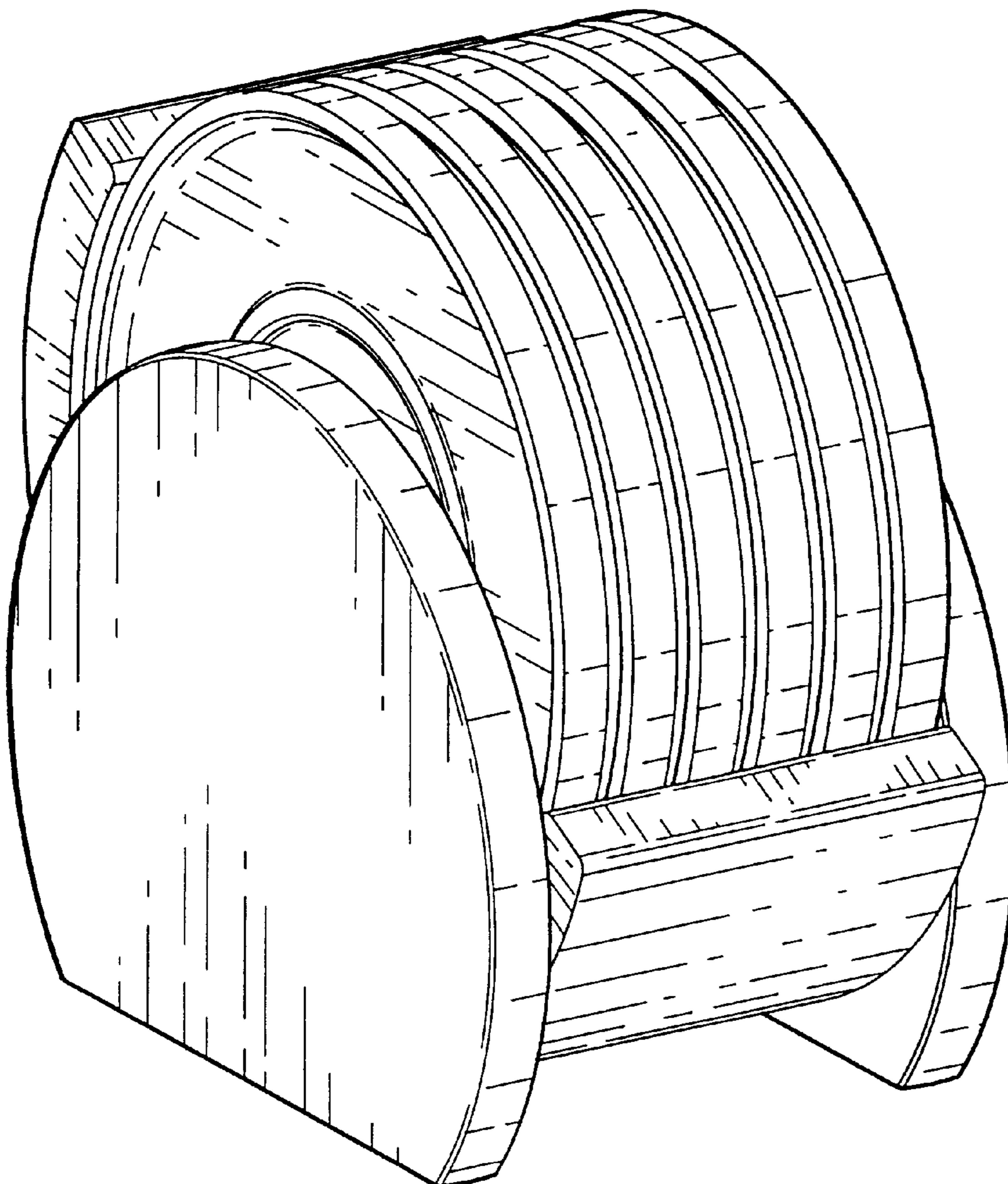
FIG. 4 is a bottom plan view.

FIG. 5 is a rear elevation.

FIG. 6 is a side elevation taken from the left side of FIG. 1; and,

FIG. 7 is a perspective view of the coaster set.

**1 Claim, 4 Drawing Sheets**



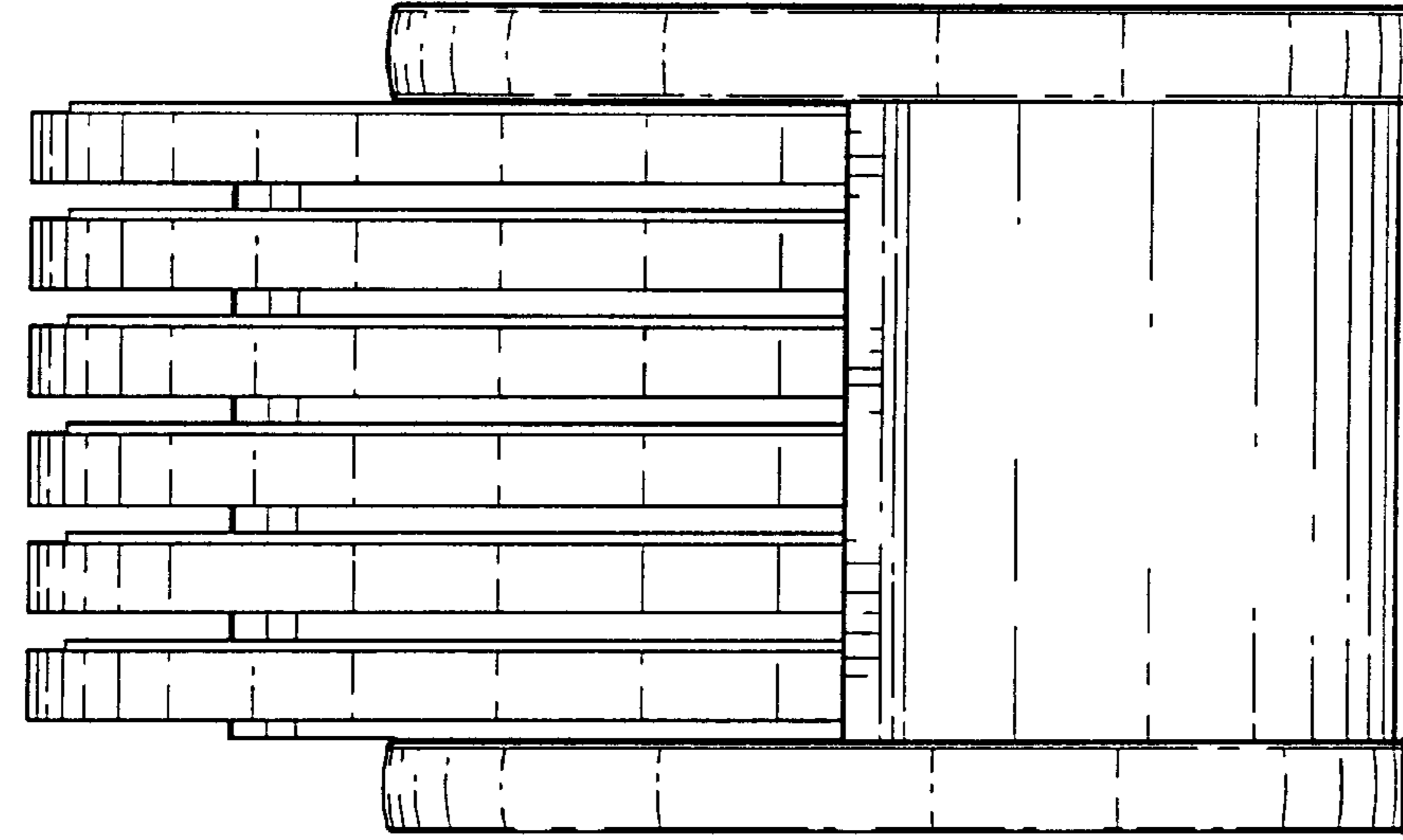


Fig. 2

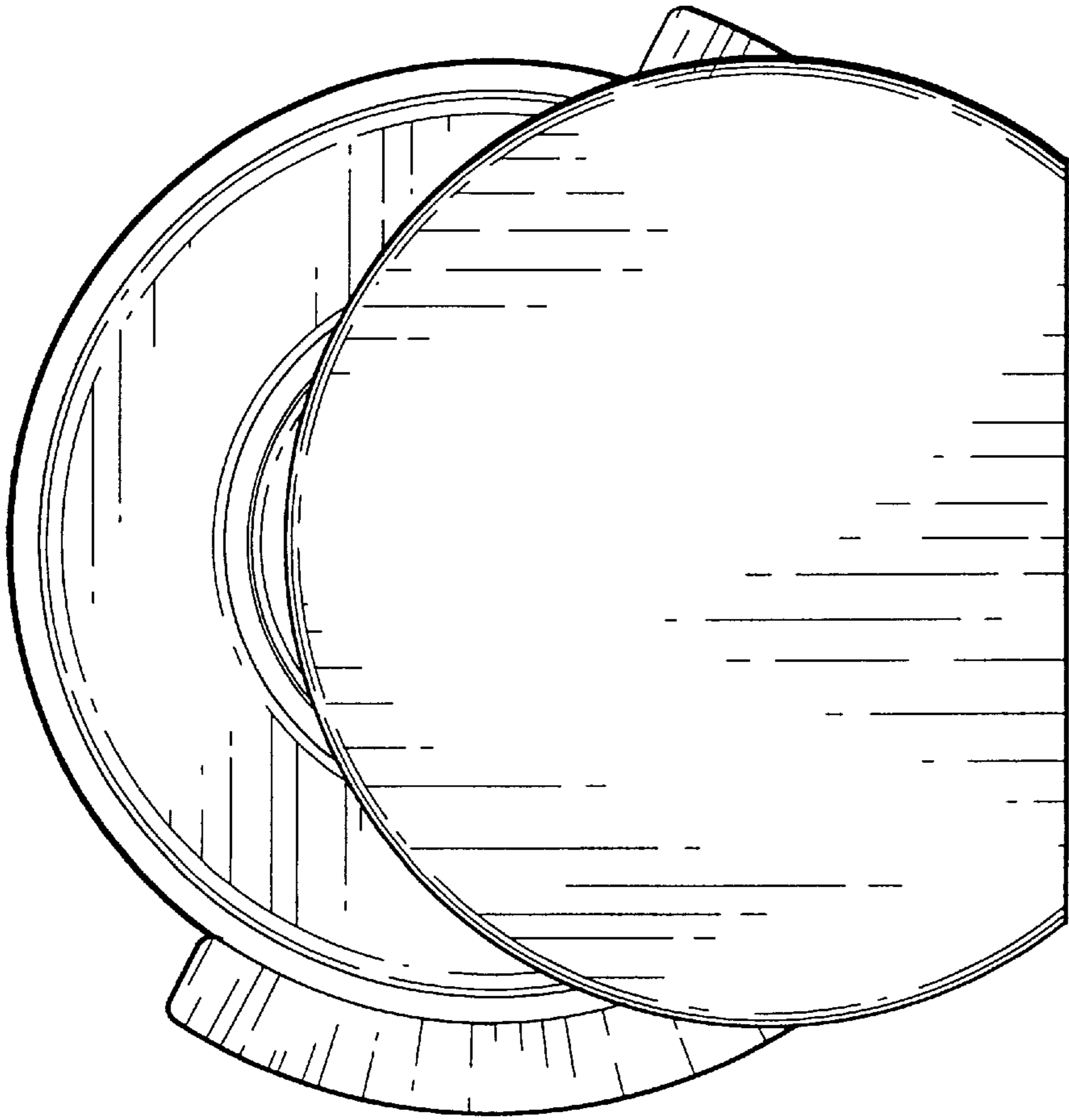
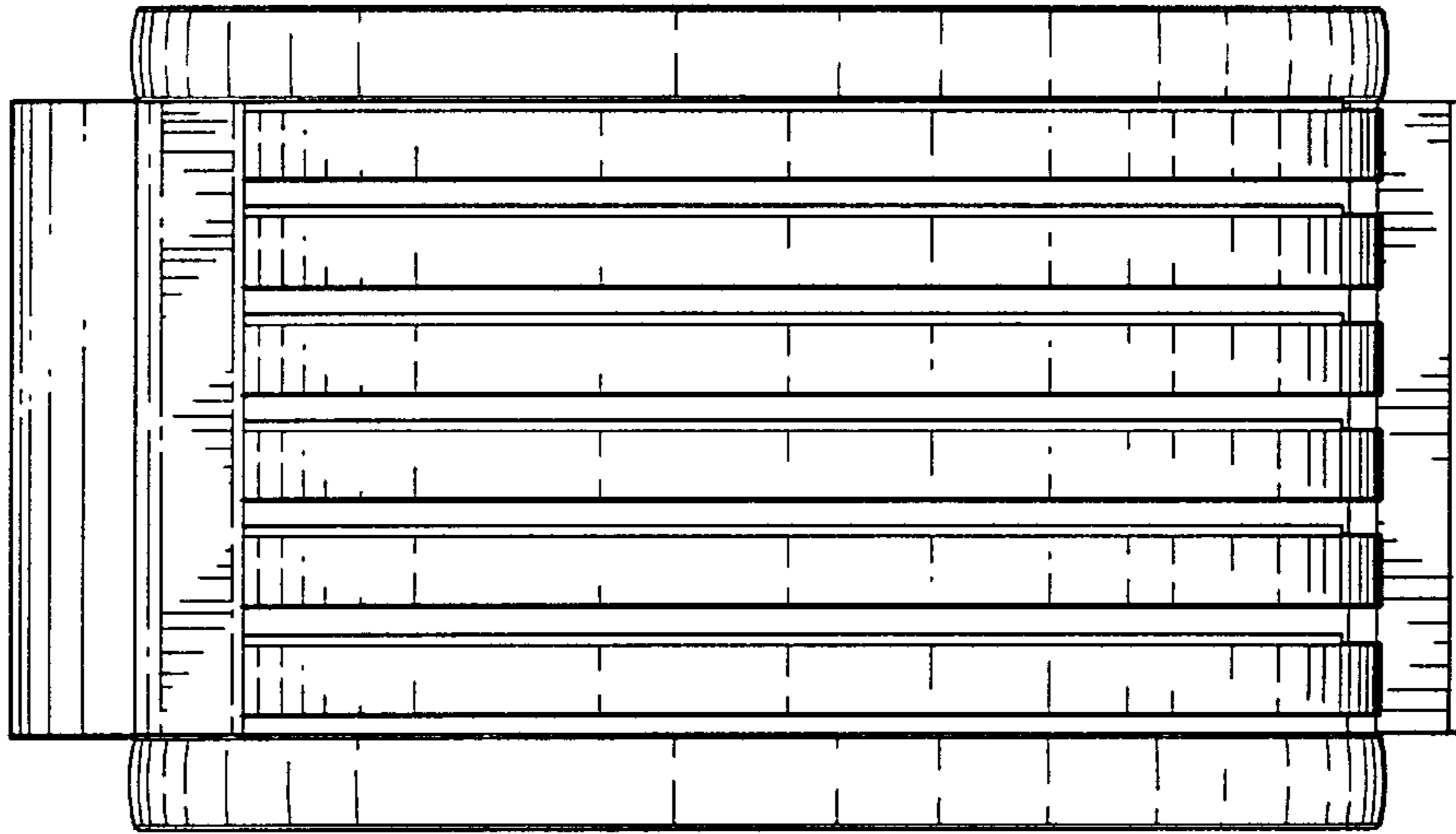
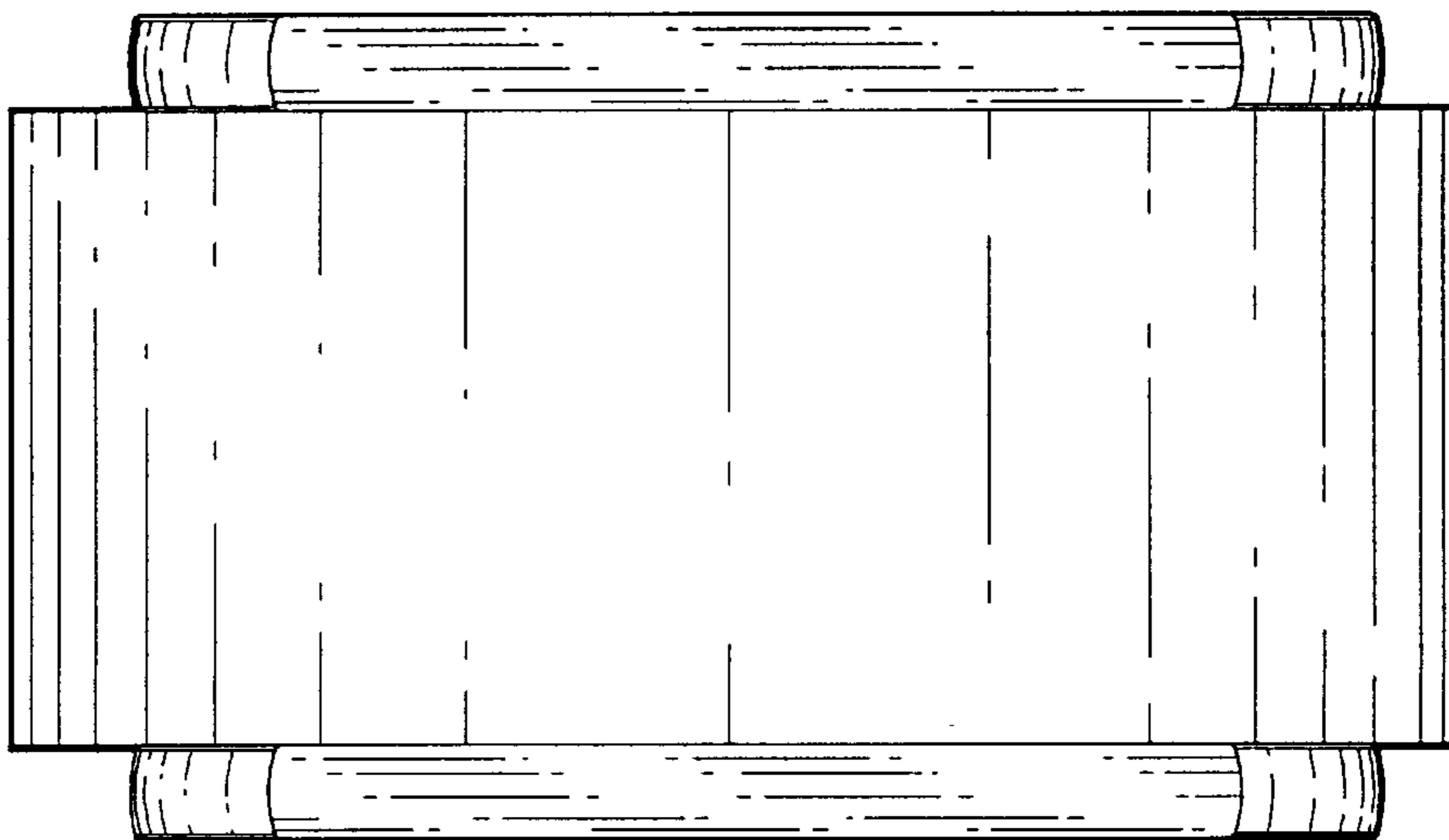


Fig. 1



**Fig. 3**



**Fig. 4**

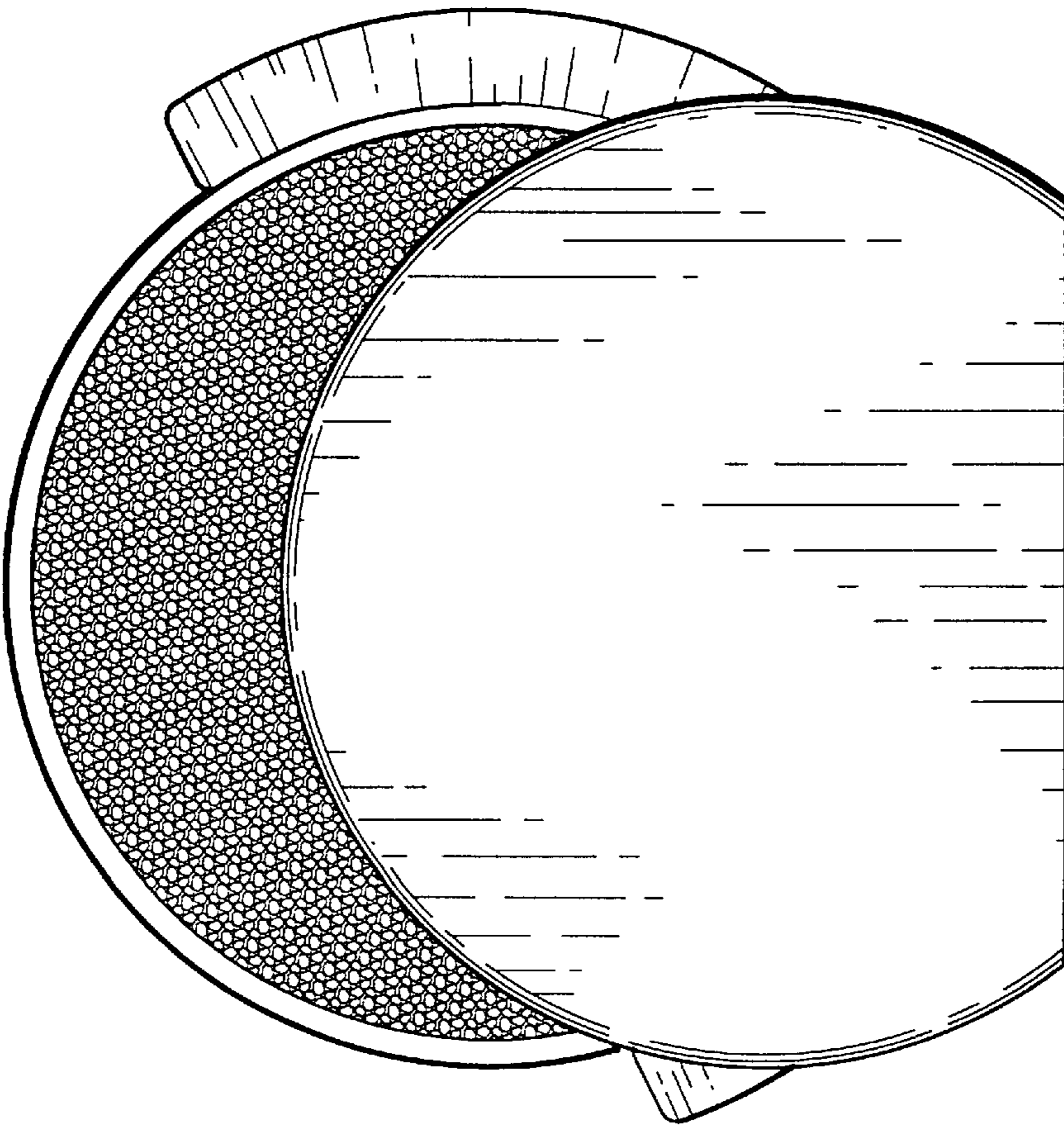


Fig. 5

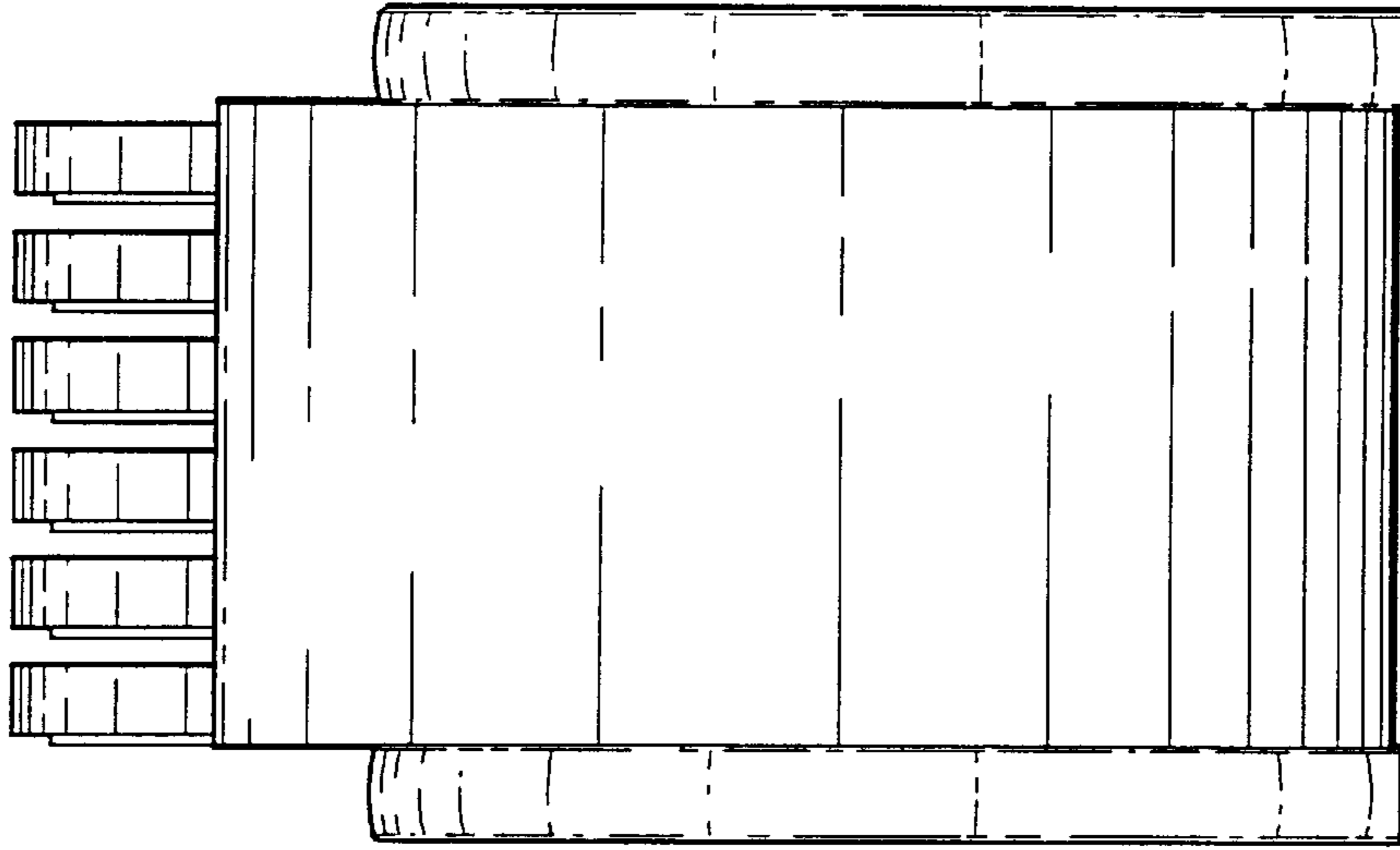
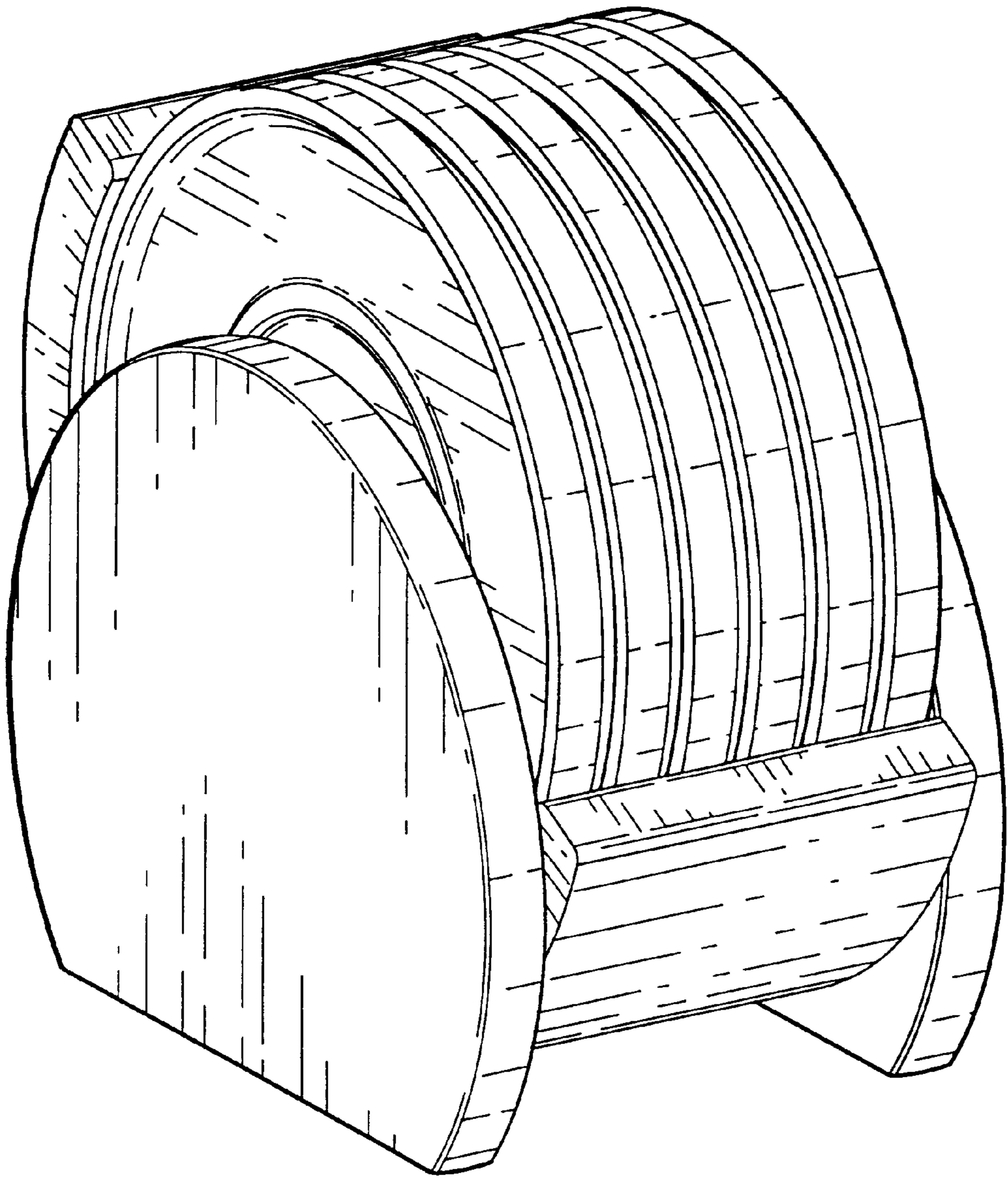


Fig. 6



**Fig. 7**