



US00D418020S

United States Patent [19] Tardif

[11] **Patent Number: Des. 418,020**

[45] **Date of Patent: ** Dec. 28, 1999**

[54] **RECEPTACLE**

[75] Inventor: **Pierre Tardif**, Longueuil, Canada

[73] Assignee: **Les Promotions Atlantiques Inc.**,
Longueuil, Canada

[**] Term: **14 Years**

[21] Appl. No.: **29/093,181**

[22] Filed: **Sep. 4, 1998**

[51] **LOC (6) Cl. 07-06**

[52] **U.S. Cl. D7/602; D7/667**

[58] **Field of Search** D7/601, 543, 545,
D7/546, 667; D24/121, 123; 220/574, 574.1,
659, 657; 210/464, 465, 470-473, 498,
499; 99/403, 426

[56] **References Cited**

U.S. PATENT DOCUMENTS

- D. 298,903 12/1988 Watson et al. D7/545
- D. 339,720 9/1993 Kolada D7/667

- D. 346,725 5/1994 Kolada D7/667
- D. 347,058 5/1994 Valentine D24/123
- 5,626,256 5/1997 Onneweer 220/574

Primary Examiner—Terry A. Wallace
Attorney, Agent, or Firm—Darby & Darby

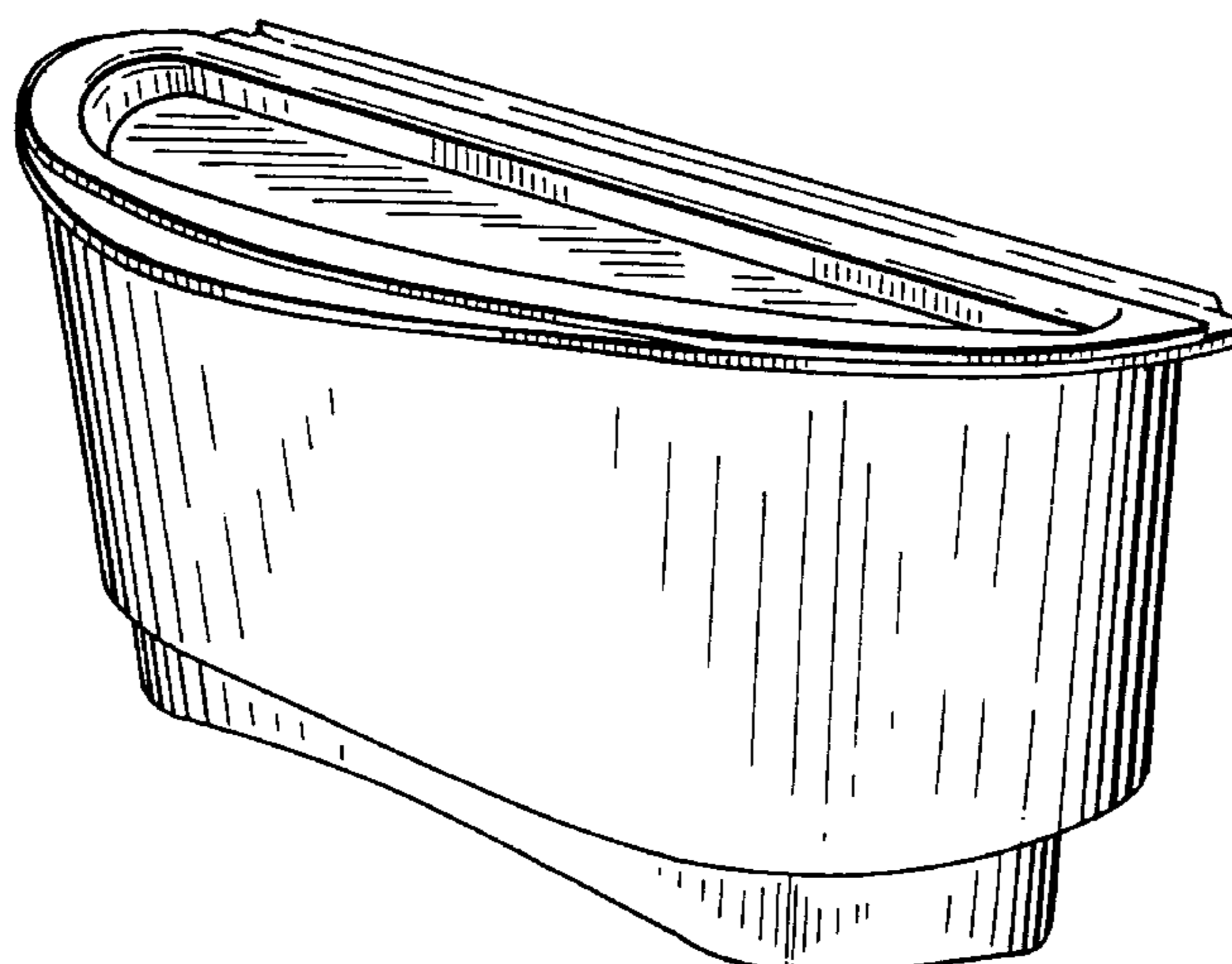
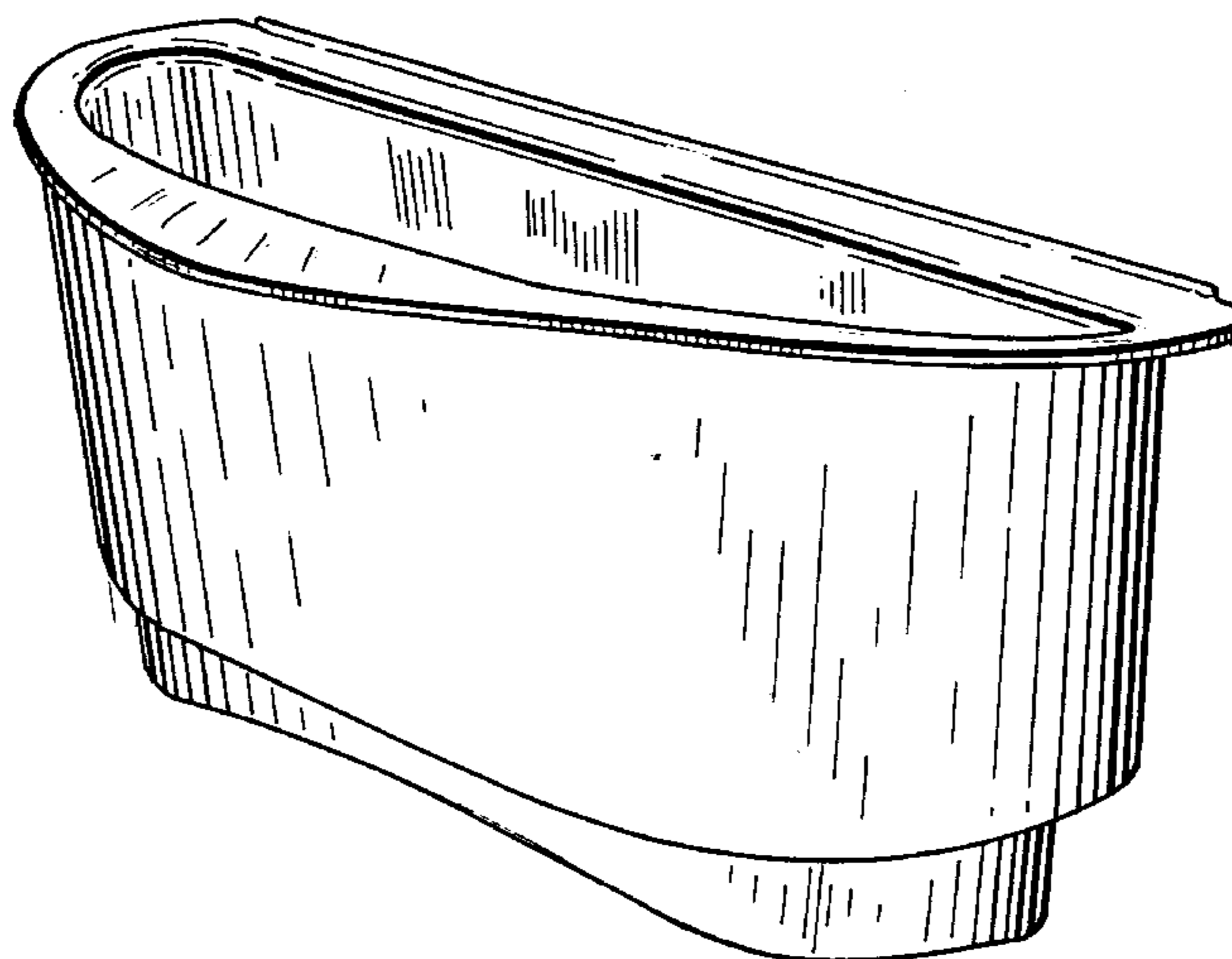
[57] **CLAIM**

The ornamental design for a receptacle, as shown and described.

DESCRIPTION

FIG. 1 is a top, front and right side perspective view of a preferred embodiment of the receptacle;
FIG. 2 is a right side elevational view thereof, a left side elevational view being a mirror image thereof;
FIG. 3 is a front elevational view thereof;
FIG. 4 is a rear elevational view thereof;
FIG. 5 is a top plan view thereof;
FIG. 6 is a bottom plan view thereof; and,
FIG. 7 is a top, right, and front perspective view of the receptacle with a lid in place.

1 Claim, 4 Drawing Sheets



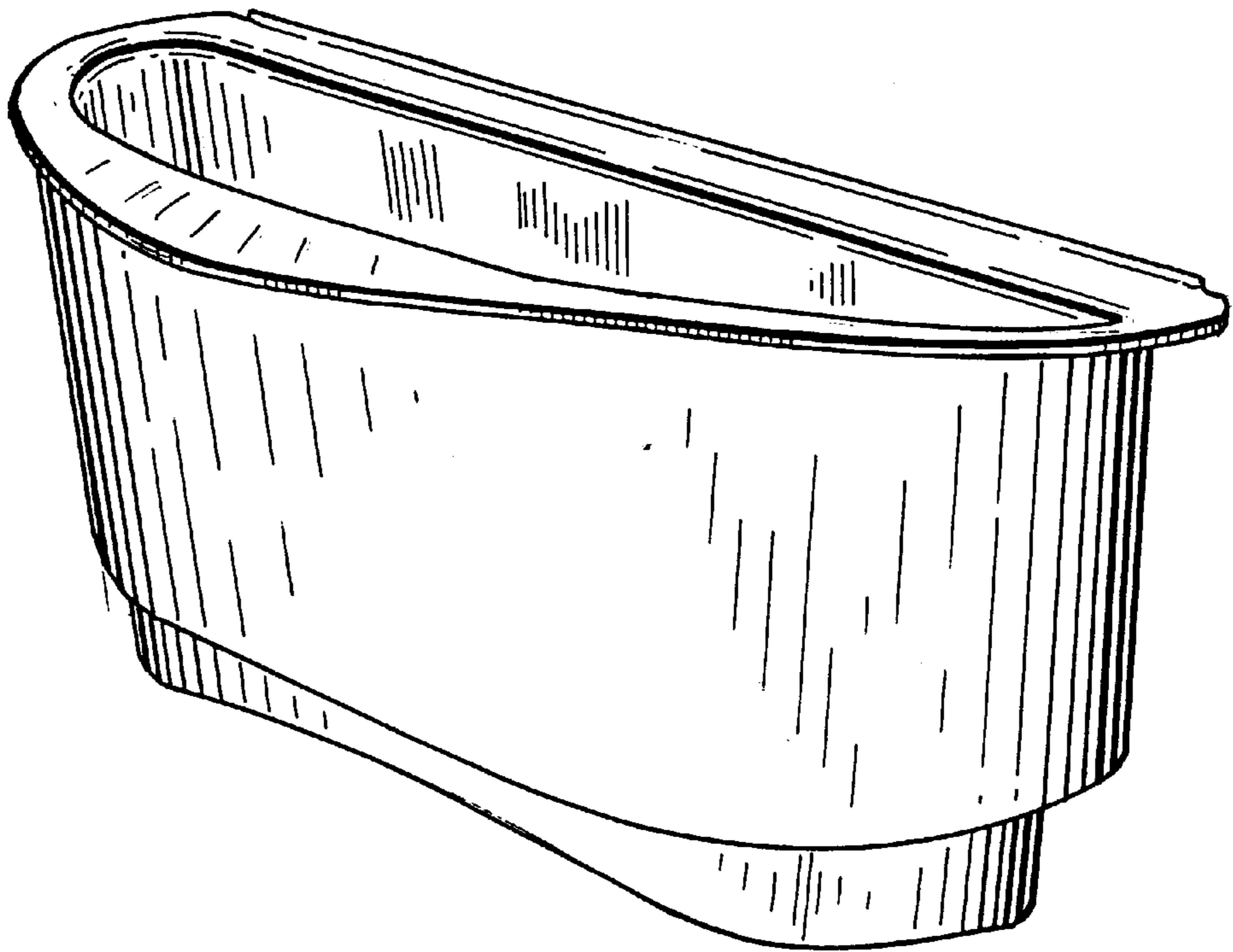


FIG. 1

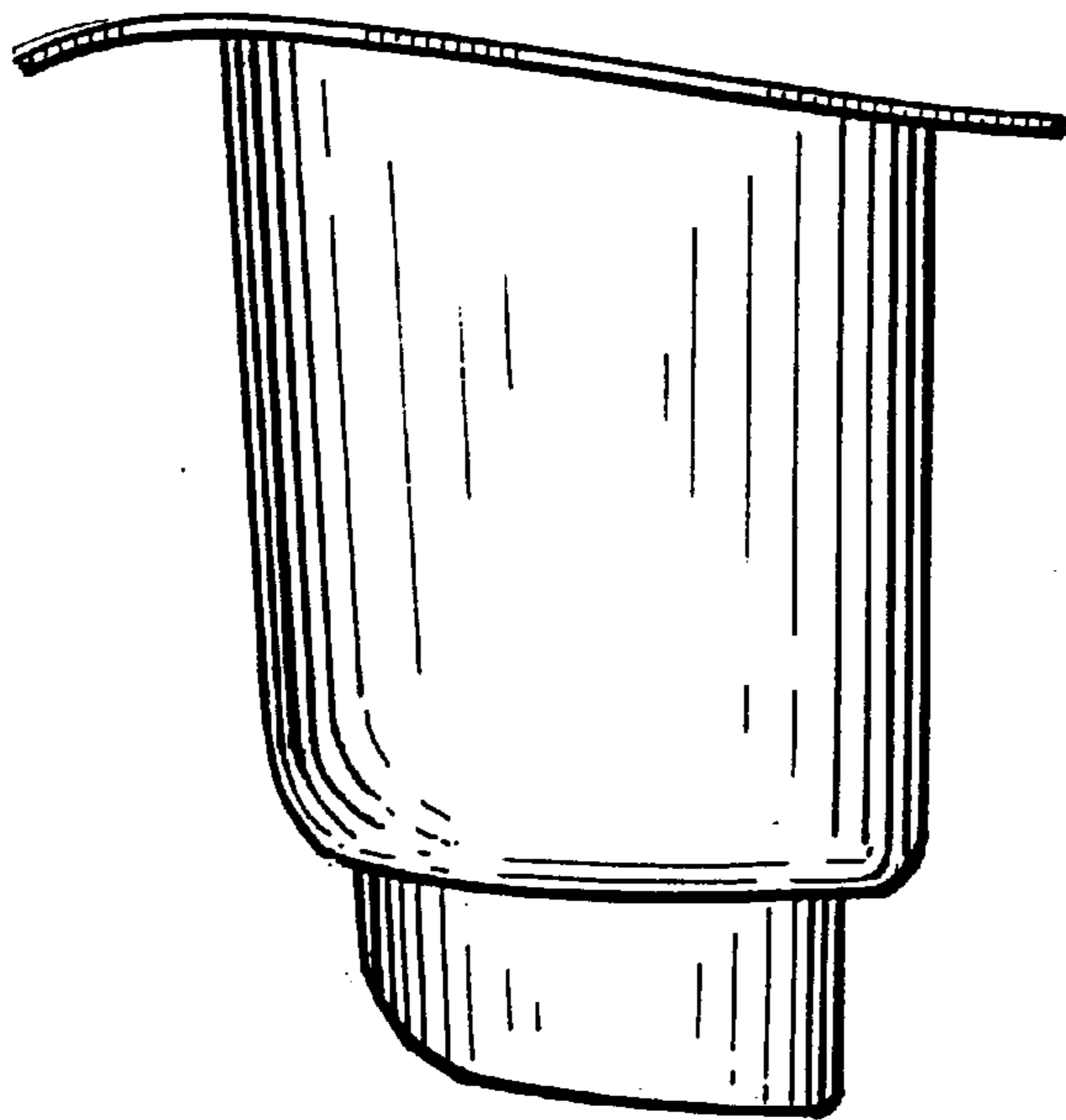


FIG. 2

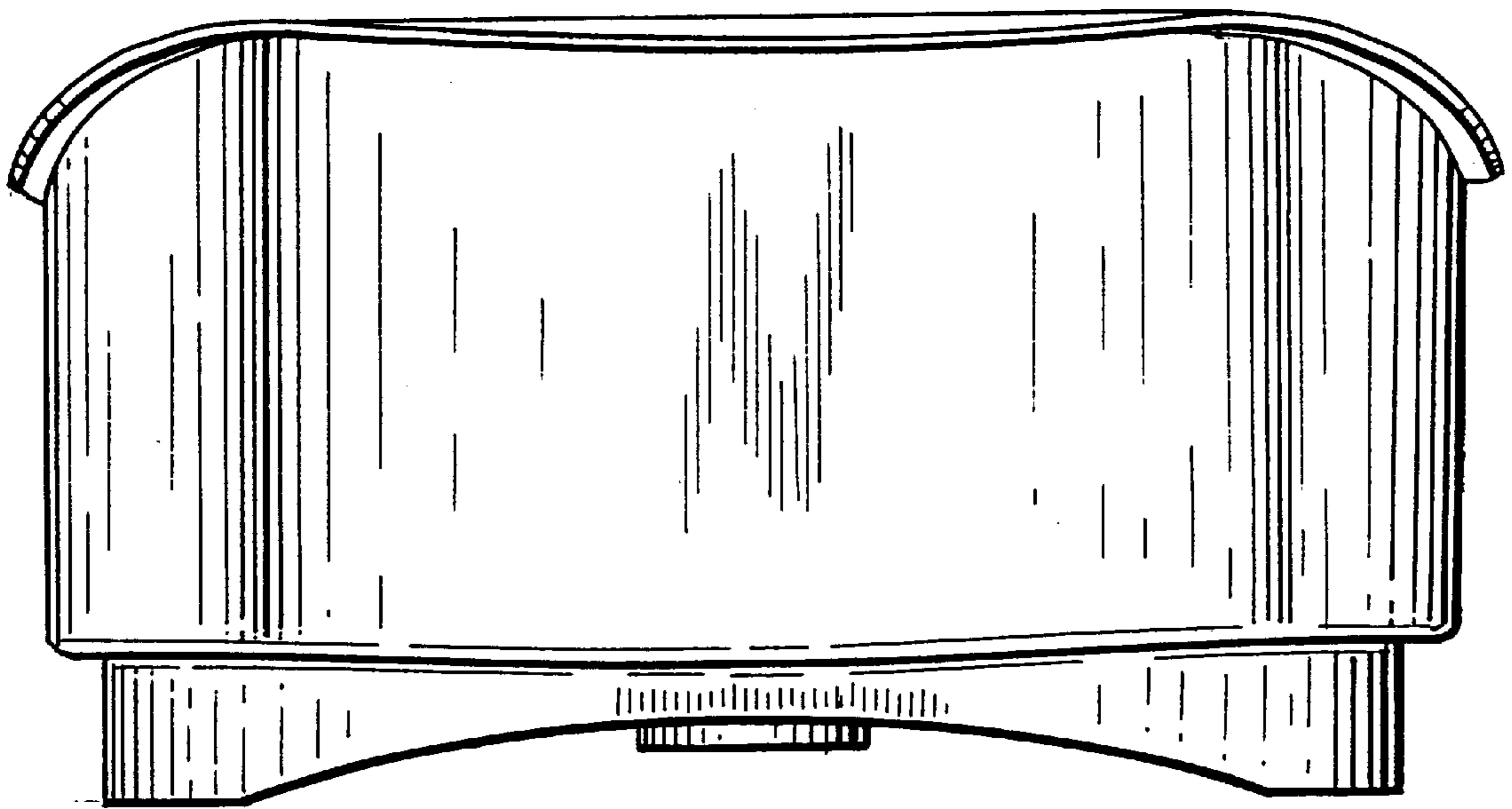


FIG. 3

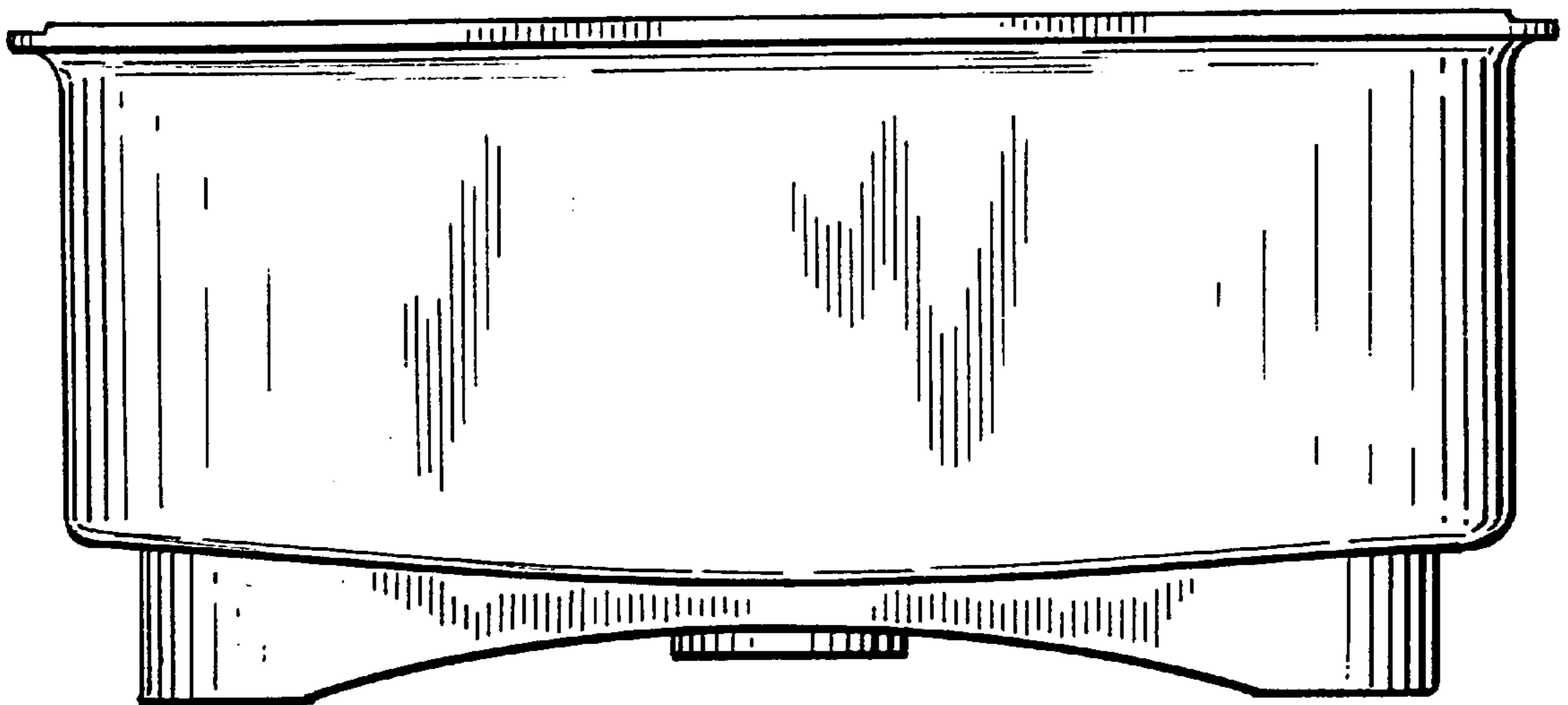


FIG. 4

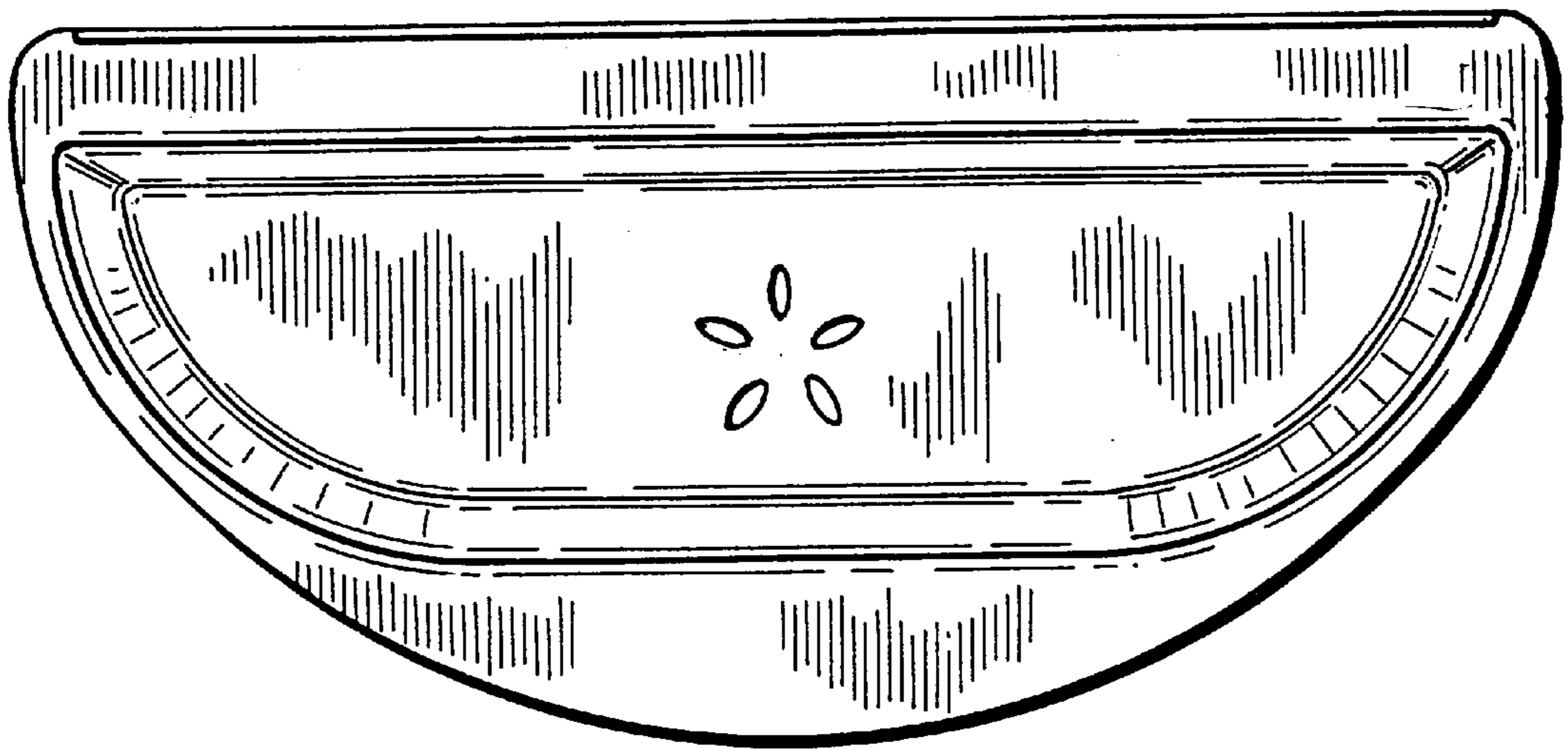


FIG. 5

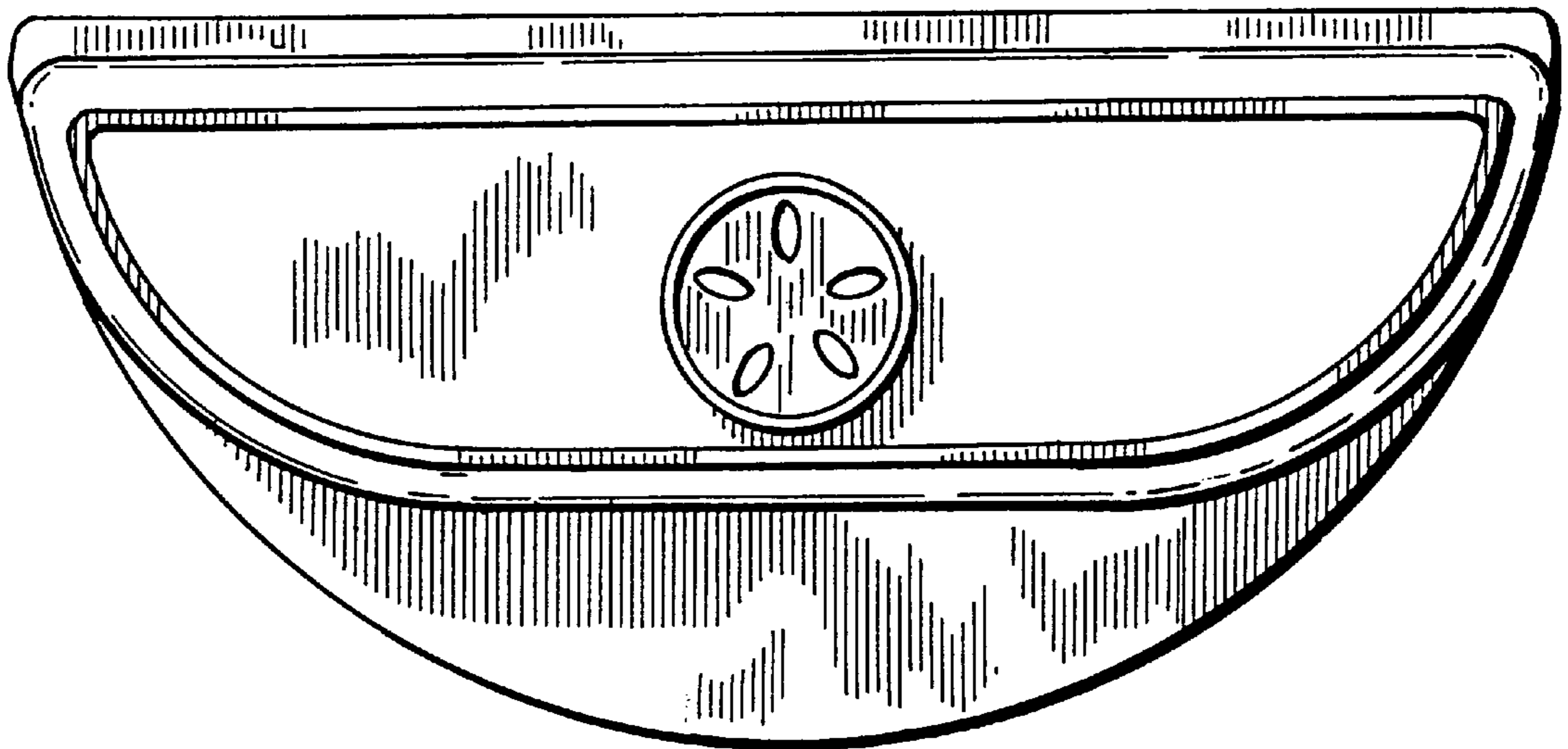


FIG. 6

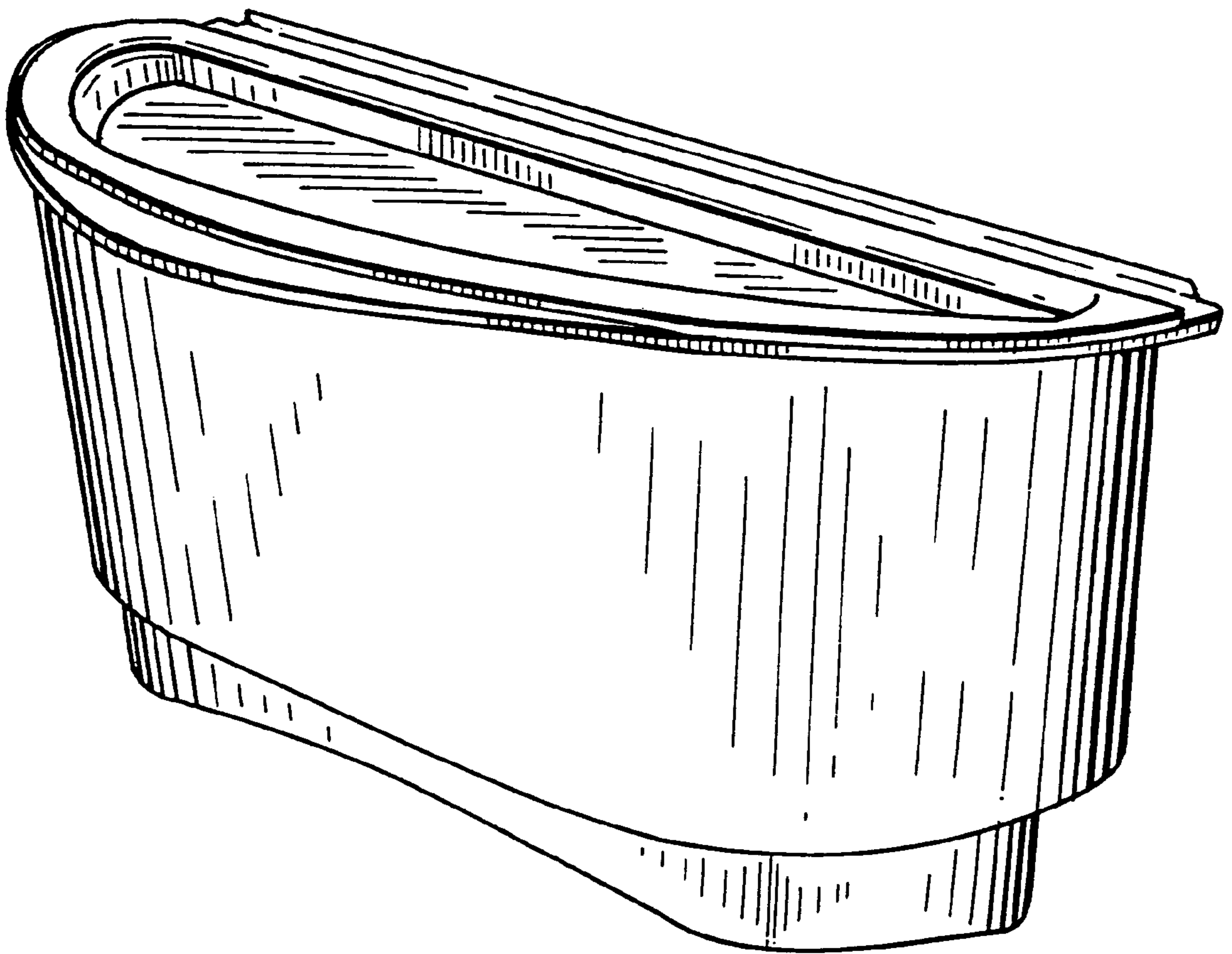


FIG. 7