



US00D418018S

United States Patent [19]
Winsted

[11] **Patent Number: Des. 418,018**
[45] **Date of Patent: ** Dec. 28, 1999**

[54] **COCKTAIL PLATE**
[76] Inventor: **Drexel L. Winsted**, 8938 Monsanto Dr., Cincinnati, Ohio 45231
[**] Term: **14 Years**
[21] Appl. No.: **29/097,538**
[22] Filed: **Dec. 9, 1998**
[51] **LOC (6) Cl. 07-01**
[52] **U.S. Cl. D7/553.8; D7/553.7; D7/555; D7/551.1**
[58] **Field of Search D7/555, 507, 553.2, D7/553.3, 553.4, 553.5, 549, 553.6, 553.7, 553.8, 551.1, 544, 556, 619; 220/729, 23.86, 575, 574**

2,561,022 7/1951 Jones .
2,719,413 10/1955 Panzer D7/507 X
4,534,474 8/1985 Ng 220/23.86
4,867,331 9/1989 Task .
5,154,303 10/1992 Jordan 220/23.86
5,207,743 5/1993 Costarella et al. .
5,249,700 10/1993 Dumke 220/574
5,353,952 10/1994 Donche .
5,361,932 11/1994 Friedrich .
5,441,164 8/1995 Beck et al. .
5,593,062 1/1997 Martin .
5,732,847 3/1998 Caldi 220/23.83

Primary Examiner—M. N. Pandozzi
Attorney, Agent, or Firm—Wood, Herron & Evans, LLP

[57] **CLAIM**

The ornamental design for a cocktail plate, as shown and described.

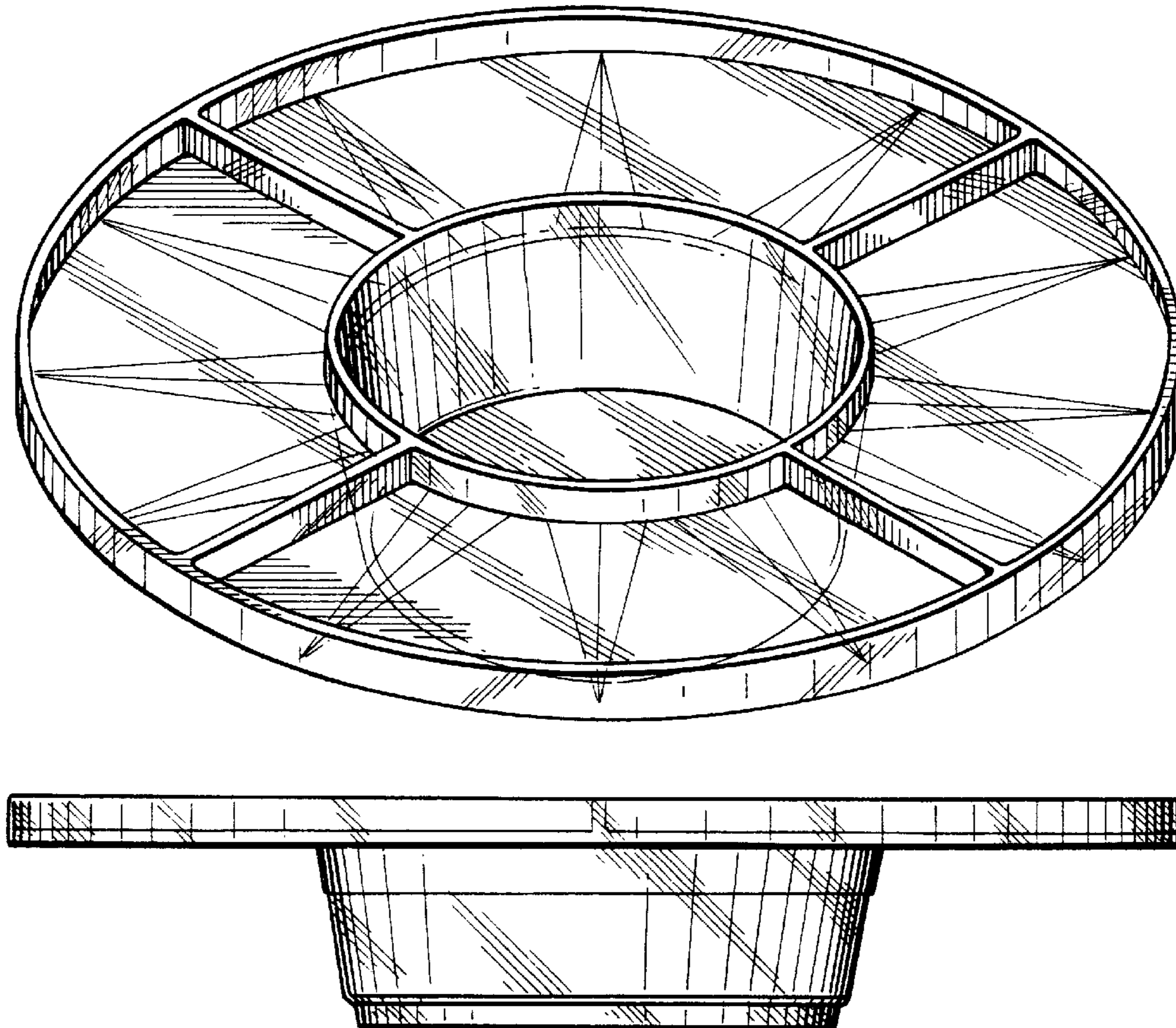
[56] **References Cited**
U.S. PATENT DOCUMENTS

D. 144,296 4/1946 King D7/551.1
D. 211,532 6/1968 Ashton .
D. 272,506 2/1984 Sreiner D7/507 X
D. 297,799 9/1988 Hammer D7/507
D. 303,194 9/1989 Darby et al. D7/507
D. 342,645 12/1993 Latuch D7/551.1
D. 363,644 10/1995 Wyatt et al. .
D. 366,395 1/1996 Wyatt et al. D7/555
D. 368,409 4/1996 Schwartz D7/555 X
2,240,020 4/1941 Raiser 220/574 X

DESCRIPTION

FIG. 1 is a perspective view of a second embodiment of the cocktail plate of FIG. 1;
FIG. 2 is a front elevational view of the second embodiment thereof, the sides and rear elevational views of which are identical;
FIG. 3 is a top plan view of the second embodiment thereof; and,
FIG. 4 is a bottom plan view of the second embodiment thereof.

1 Claim, 2 Drawing Sheets



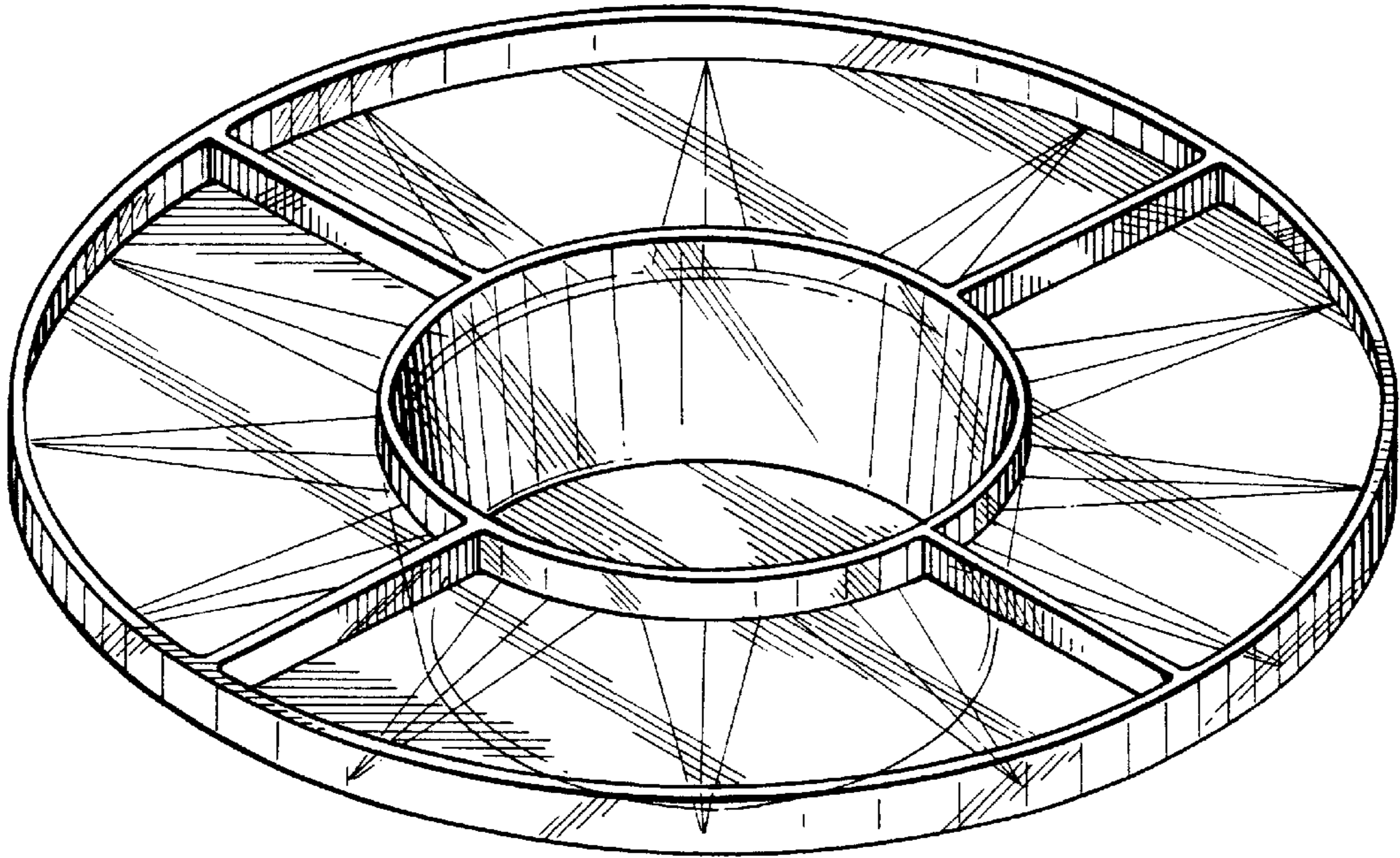


FIG. 1

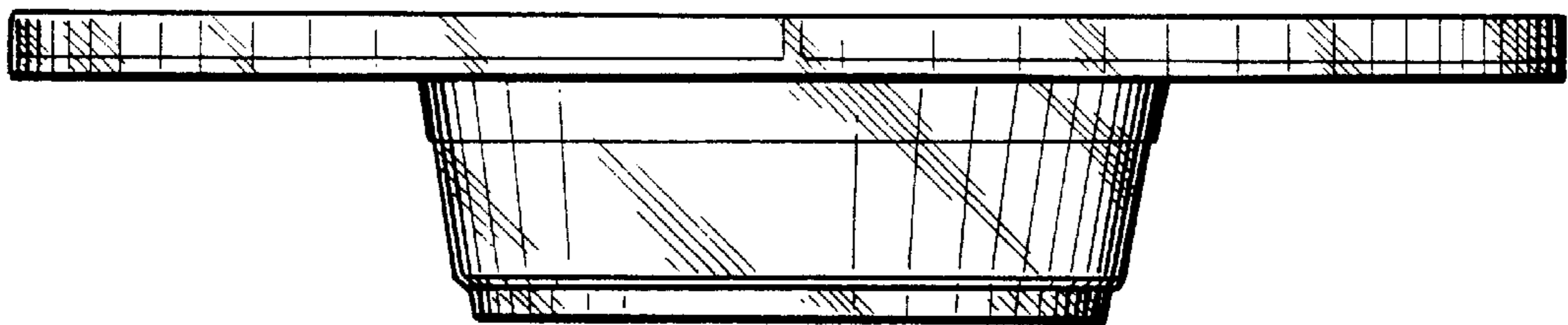


FIG. 2

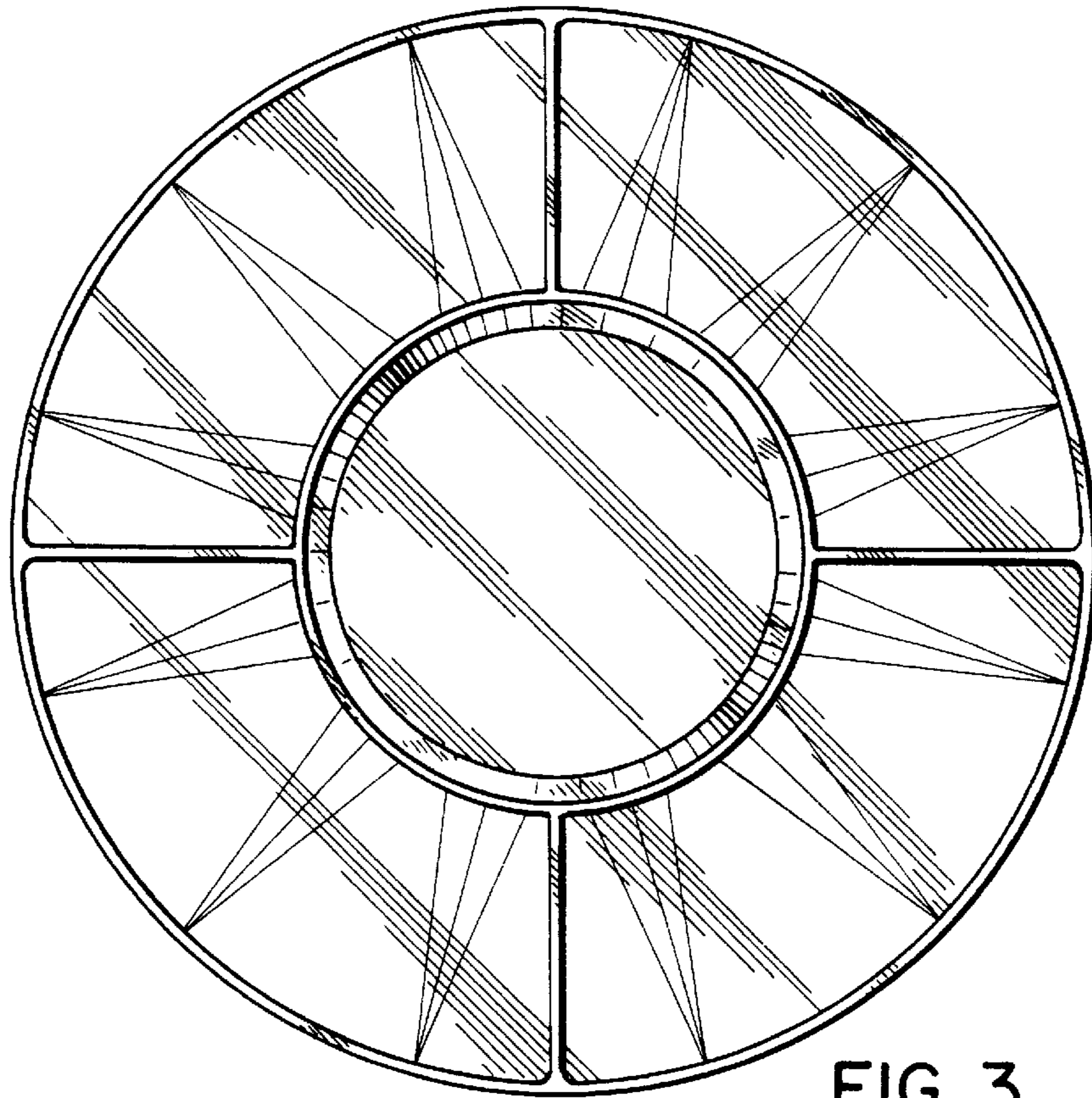


FIG. 3

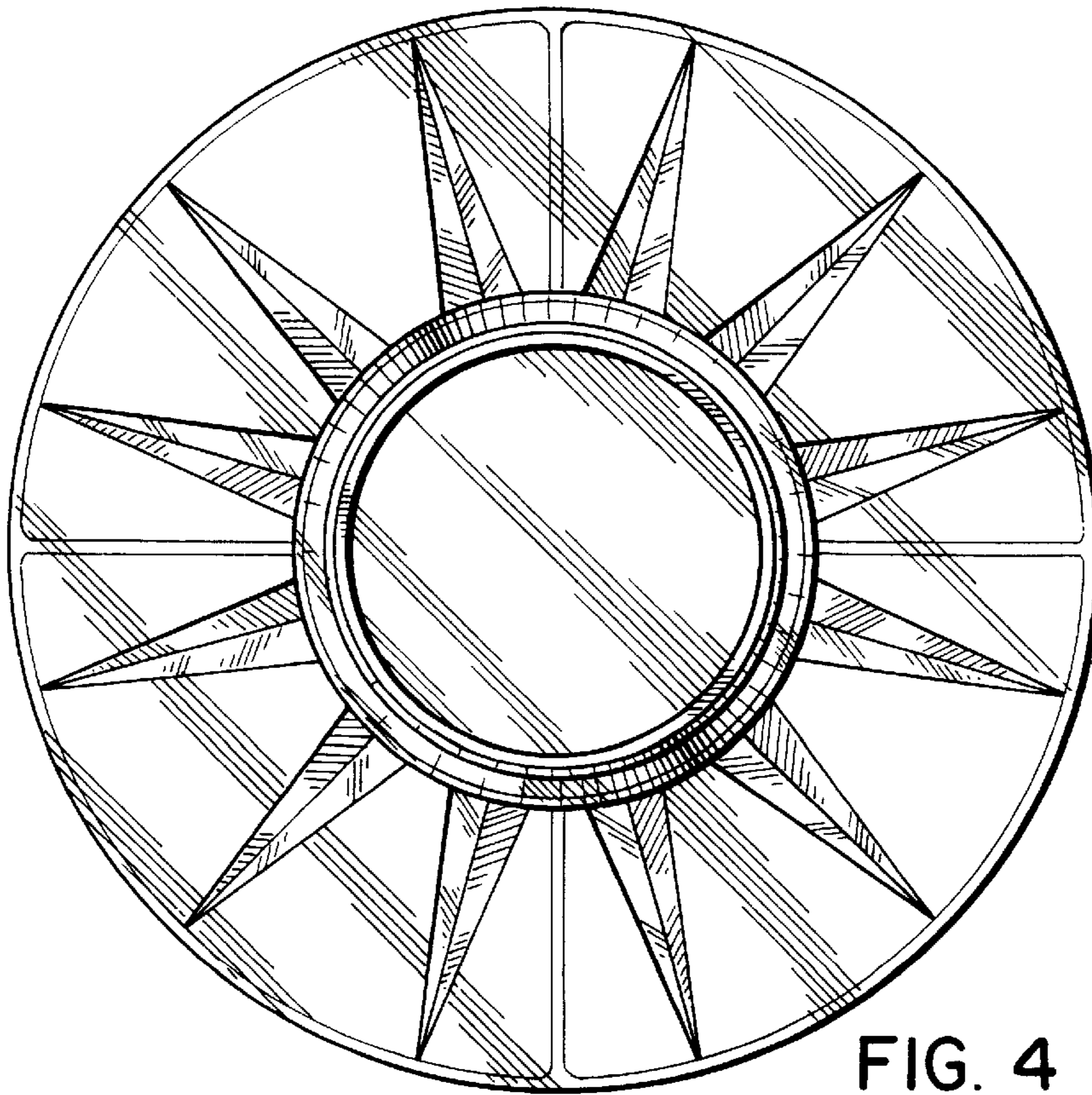


FIG. 4