



US00D418016S

United States Patent [19]

[11] **Patent Number: Des. 418,016**

Varlet

[45] **Date of Patent: ** Dec. 28, 1999**

[54] **THREE-HANDLED CUP**

2,657,891 11/1953 Van Haften et al. D7/507 X

[75] Inventor: **Marc F. Varlet**, Etel, France

Primary Examiner—M. N. Pandozzi

[73] Assignee: **Siep SA**, Etel, France

Attorney, Agent, or Firm—Lowe Hauptman Gopstein
Gilman & Berner

[**] Term: **14 Years**

[57] **CLAIM**

[21] Appl. No.: **29/083,430**

The ornamental design for a three-handled cup, as shown and described.

[22] Filed: **Jan. 29, 1998**

DESCRIPTION

[30] **Foreign Application Priority Data**

Jul. 29, 1997 [FR] France 974565
Aug. 8, 1997 [FR] France 974799

FIG. 1 is a perspective view of a cup having three handles in accordance with a first preferred embodiment of my invention;

[51] **LOC (6) Cl.** **07-01**

[52] **U.S. Cl.** **D7/533; D7/558**

FIG. 2 is a bottom view of the three-handled cup illustrated in FIG. 1;

[58] **Field of Search** D7/388, 387, 534,
D7/533, 507, 558, 622, 557, 704, 602,
545, 509, 523, 535; 220/23.4, 484, 711

FIG. 3 is a view, from the left side, of the three-handled cup illustrated in FIG. 1;

FIG. 4 is a view, from the right side, of the three-handled cup illustrated in FIG. 1;

[56] **References Cited**

U.S. PATENT DOCUMENTS

D. 166,832 5/1952 Thompson et al. D7/534
D. 194,621 2/1963 Bennett D7/523 X
D. 237,575 11/1975 Hamilton D7/545
D. 260,471 9/1981 Douglas D7/533
D. 293,291 12/1987 Hansen D7/533
D. 386,948 12/1997 Wissinger D7/533
D. 397,584 9/1998 Vannello D7/388 X

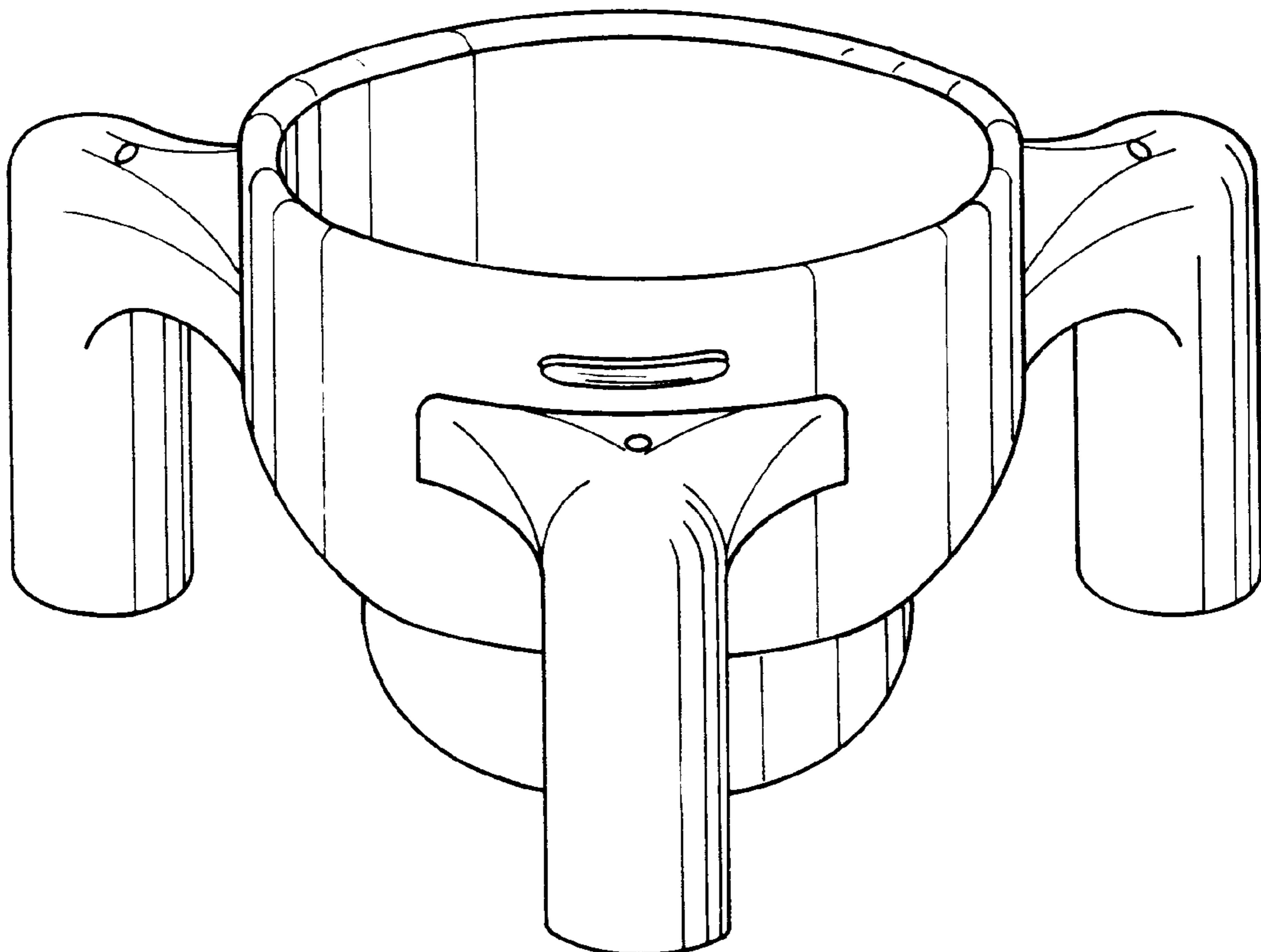
FIG. 5 is a top view of the three-handled cup illustrated in FIG. 1;

FIG. 6 is a front view of the three-handled cup illustrated in FIG. 1;

FIG. 7 is a back view of the three-handled cup illustrated in FIG. 1; and,

FIG. 8 is a cross-sectional view, through the center of the cup illustrated in FIG. 1.

1 Claim, 4 Drawing Sheets



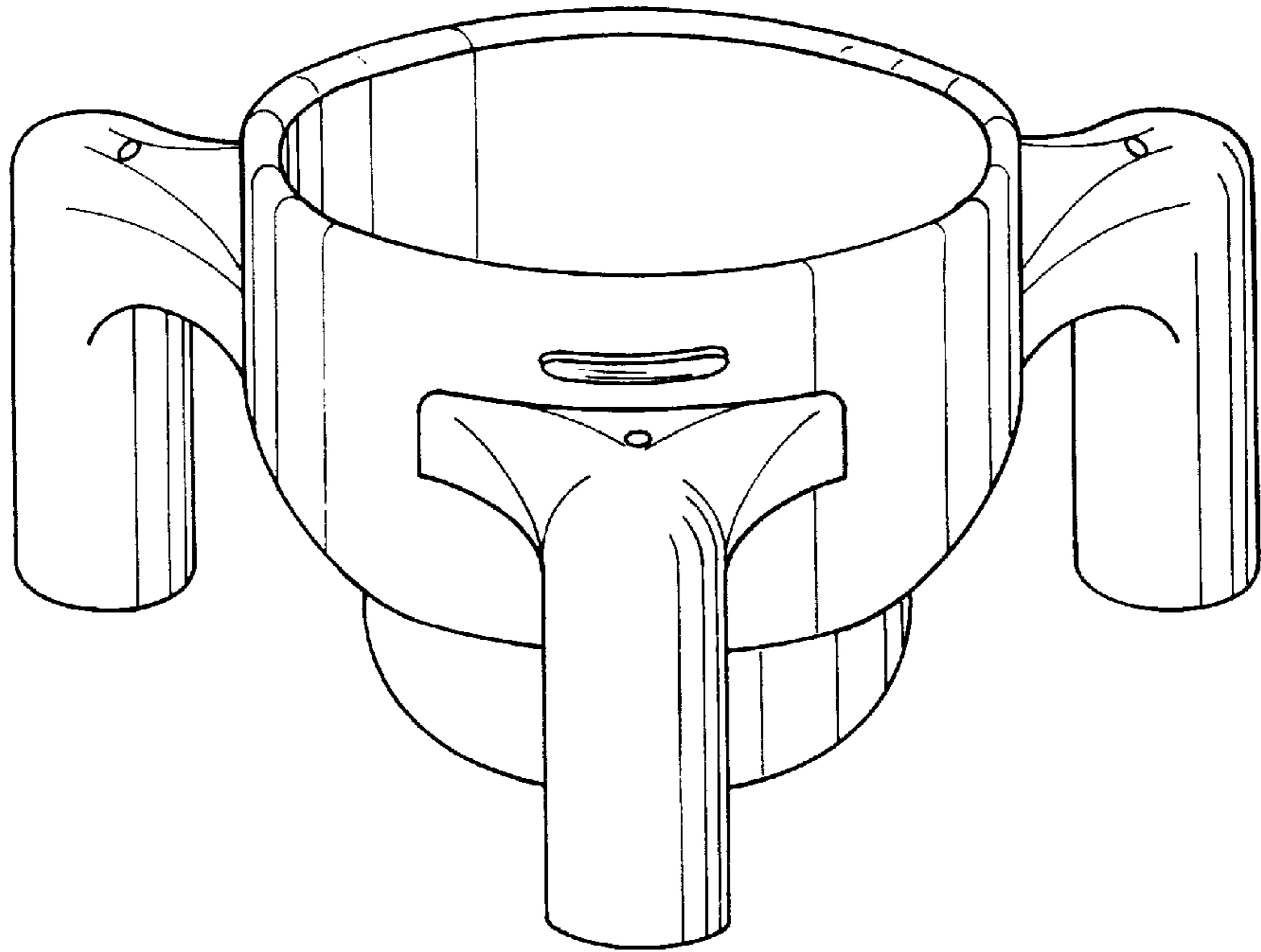


Fig. 1

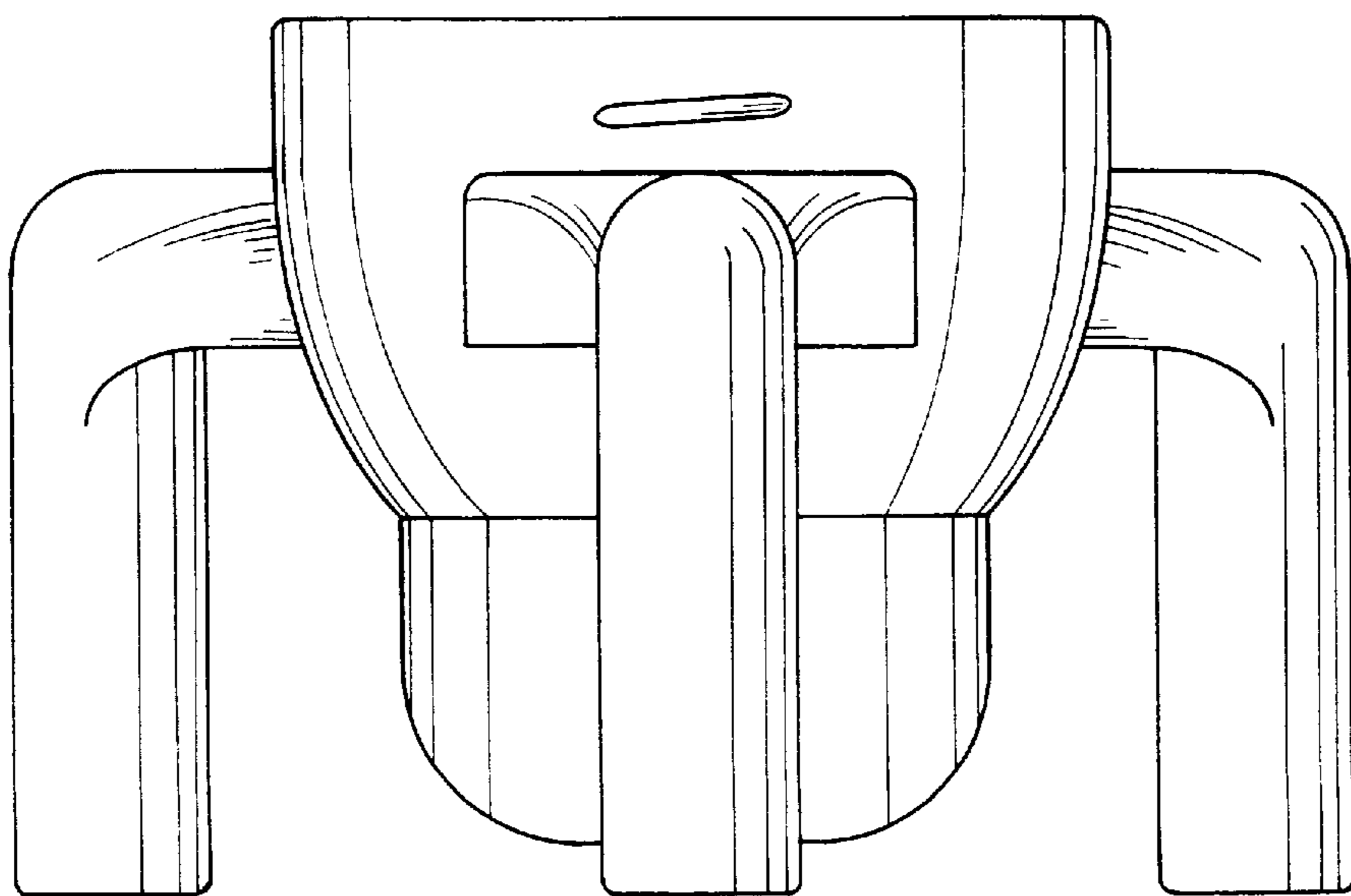


Fig. 2

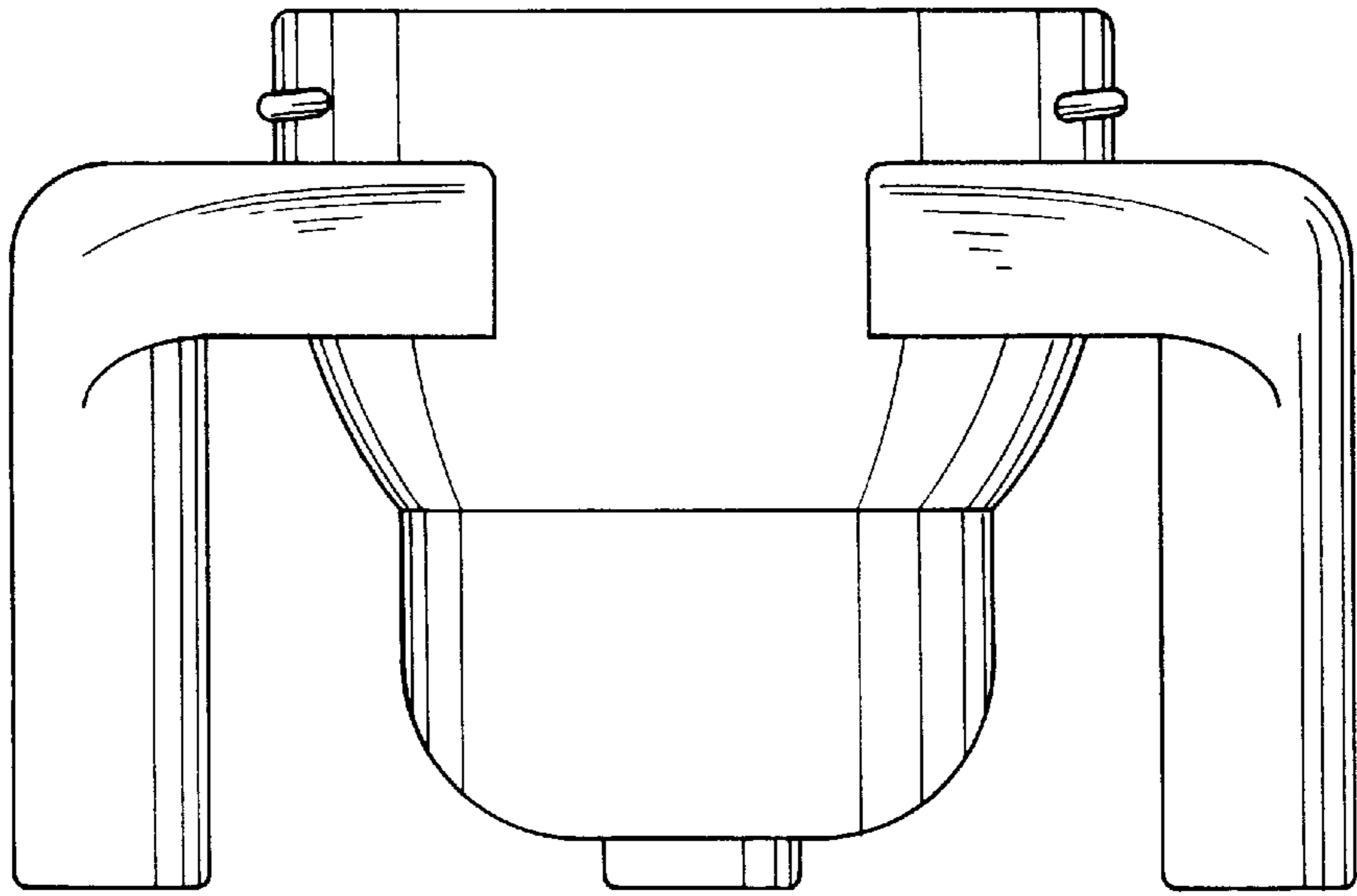


Fig. 3

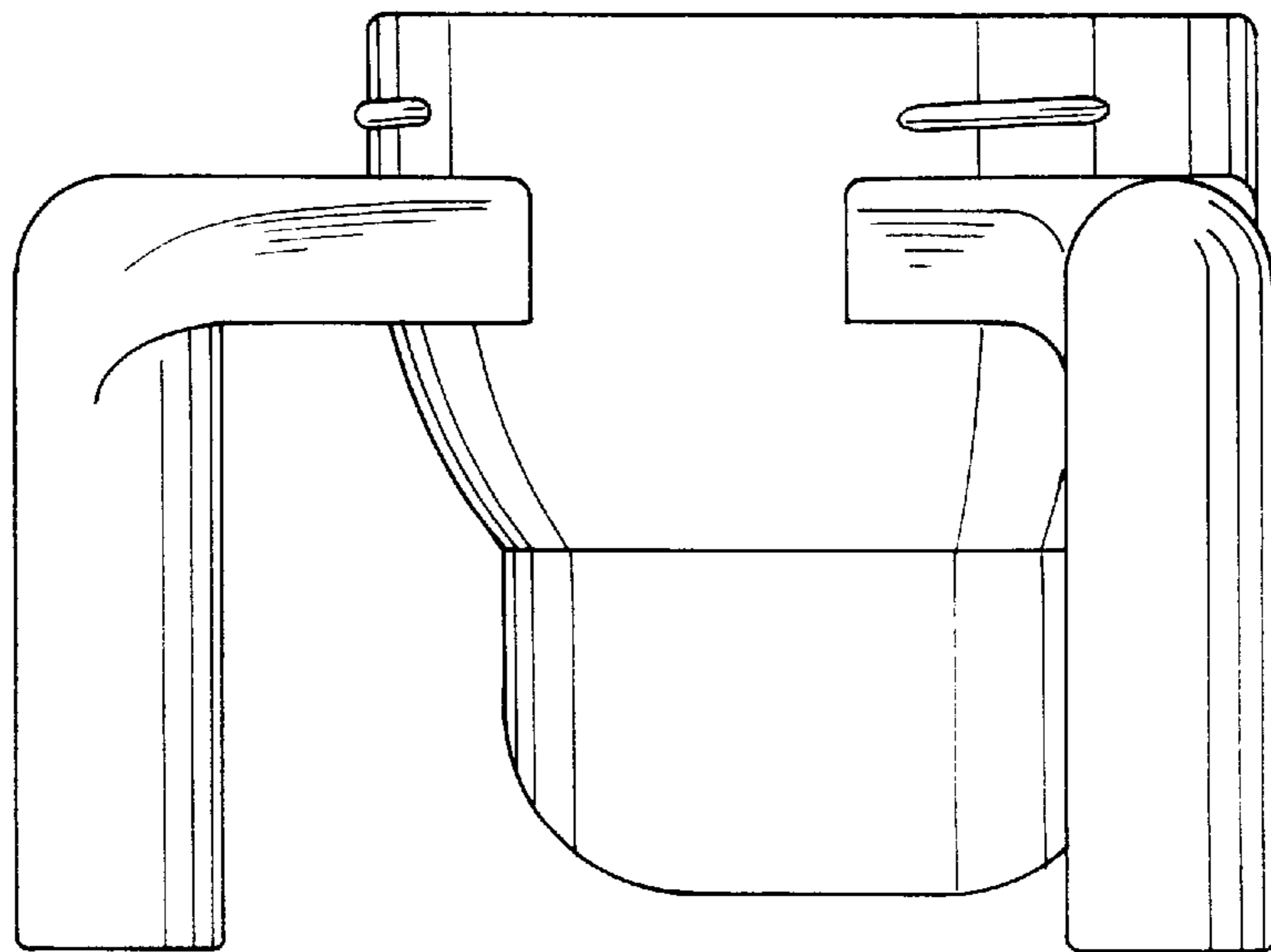


Fig. 4

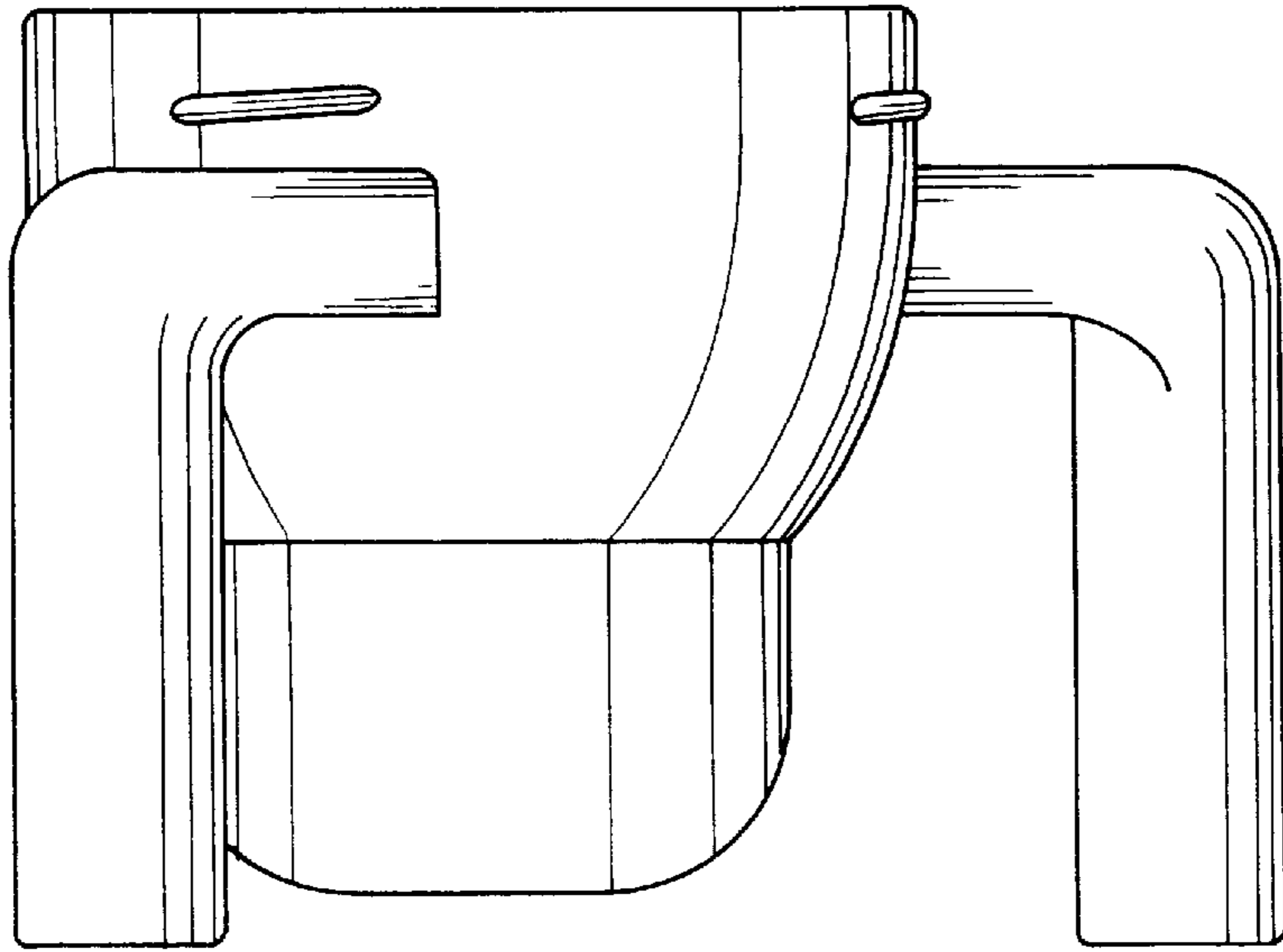


Fig. 5

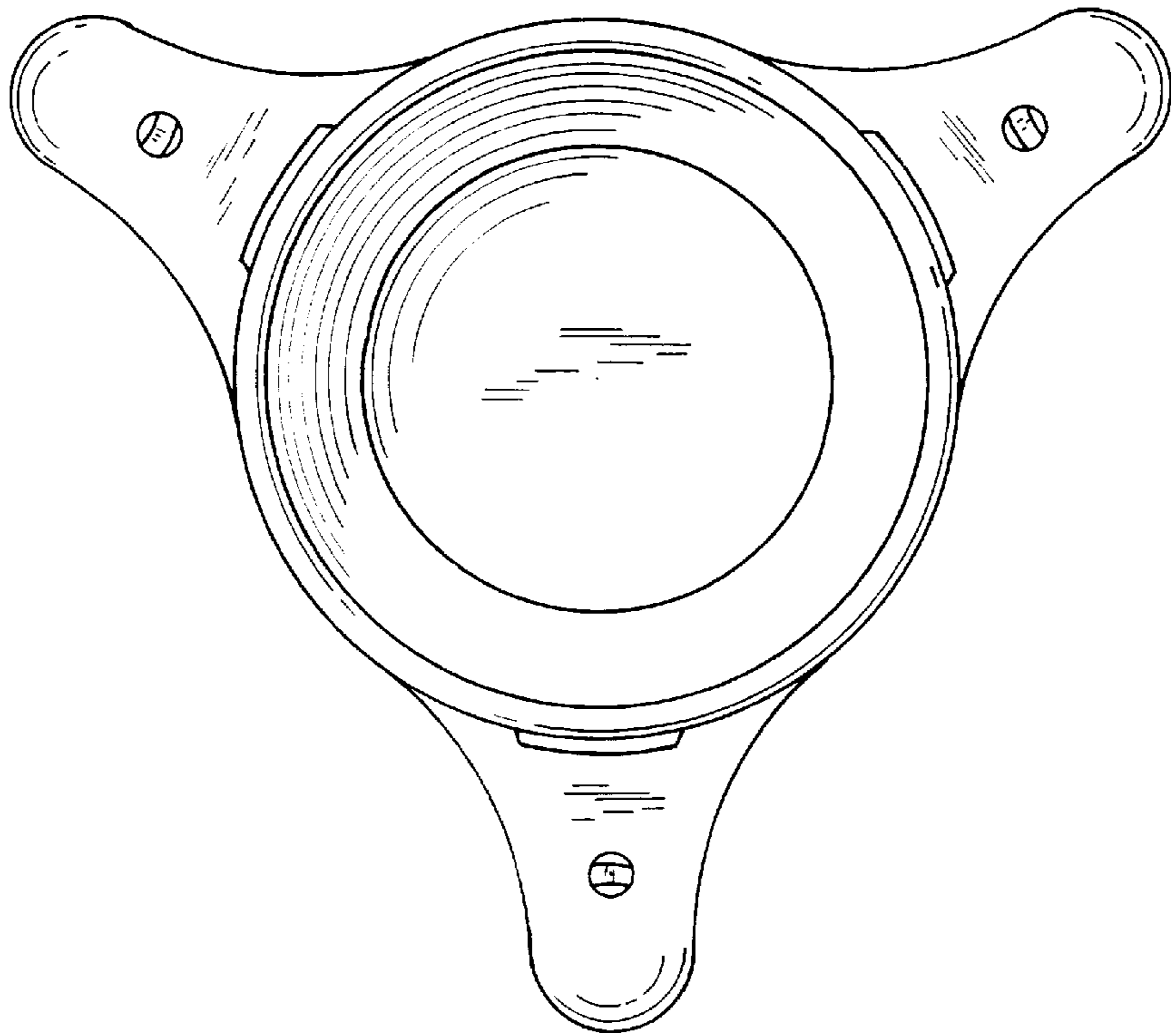


Fig. 6

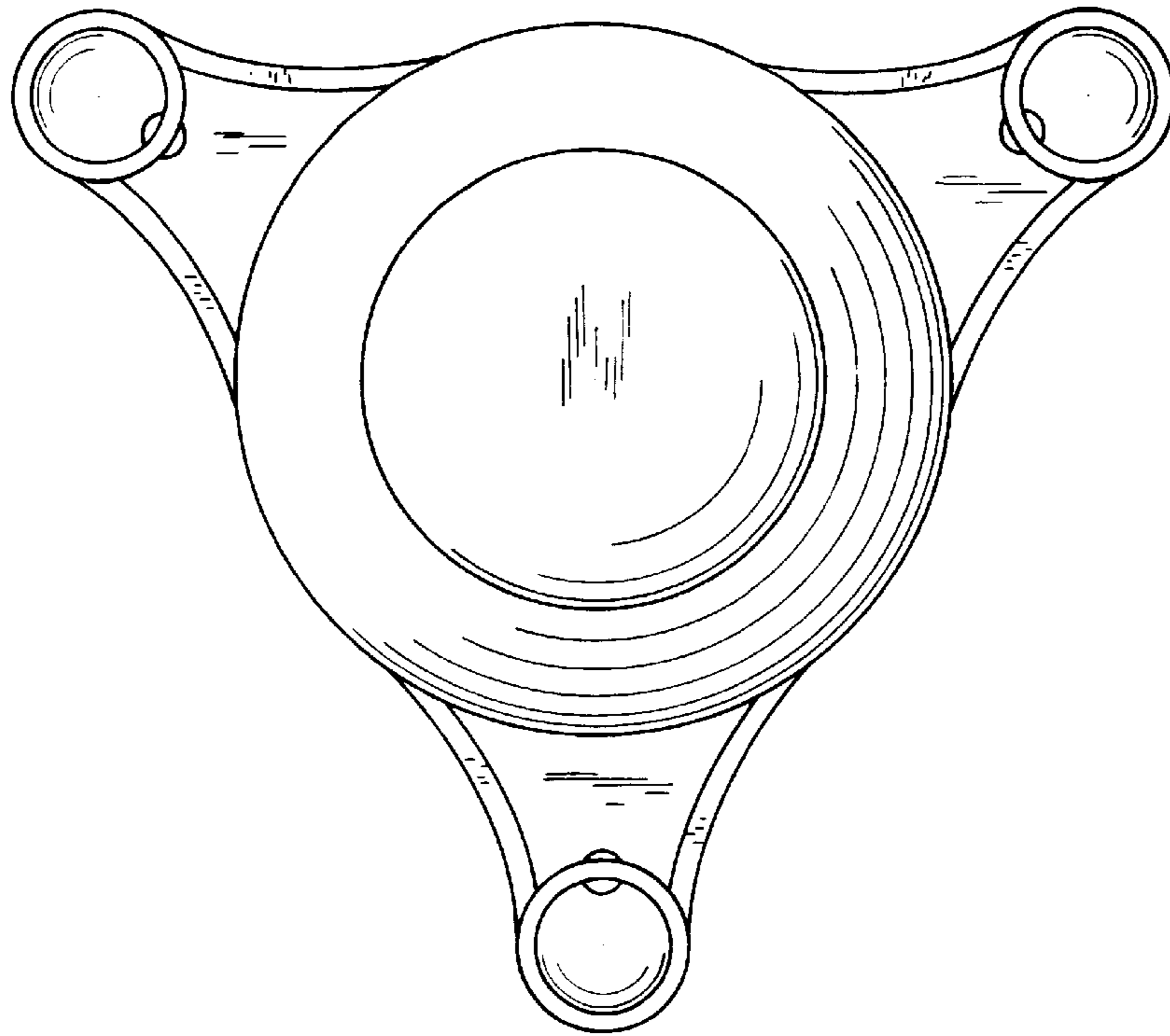


Fig. 7

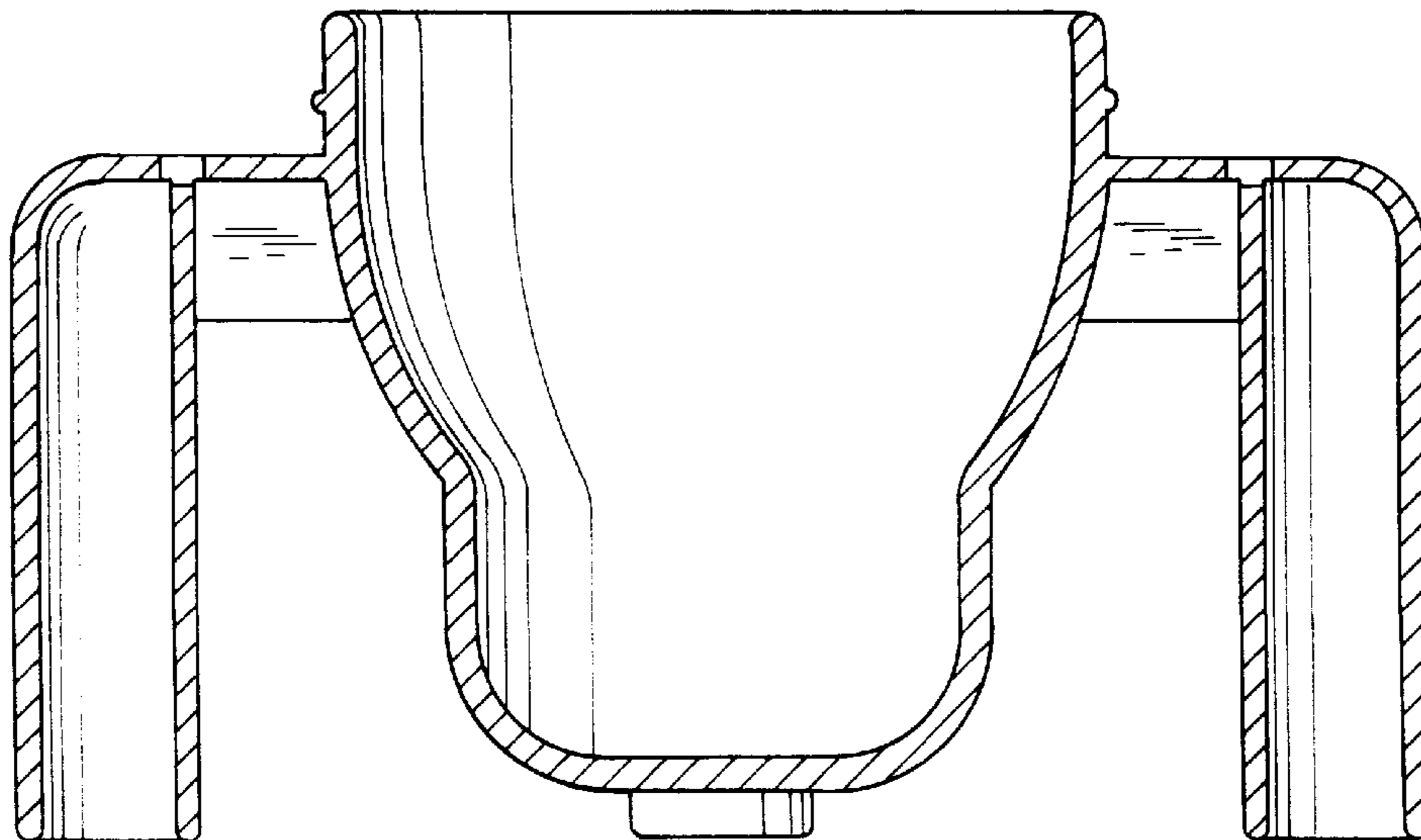


Fig. 8