



US00D418012S

# United States Patent [19]

Van Dullemen et al.

[11] Patent Number: Des. 418,012

[45] Date of Patent: \*\* Dec. 28, 1999

[54] FOOD SLICER

[75] Inventors: **Marlies Van Dullemen**, EN Leiden;  
**Marien Korthorst**, BH Rotterdam;  
**Boudewijn Casper Jung**,  
Bergen-Op-Zoom, all of Netherlands

[73] Assignee: **Berkel Productie Rotterdam BV**,  
Netherlands

[\*\*] Term: **14 Years**

[21] Appl. No.: **29/075,797**

[22] Filed: **Sep. 5, 1997**

[30] Foreign Application Priority Data

Apr. 8, 1997 [XH] Hague Agreement ..... DM039792

[51] LOC (6) Cl. .... **31-00**

[52] U.S. Cl. .... **D7/383**

[58] Field of Search ..... D7/381, 383; D15/127;  
83/703-730

## [56] References Cited

### U.S. PATENT DOCUMENTS

- D. 107,855 1/1938 Dapp ..... D7/383
- D. 113,839 3/1939 Hand ..... D7/383
- D. 124,788 1/1941 Weiner ..... D7/383
- D. 135,739 6/1943 Arens et al. .... D7/383

- D. 155,292 9/1949 Klingens et al. .... D7/383
- D. 162,996 4/1951 Sivertsen ..... D7/383
- D. 165,082 11/1951 Little ..... D7/383
- D. 180,304 5/1957 Duyn ..... D7/383
- D. 190,051 4/1961 Lundell ..... D7/383
- D. 263,594 3/1982 Kuchler ..... D7/383
- D. 269,347 6/1983 Cantatore et al. .... D7/383

*Primary Examiner*—Caron D. Veynar  
*Attorney, Agent, or Firm*—Kirschstein, et al.

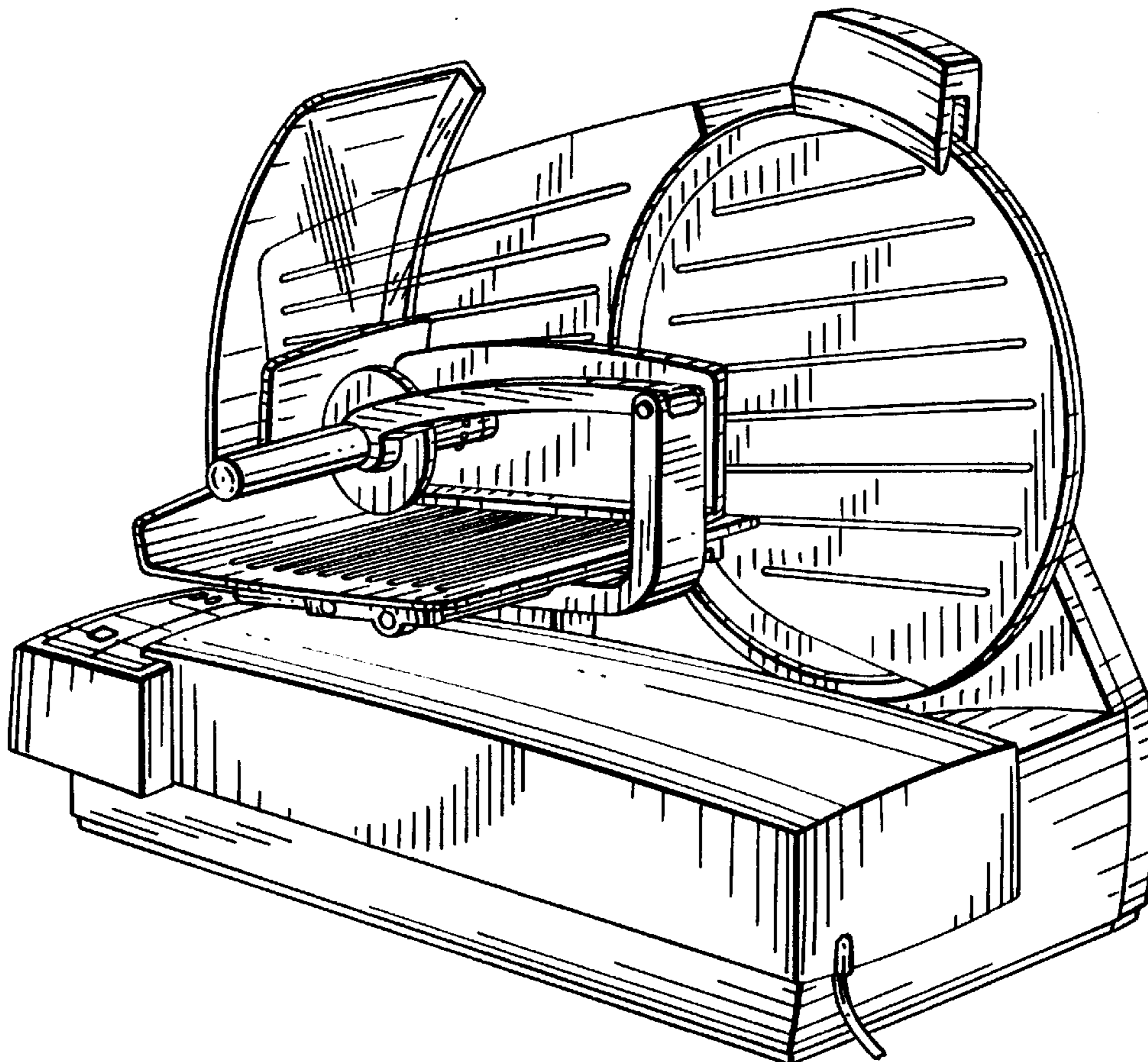
## [57] CLAIM

The ornamental design for a food slicer, as shown and described.

## DESCRIPTION

FIG. 1 is a front and left side perspective view of a food slicer according to our new design;  
 FIG. 2 is a back and right side perspective view of the food slicer of FIG. 1, with the base removed for ease of illustration;  
 FIG. 3 is identical to FIG. 2, but with the base installed;  
 FIG. 4 is a back and left side perspective view of the food slicer of FIG. 1, with the base installed;  
 FIG. 5 is a top plan view of the food slicer of FIG. 1, with the base removed; and,  
 FIG. 6 is a bottom plan view of the food slicer of FIG. 1, with the base removed for ease of illustration.

1 Claim, 6 Drawing Sheets



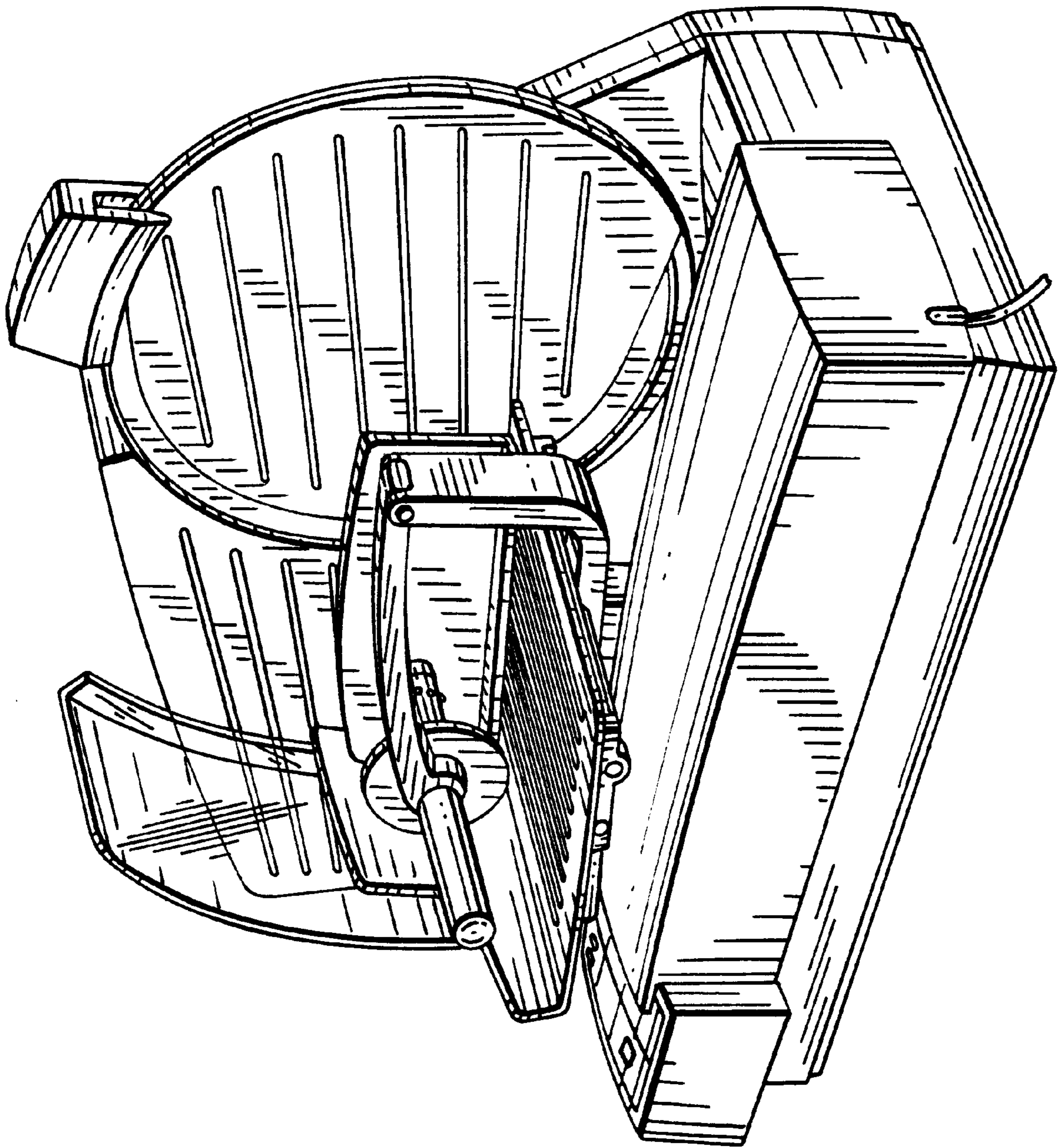


FIG. 1

FIG. 2

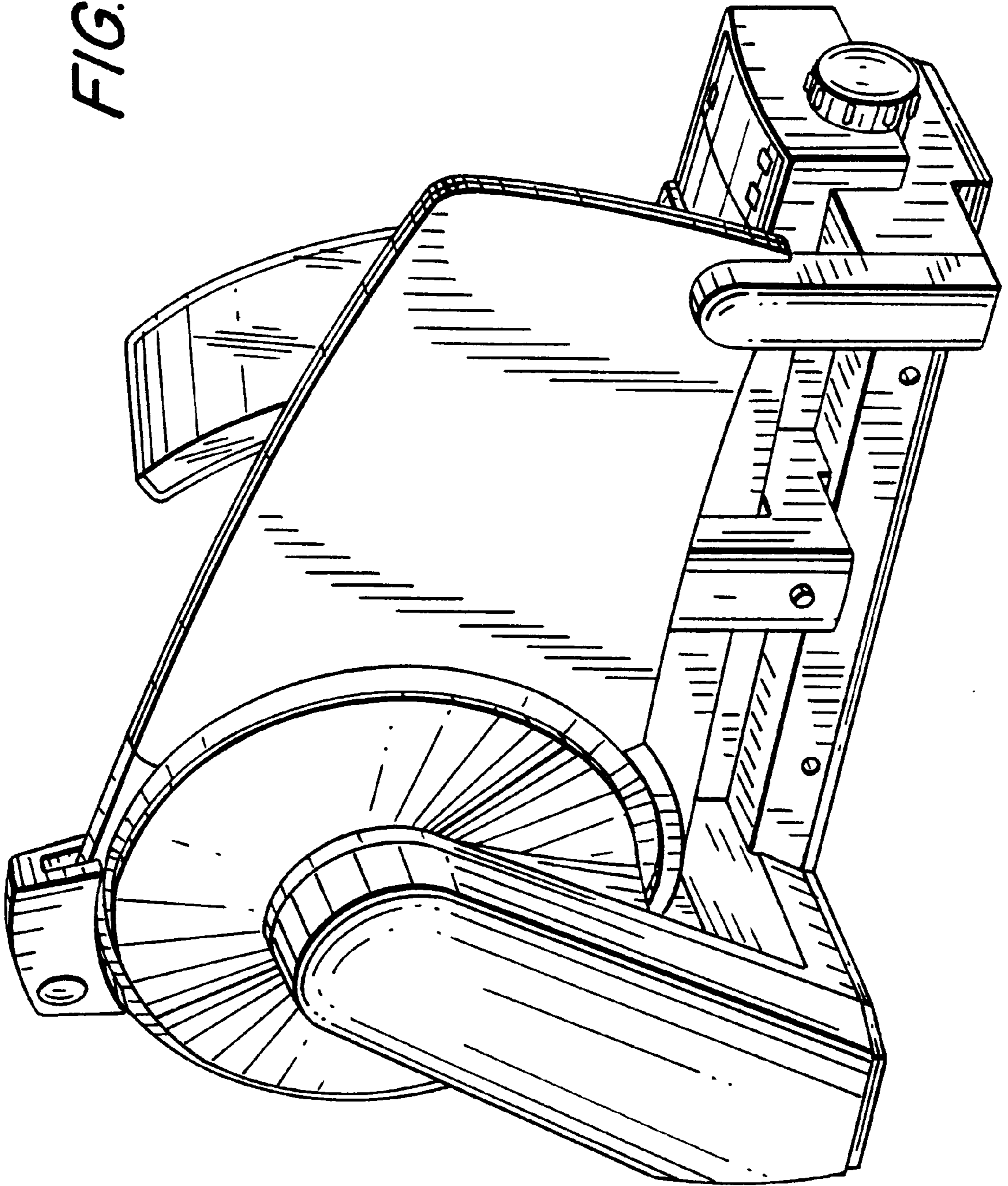
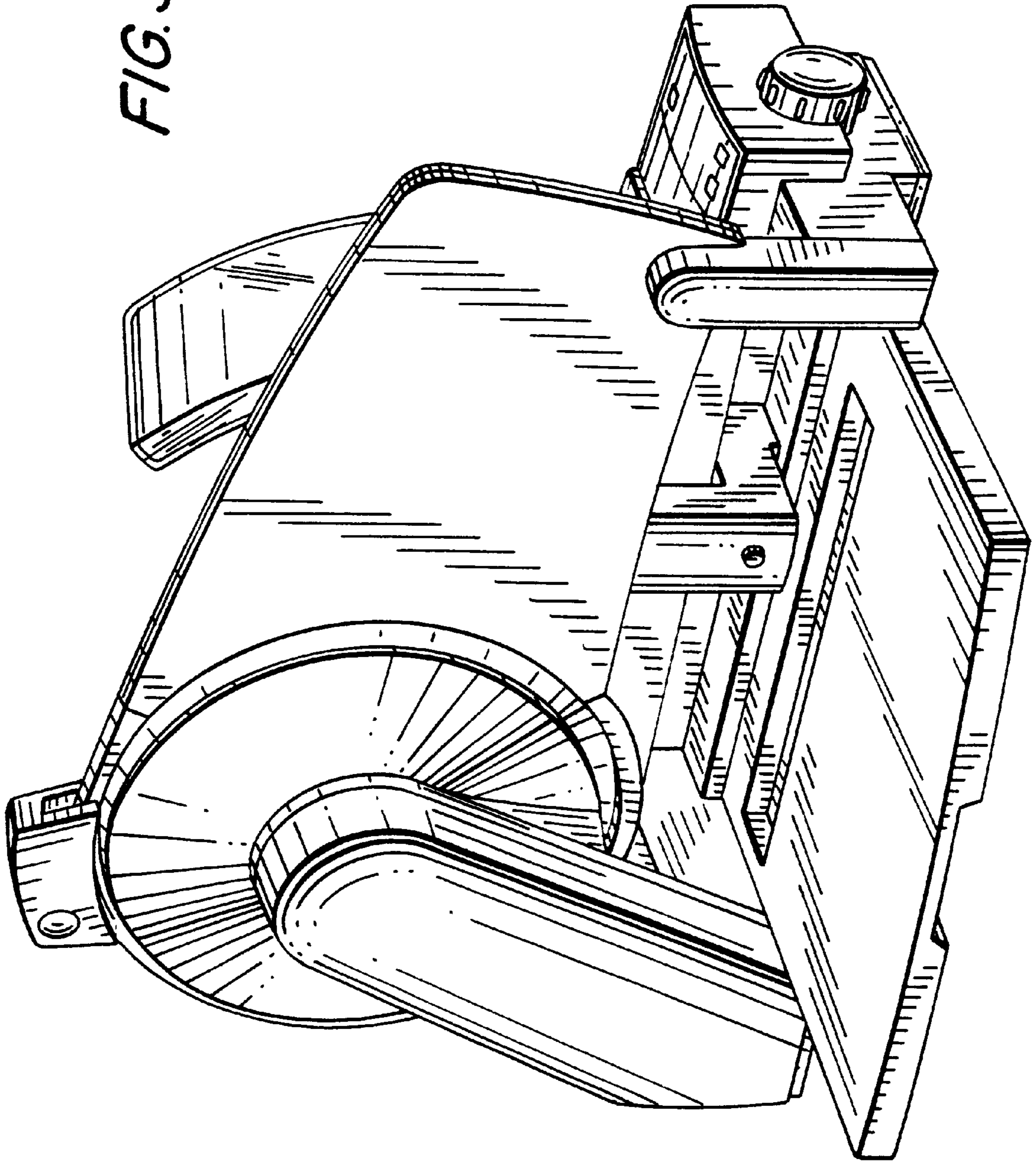


FIG. 3



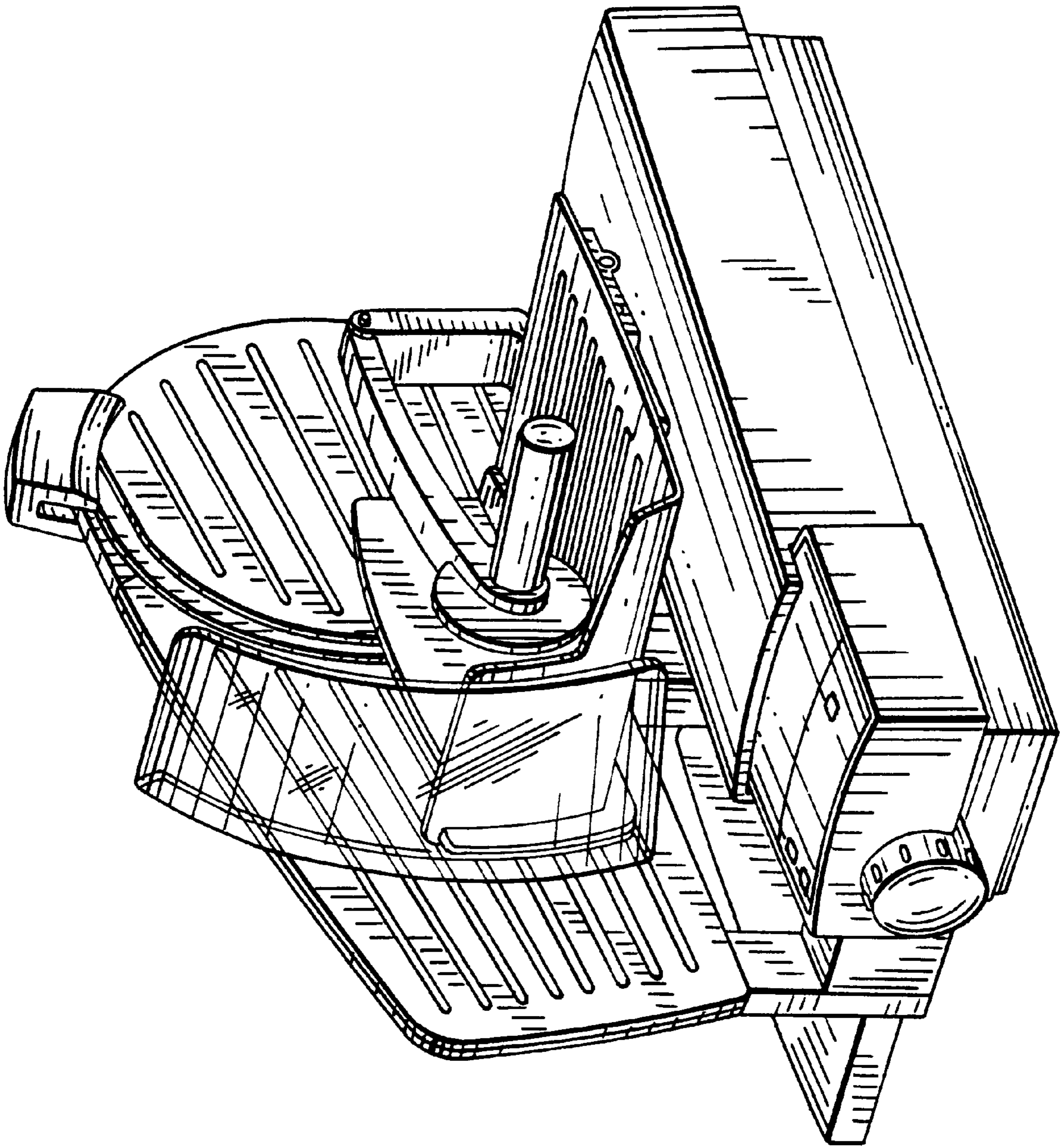


FIG. 4

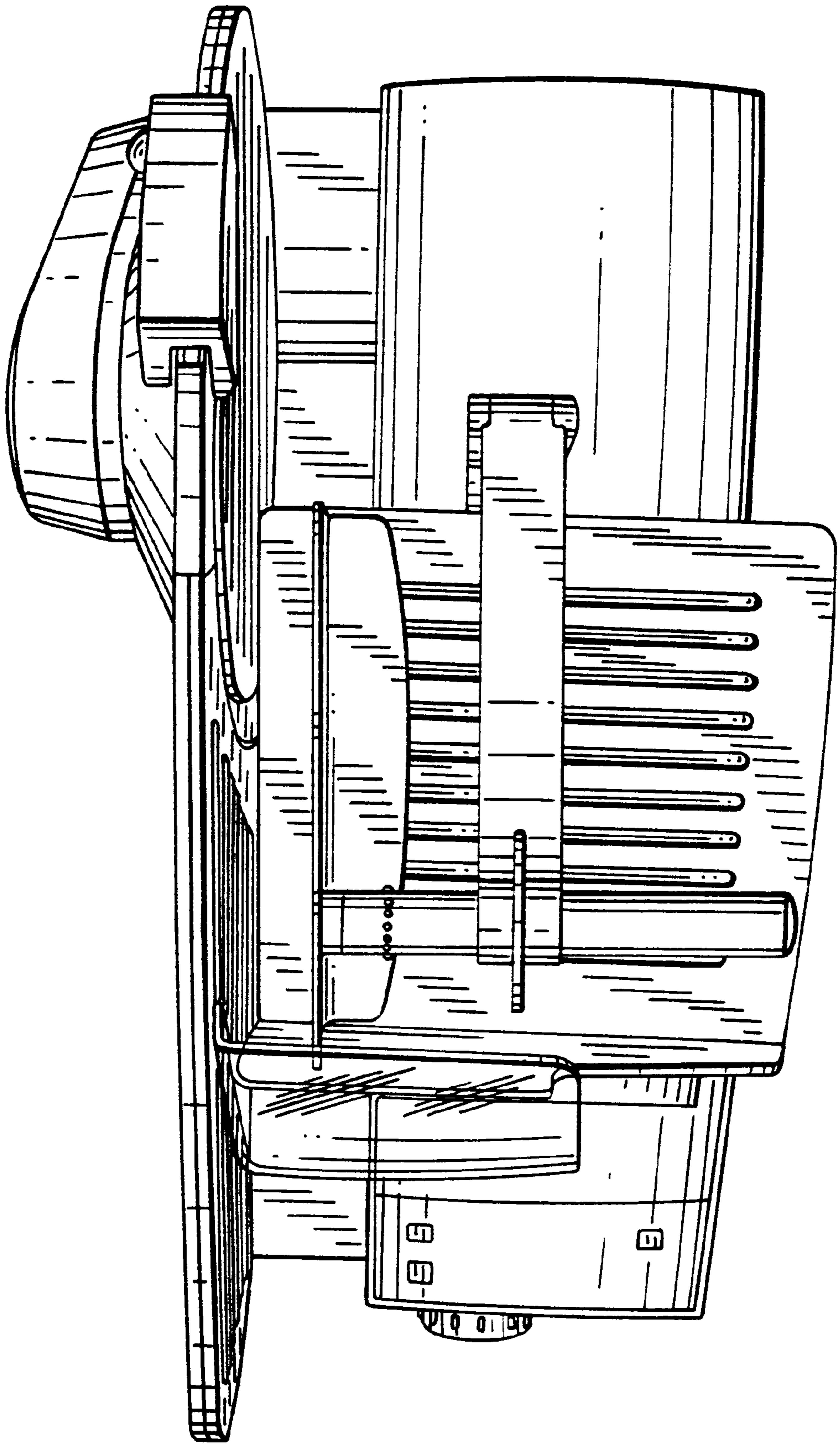


FIG. 5

FIG. 6

