



US00D418007S

# United States Patent [19]

**Boughey et al.**

[11] **Patent Number: Des. 418,007**

[45] **Date of Patent: \*\* Dec. 28, 1999**

[54] **MICROWAVE PRESSURE COOKER**

D. 381,553 7/1997 Candianides ..... D7/356

[75] Inventors: **Terence Boughey; Nicola Cursio**, both of Dandenong; **Christopher Collins**, Belgrave Heights, all of Australia

*Primary Examiner*—Caron D. Veynar  
*Attorney, Agent, or Firm*—Woodcock Washburn Kurtz MacKiewicz & Norris LLP

[73] Assignee: **Star Maid International Pty Ltd.**, Victoria, Australia

### [57] CLAIM

[\*\*] Term: **14 Years**

The ornamental design for a microwave pressure cooker, as shown and described.

[21] Appl. No.: **29/089,072**

### DESCRIPTION

[22] Filed: **Jun. 8, 1998**

### [30] Foreign Application Priority Data

Dec. 10, 1997 [AU] Australia ..... 4009/97

FIG. 1 is an exploded perspective view of the microwave pressure cooker showing our new design;

[51] **LOC (6) Cl.** ..... **07-02**

FIG. 2 is a bottom perspective view of the pot shown separately for ease of illustration;

[52] **U.S. Cl.** ..... **D7/358**

FIG. 3 is a top plan view thereof;

[58] **Field of Search** ..... D7/354-361, 500; 99/324, 339, 467; 126/348

FIG. 4 is an exploded right side elevation view, the left side elevation view being identical;

FIG. 5 is a front perspective view thereof; and,

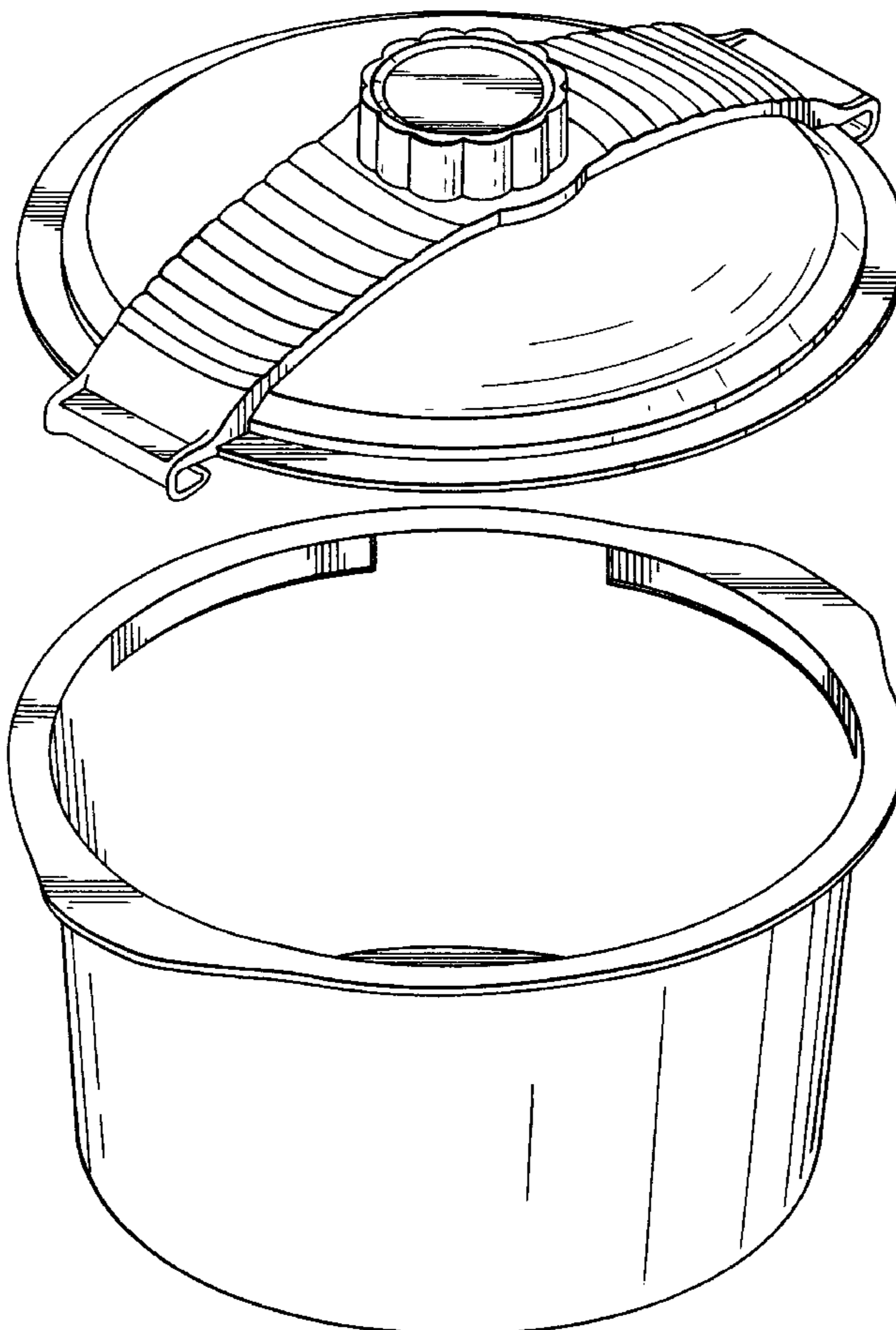
FIG. 6 is an enlarged and exploded fragmentary perspective view of the latch area circled on FIG. 5.

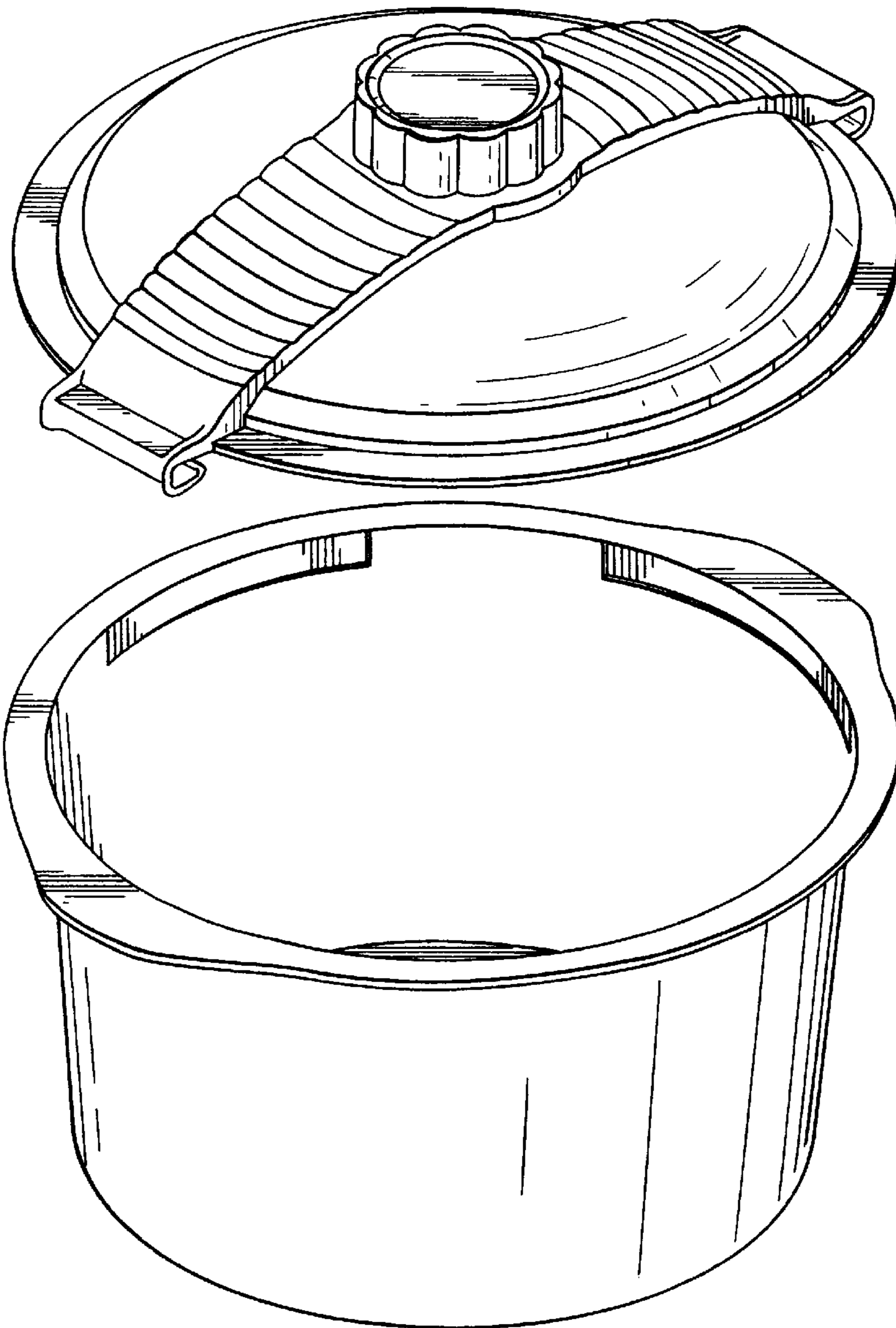
### [56] References Cited

#### U.S. PATENT DOCUMENTS

D. 168,261 11/1952 Gruen ..... D7/392.1

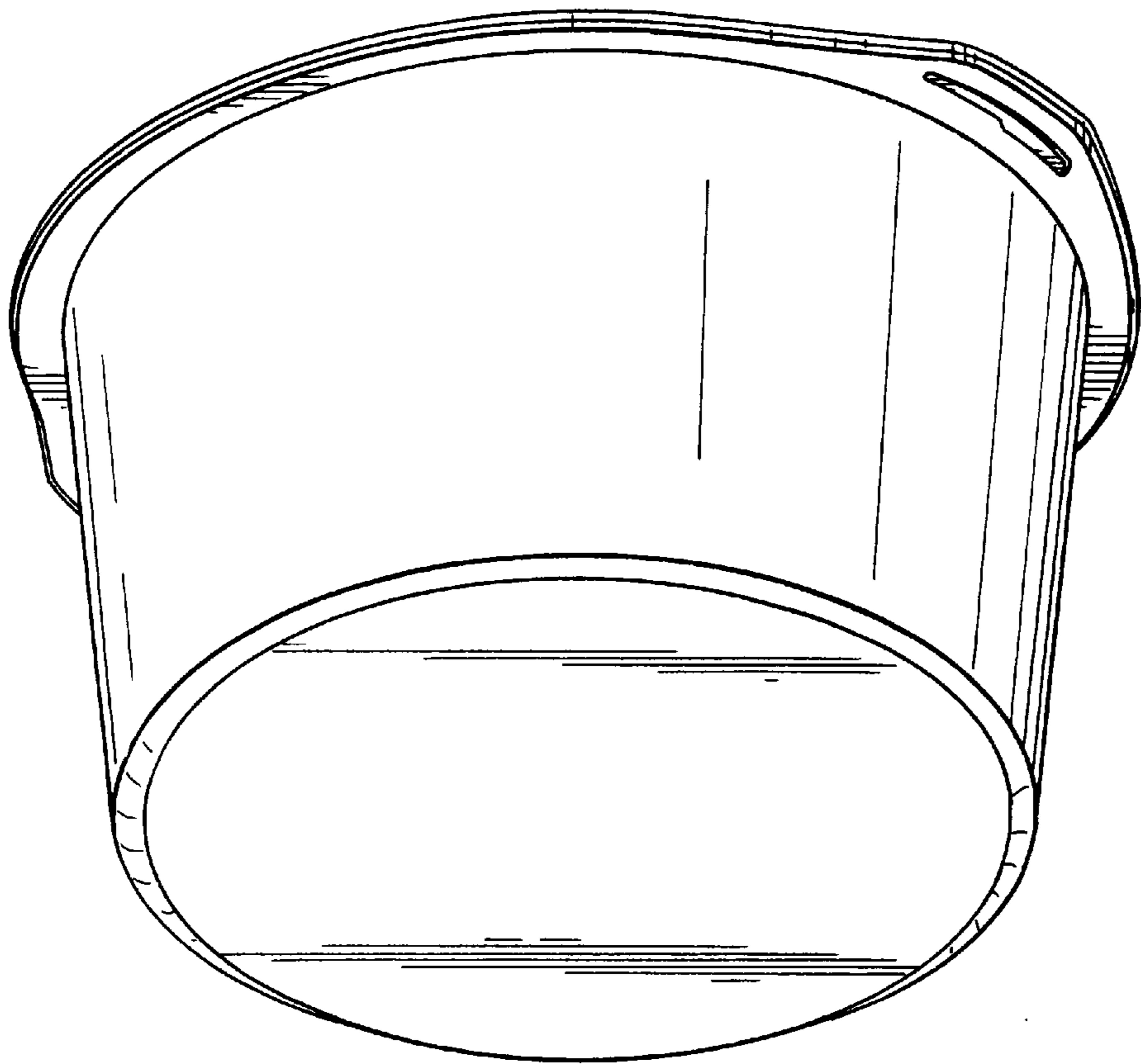
**1 Claim, 4 Drawing Sheets**



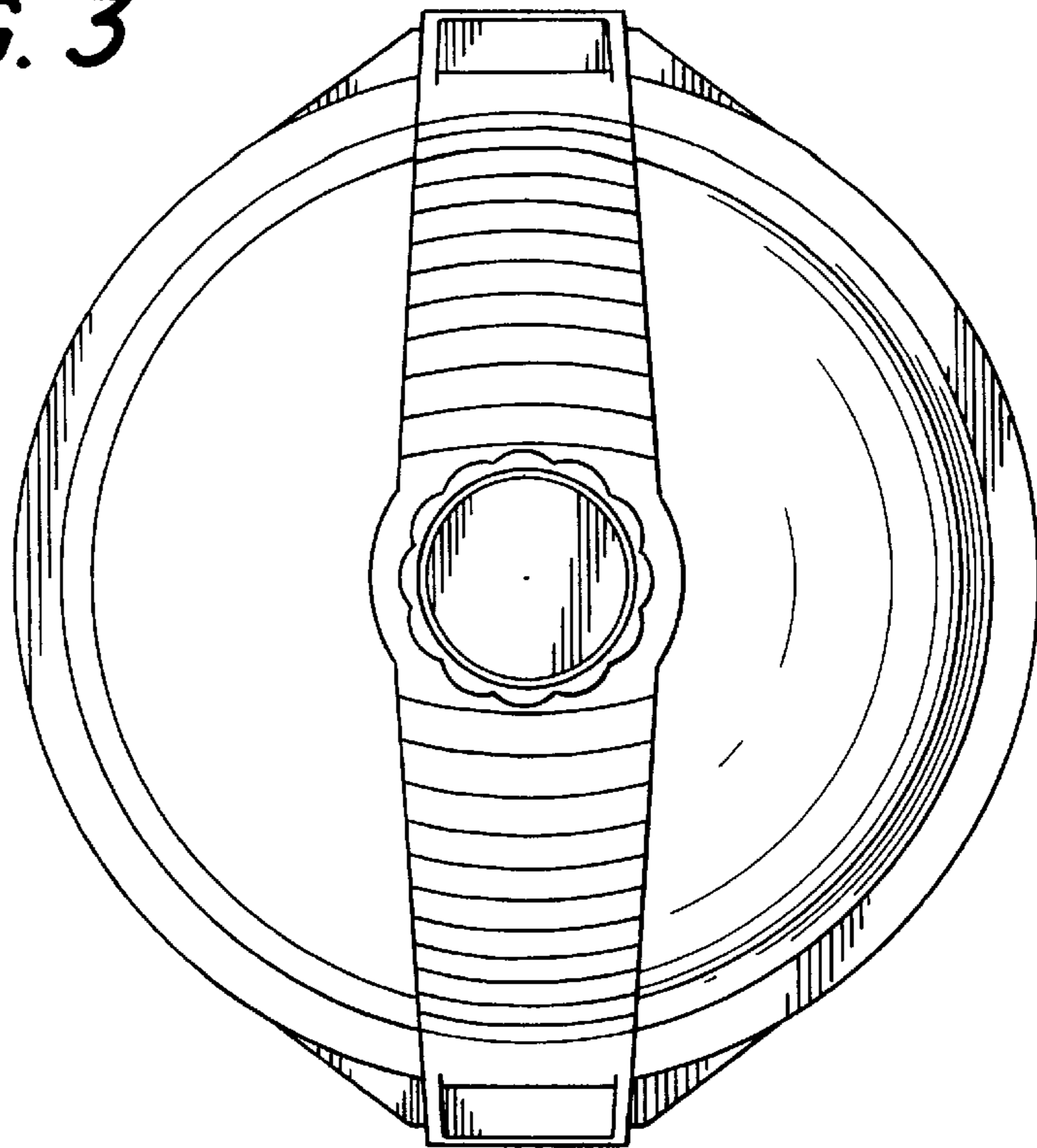


*FIG. 1*

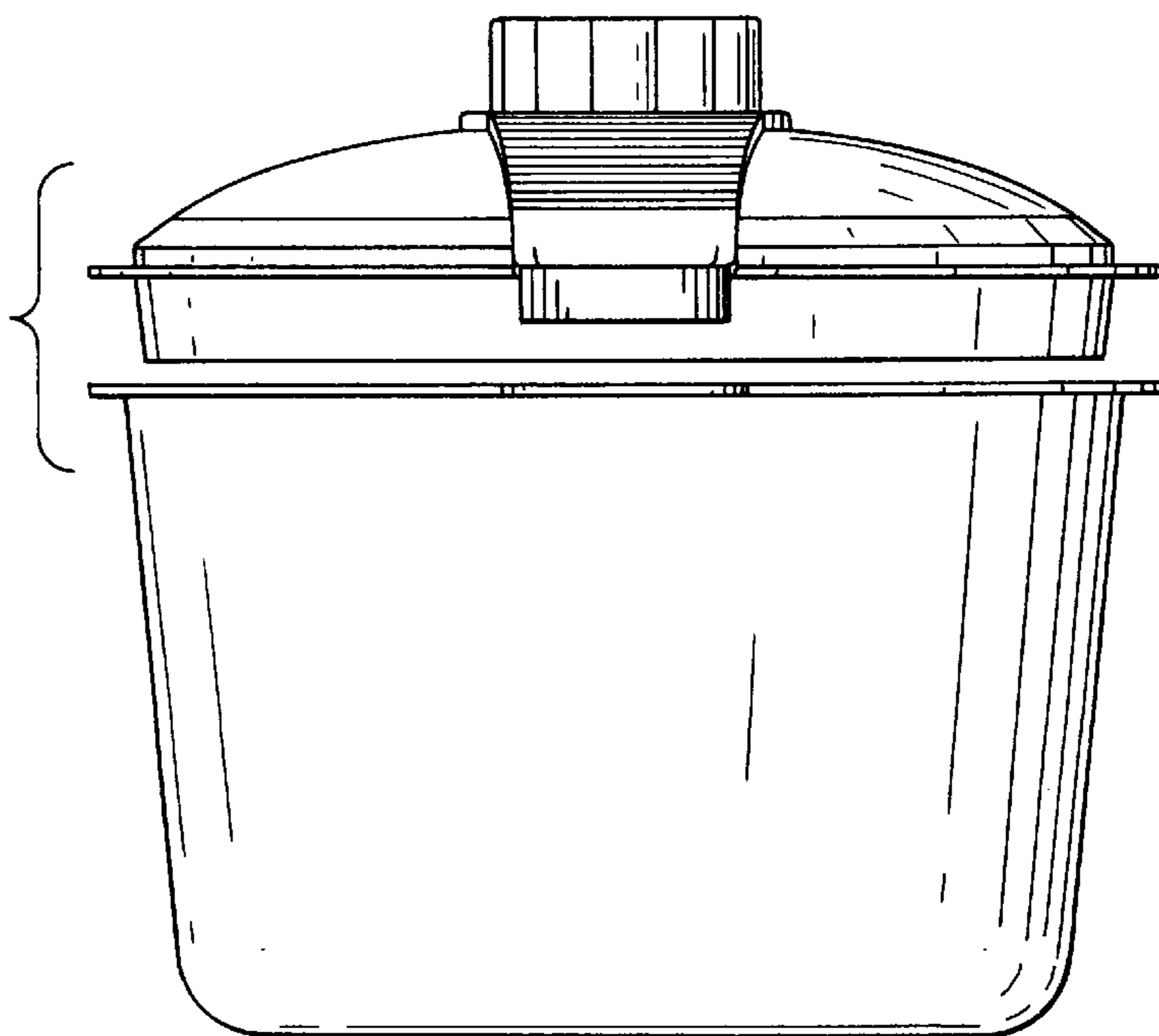
***FIG. 2***



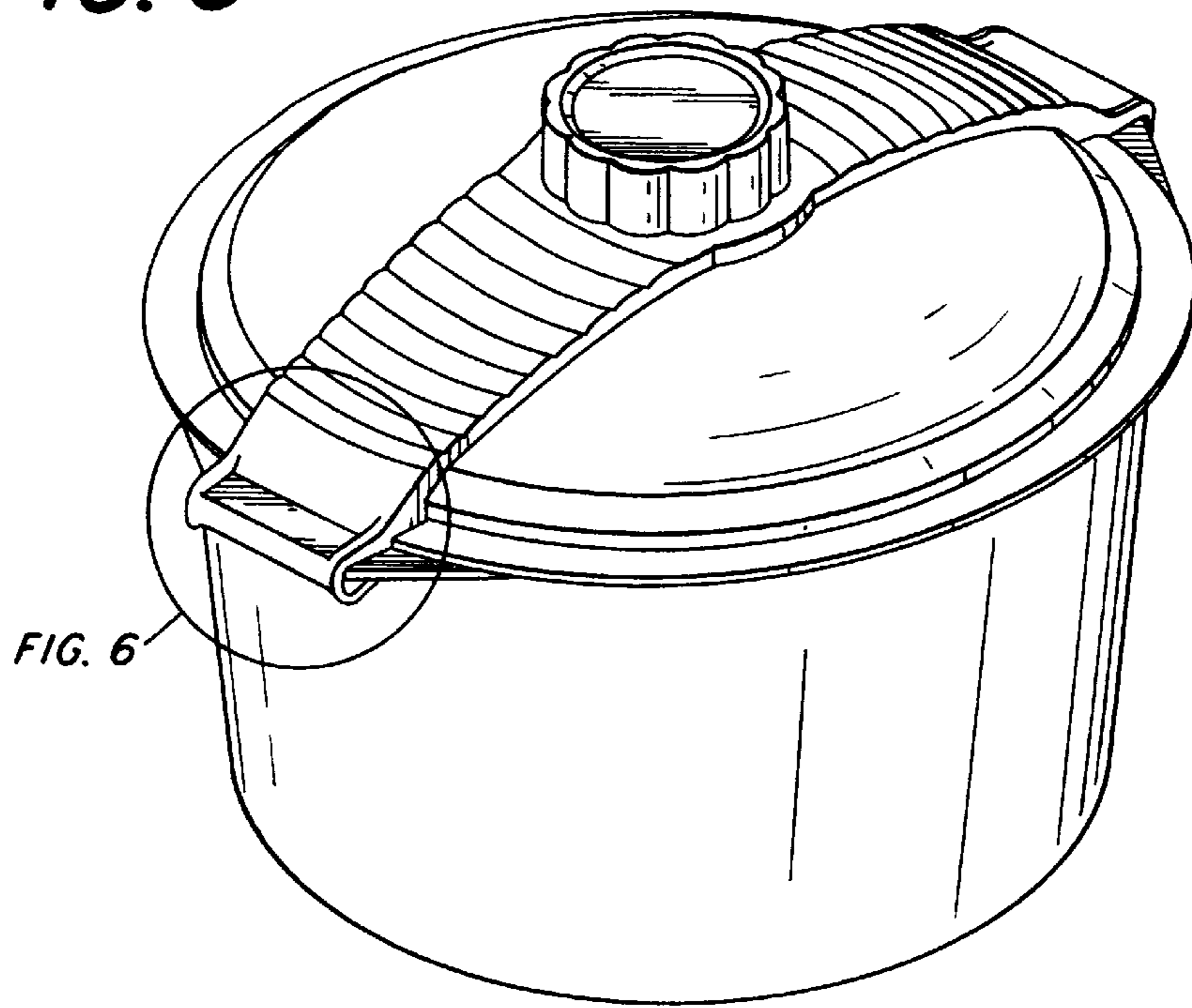
*FIG. 3*



*FIG. 4*



**FIG. 5**



**FIG. 6**

