



US00D418005S

United States Patent [19]

Morris

[11] Patent Number: **Des. 418,005**

[45] Date of Patent: **** Dec. 28, 1999**

[54] **COOKING DEVICE**

[76] Inventor: **Jonathan Emrys Morris**, 30 Centre Drive, Newmarket, Suffolk CB8 8AN, United Kingdom

[**] Term: **14 Years**

[21] Appl. No.: **29/077,787**

[22] Filed: **Oct. 15, 1997**

[30] **Foreign Application Priority Data**

Apr. 16, 1997 [GB] United Kingdom 2064930

[51] **LOC (6) Cl.** **07-02**

[52] **U.S. Cl.** **D7/338; D7/350**

[58] **Field of Search** D7/332-337, 339-341, D7/347-348, 402-405, 338; 126/9 R, 25 R, 25 A-25 AA, 26, 29-30, 38, 39 E, 39 L, 40, 41 R, 51; 99/419-420, 421 R, 421 H, 443 R-443 C, 422, 425, 444, 446

[56] **References Cited**

U.S. PATENT DOCUMENTS

D. 185,251 5/1959 Wilson D7/338

D. 189,603	1/1961	Paschal	D7/338
D. 203,087	11/1965	Vaughan	D7/338
D. 238,897	2/1976	Wilson	D7/338
D. 254,308	2/1980	Polak et al.	D7/338
D. 292,863	11/1987	Johansson	D7/338
D. 349,419	8/1994	Koopman	D7/338
5,044,262	9/1991	Burkett et al.	D7/338

Primary Examiner—Ruth McInroy
Attorney, Agent, or Firm—Lee, Mann, Smith, McWilliams, Sweeney & Ohlson

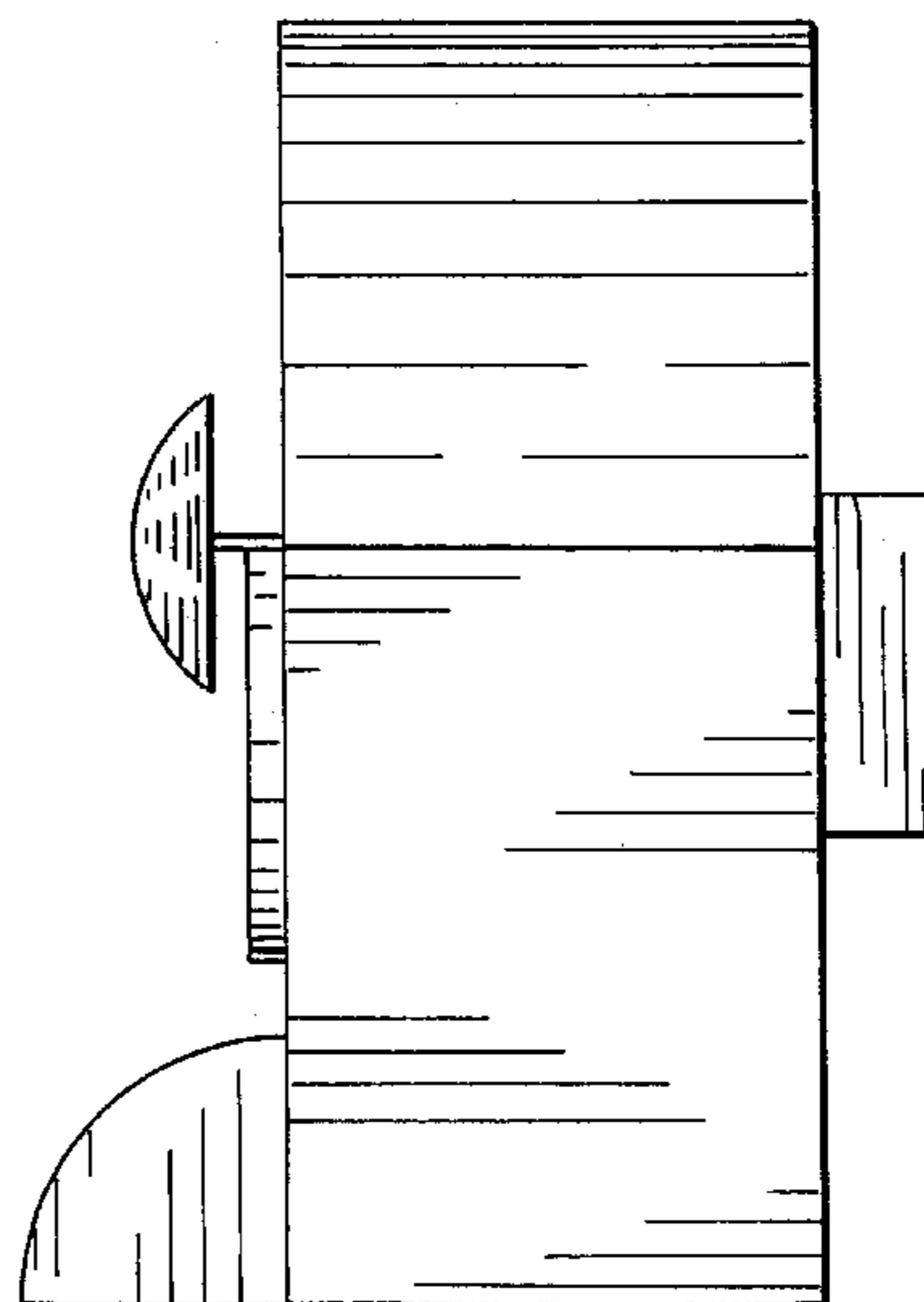
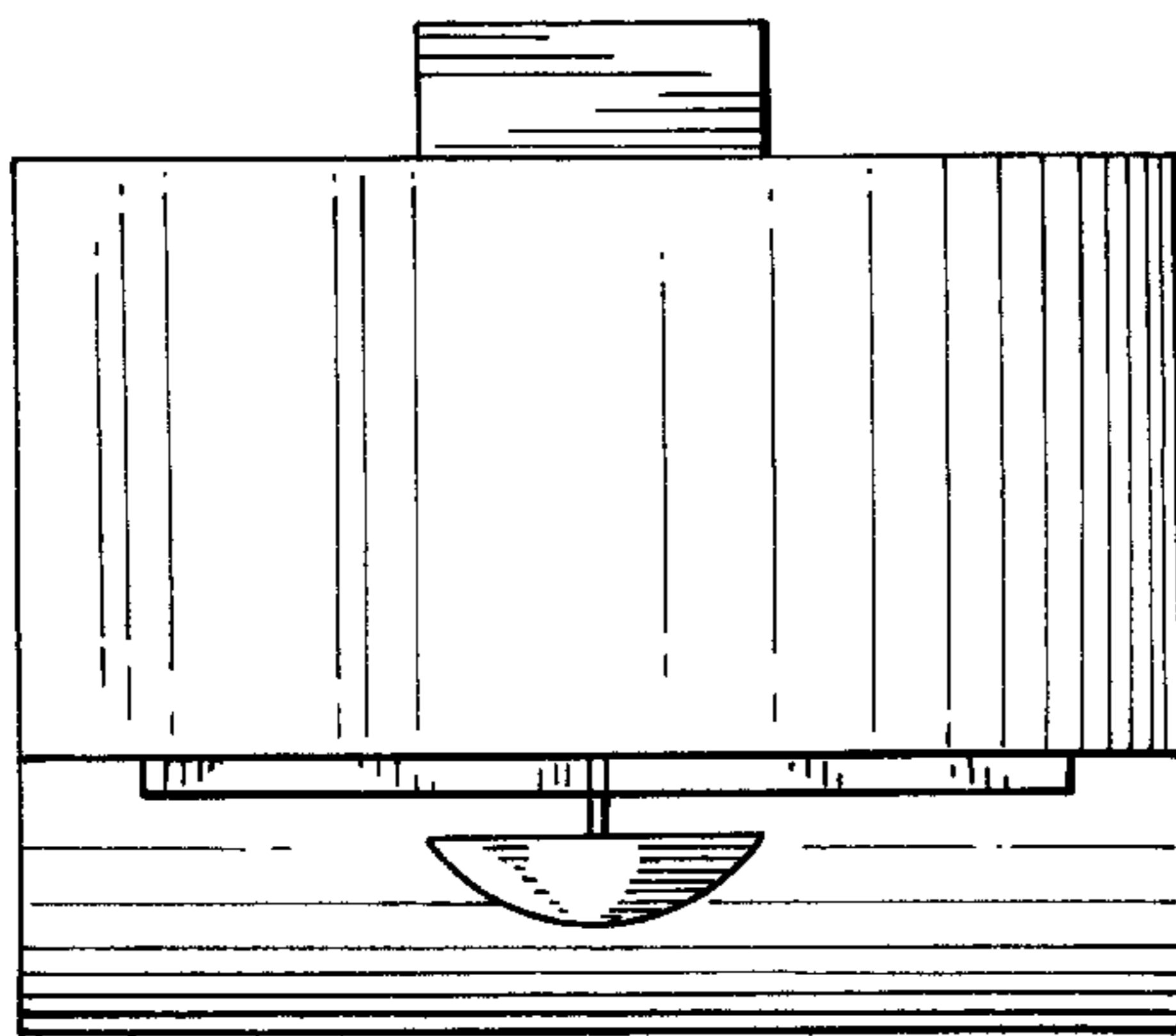
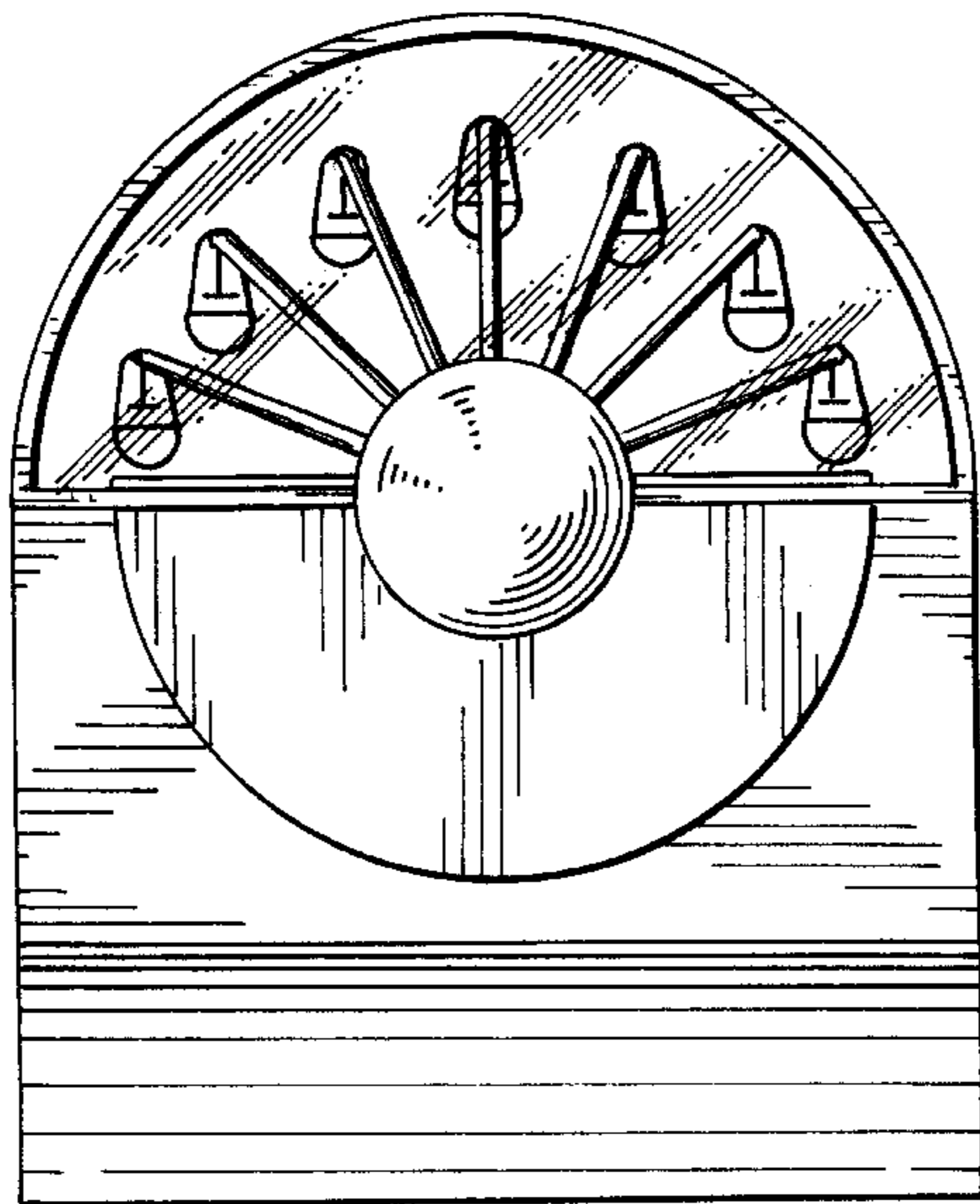
[57] **CLAIM**

The ornamental design for a cooking device, as shown and described.

DESCRIPTION

FIG. 1 is a front elevational view of a cooking device showing my new design;
FIG. 2 is a top plan view thereof,
FIG. 3 is a rear elevational view thereof,
FIG. 4 is a side elevational view thereof, the opposite side being a mirror image thereof; and,
FIG. 5 is a bottom plan view thereof.

1 Claim, 3 Drawing Sheets



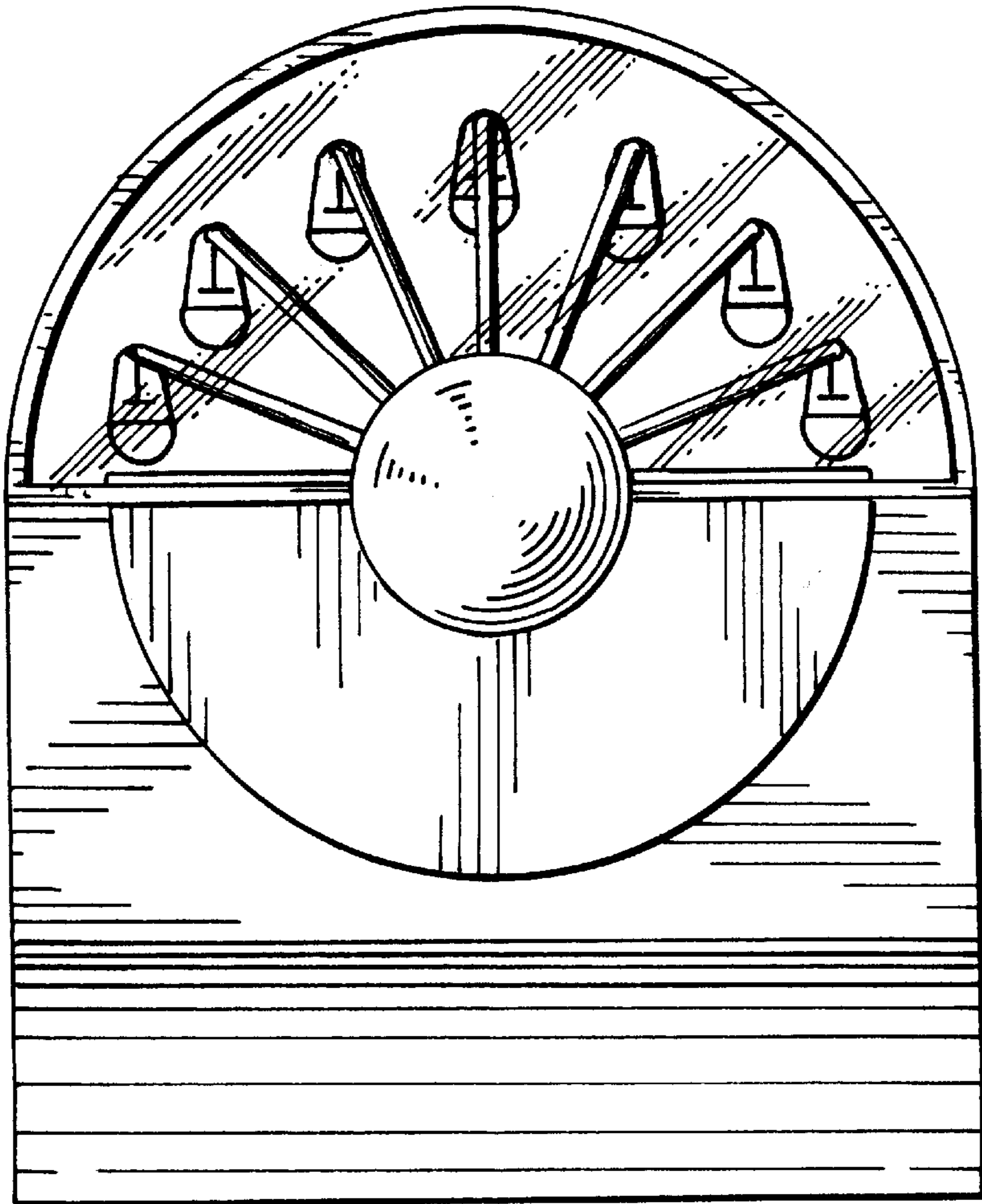


Fig. 1

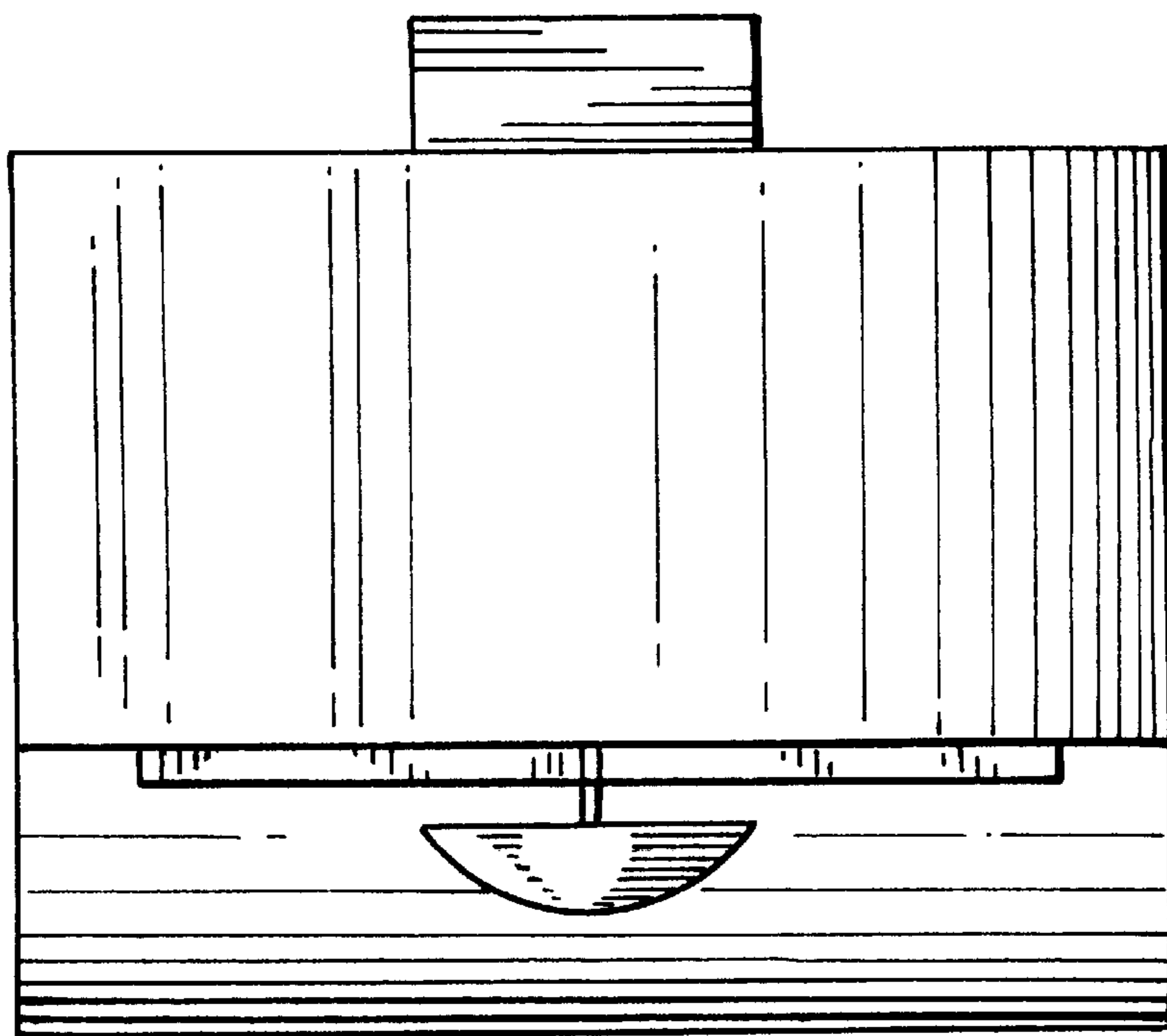


Fig. 2

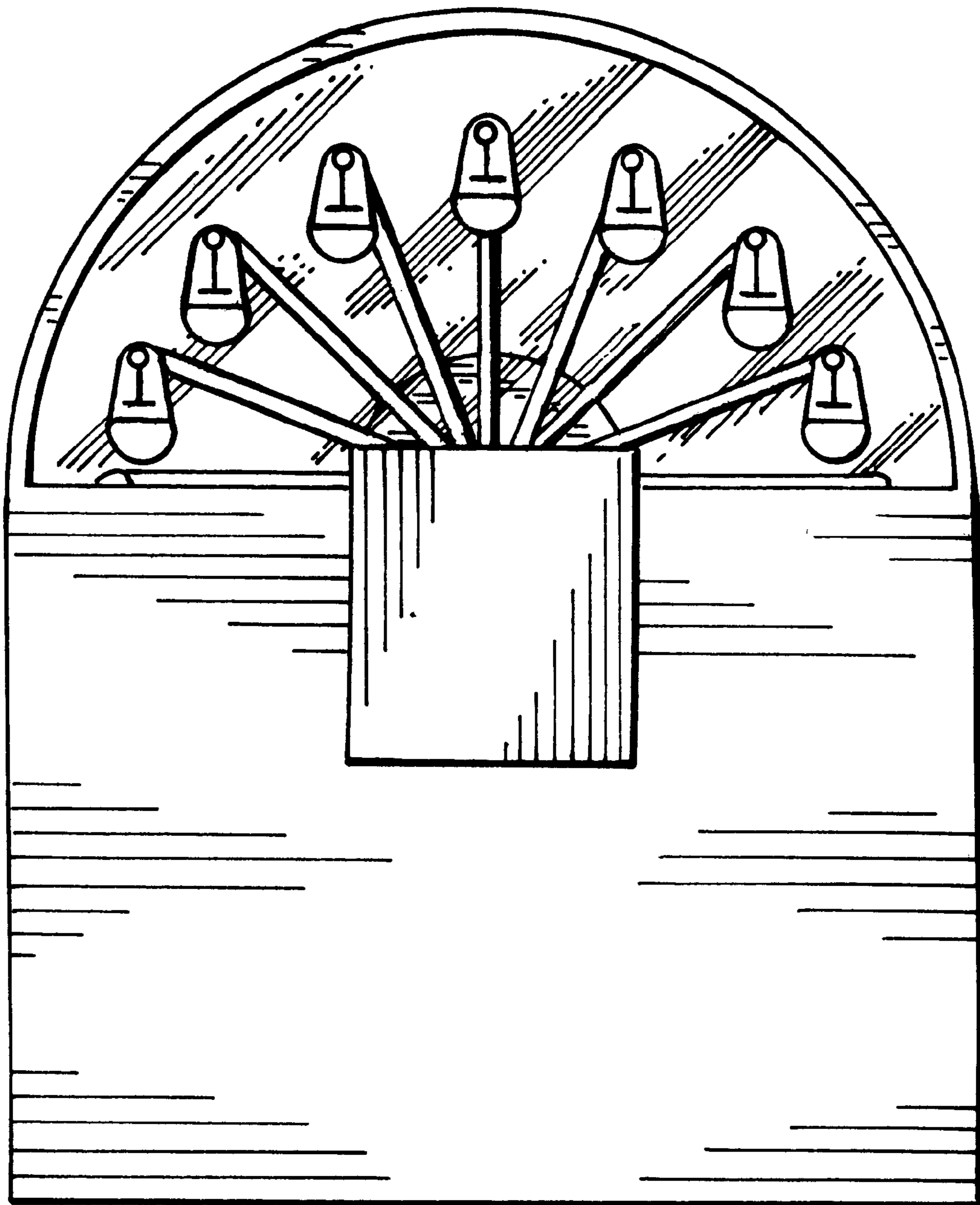


Fig. 3

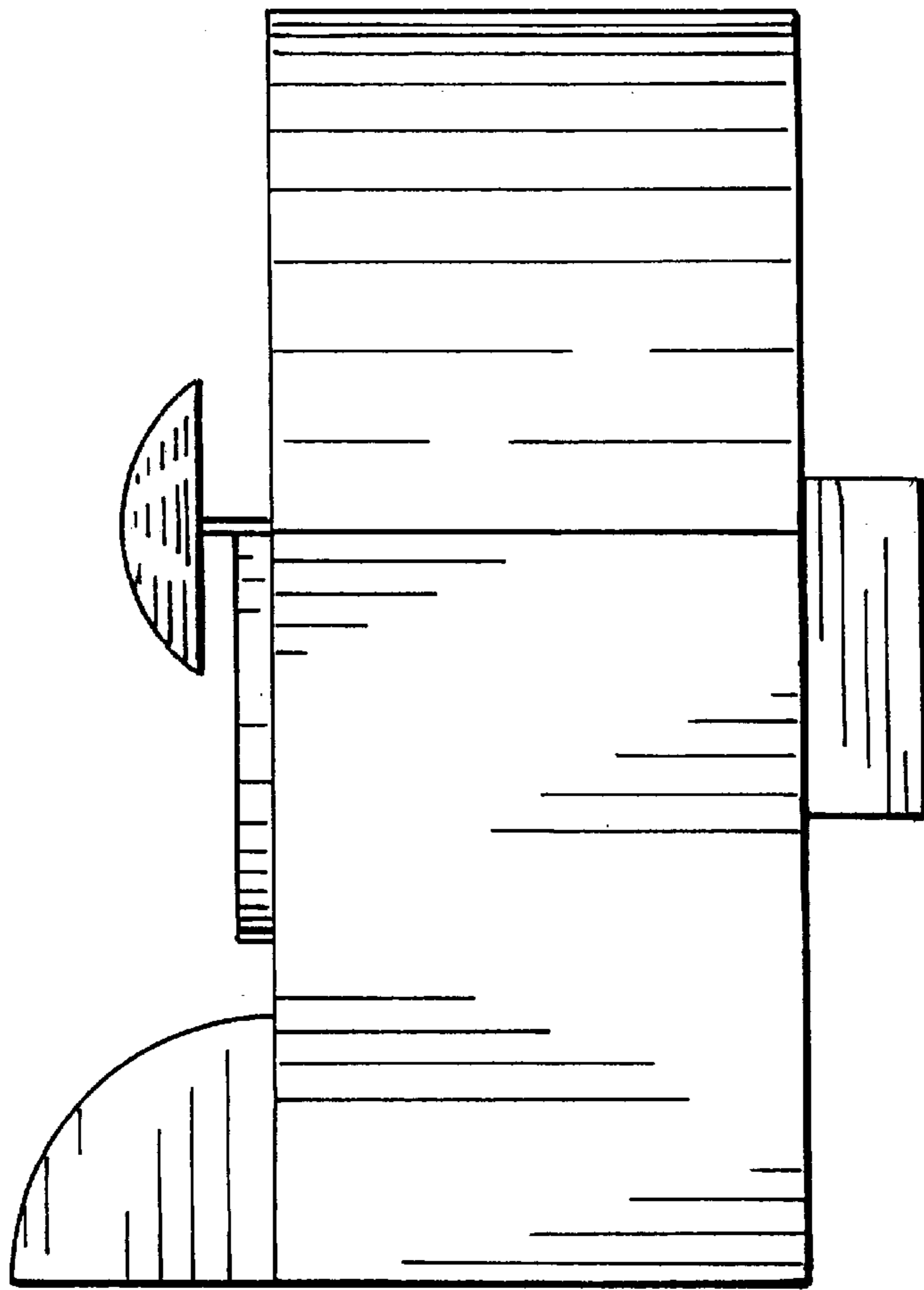


Fig. 4

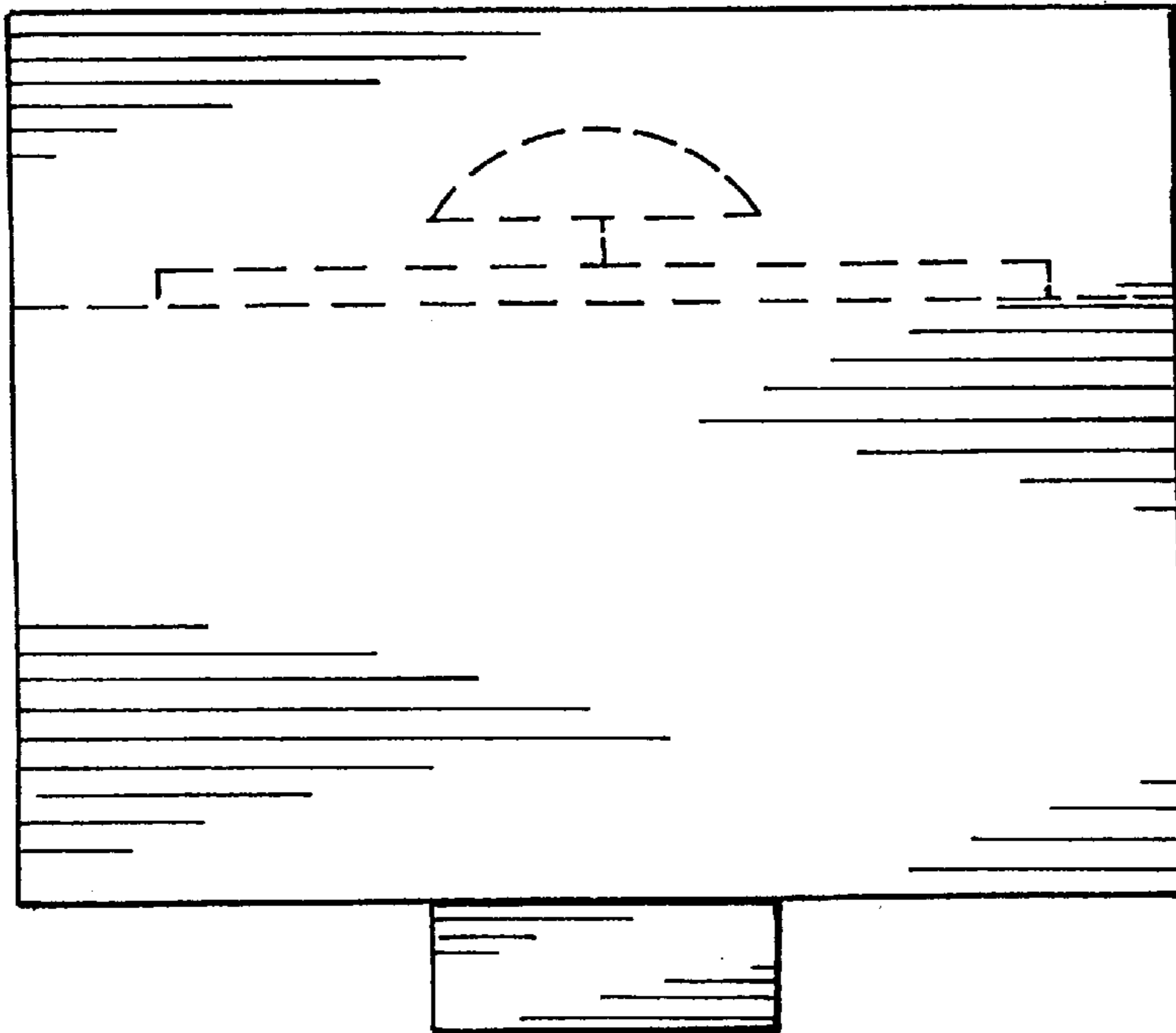


Fig. 5