



US00D418004S

United States Patent [19]

Taylor, Jr.

[11] Patent Number: Des. 418,004

[45] Date of Patent: ** Dec. 28, 1999

[54] BARBEQUE GRILL WITH BASKETBALL APPEARANCE

[76] Inventor: Lonzo Franklin Taylor, Jr., 1285 Morgan St., Henderson, Tenn. 38340

[**] Term: 14 Years

[21] Appl. No.: 29/089,373

[22] Filed: Jun. 15, 1998

[51] LOC (6) Cl. 07-02

[52] U.S. Cl. D7/332

[58] Field of Search D7/332-337, 402, D7/403, 404, 406, 409; 126/2, 4, 9 R, 25 R, 25 A, 25 AA, 29, 38, 39 R, 40, 41 R, 58-59; 99/481-482, 419, 421 R; D21/713; 273/317.3, 317.5, 317.6

[56] References Cited

U.S. PATENT DOCUMENTS

D. 234,213 1/1975 Anderson D21/713

D. 314,882	2/1991	Bethel, Jr.	D7/334
D. 324,622	3/1992	Baynes et al.	D7/334
D. 332,909	2/1993	Parent et al.	D7/334
D. 373,282	9/1996	Cordero	D7/334
D. 385,146	10/1997	Fielding et al.	D7/332
D. 396,599	8/1998	Smith, Jr.	D7/332

Primary Examiner—Ruth McInroy
Attorney, Agent, or Firm—John J. Mulrooney

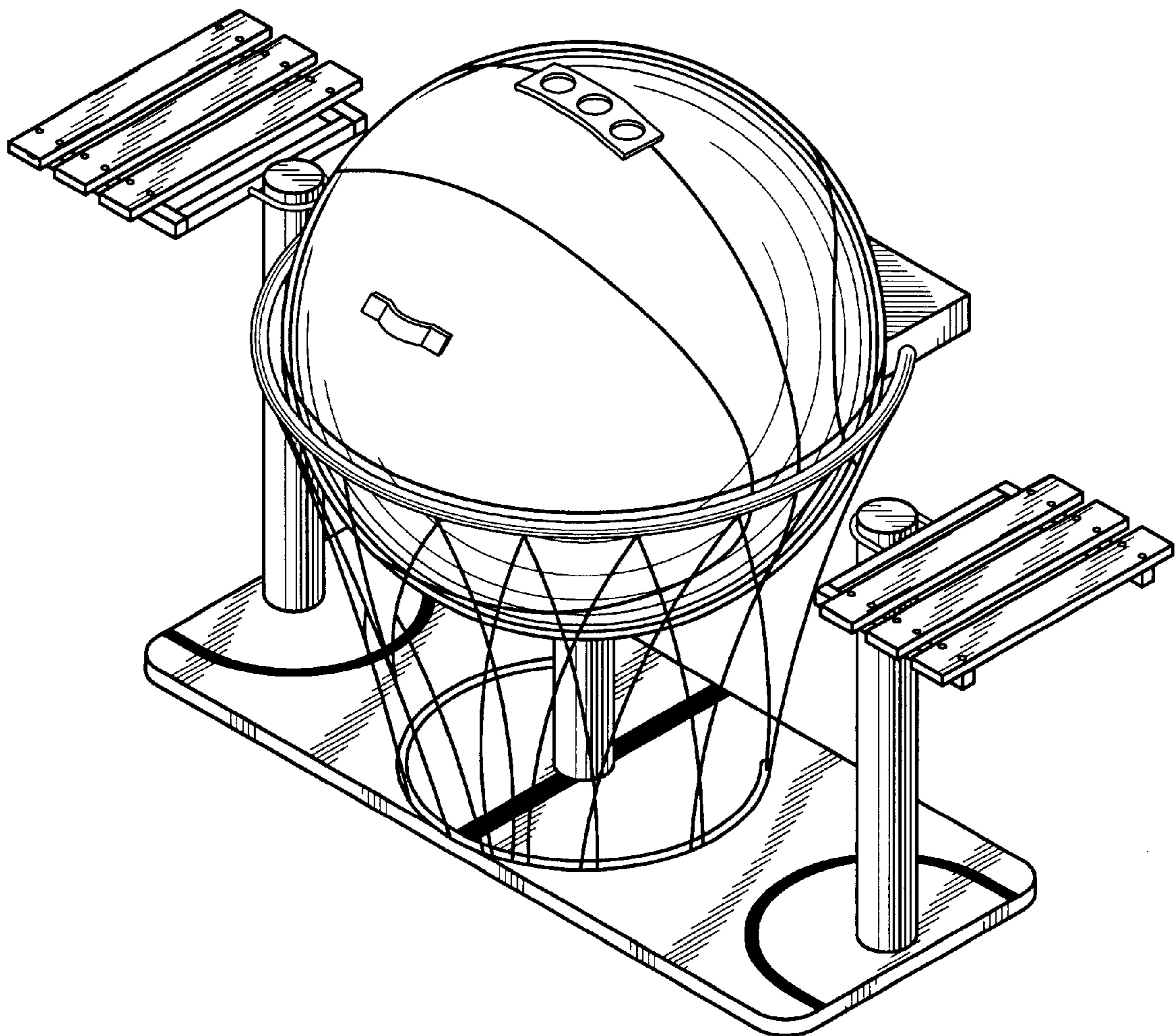
[57] CLAIM

The ornamental design for a barbecue grill with basketball appearance, as shown.

DESCRIPTION

FIG. 1 is a perspective view of a barbecue grill with basketball appearance showing my new design; FIG. 2 is a front elevation view thereof; FIG. 3 is a right side elevation view thereof; FIG. 4 is a rear elevation view thereof; FIG. 5 is a left side elevation view thereof; and, FIG. 6 is a top plan view thereof.

1 Claim, 3 Drawing Sheets



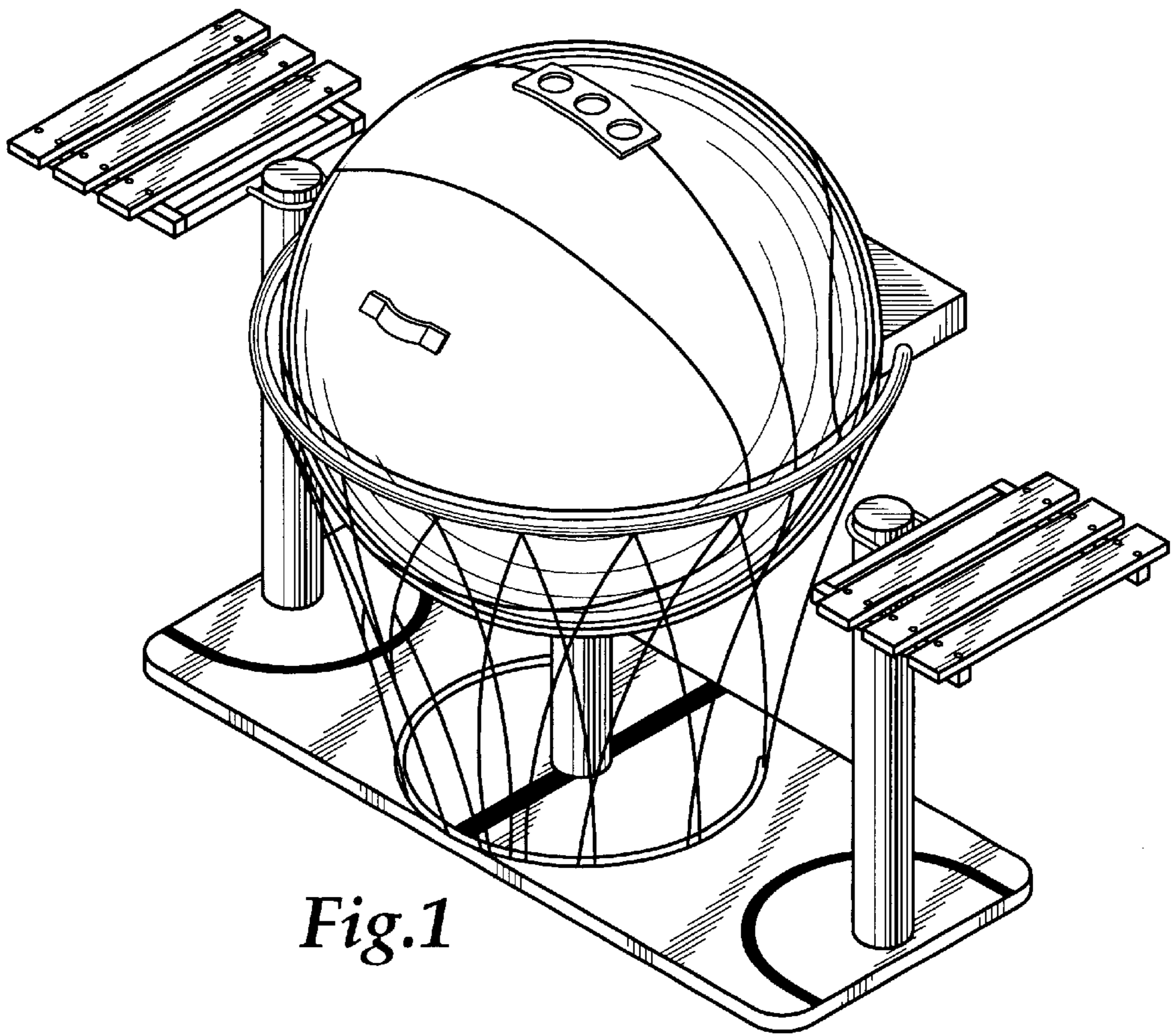


Fig.1

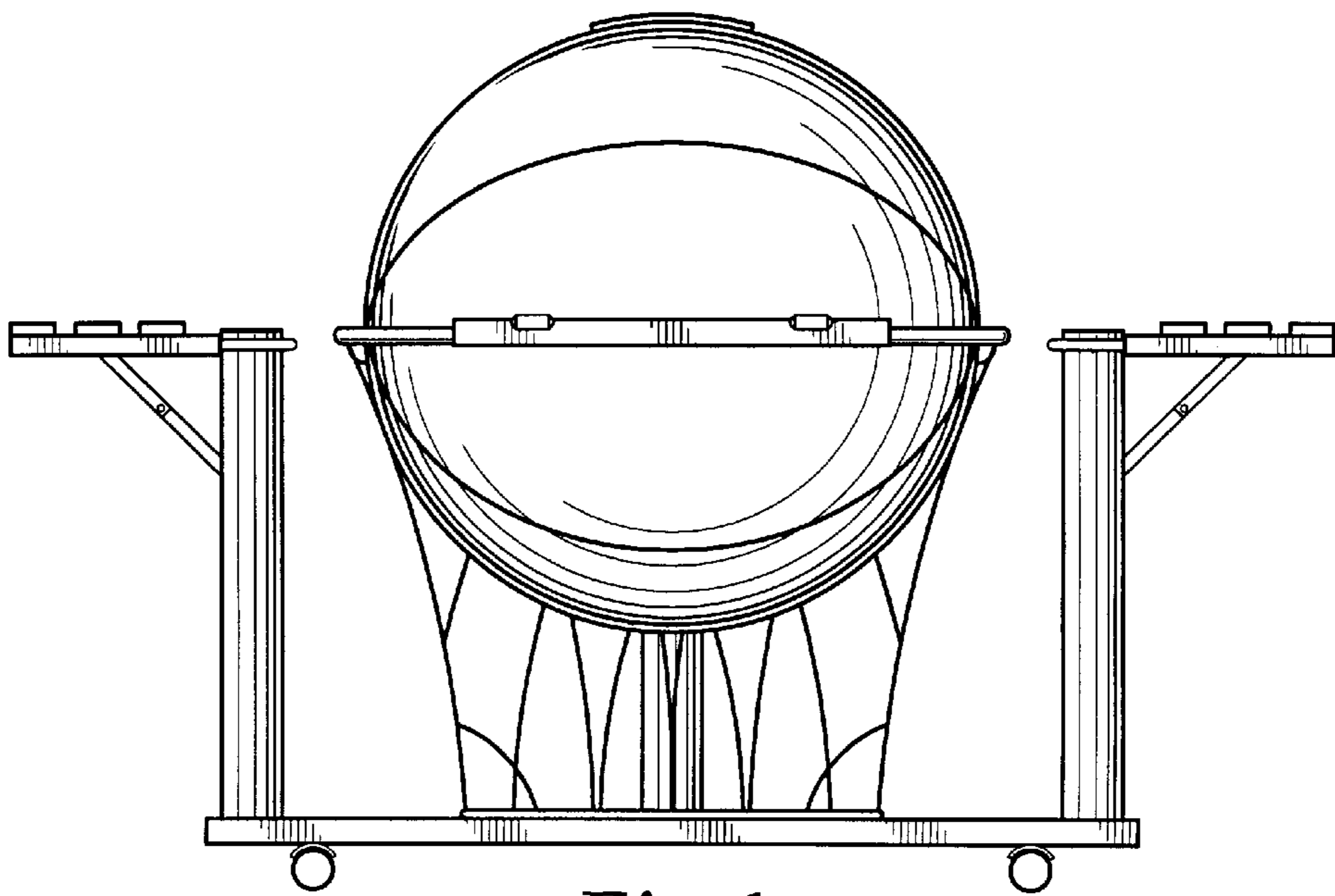


Fig.4

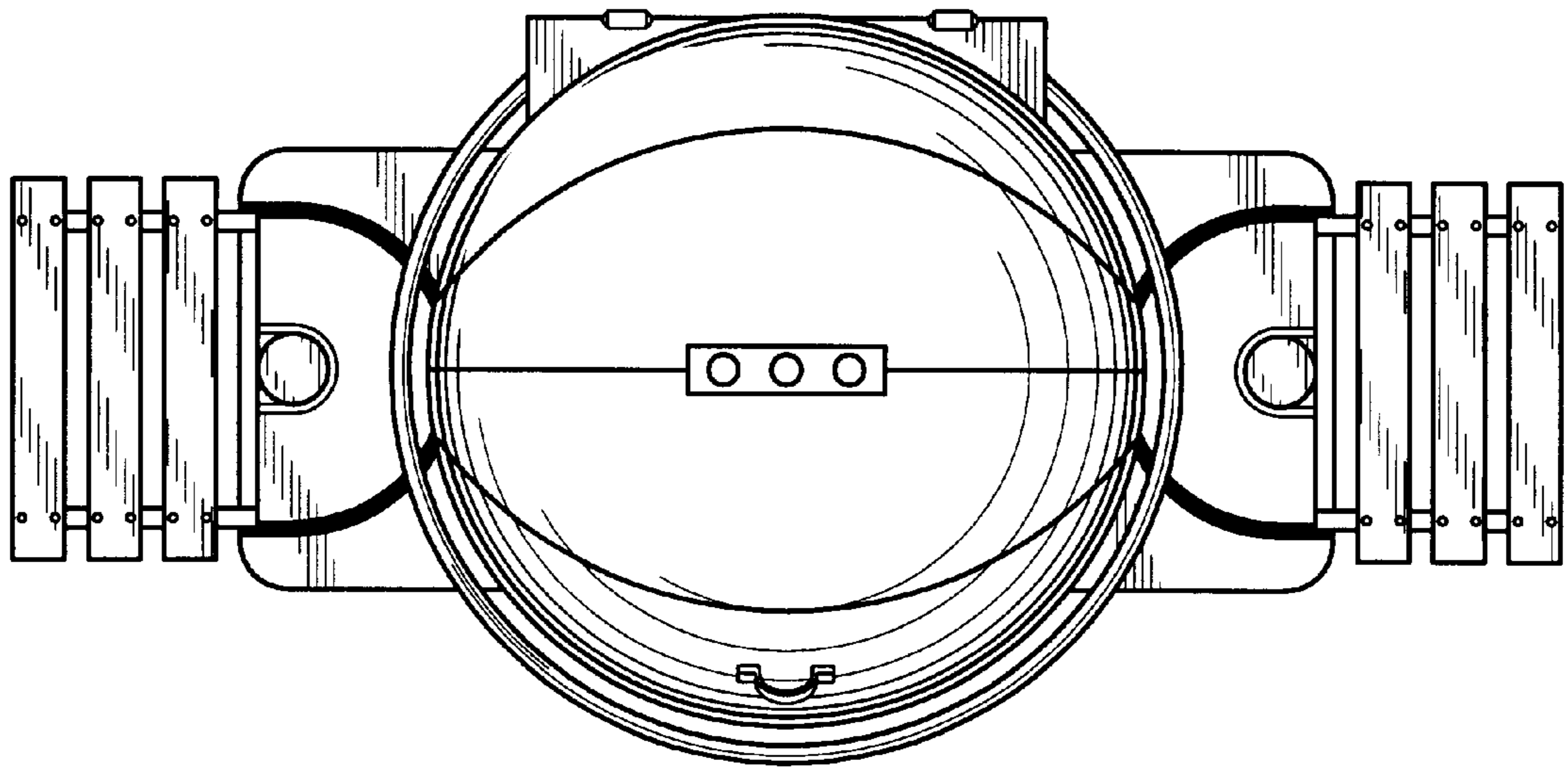


Fig.6

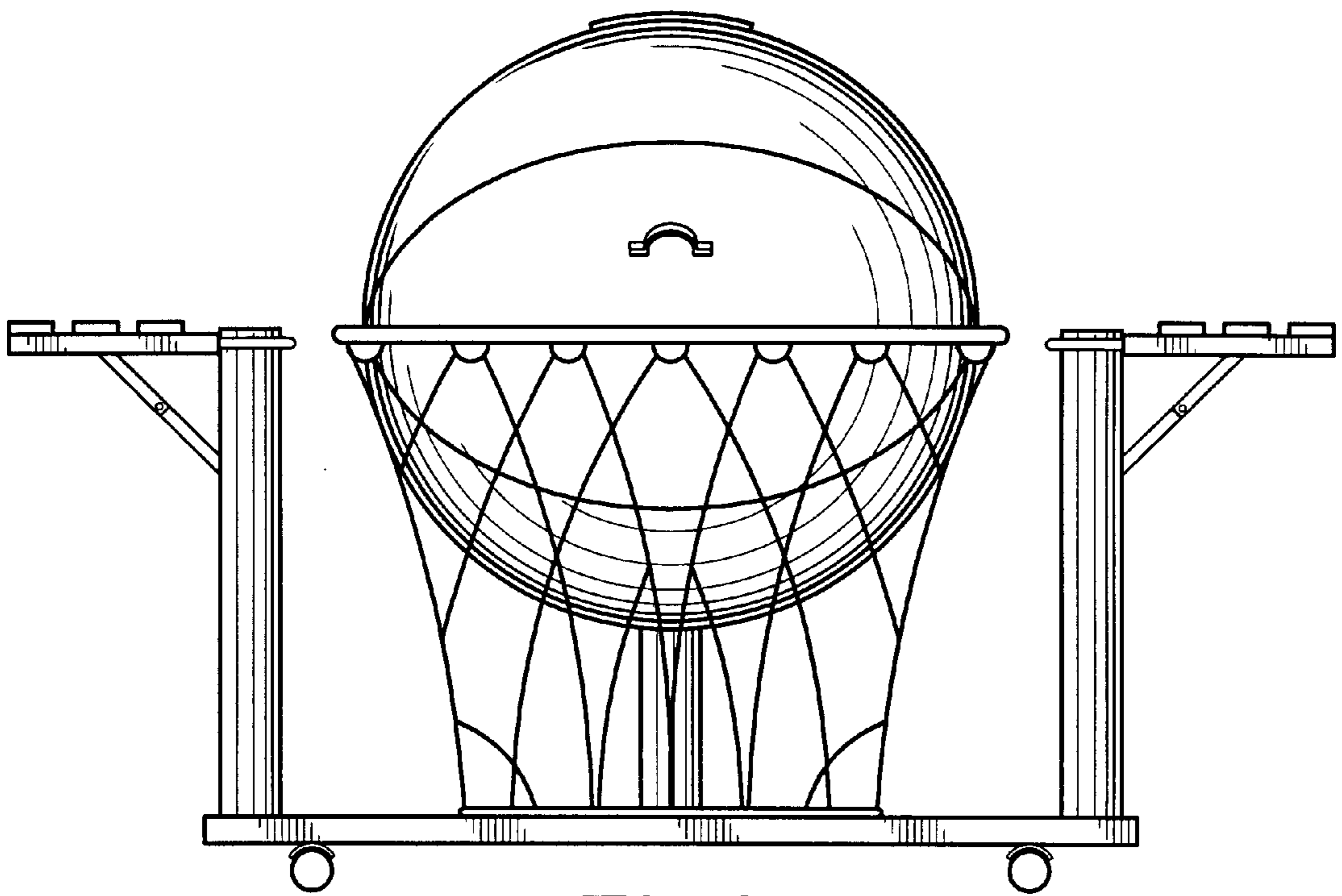


Fig.2

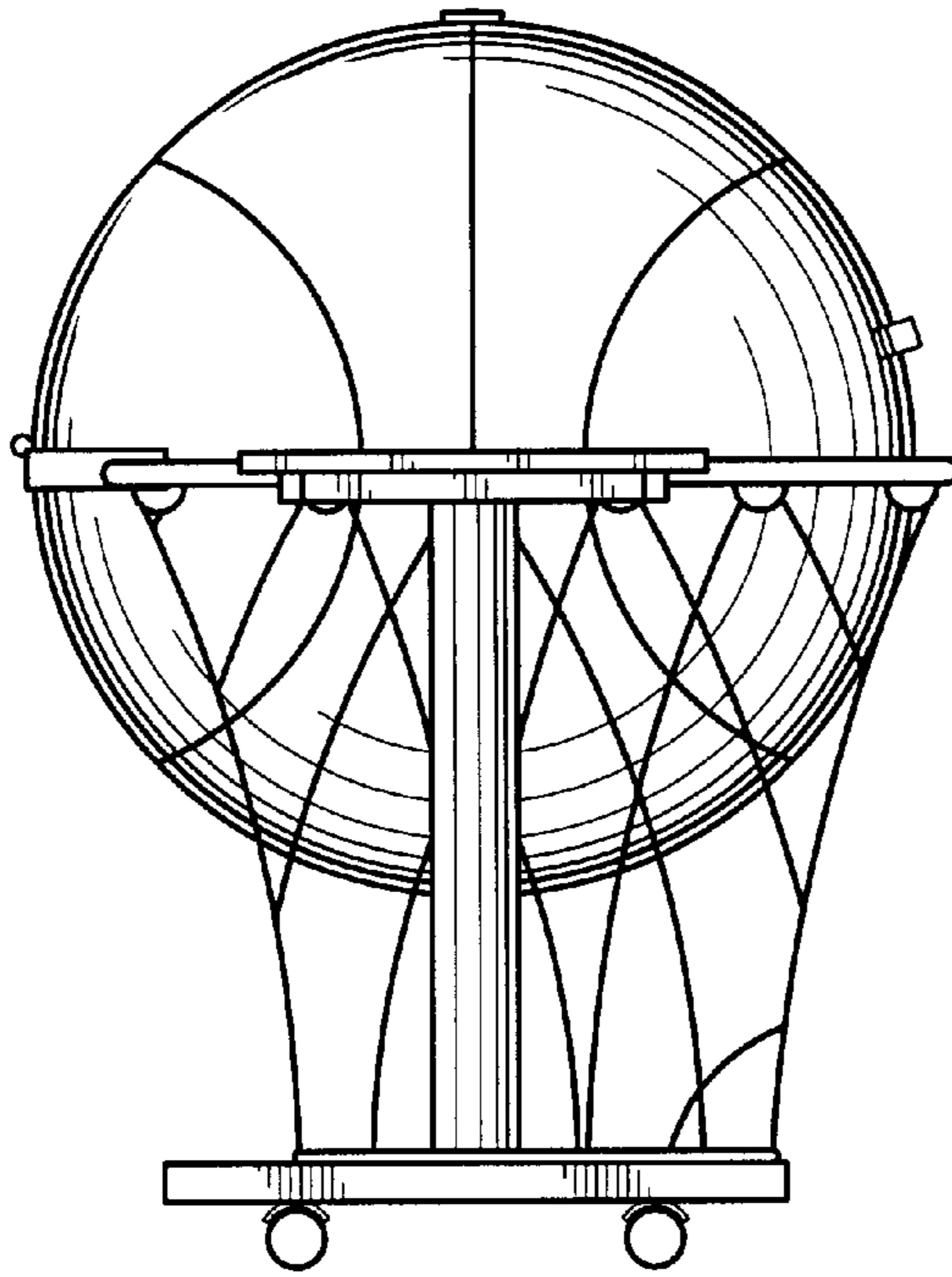


Fig.5

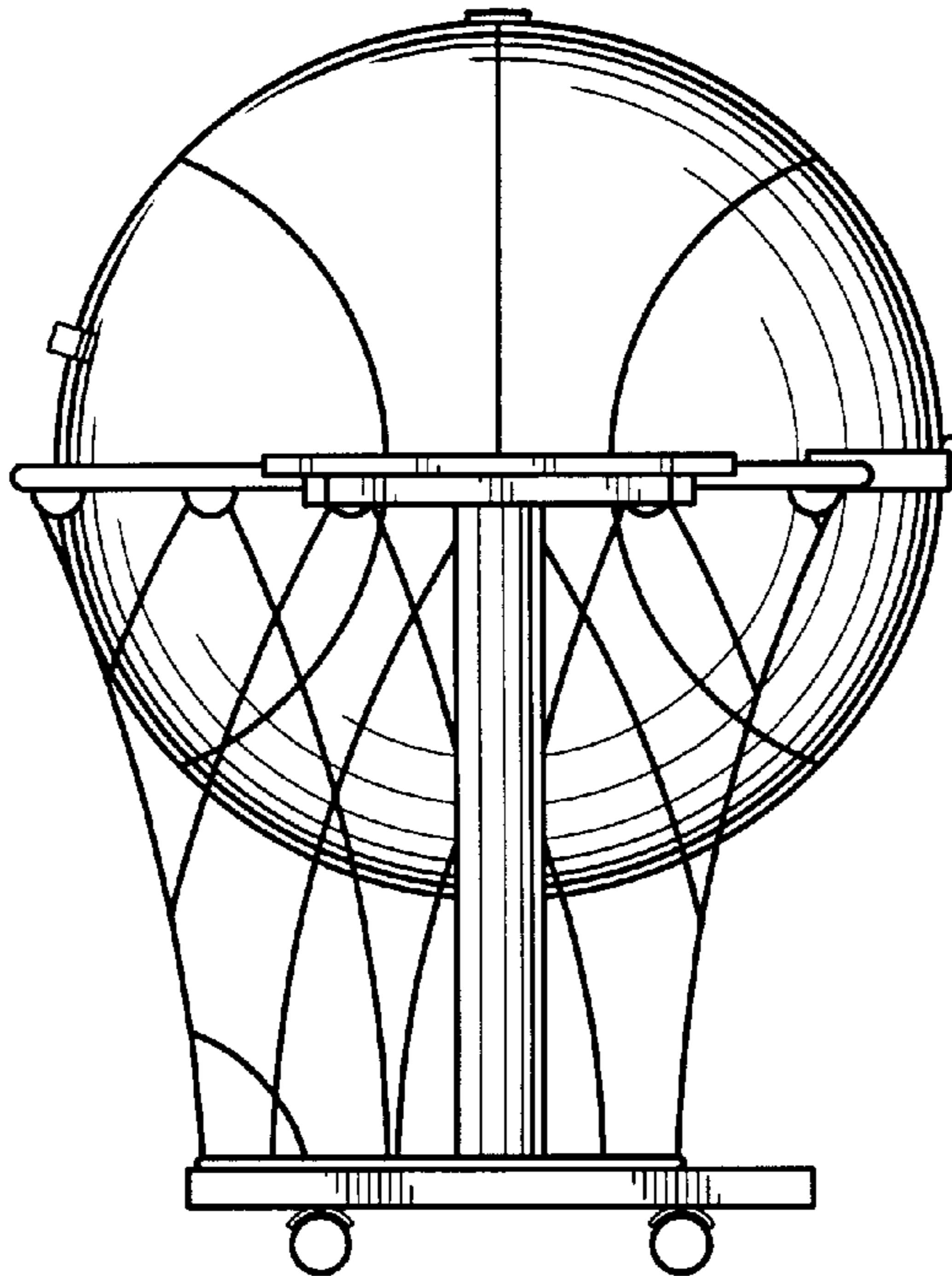


Fig.3