



US00D418003S

United States Patent [19]

Alonge et al.

[11] Patent Number: **Des. 418,003**

[45] Date of Patent: **** Dec. 28, 1999**

[54] **FOUR-SLICE TOASTER**

[75] Inventors: **Barbara Alonge**, North Merrick, N.Y.;
David Sabin, Lake Forest, Ill.

[73] Assignee: **Salton, Inc.**, Mt. Prospect, Ill.

[**] Term: **14 Years**

[21] Appl. No.: **29/093,343**

[22] Filed: **Sep. 9, 1998**

[51] **LOC (6) Cl.** **07-02**

[52] **U.S. Cl.** **D7/330**

[58] **Field of Search** D7/328-330, 390;
99/327, 329 RT, 385, 389

D. 345,074 3/1994 Myers et al. D7/330
D. 367,990 3/1996 Roze D7/330
D. 375,017 10/1996 Barrault D7/330

Primary Examiner—Caron D. Veynar

[57] CLAIM

The ornamental design for a four-slice toaster, as shown and described.

DESCRIPTION

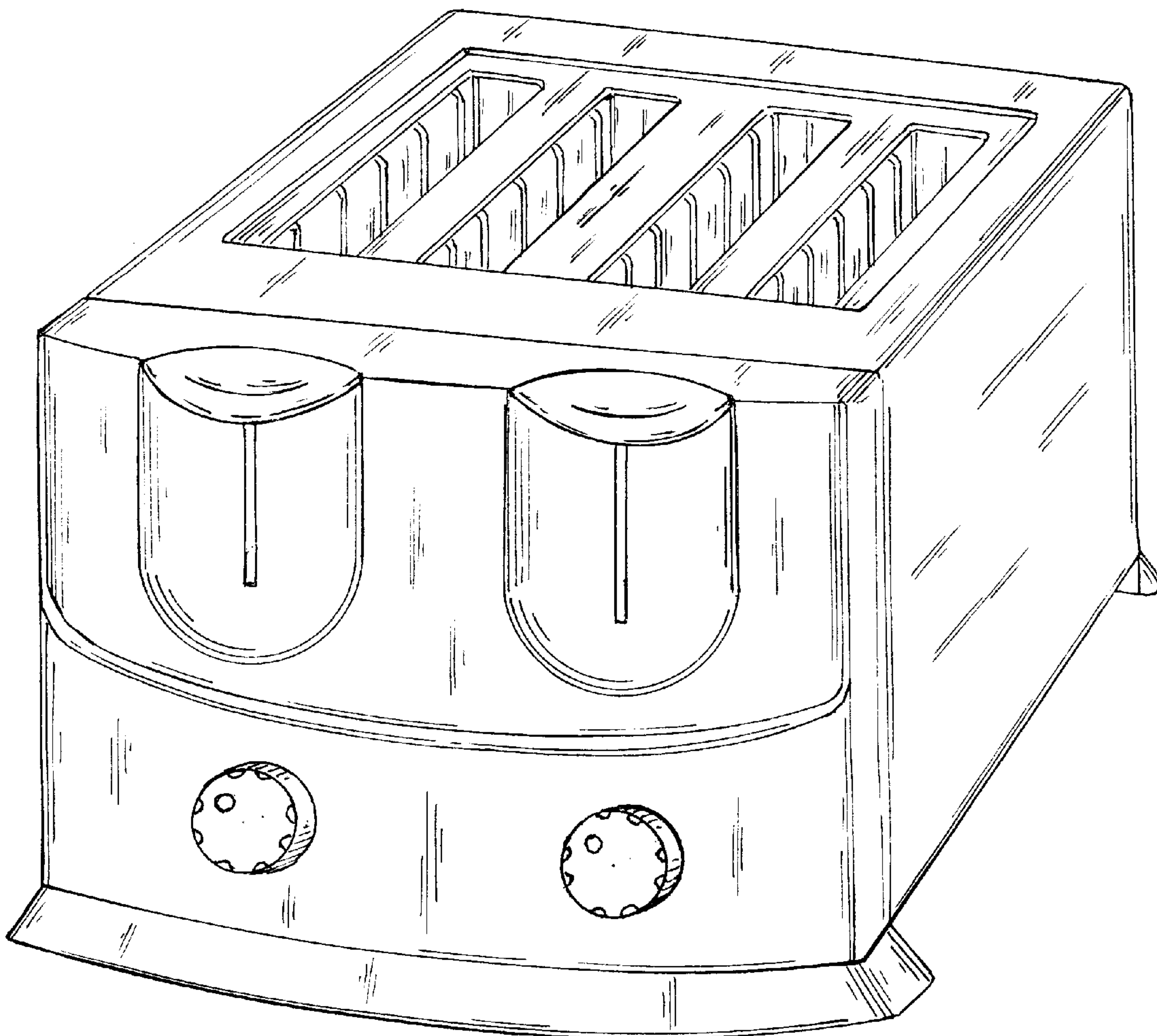
FIG. 1 is a front elevational view of the present invention; FIG. 2 is a right lateral elevational view thereof; FIG. 3 is a left lateral elevational view thereof; FIG. 4 is a top plan view thereof; FIG. 5 is a bottom plan view thereof; FIG. 6 is a rear elevational view thereof; and, FIG. 7 is a perspective view thereof.

[56] References Cited

U.S. PATENT DOCUMENTS

D. 338,131 8/1993 Stutzer D7/330

1 Claim, 4 Drawing Sheets



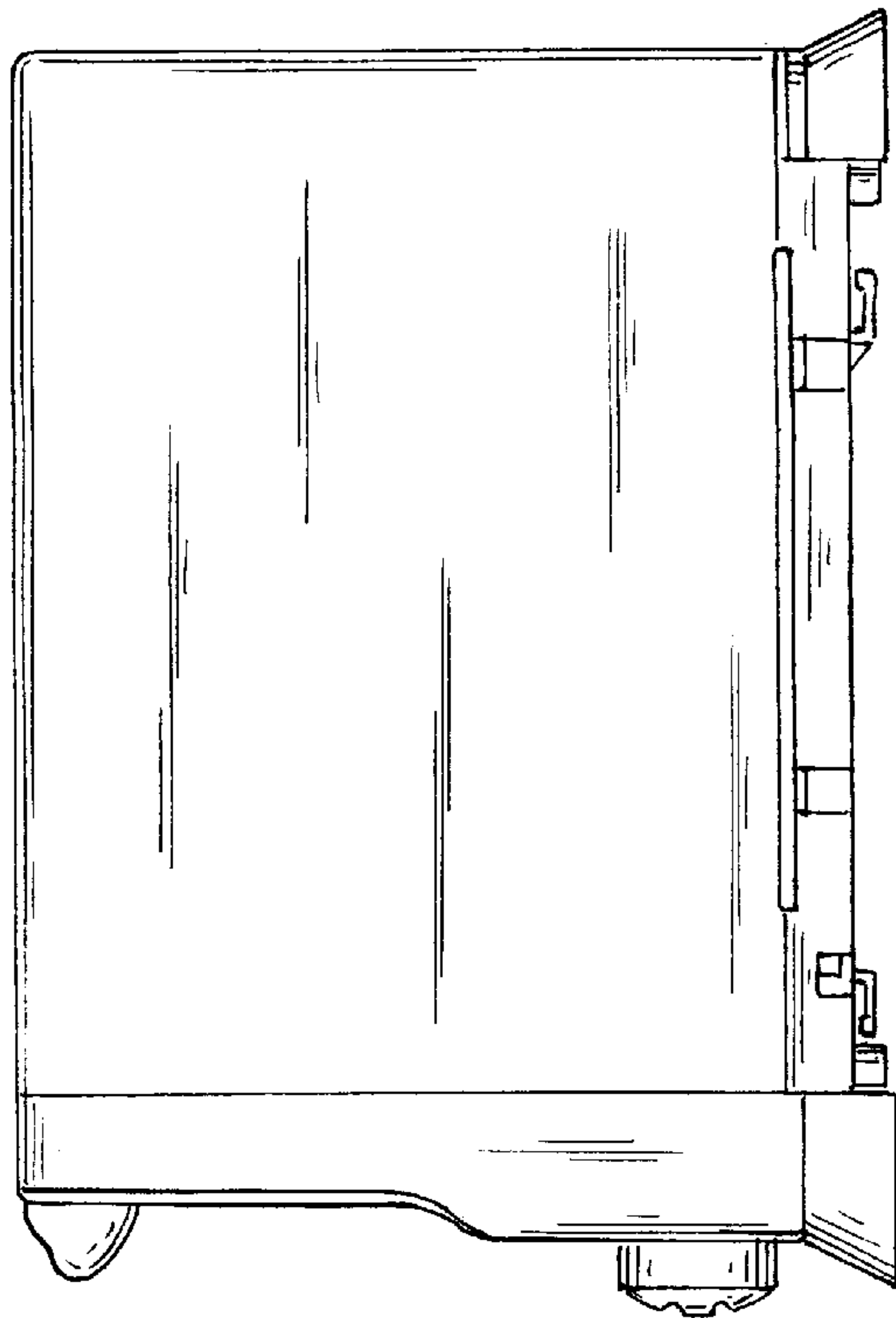


FIG. 2

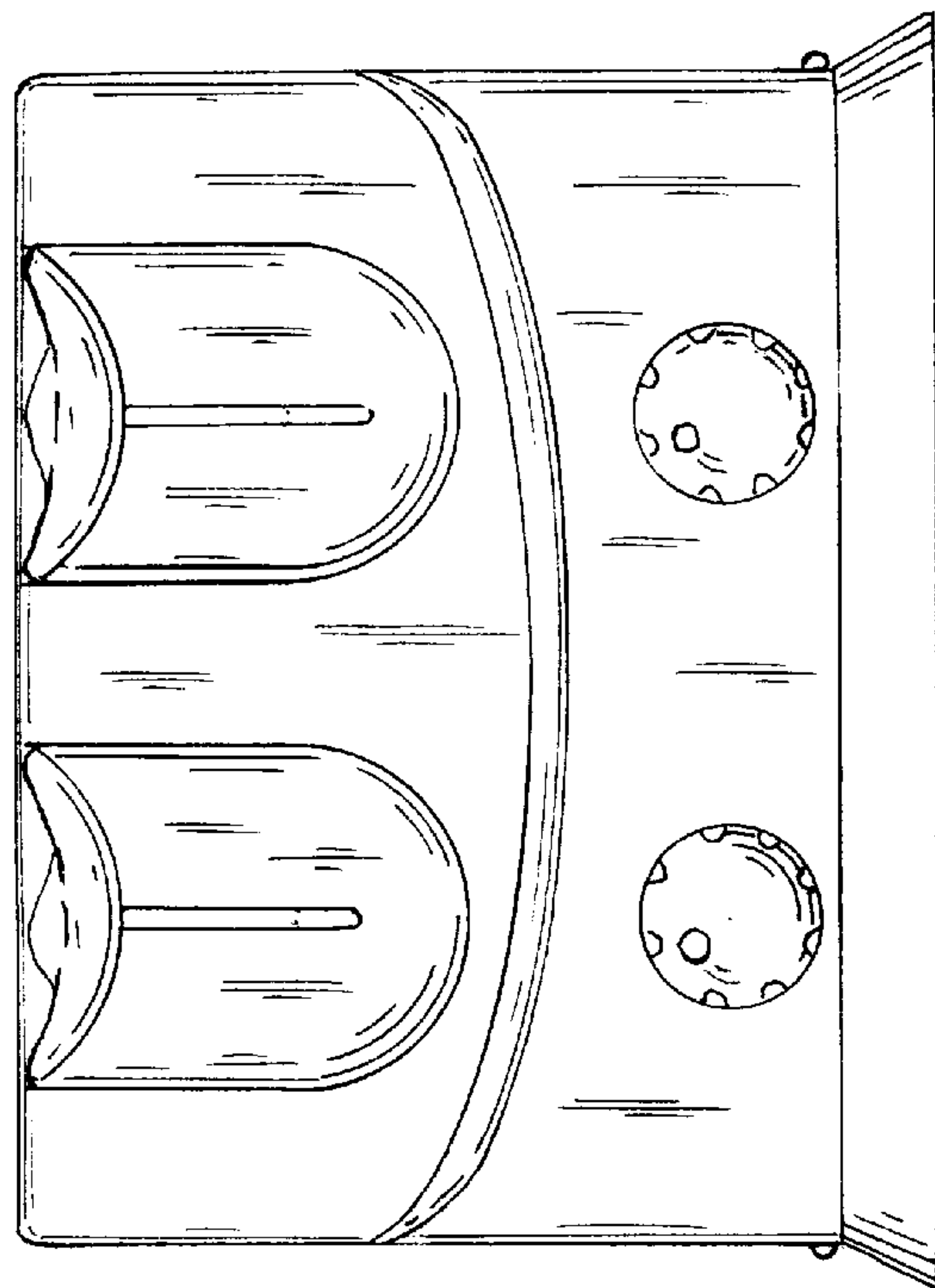


FIG. 1

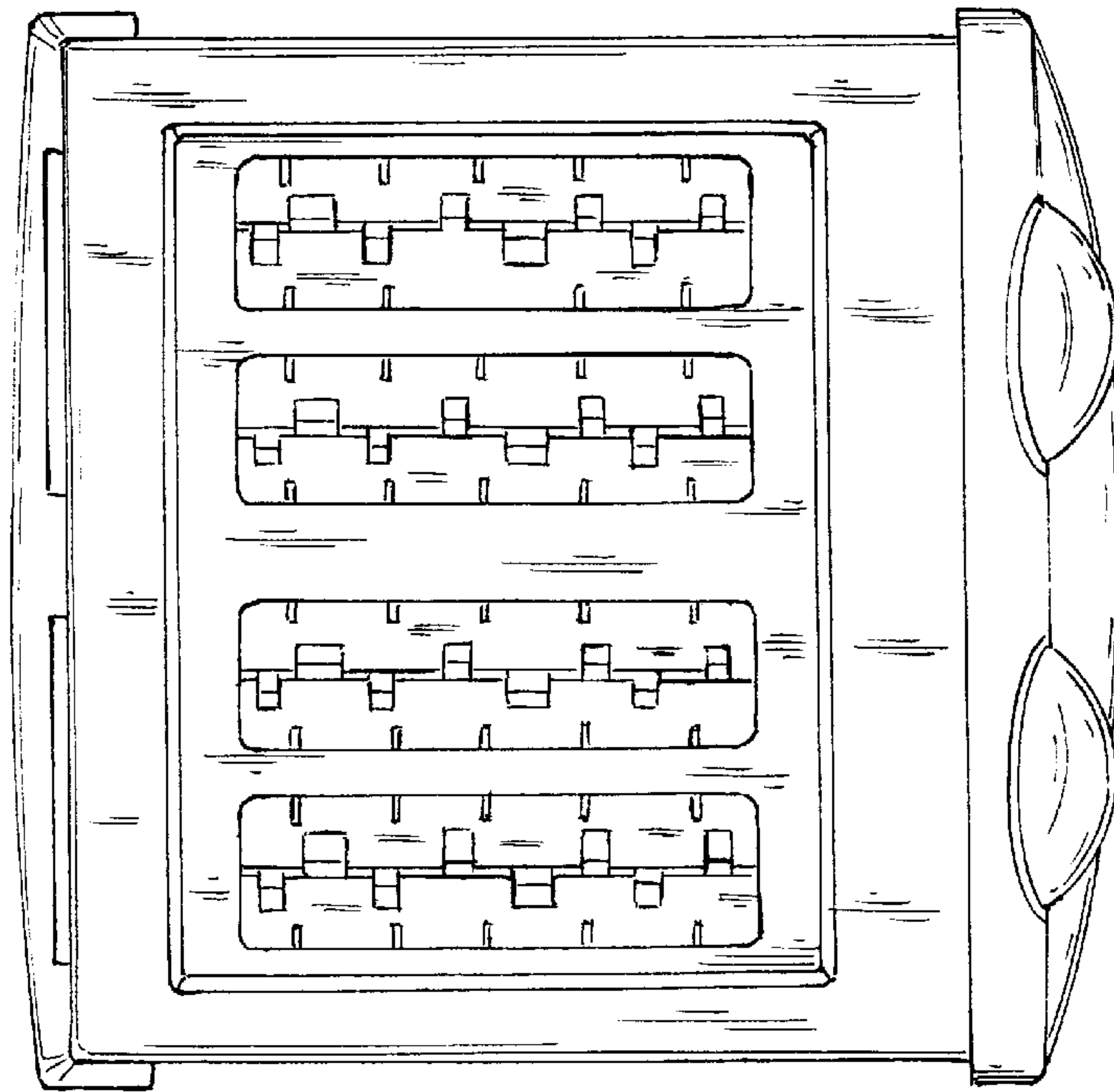


FIG. 4

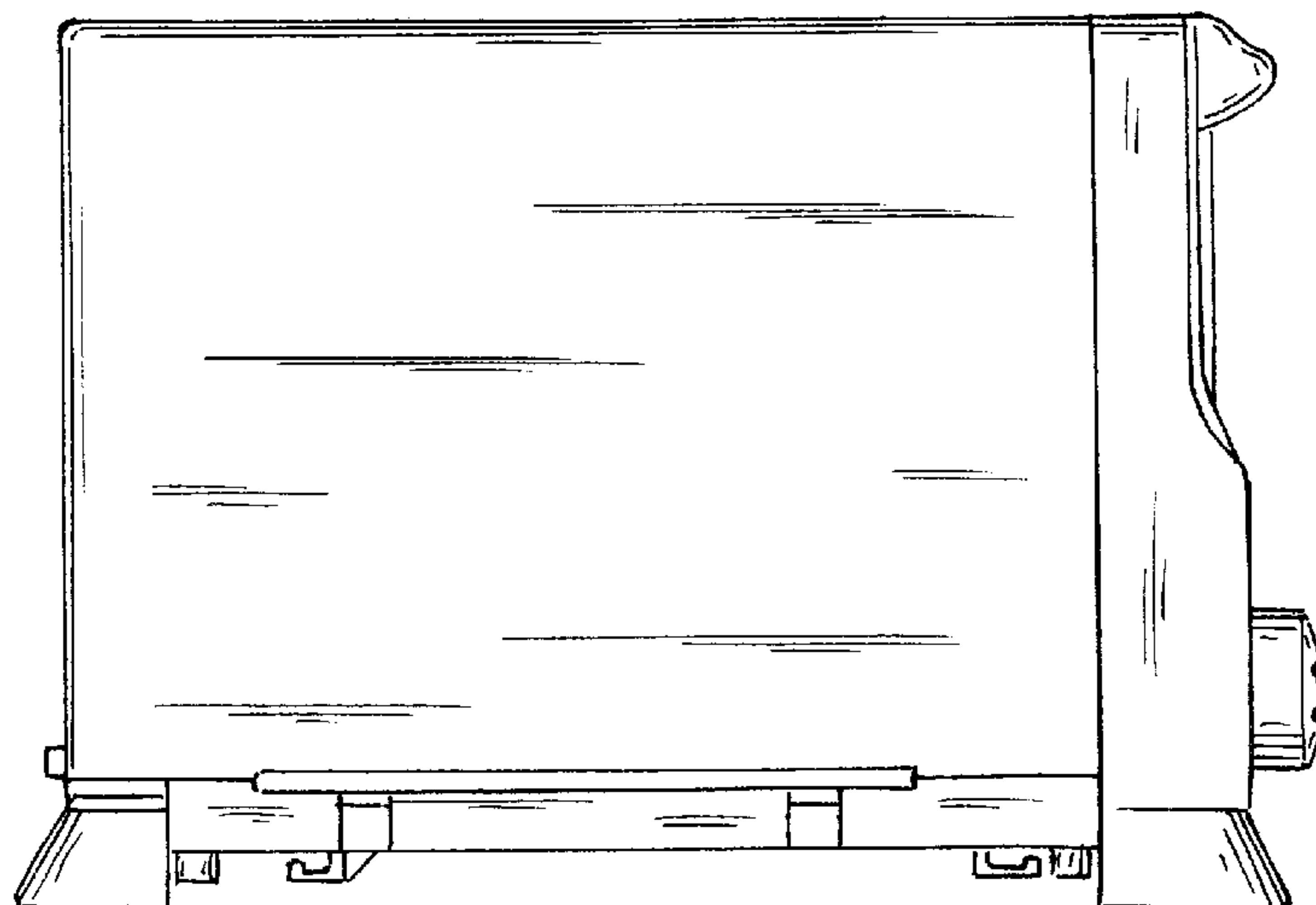


FIG. 3

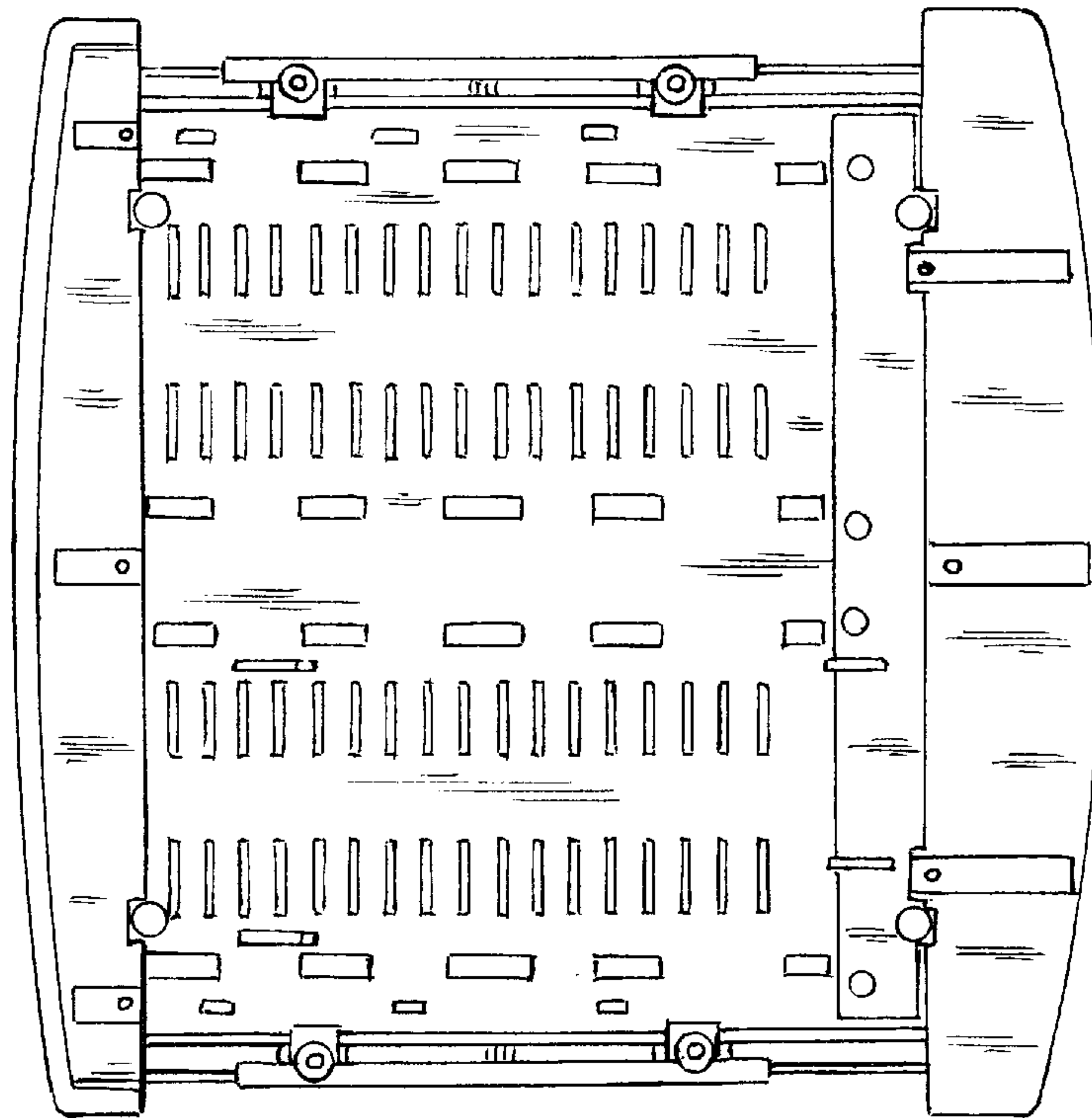


FIG. 5

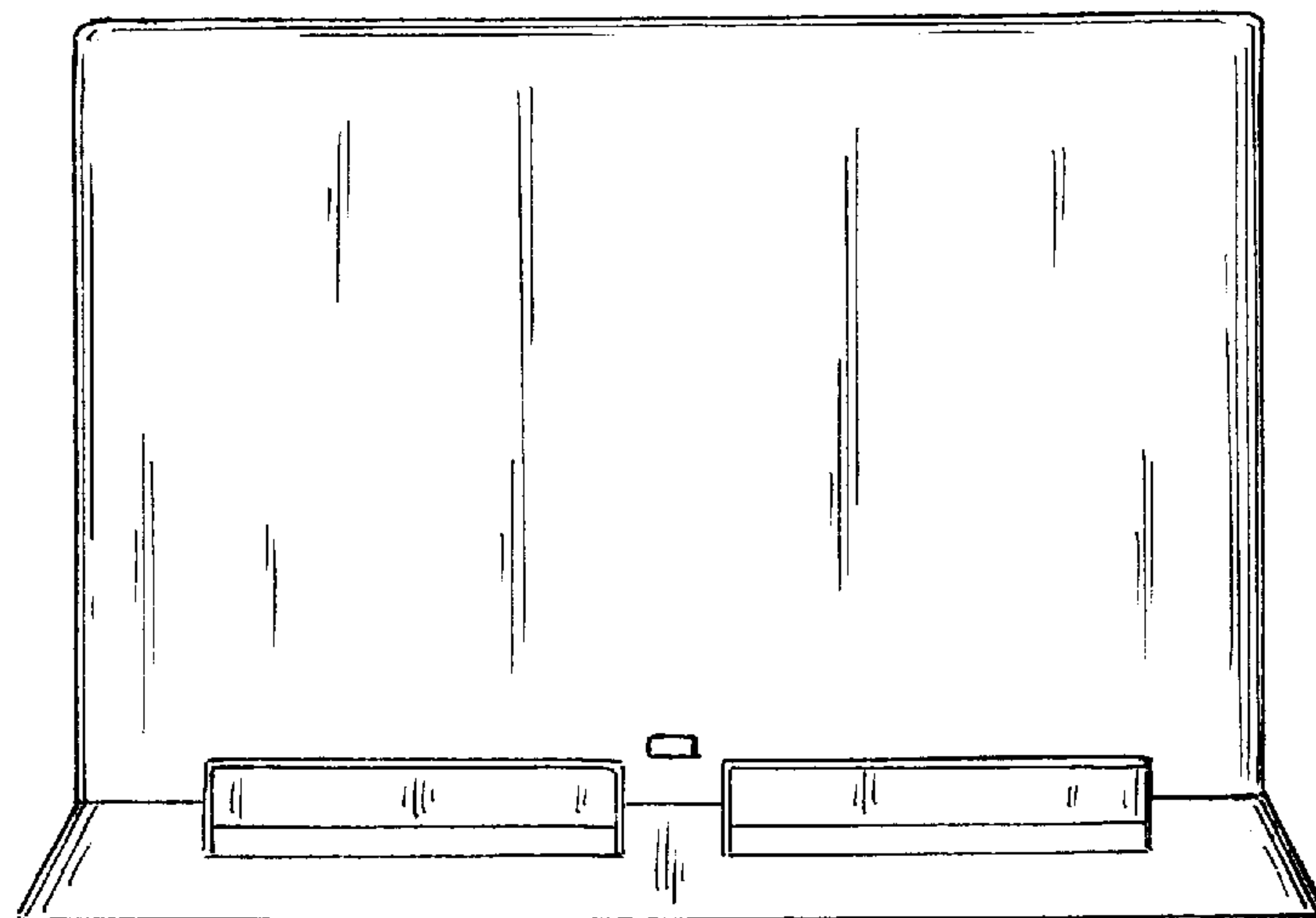


FIG. 6

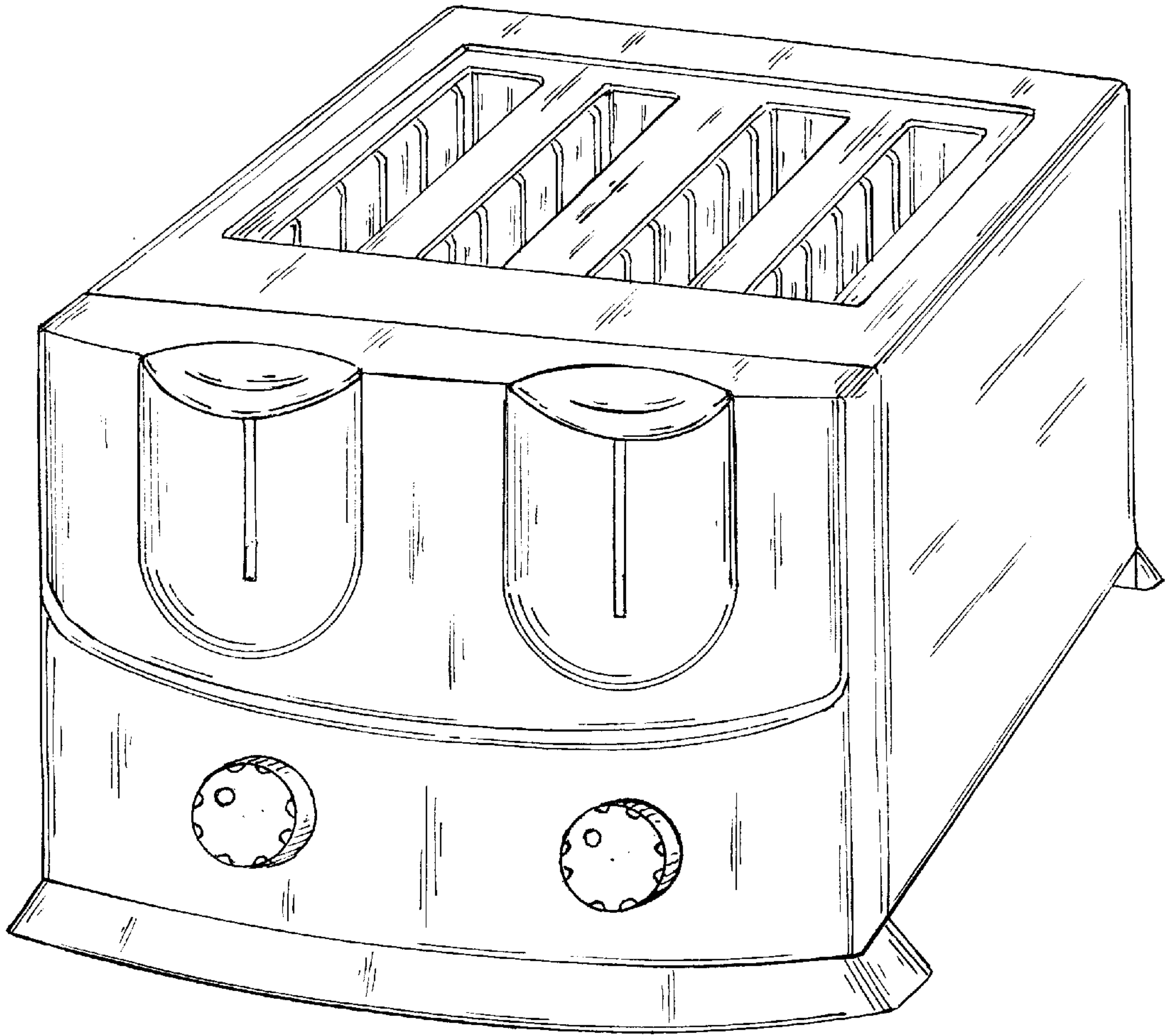


FIG. 7