



US00D418002S

United States Patent [19] Carbone

[11] **Patent Number: Des. 418,002**

[45] **Date of Patent: ** Dec. 28, 1999**

[54] **TOASTER**

[75] Inventor: **Richard J Carbone**, Sterling, Mass.

[73] Assignee: **HP Intellectual Corp.**, Wilmington, Del.

[**] Term: **14 Years**

[21] Appl. No.: **29/082,825**

[22] Filed: **Jan. 9, 1998**

[51] **LOC (6) Cl.** **07-02**

[52] **U.S. Cl.** **D7/330**

[58] **Field of Search** D7/328-330, 390;
99/329 RT, 385, 389

[56] **References Cited**

U.S. PATENT DOCUMENTS

- D. 151,113 9/1948 Yaeger D7/330
- D. 155,009 8/1949 Huck D7/330

- D. 338,131 8/1993 Stutzer D7/330
- D. 367,990 3/1996 Roze D7/330
- D. 375,017 10/1996 Barrault D7/330
- 3,091,171 5/1963 Cole 99/400

Primary Examiner—Caron D. Veynar
Attorney, Agent, or Firm—Barry E. Deutsch

[57] **CLAIM**

The ornamental design for a toaster, as shown and described.

DESCRIPTION

FIG. 1 is a perspective view taken from the front, top and left side, of a toaster, showing my new design;
FIG. 2 is a top plan view thereof;
FIG. 3 is a front elevational view thereof;
FIG. 4 is a left side elevational view thereof;
FIG. 5 is a right side elevational view thereof;
FIG. 6 is a bottom plan view thereof; and,
FIG. 7 is a rear elevational view thereof.

1 Claim, 4 Drawing Sheets

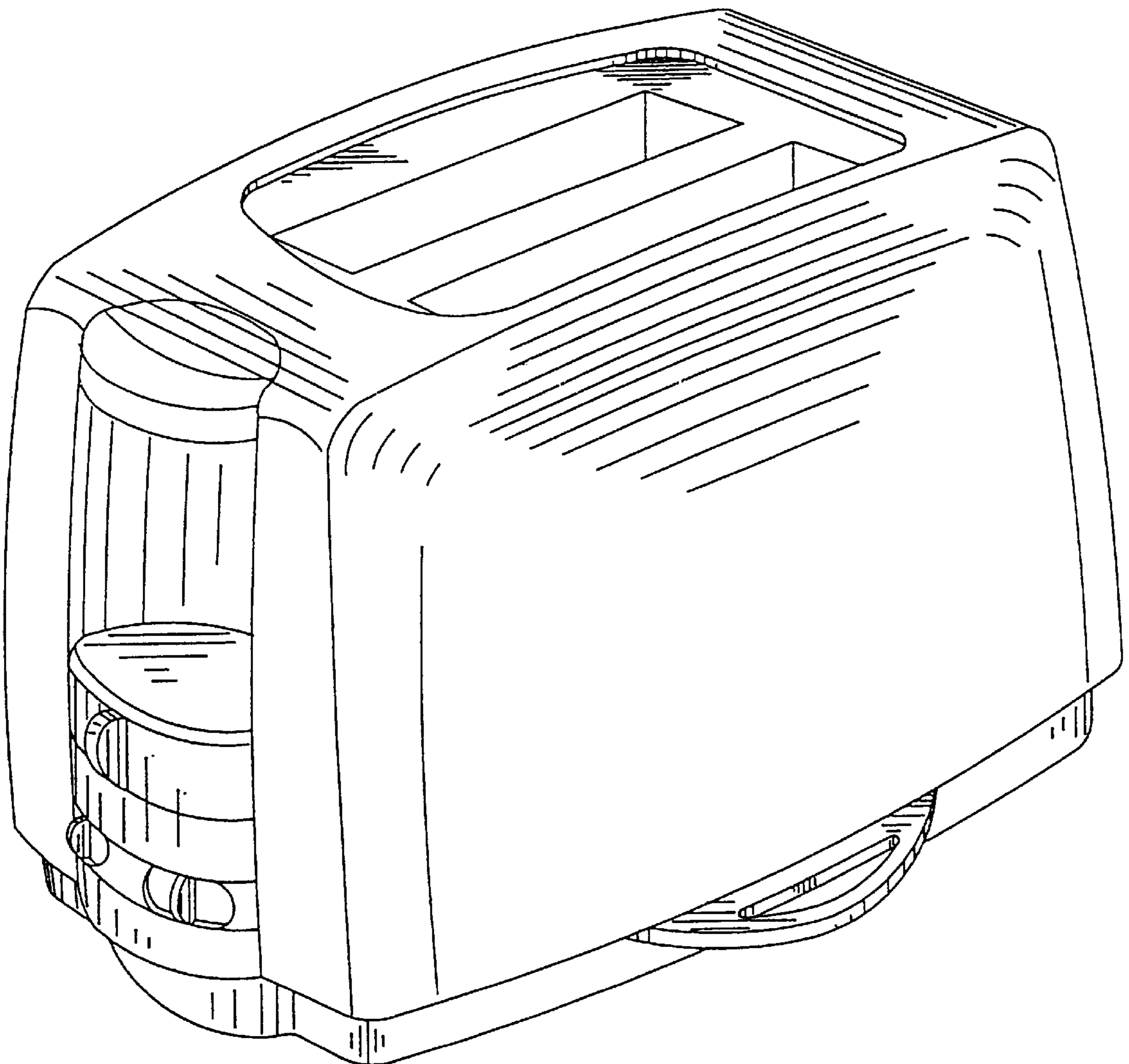


FIG. 1

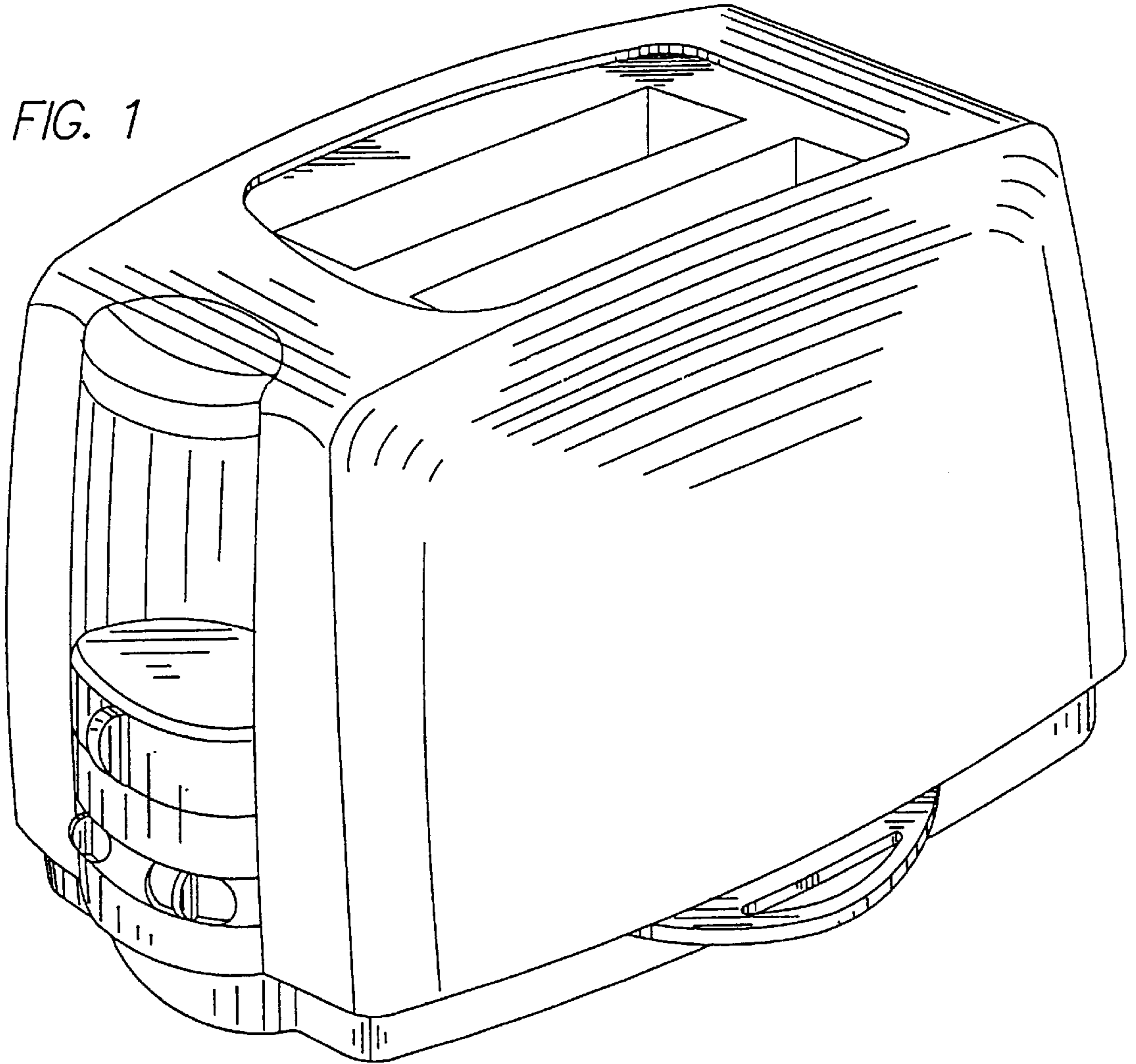


FIG. 2

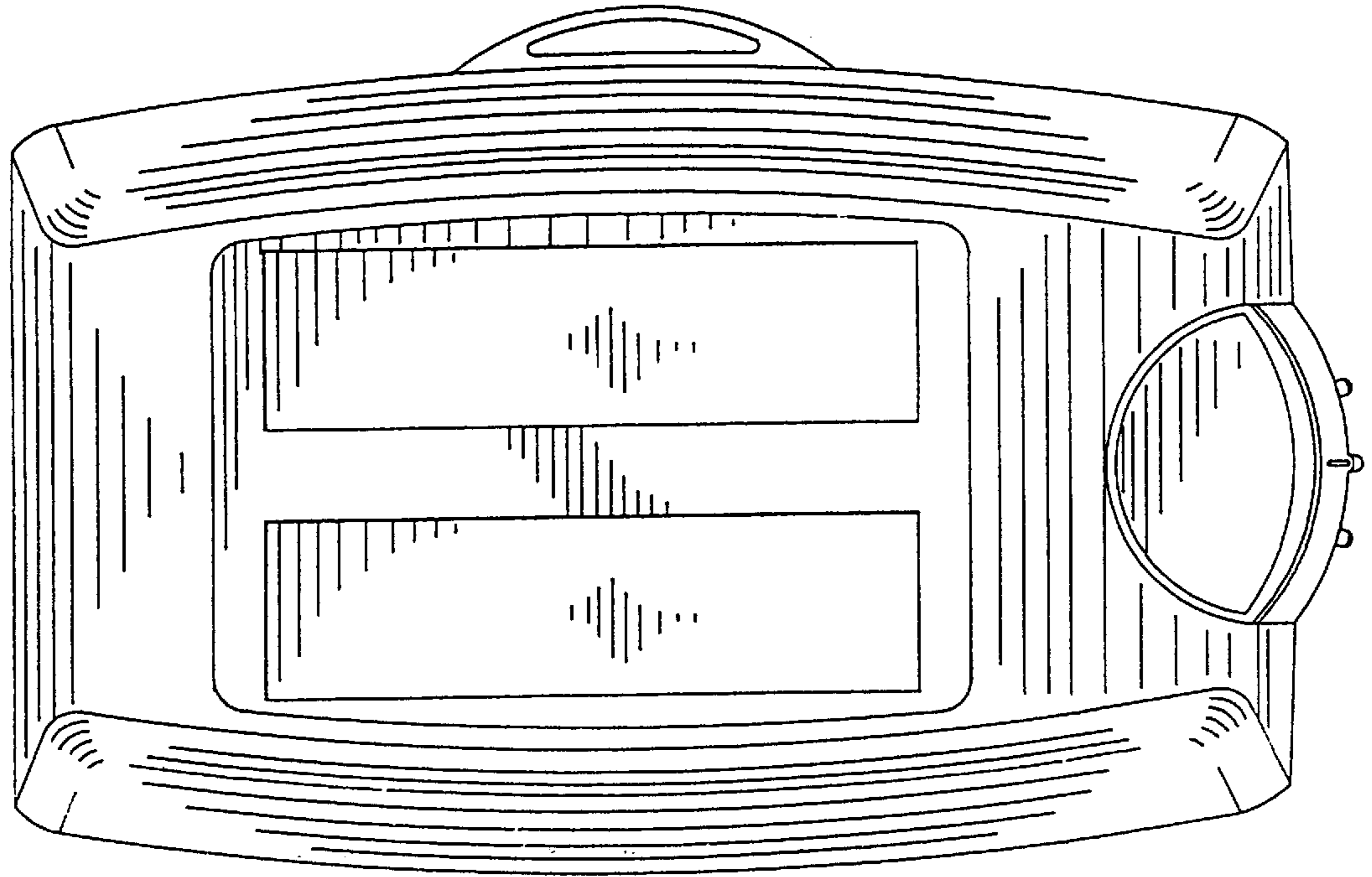


FIG. 3

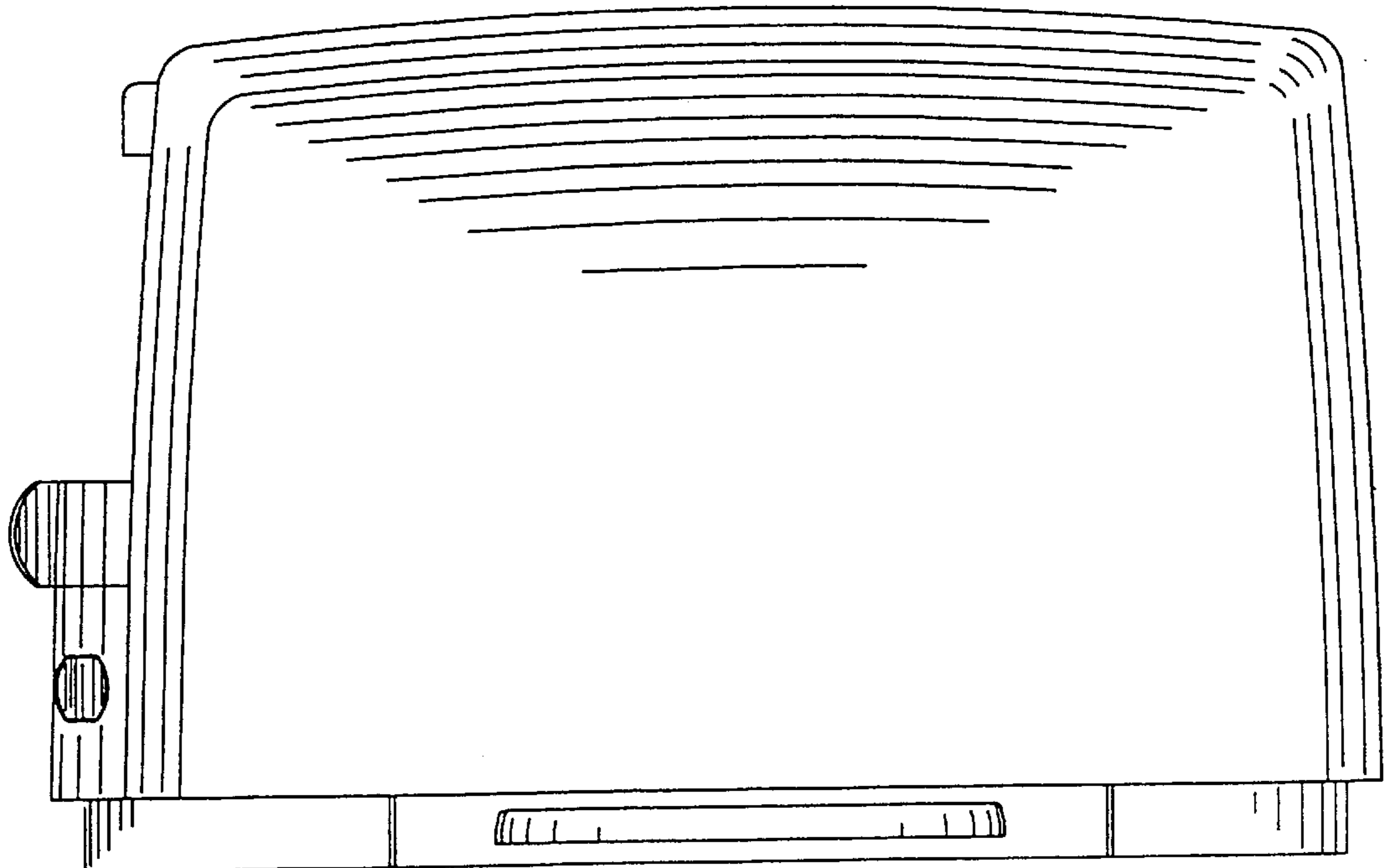


FIG. 4

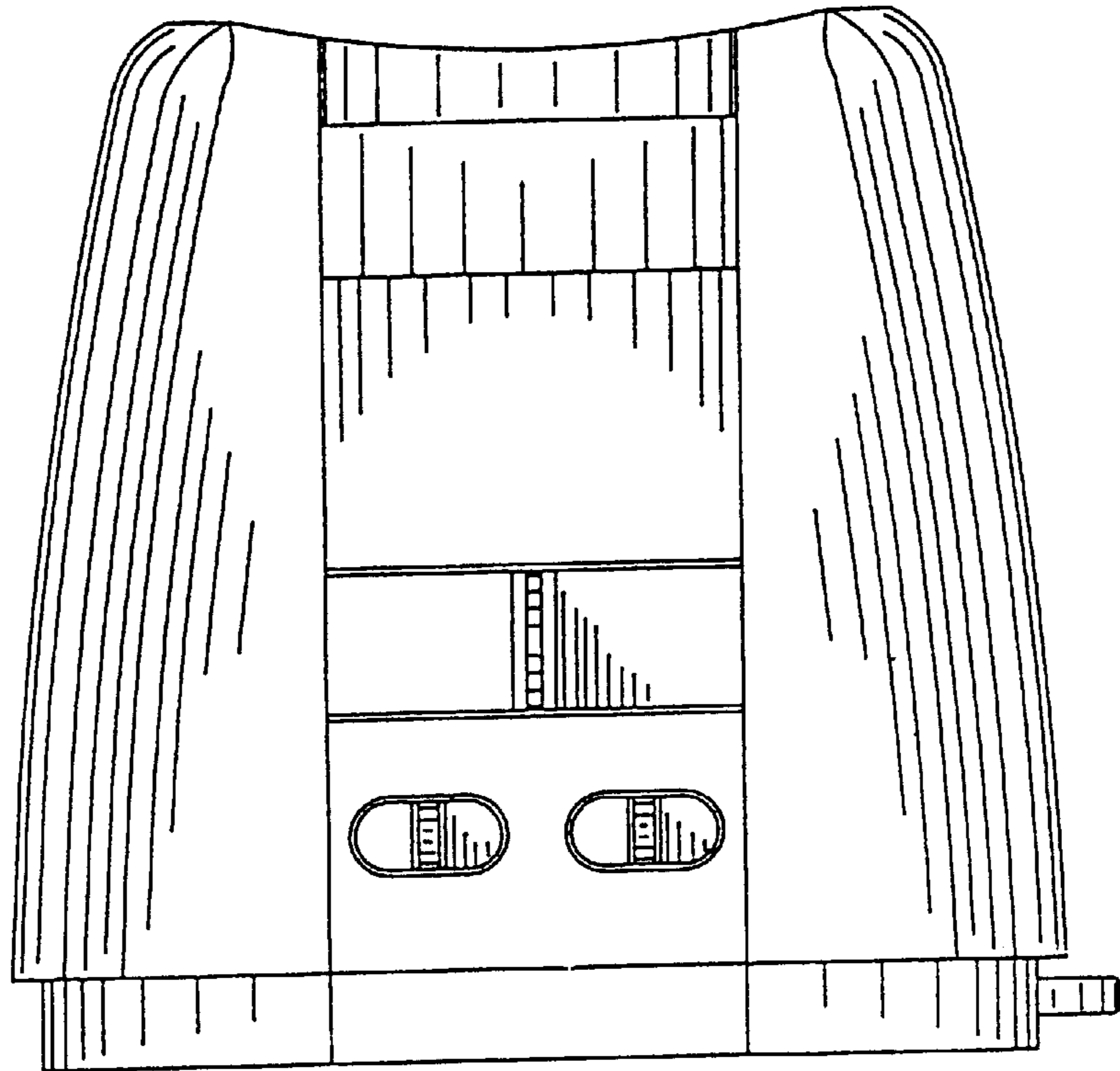


FIG. 5

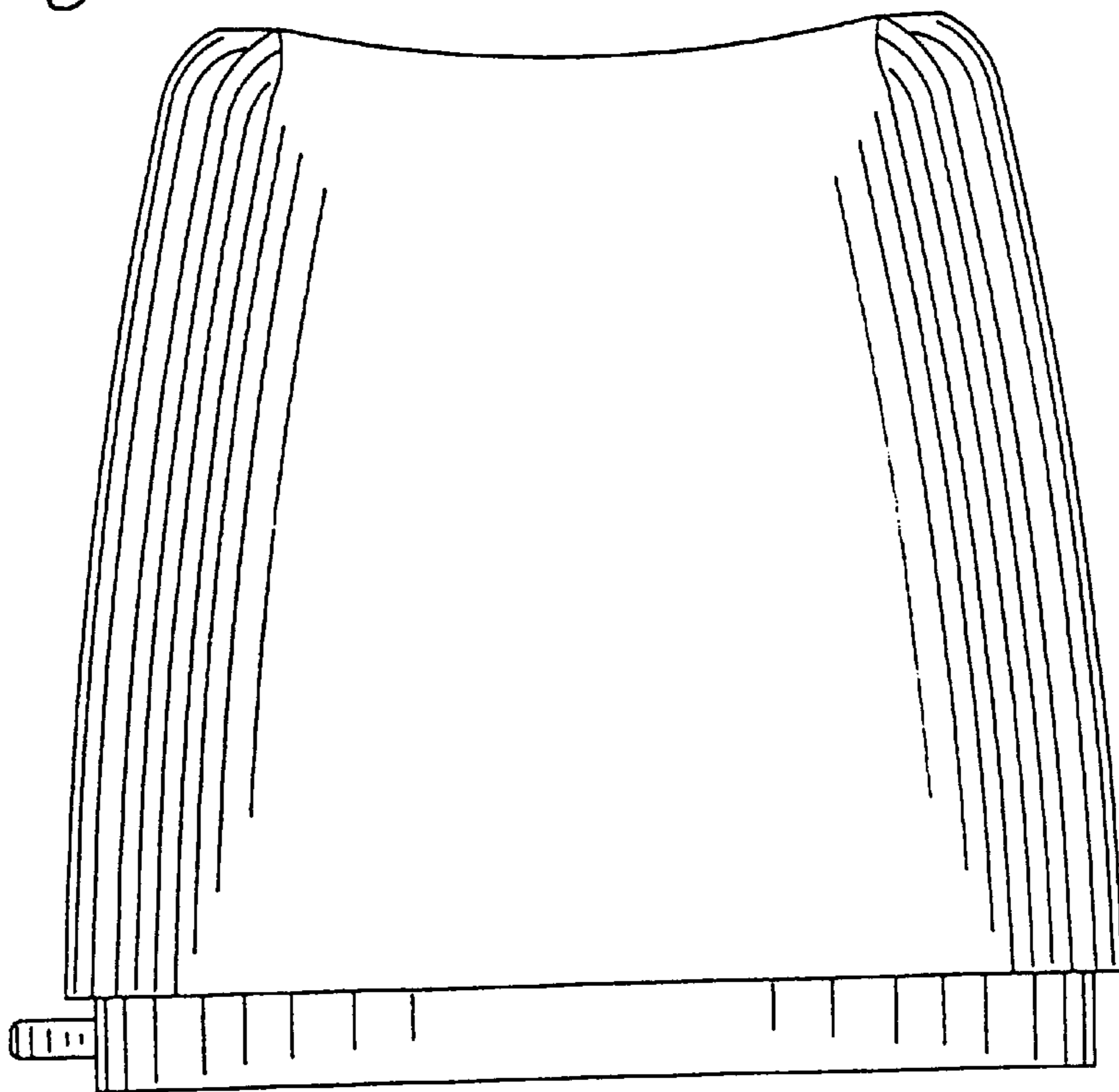


FIG. 6

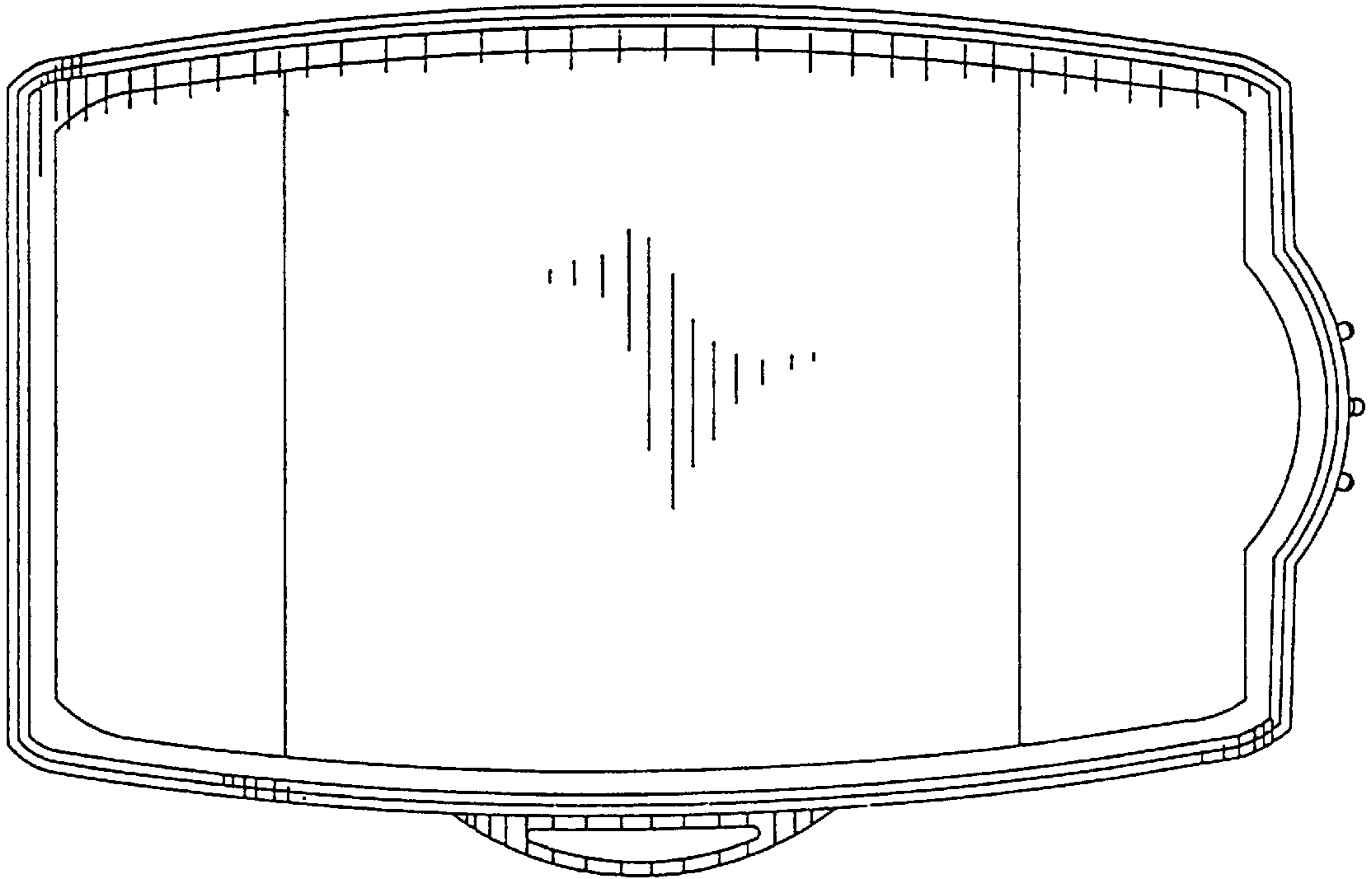


FIG. 7

