



US00D418001S

United States Patent [19]
van der Veen

[11] **Patent Number: Des. 418,001**
[45] **Date of Patent: ** Dec. 28, 1999**

[54] **COFFEE MACHINE**

D. 359,764 6/1995 King D20/4
D. 379,285 5/1997 Evers D7/311

[75] Inventor: **Onno G. P. van der Veen**, Amersfoort,
Netherlands

Primary Examiner—M. N. Pandozzi
Attorney, Agent, or Firm—Jenkins & Gilchrist

[73] Assignee: **J. M. de Jong Duke**
Automatenfabriek B.V., Netherlands

[57] **CLAIM**

[**] Term: **14 Years**

The ornamental design for the coffee machine, as shown and described.

[21] Appl. No.: **29/086,493**

[22] Filed: **Apr. 14, 1998**

DESCRIPTION

[30] **Foreign Application Priority Data**

Oct. 14, 1997 [BX] Benelux TM/Des. Off. 73702-01

FIG. 1 is a perspective view of the coffee machine.

FIG. 2 is a perspective view of the coffee machine.

FIG. 3 is a right side view of the coffee machine.

FIG. 4 is a left side view of the coffee machine.

FIG. 5 is a rear view of the coffee machine.

FIG. 6 is a perspective view of the coffee machine.

FIG. 7 is a top plan view of the coffee machine; and,

FIG. 8 is a bottom plan view of the coffee machine.

[51] **LOC (6) Cl.** **07-01**

[52] **U.S. Cl.** **D7/311; D7/306**

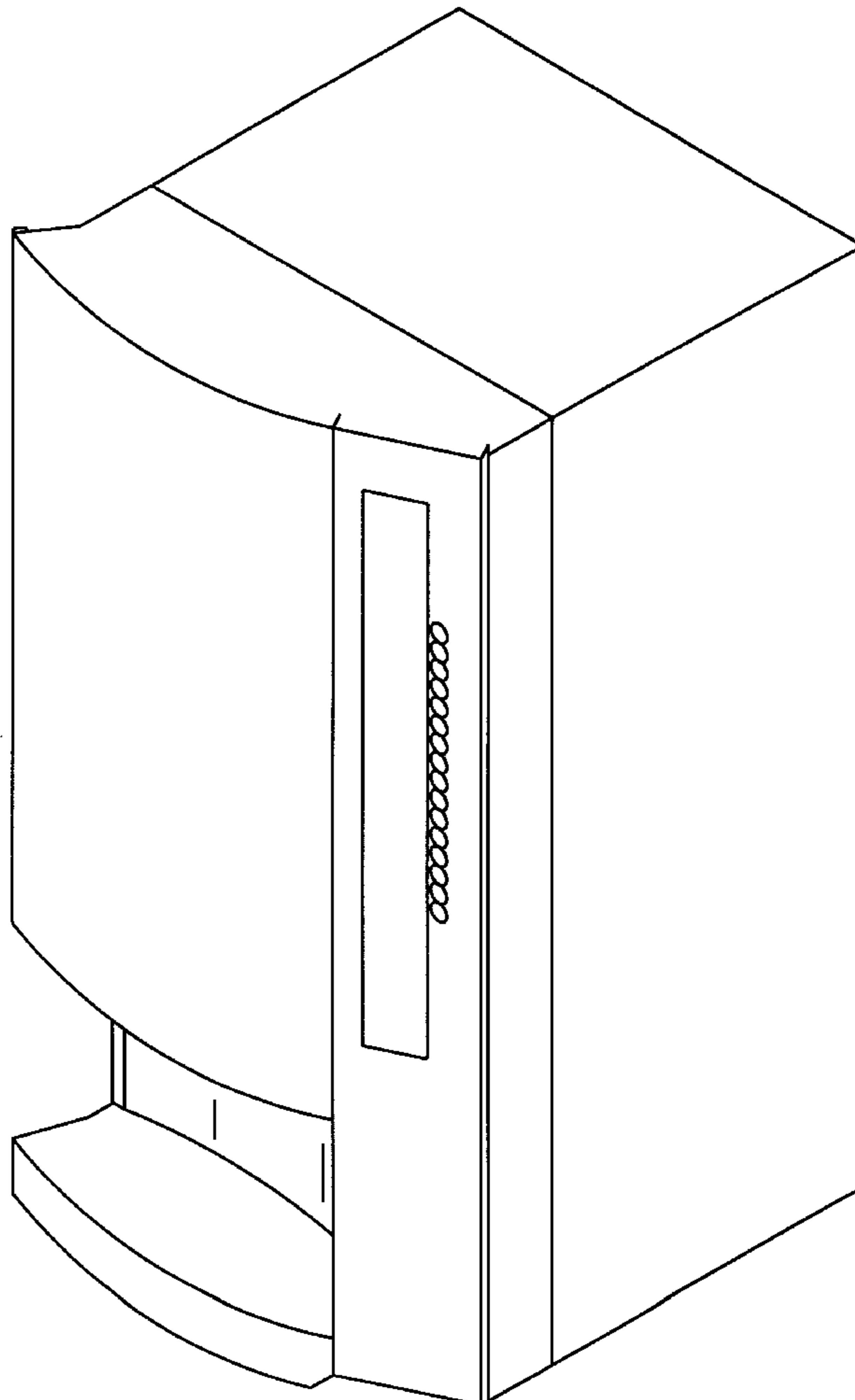
[58] **Field of Search** D20/4; 37/307,
37/310, 311, 306, 308, 312; 222/146.5;
99/285

[56] **References Cited**

U.S. PATENT DOCUMENTS

D. 356,342 3/1995 Reese et al. D20/4

1 Claim, 8 Drawing Sheets



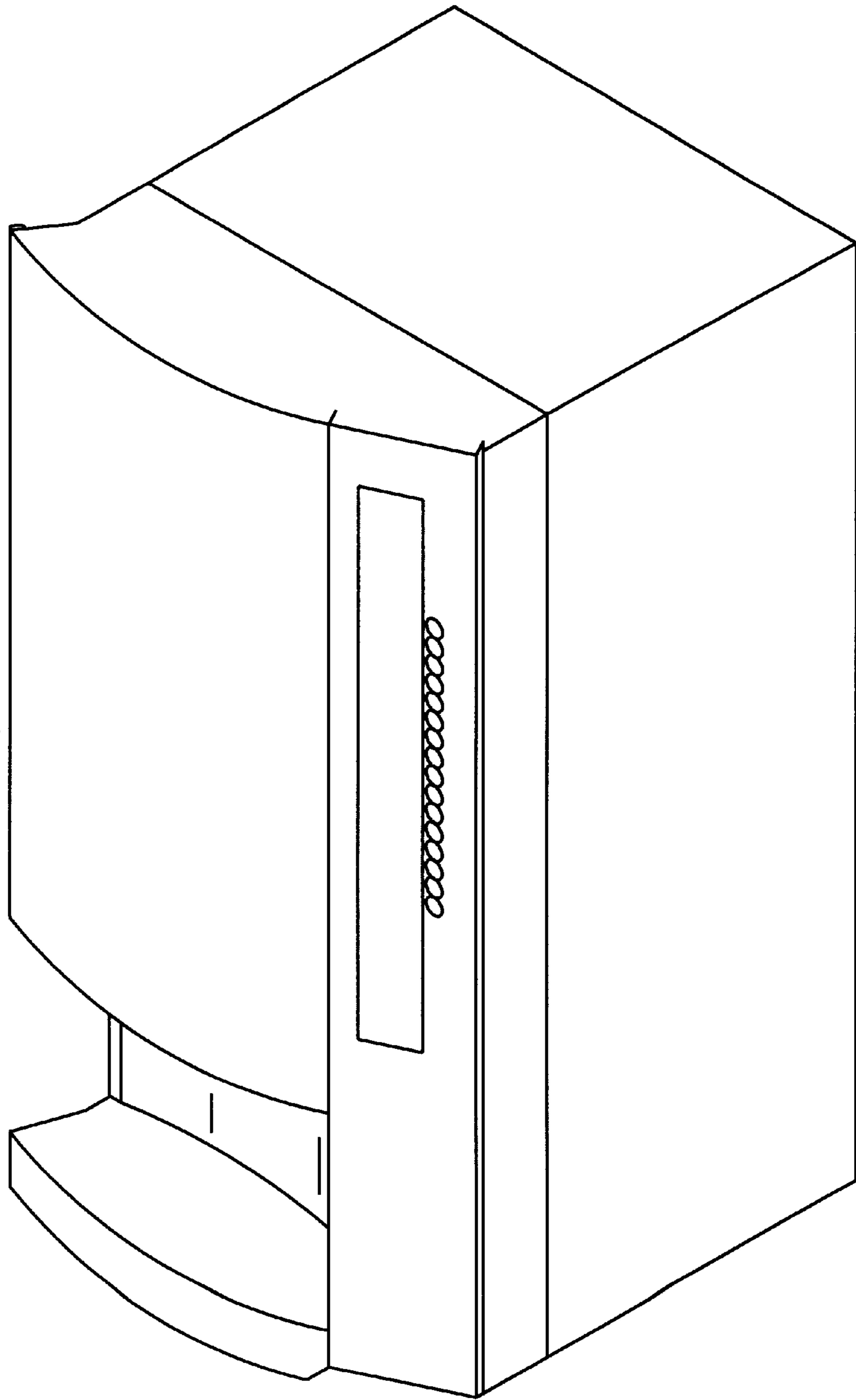


FIG. 1

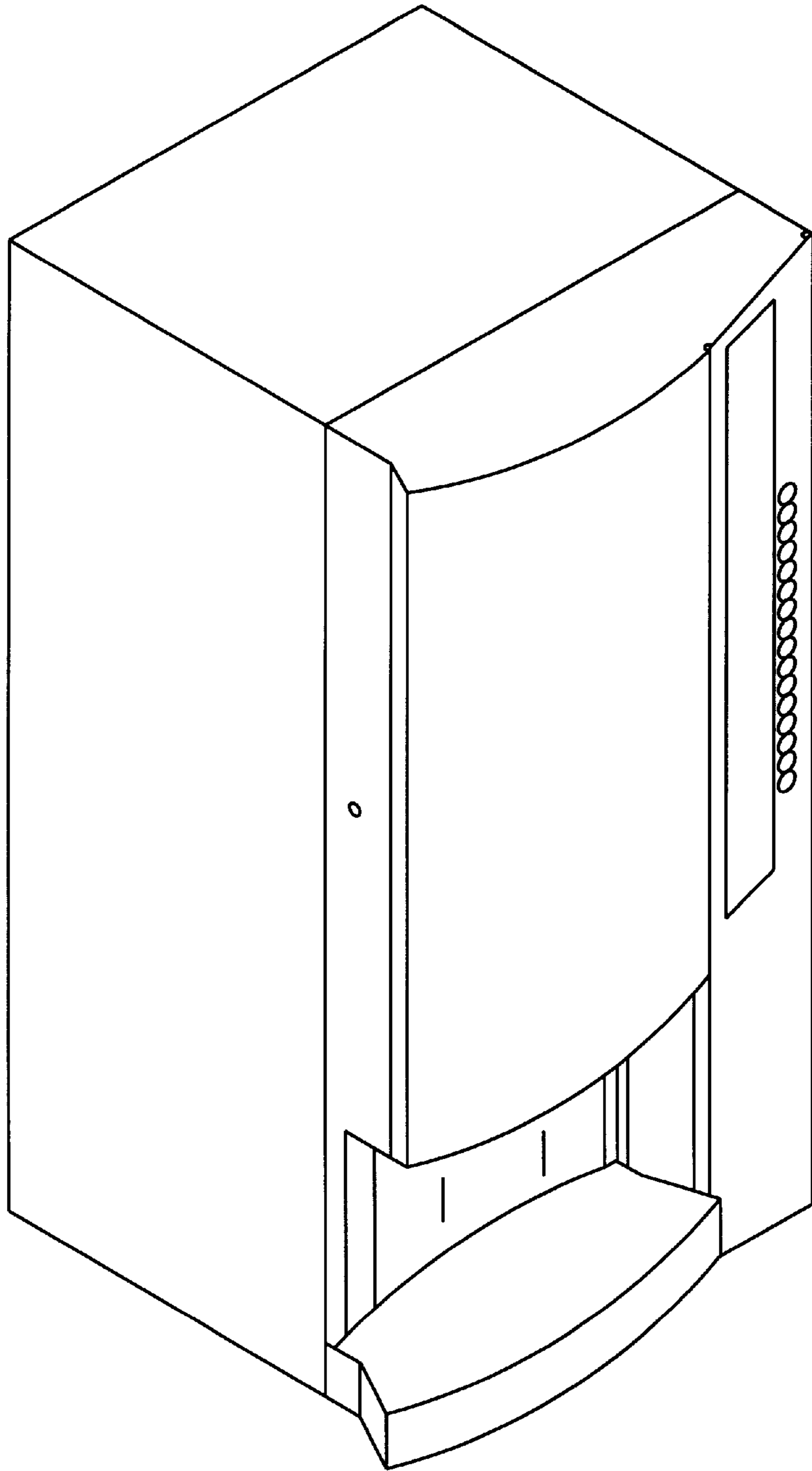


FIG. 2

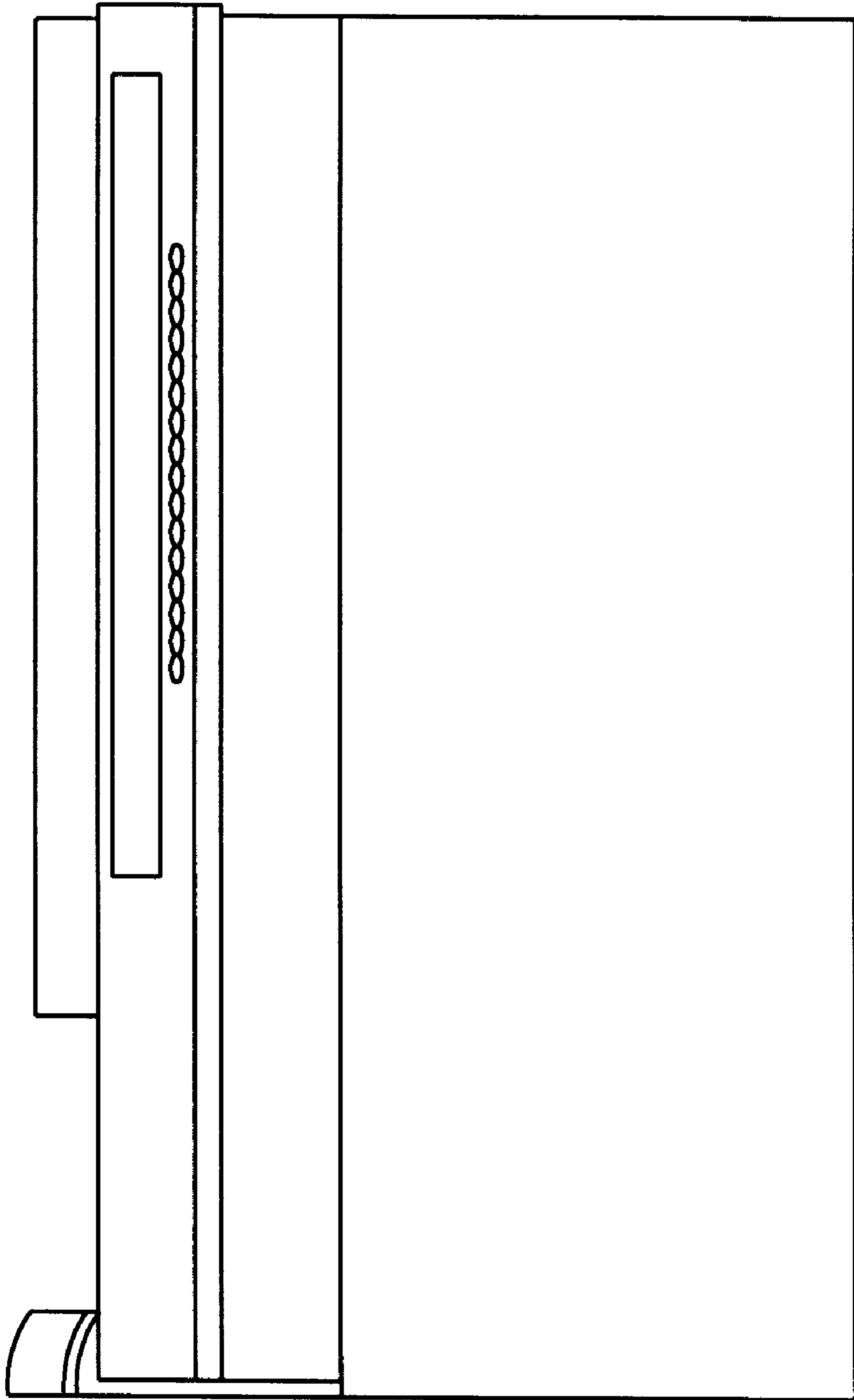


FIG. 3

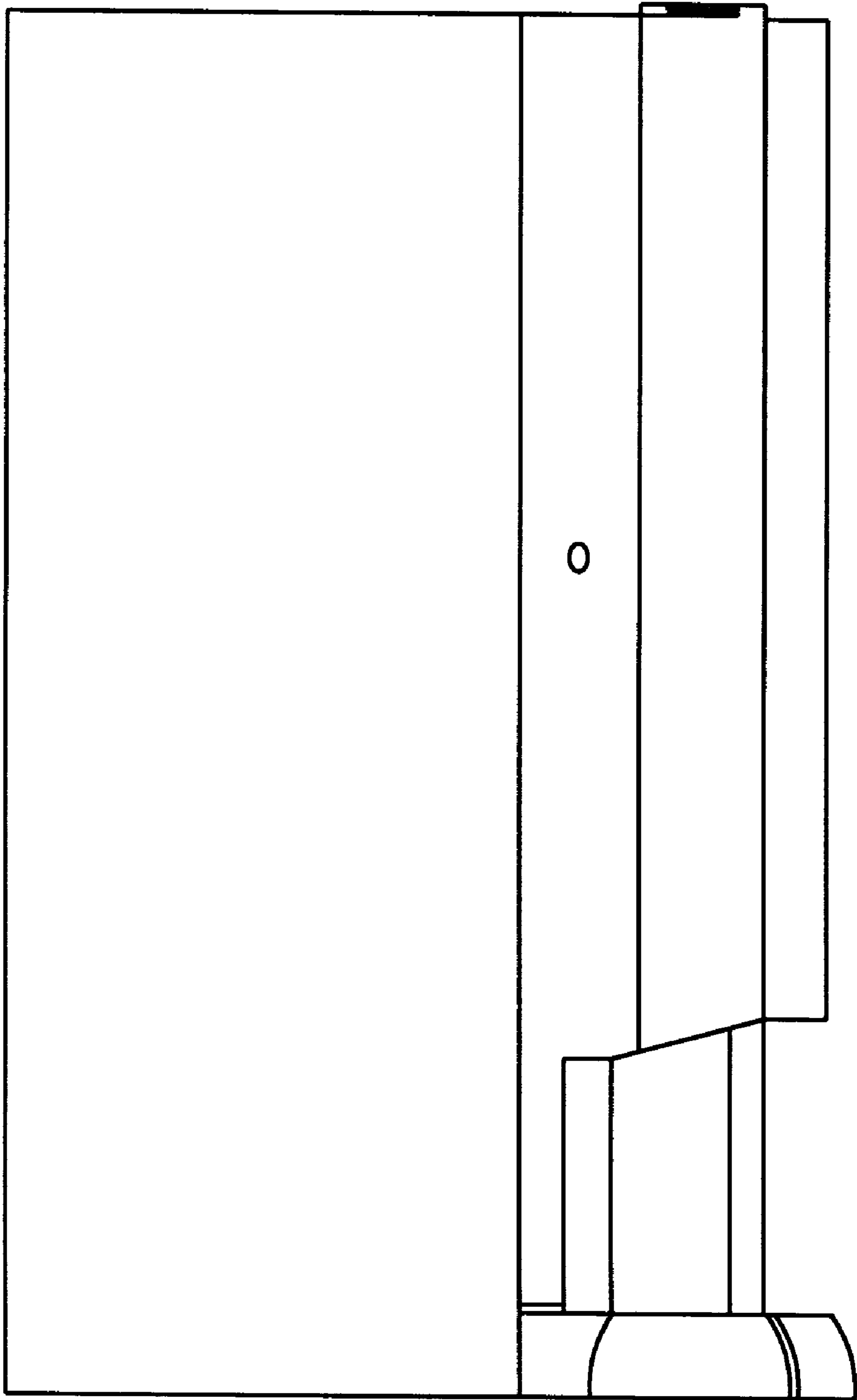


FIG. 4

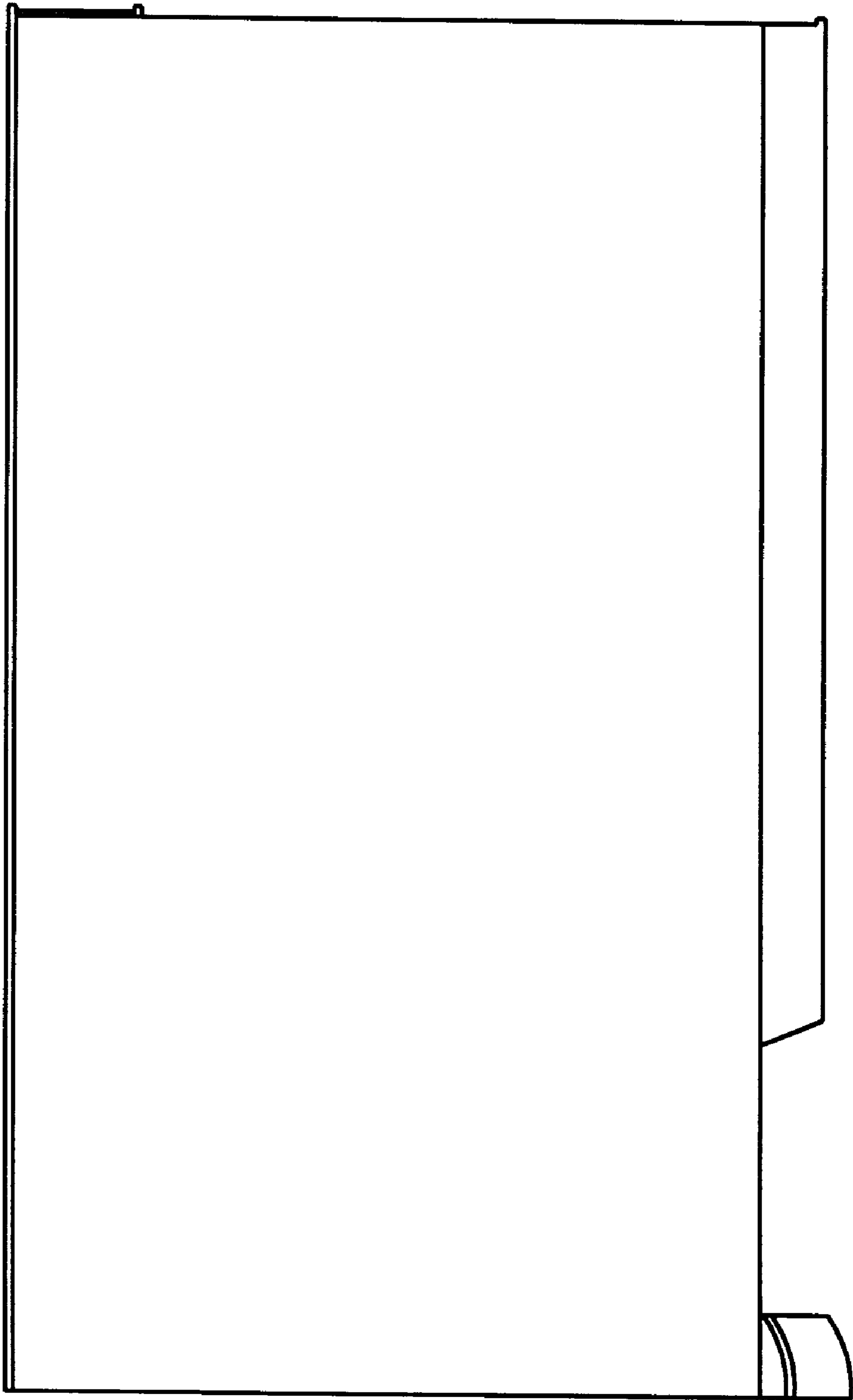


FIG. 5

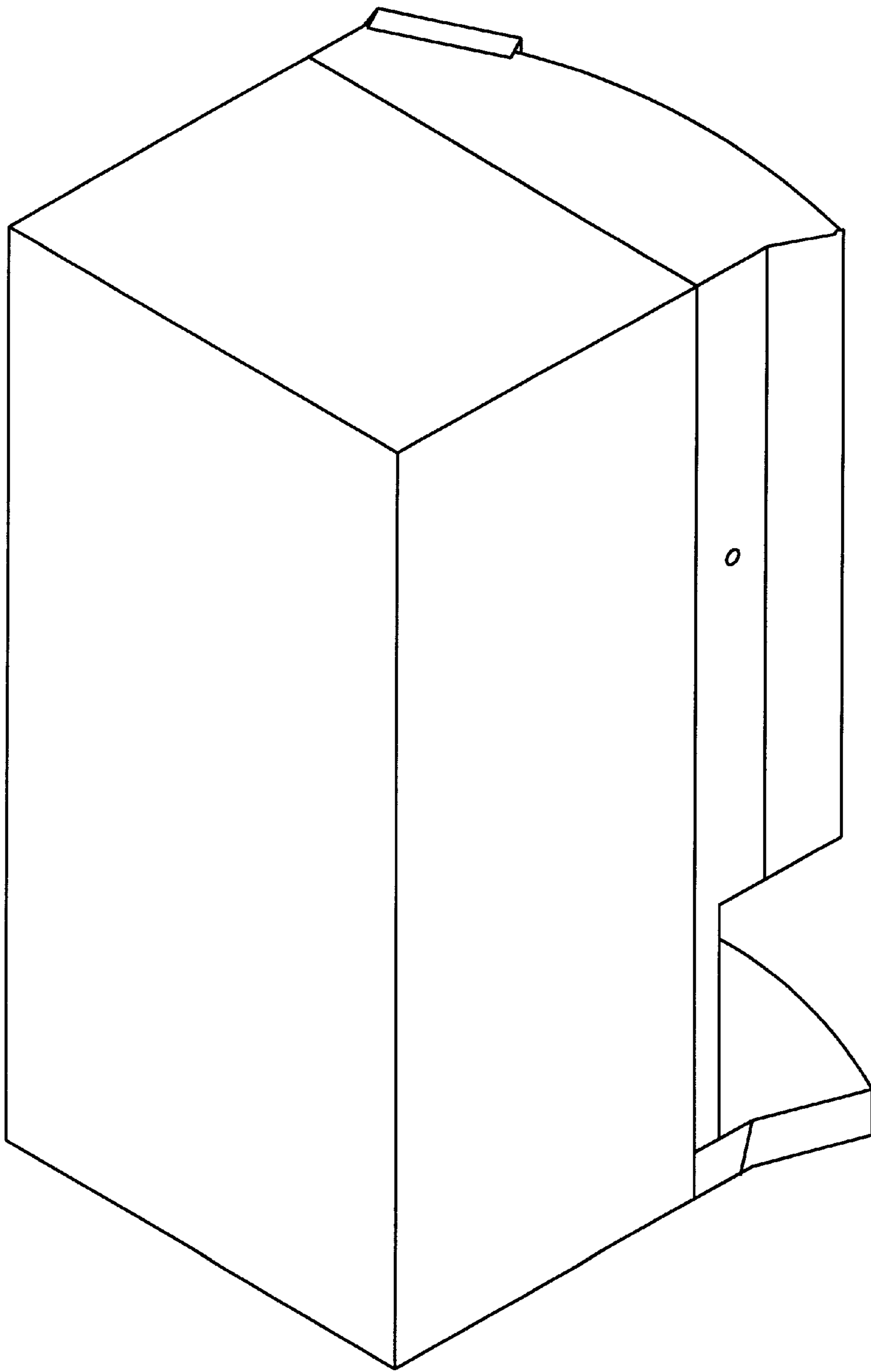


FIG. 6

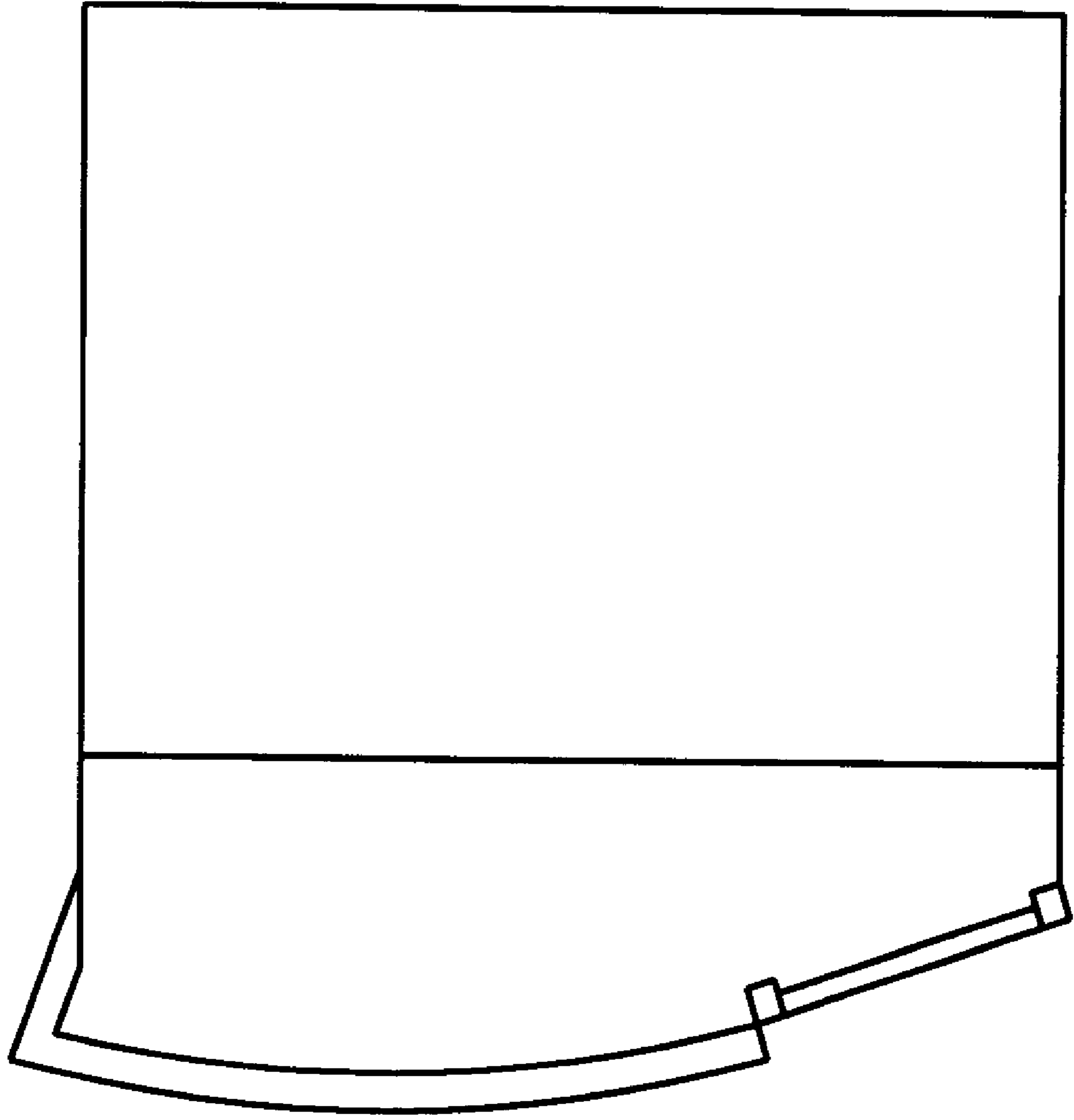


FIG. 7

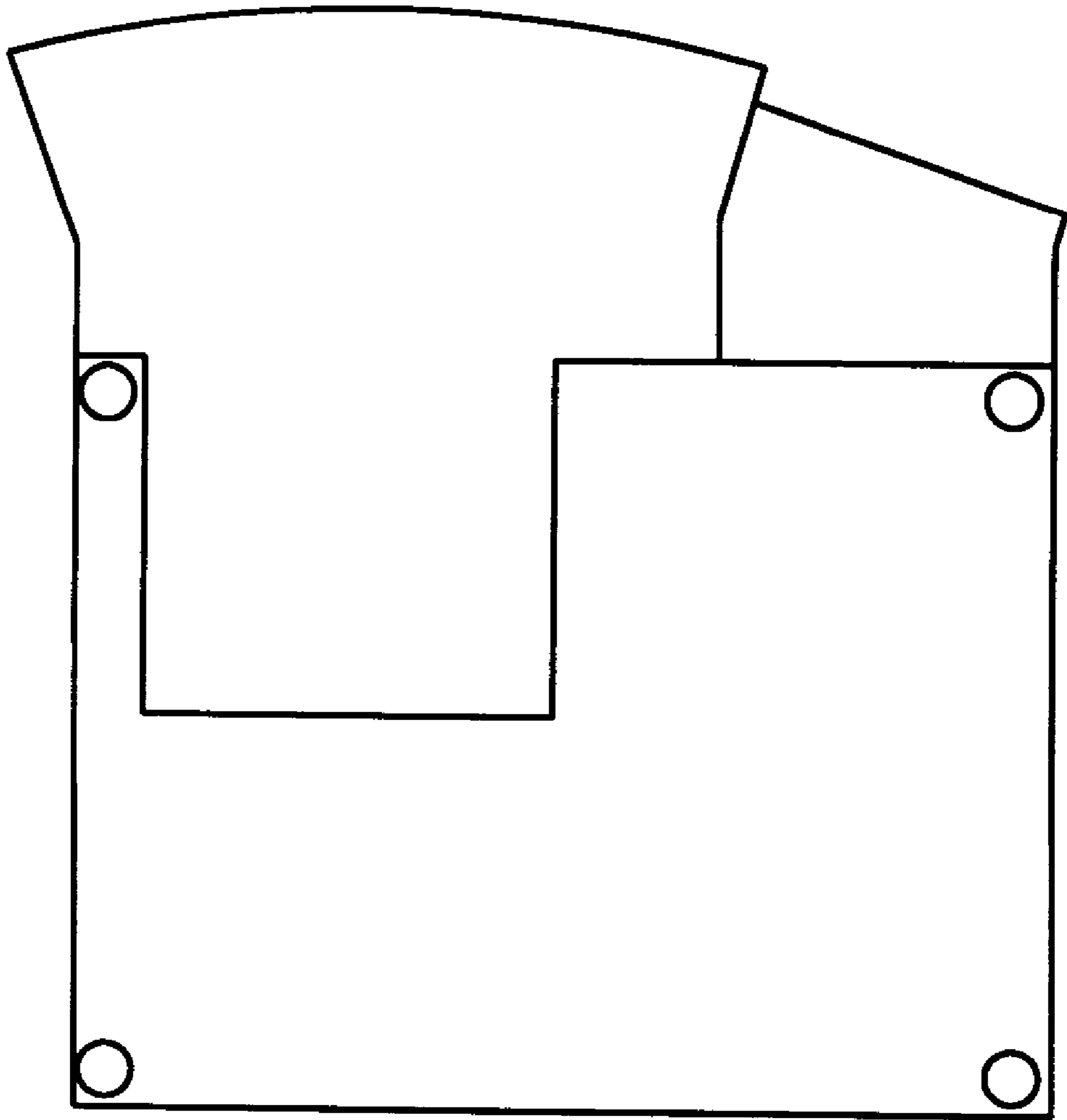


FIG. 8