



US00D417996S

United States Patent [19] Mallen

[11] **Patent Number: Des. 417,996**

[45] **Date of Patent: ** Dec. 28, 1999**

[54] **WALL RACK**

D. 354,654 1/1995 Mallen D6/552
5,477,968 12/1995 Largent et al. 211/60.1
5,862,924 1/1999 Dumont 211/85.7

[75] Inventor: **Frank Mallen**, Dollard des Ormeaux,
Canada

[73] Assignee: **Malenger Inc.**, Dollard des Ormeaux,
Canada

[**] Term: **14 Years**

Primary Examiner—Kay H. Chin
Attorney, Agent, or Firm—McFadden, Fincham

[21] Appl. No.: **29/089,994**

[22] Filed: **Jun. 26, 1998**

[57] **CLAIM**

The ornamental design for a wall rack, as shown and described.

[51] **LOC (6) Cl.** **08-08**

[52] **U.S. Cl.** **D6/553; D6/513**

[58] **Field of Search** D6/512, 513, 514,
D6/315, 327, 552, 553; 211/13.1, 30, 32,
86.01, 204, 205, 206, 60.1, 70.5, 85.7,
196

DESCRIPTION

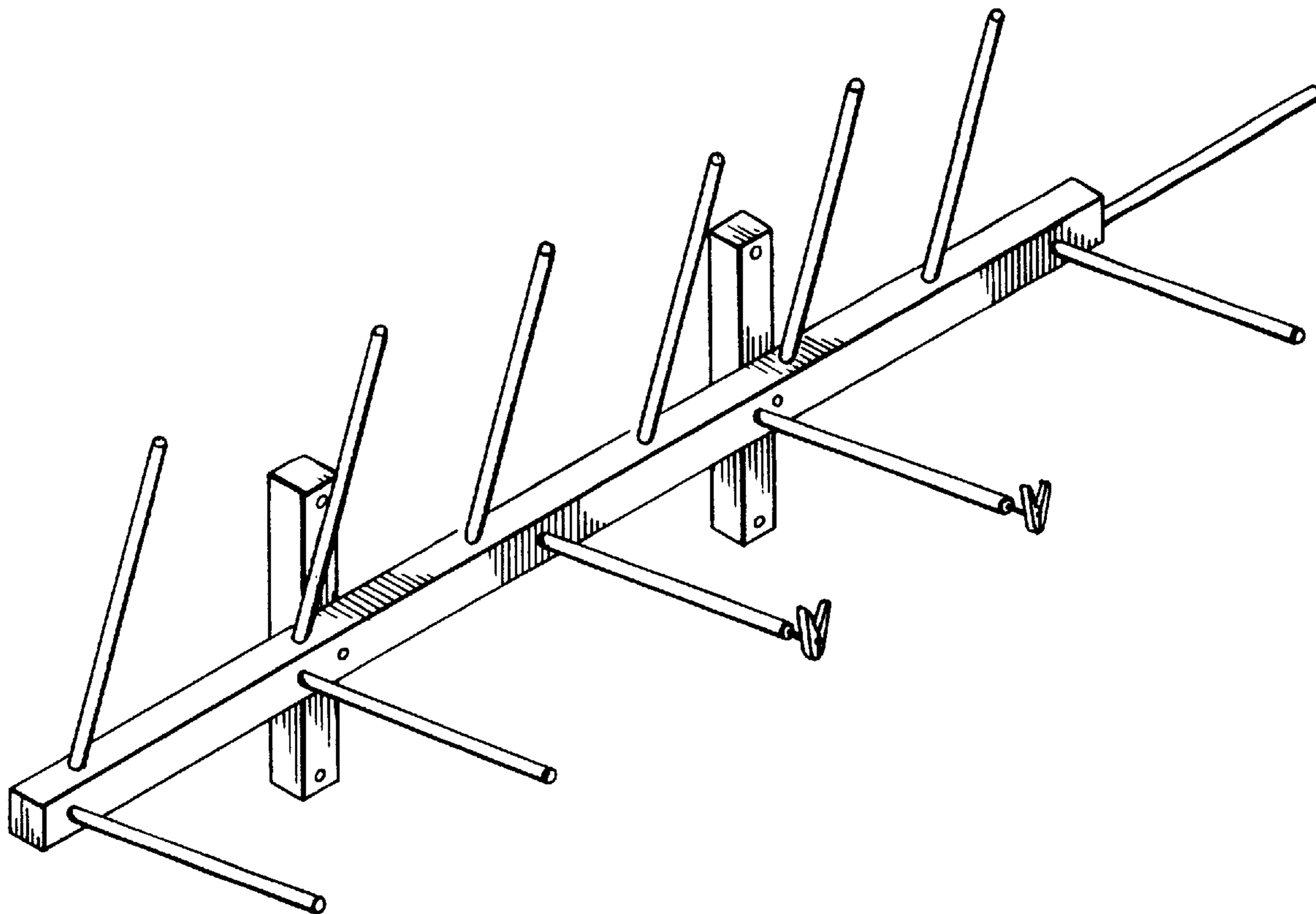
FIG. 1 is an isometric view of the wall rack;
FIG. 2 is a side view of one end thereof;
FIG. 3 is a side view of the other end thereof;
FIG. 4 is a front view thereof;
FIG. 5 is a back view thereof;
FIG. 6 is a top view thereof; and,
FIG. 7 is a bottom view thereof.

[56] **References Cited**

U.S. PATENT DOCUMENTS

D. 320,713 10/1991 Greenhut et al. D6/513

1 Claim, 3 Drawing Sheets



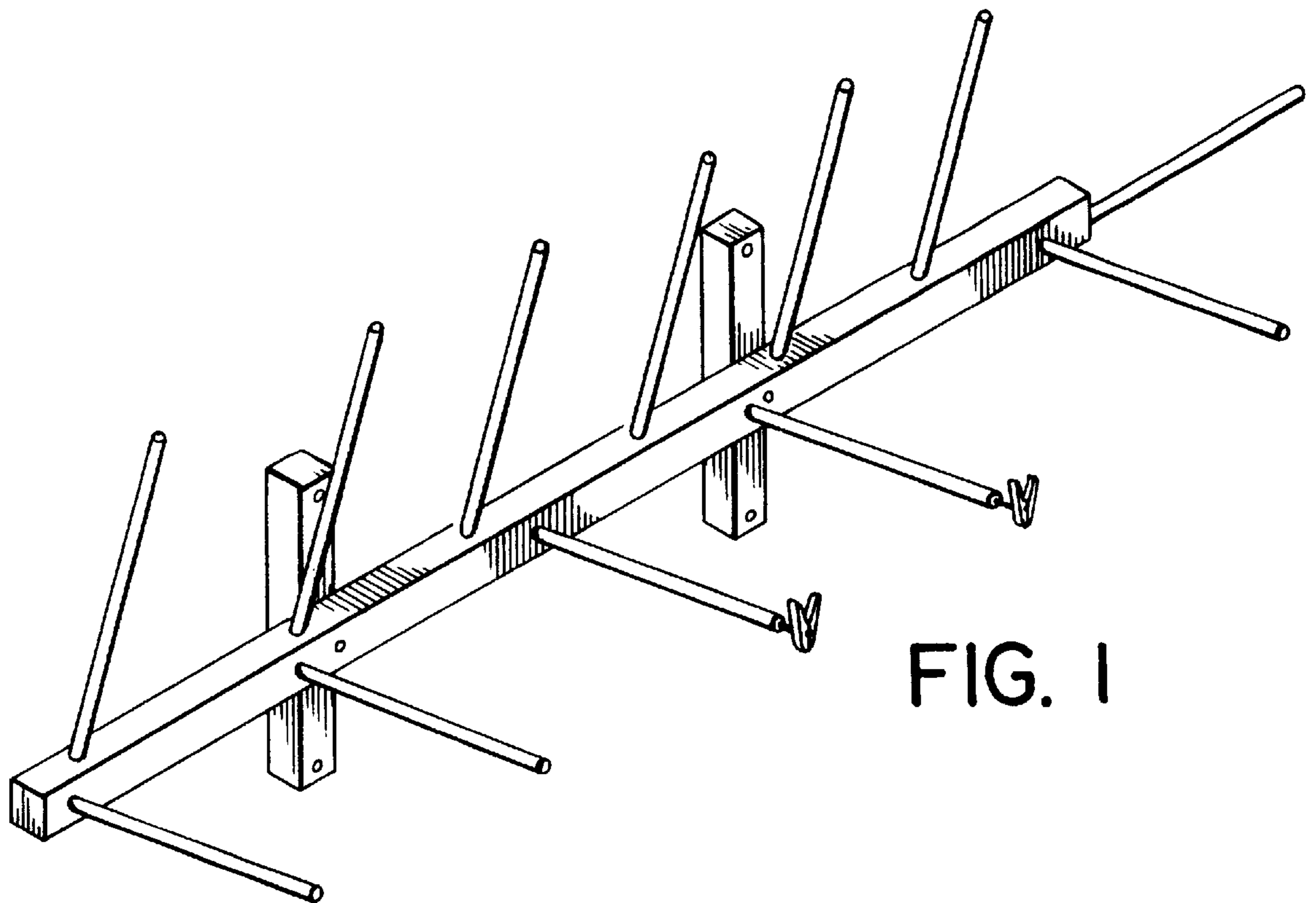


FIG. 1

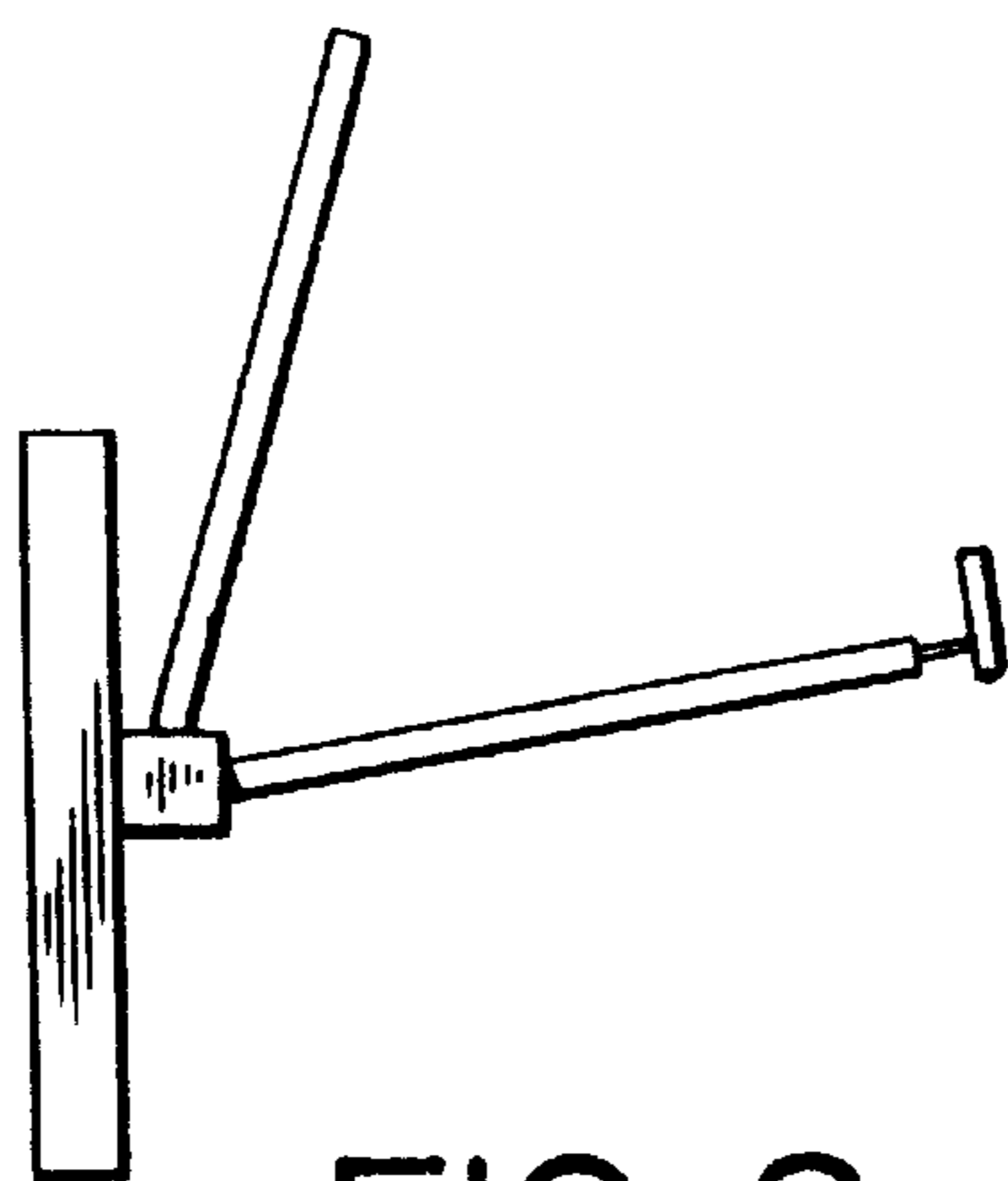


FIG. 2

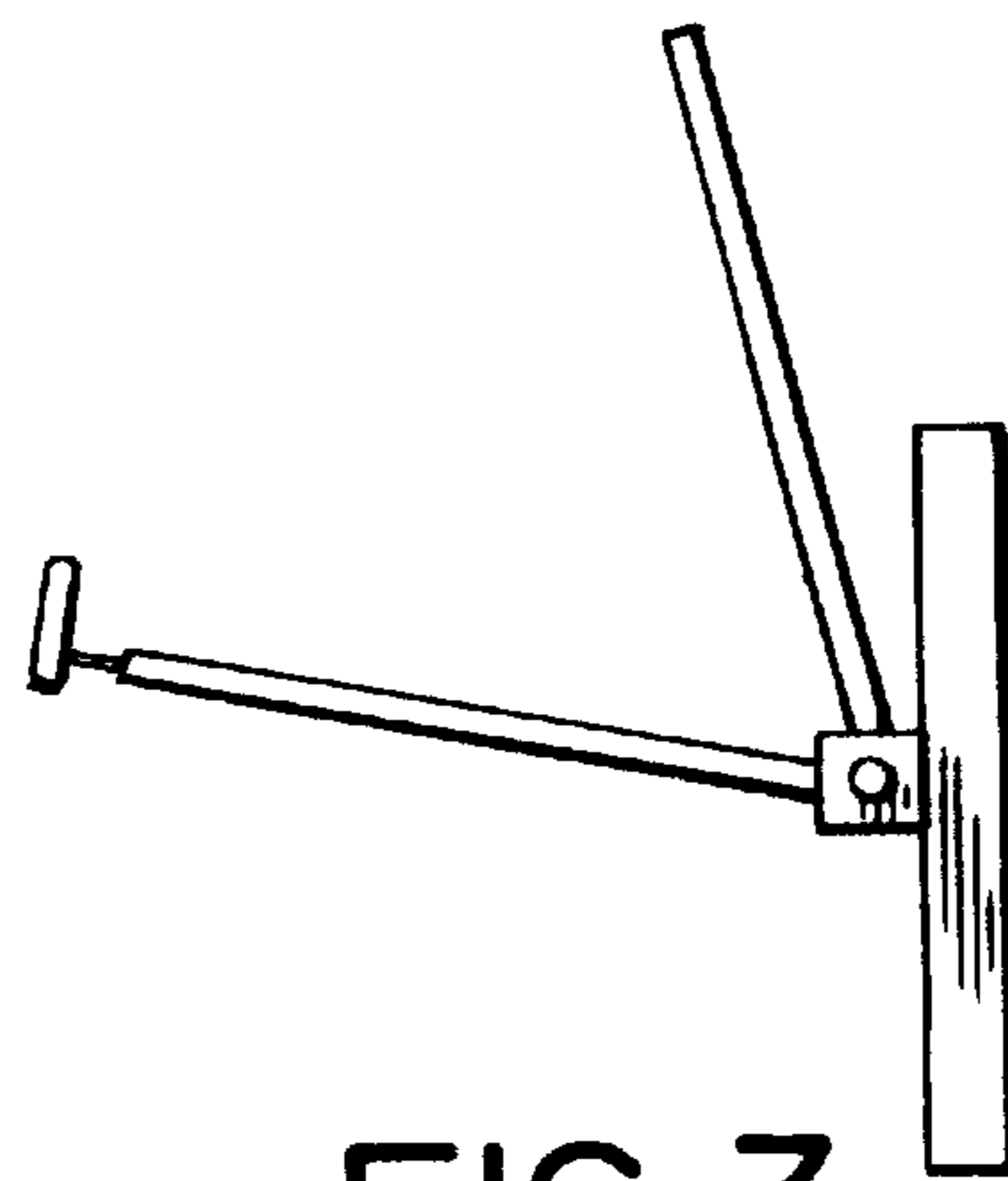


FIG. 3

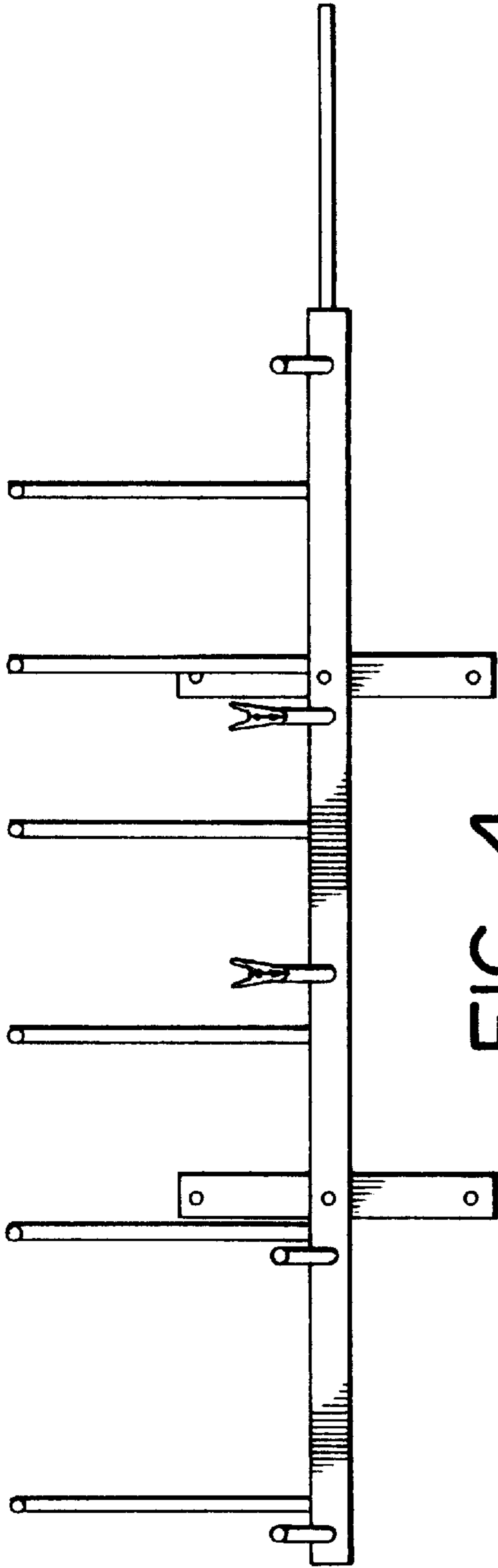


FIG. 4

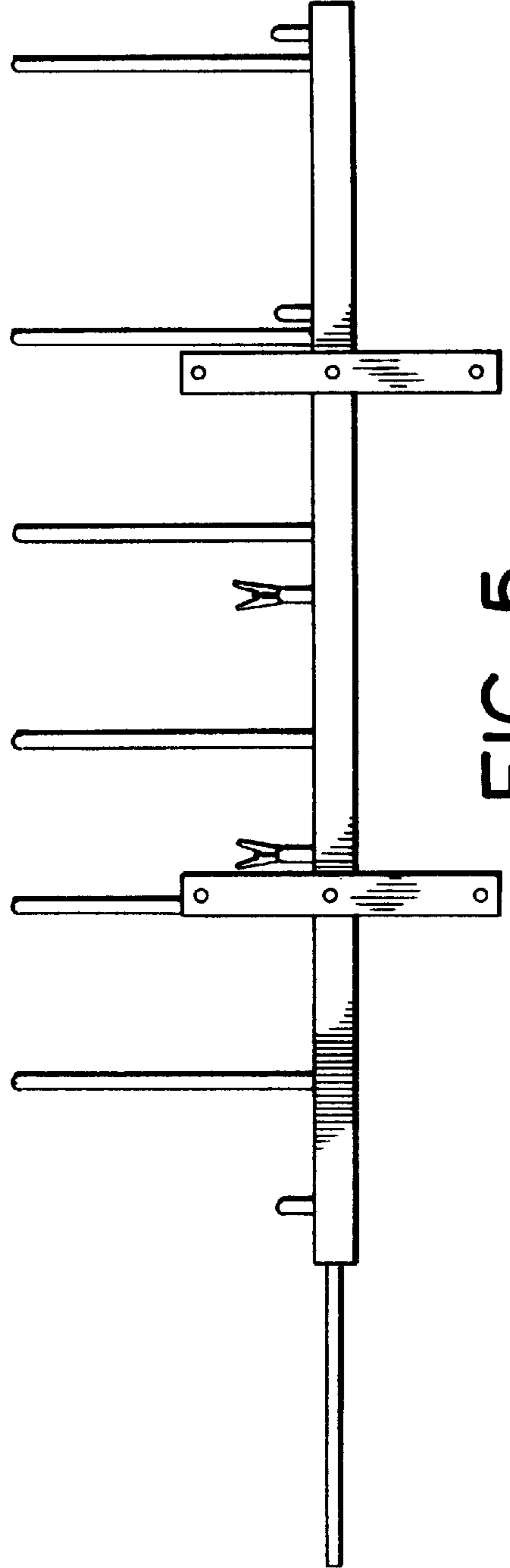


FIG. 5

