



US00D417995S

United States Patent [19] Chen

[11] **Patent Number: Des. 417,995**

[45] **Date of Patent: ** Dec. 28, 1999**

[54] **TOWEL BAR POST**

[76] Inventor: **Lien-Fu Chen**, No.11,Lane 66,Fu Dong Street, Fu Shan Li, Chang Hua City, Taiwan

[**] Term: **14 Years**

[21] Appl. No.: **29/091,264**

[22] Filed: **Jul. 27, 1998**

[51] **LOC (6) Cl. 07-07**

[52] **U.S. Cl. D6/550; D6/549**

[58] **Field of Search** D6/524-540, 546-550; D8/349, 354, 363, 373, 380; 211/13.1, 86-87, 16, 44, 105.1, 123, 182, 183; 248/200, 231.91, 251, 222.1, 224.3

[56] **References Cited**

U.S. PATENT DOCUMENTS

D. 357,379	4/1995	Lehn et al.	D6/549
D. 357,840	5/1995	Lehn et al.	D6/549
D. 392,139	3/1998	Wu	D6/549
D. 394,971	6/1998	Moore	D6/550
D. 394,972	6/1998	Moore et al.	D6/550

D. 408,188	4/1999	Kuo	D6/550
4,907,771	3/1990	Wang	248/222.1

Primary Examiner—Brian N. Vinson
Attorney, Agent, or Firm—Charles E. Baxley, Esq.

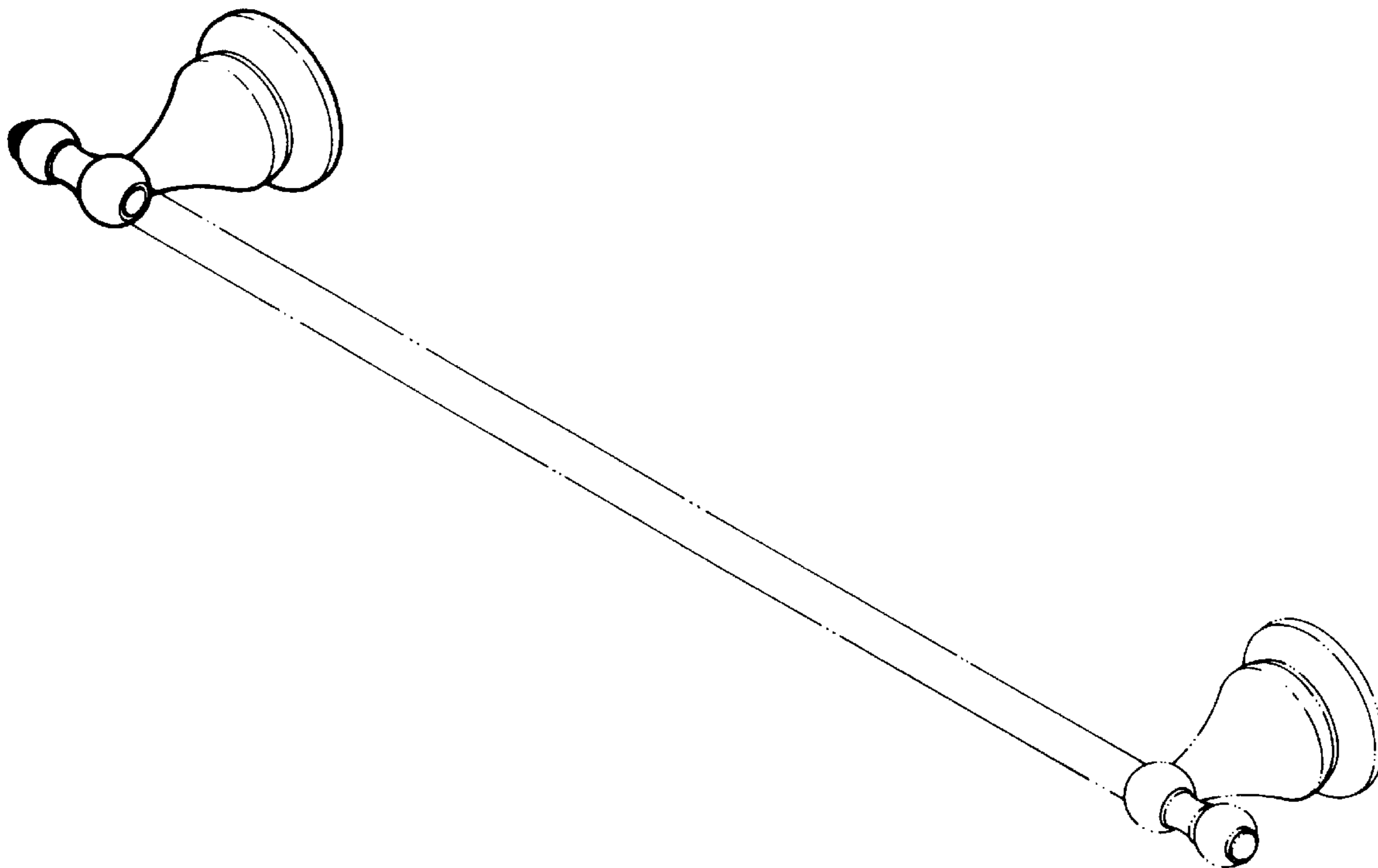
[57] **CLAIM**

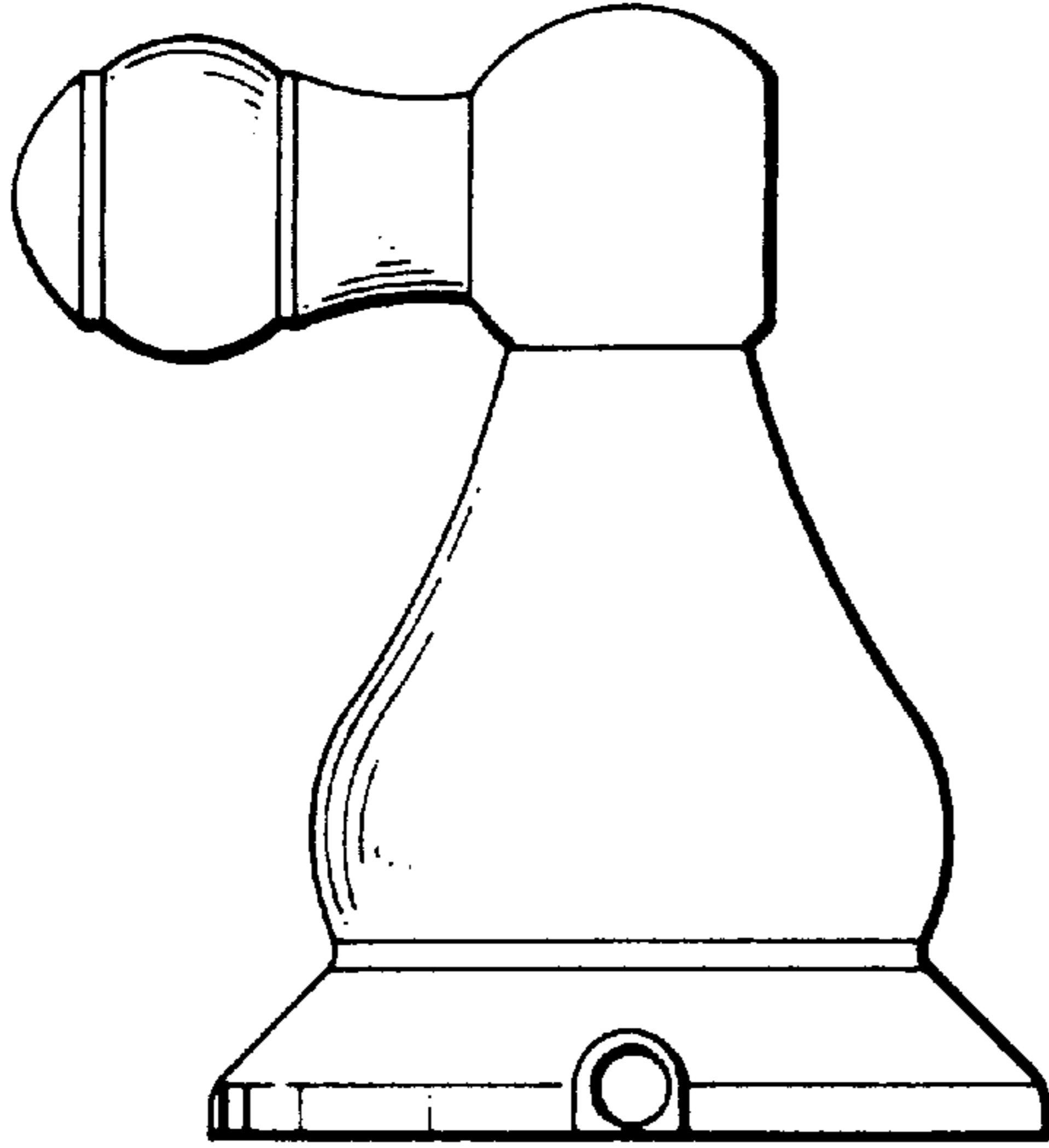
The ornamental design for a towel bar, as shown and described.

DESCRIPTION

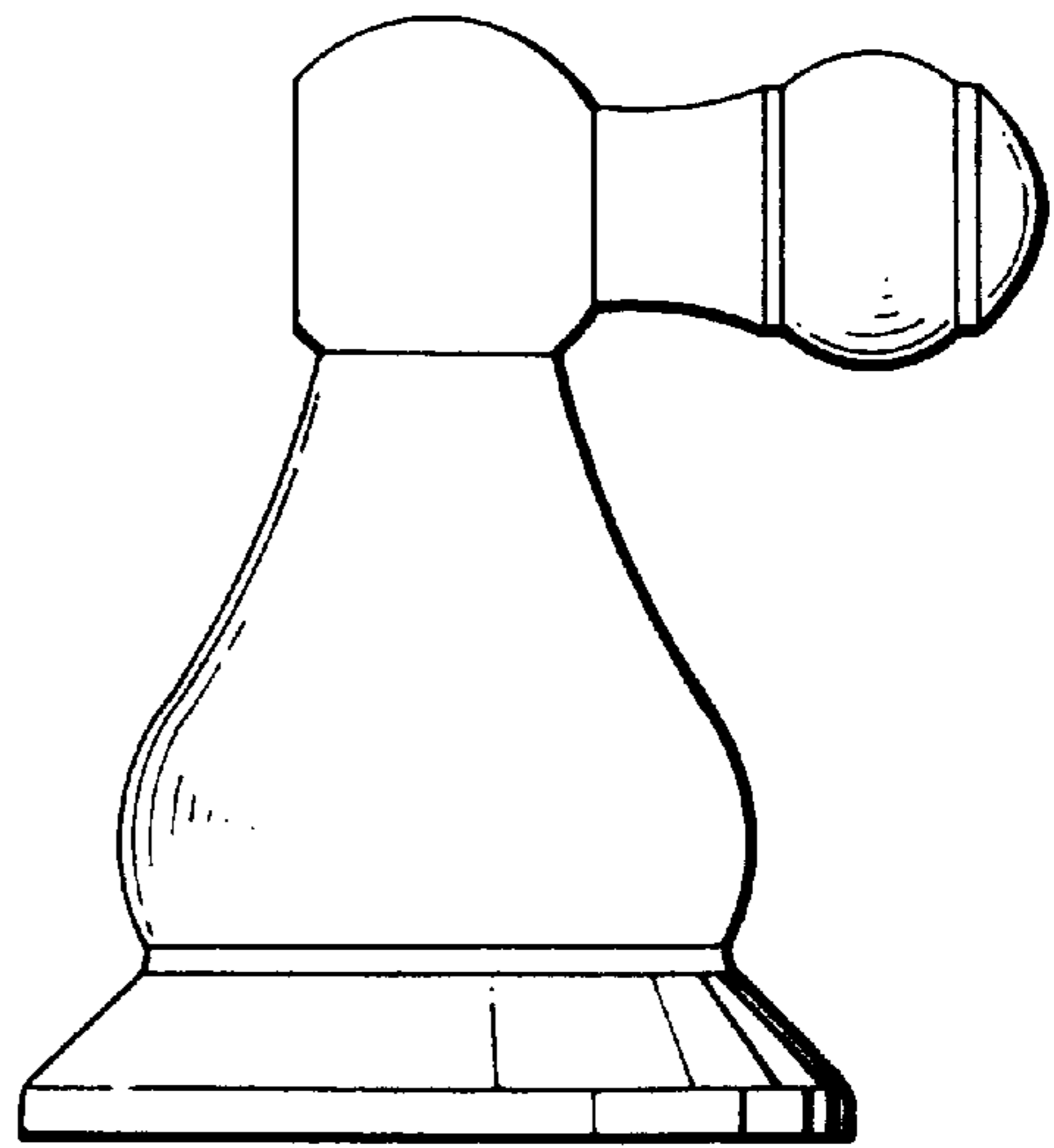
FIG. 1 is a bottom plan view of a towel bar post showing my new design;
FIG. 2 is a top plan view thereof;
FIG. 3 is a left side elevational view thereof;
FIG. 4 is a right side elevational view thereof;
FIG. 5 is a front elevational view thereof;
FIG. 6 is a rear elevational view thereof;
FIG. 7 is a front, bottom, and right side perspective view thereof; and,
FIG. 8 is a reduced top, front, and right side perspective view thereof, the broken-line disclosure of a towel bar and additional post being for illustrative purposes only and forming no part of the claimed design.

1 Claim, 5 Drawing Sheets

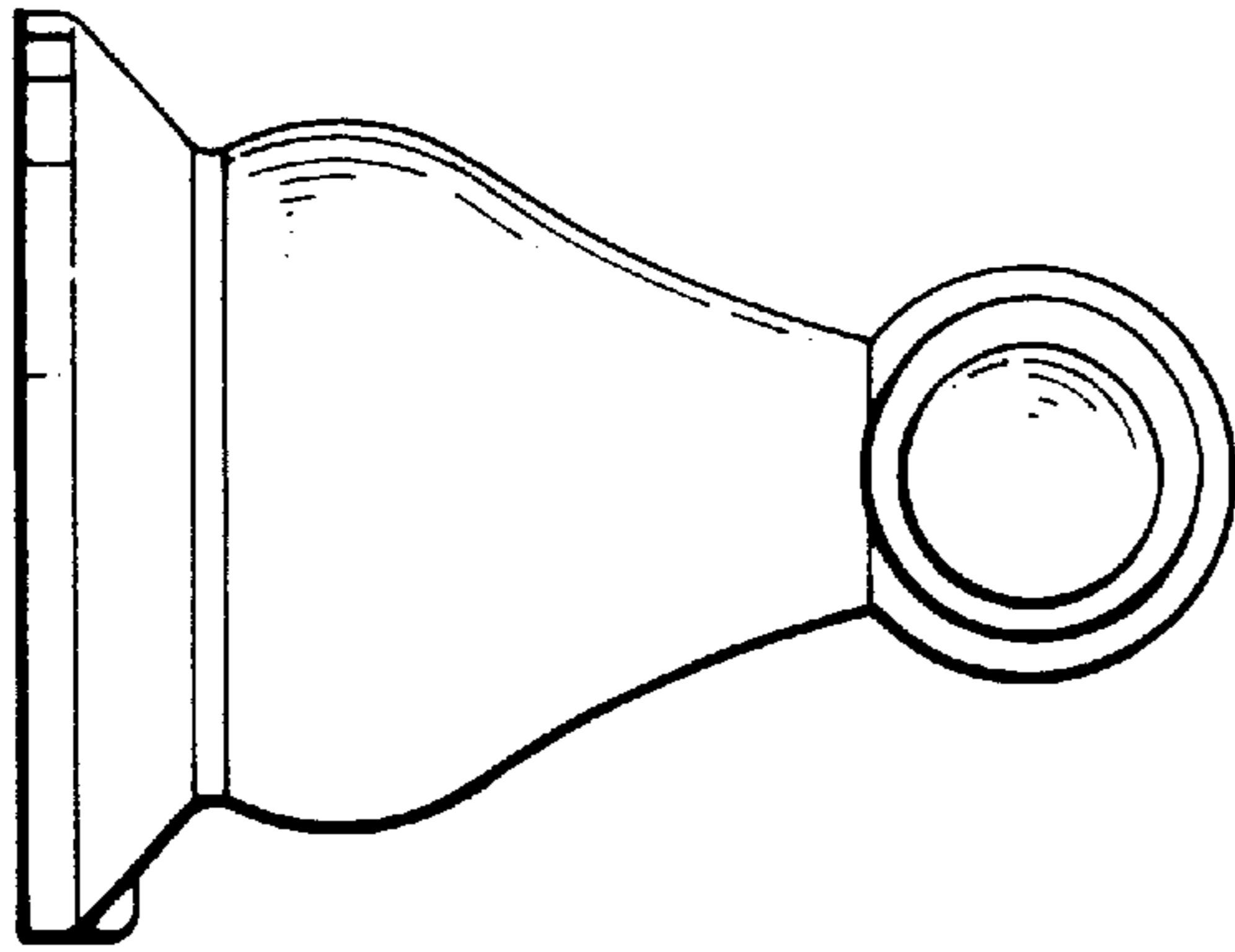




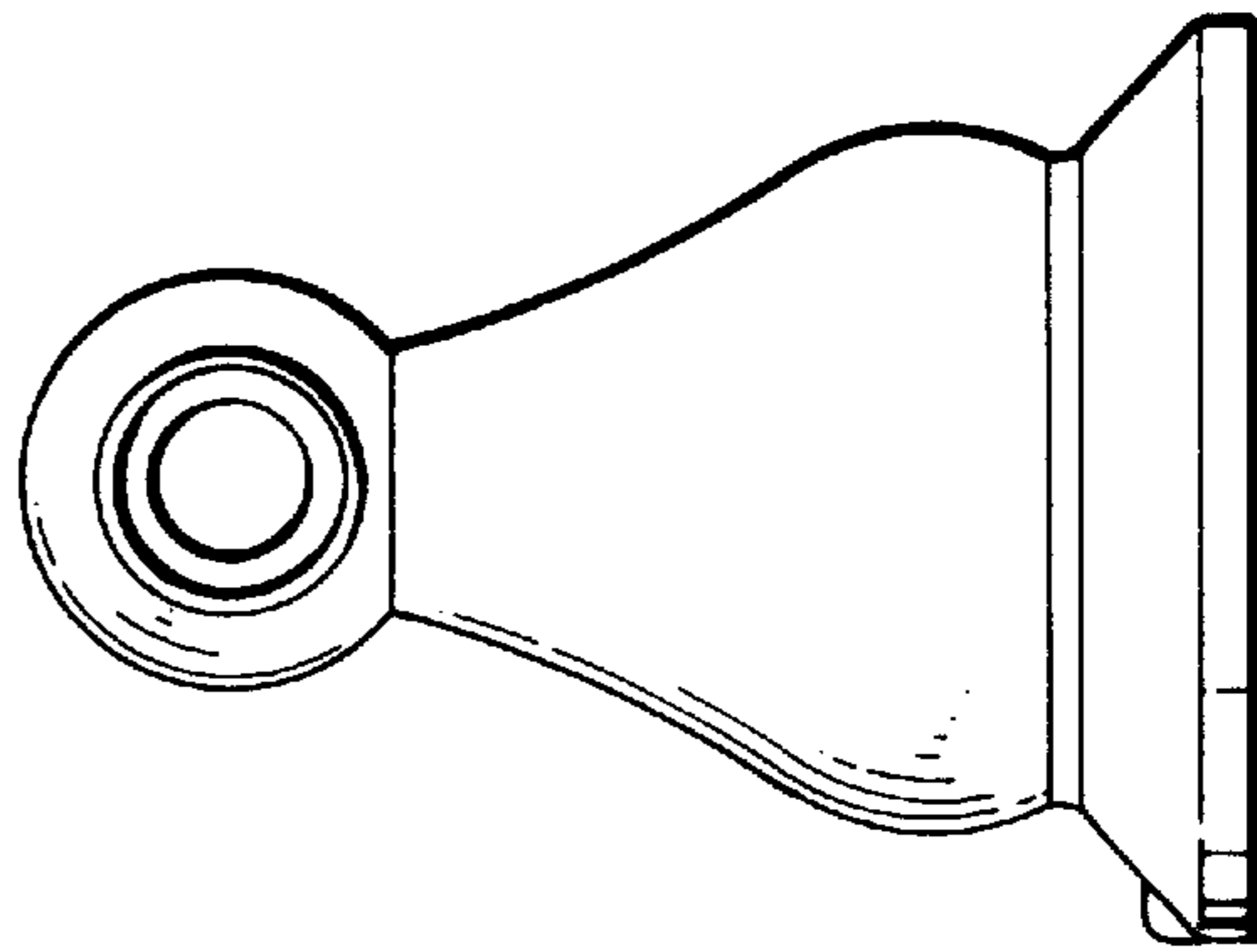
F i g . 1



F i g . 2



F i g . 3



F i g . 4

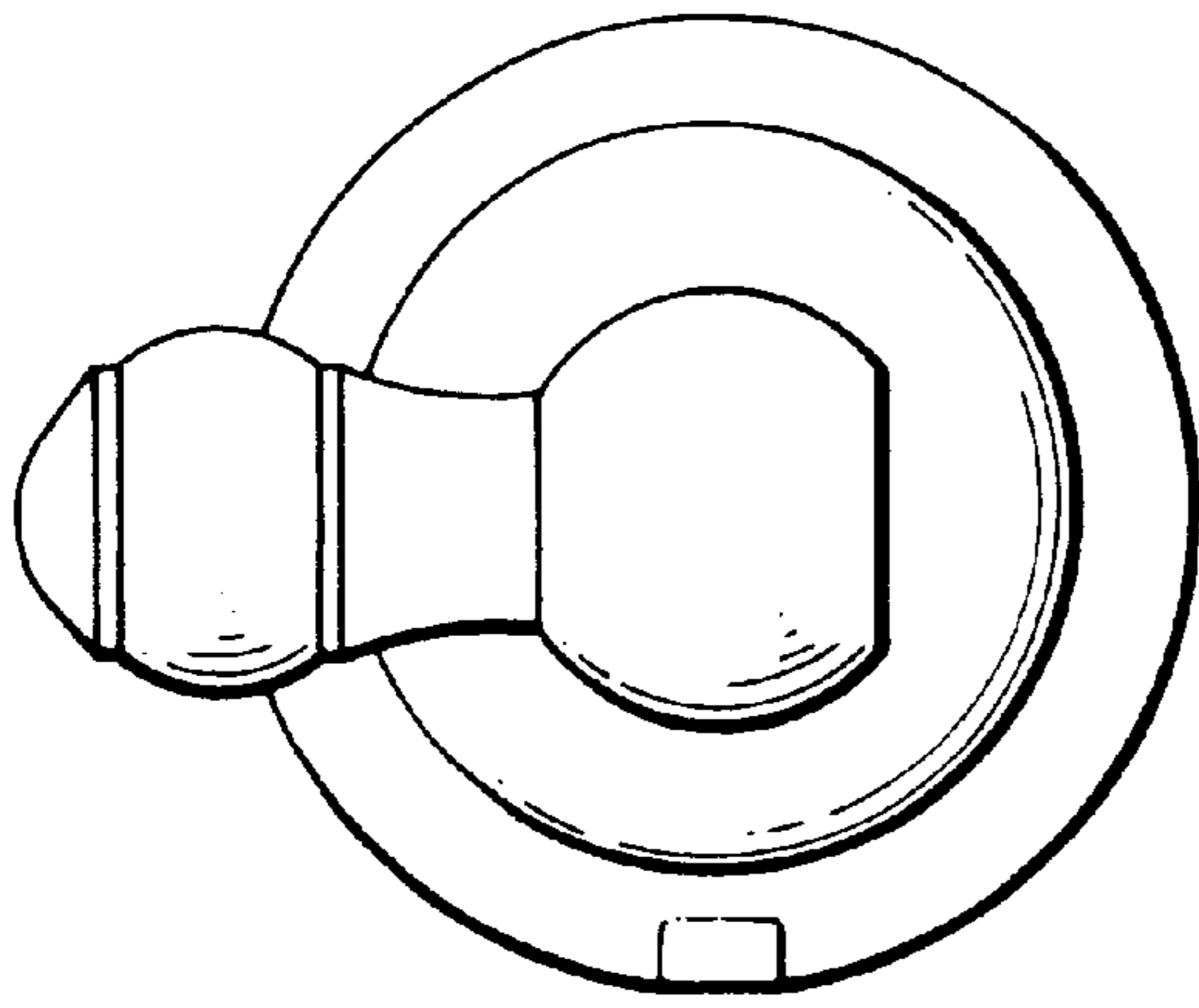


Fig. 5

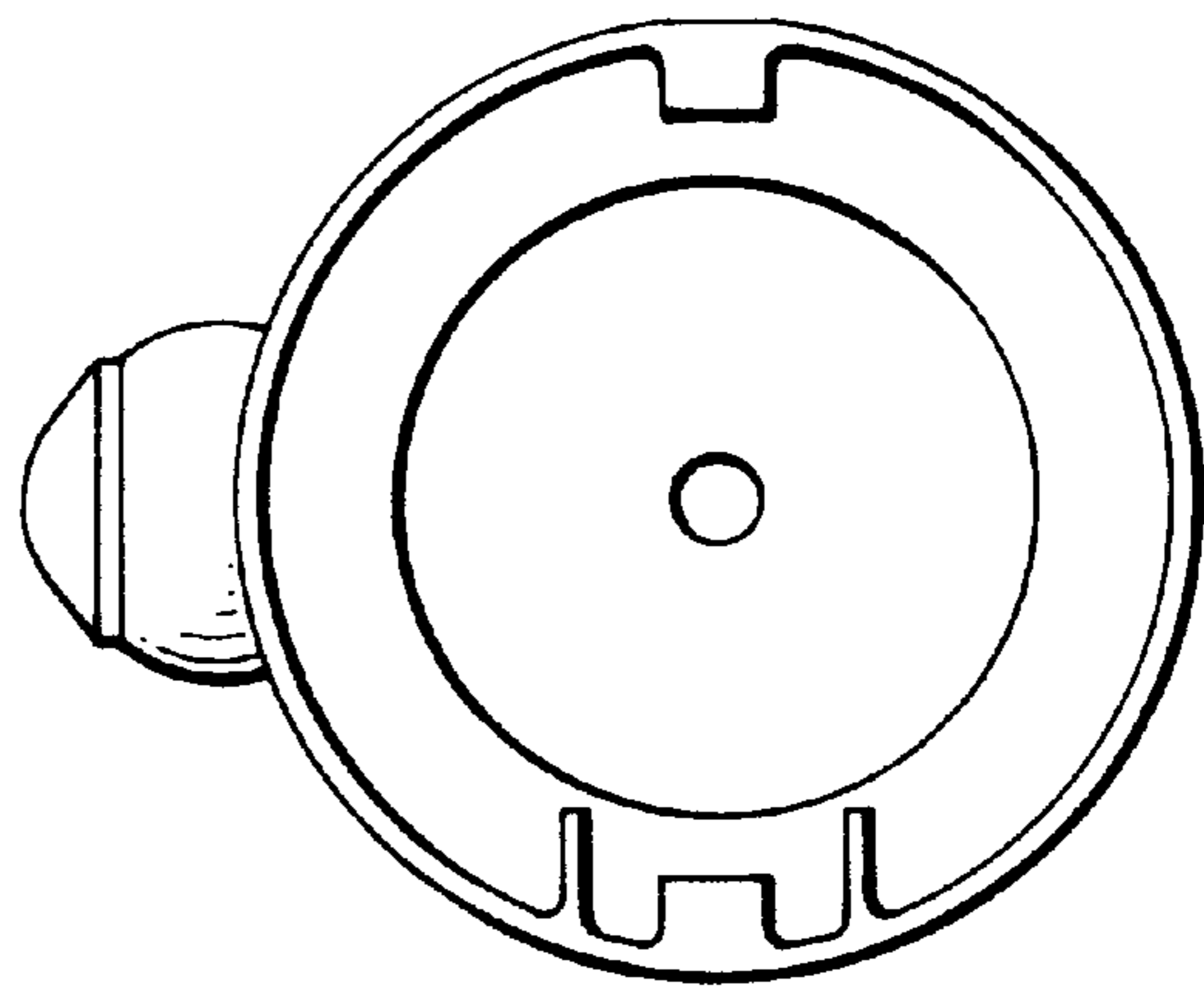


Fig. 6

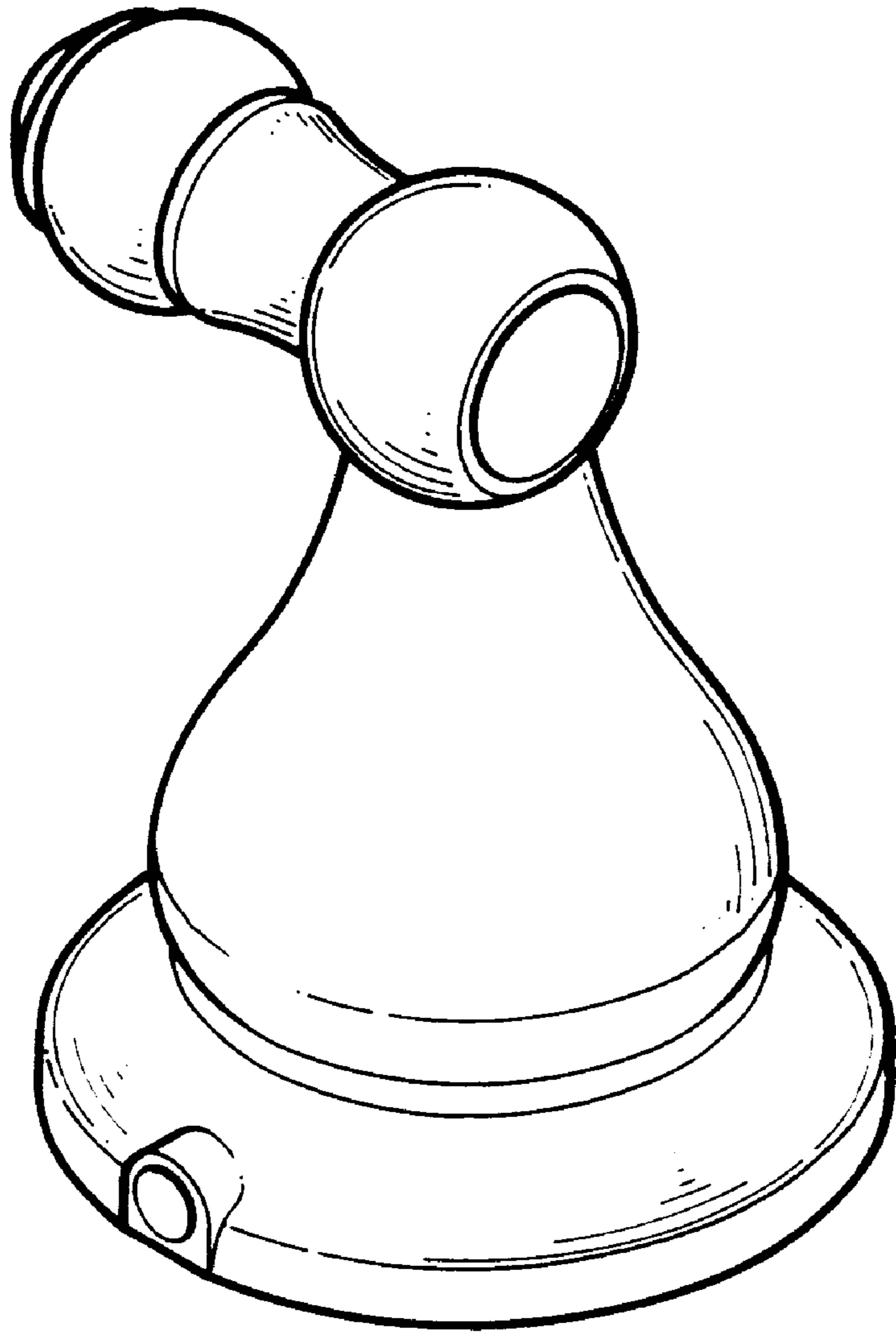


Fig. 7

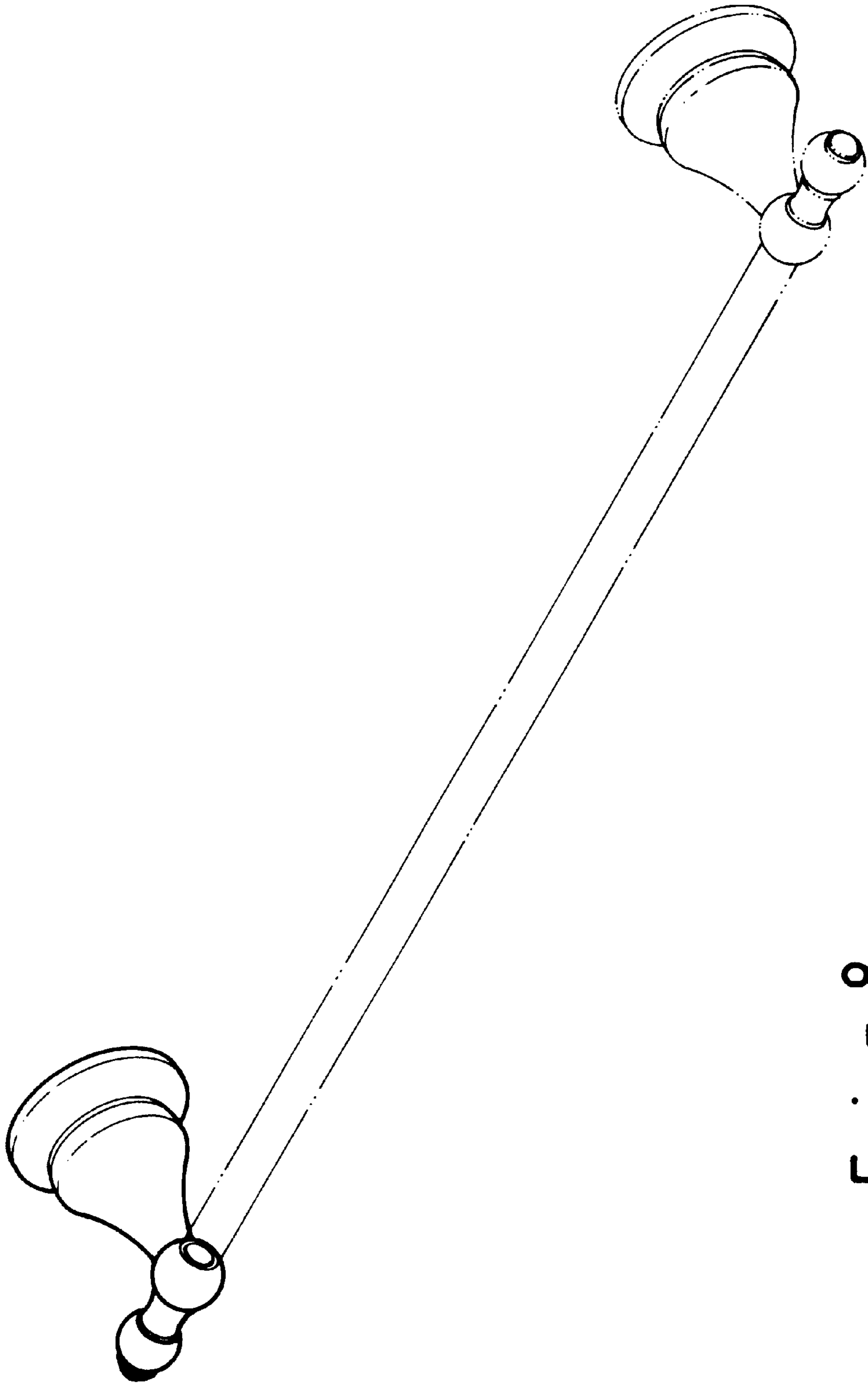


Fig. 8