



US00D417994S

United States Patent [19]

Roth et al.

[11] Patent Number: **Des. 417,994**

[45] Date of Patent: **** Dec. 28, 1999**

[54] TOWEL RING

[75] Inventors: **James Edward Roth**, Los Angeles;
Melinda Jane Shafran, Reseda, both of Calif.

[73] Assignee: **Creative Specialties, Inc.**, Sylmar, Calif.

[**] Term: **14 Years**

[21] Appl. No.: **29/098,655**

[22] Filed: **Jan. 4, 1999**

[51] LOC (6) Cl. **07-07**

[52] U.S. Cl. **D6/546**

[58] Field of Search D6/546, 550, 524;
211/16, 86-87; 248/200, 231.91, 251, 222.1,
224.3

[56] **References Cited**

U.S. PATENT DOCUMENTS

- D. 259,754 7/1981 Fleischmann et al. D6/546
- D. 357,838 5/1995 Lehn et al. D6/546

- D. 360,792 8/1995 Sharpe D6/546
- D. 391,105 2/1998 Sharpe D6/546
- D. 394,574 5/1998 Moore D6/550
- D. 394,973 6/1998 Moore et al. D6/550
- D. 408,188 4/1999 Kuo D6/546 X
- D. 408,669 4/1999 Kuo D6/546 X
- D. 409,030 5/1999 Sweetman D6/546
- 4,907,771 3/1990 Wang 248/222.1

Primary Examiner—Brian N. Vinson
Attorney, Agent, or Firm—Dorn, McEachran, Jambor & Keating

[57] **CLAIM**

The ornamental design for a towel ring, as shown and described.

DESCRIPTION

FIG. 1 is a front view of a towel ring showing our new design;
FIG. 2 is a top view thereof;
FIG. 3 is a right side view thereof, the left side being a mirror image of the right side;
FIG. 4 is a bottom view thereof.

1 Claim, 2 Drawing Sheets

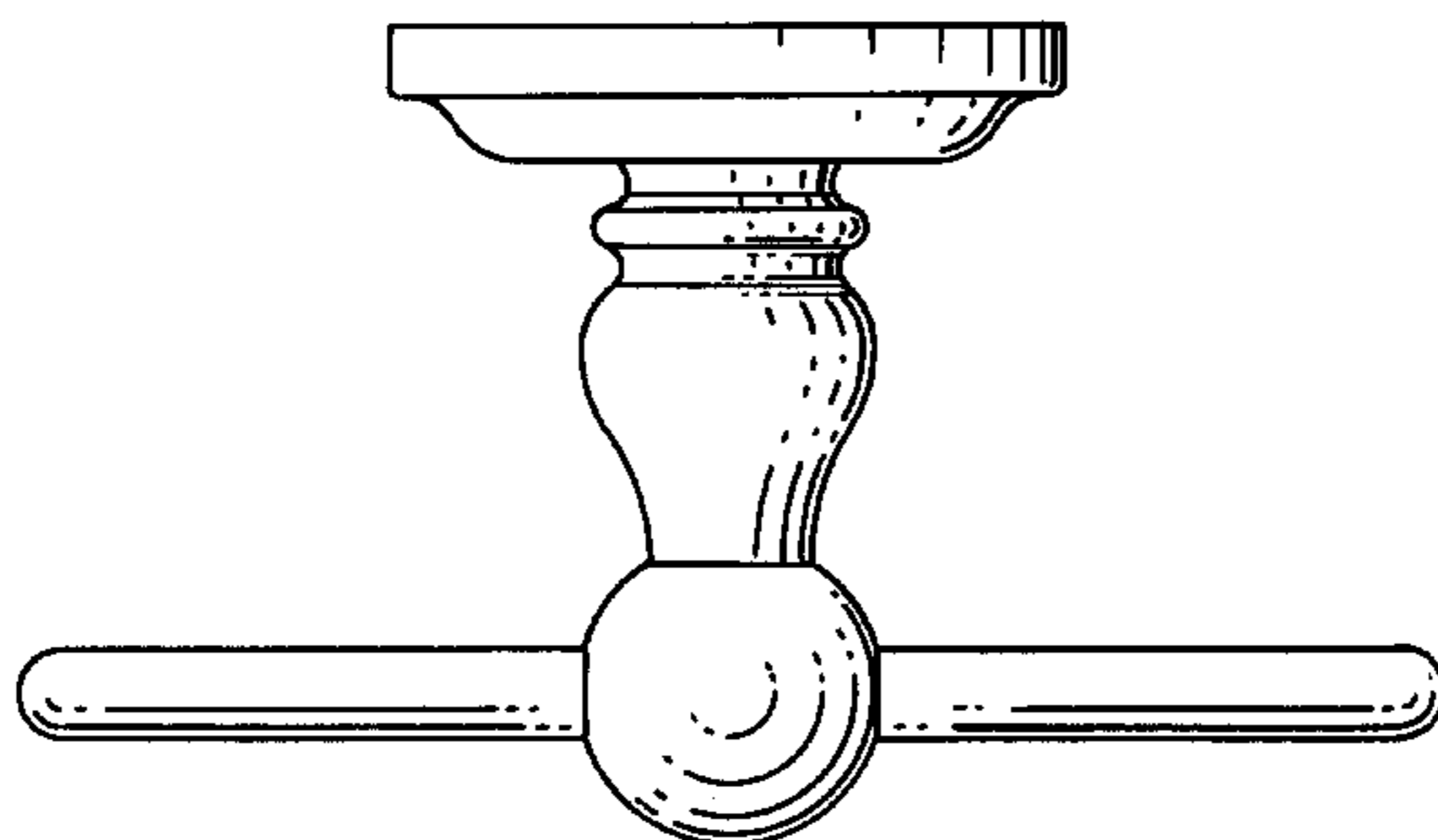
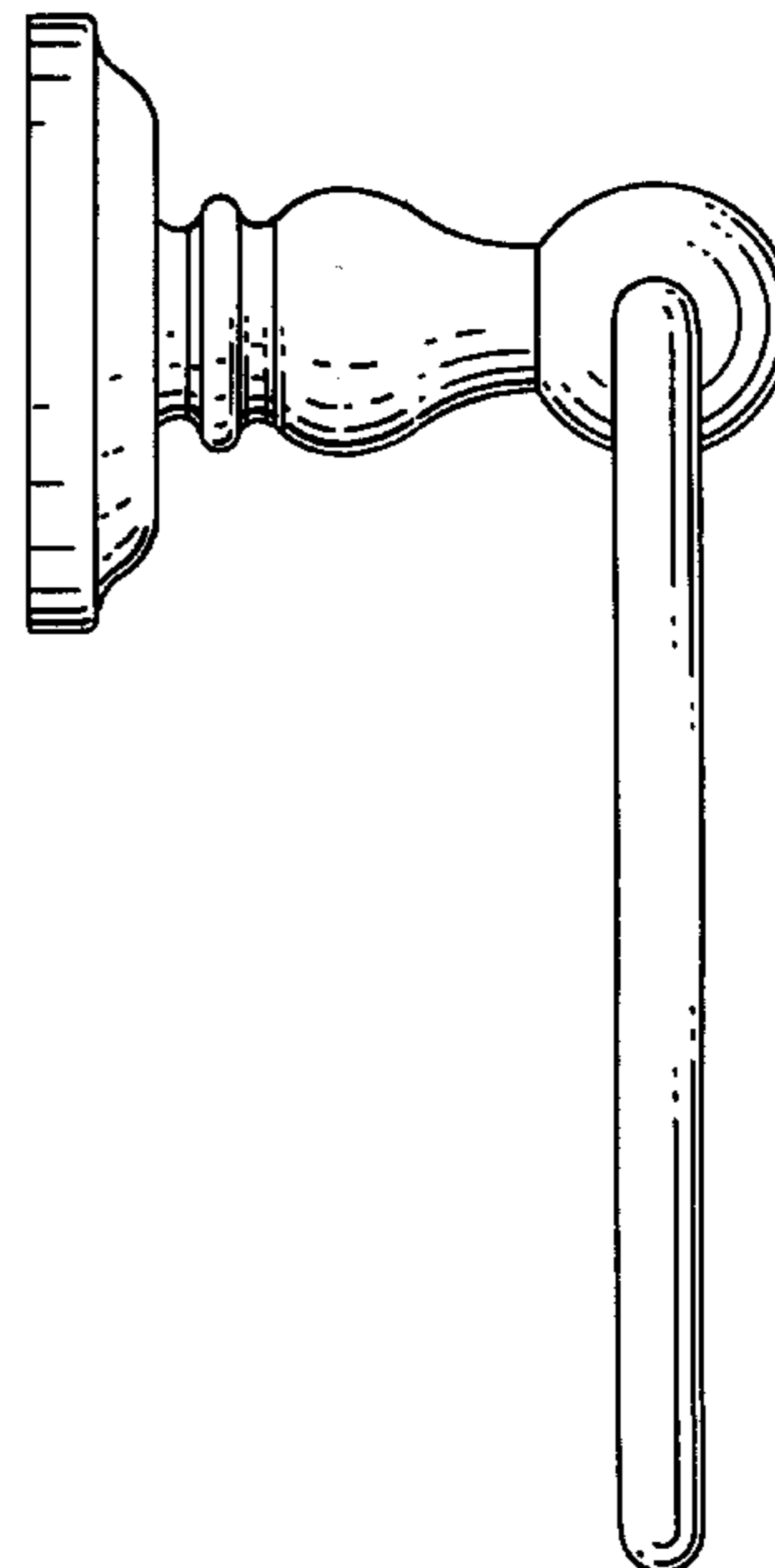
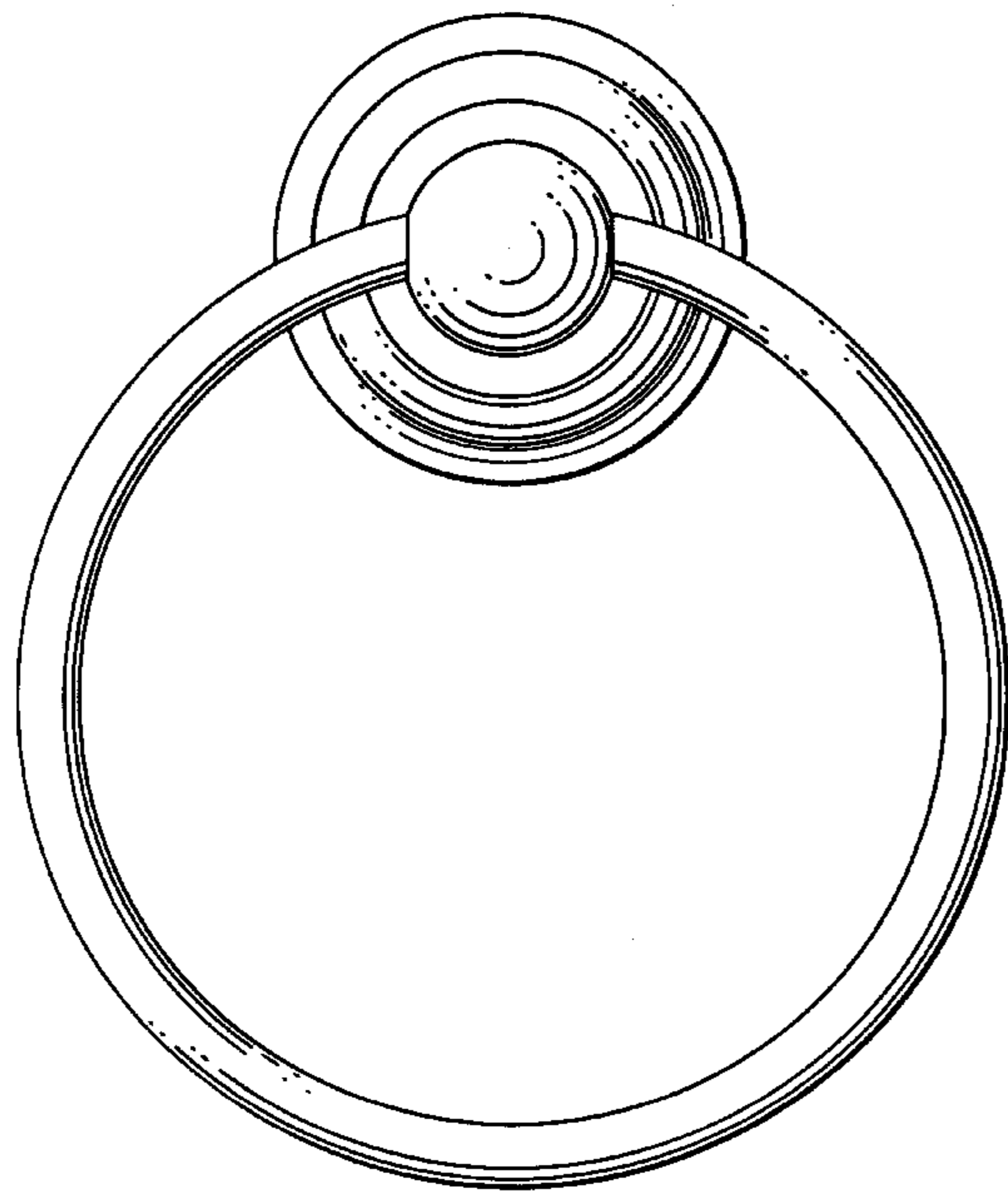


FIG. 1.

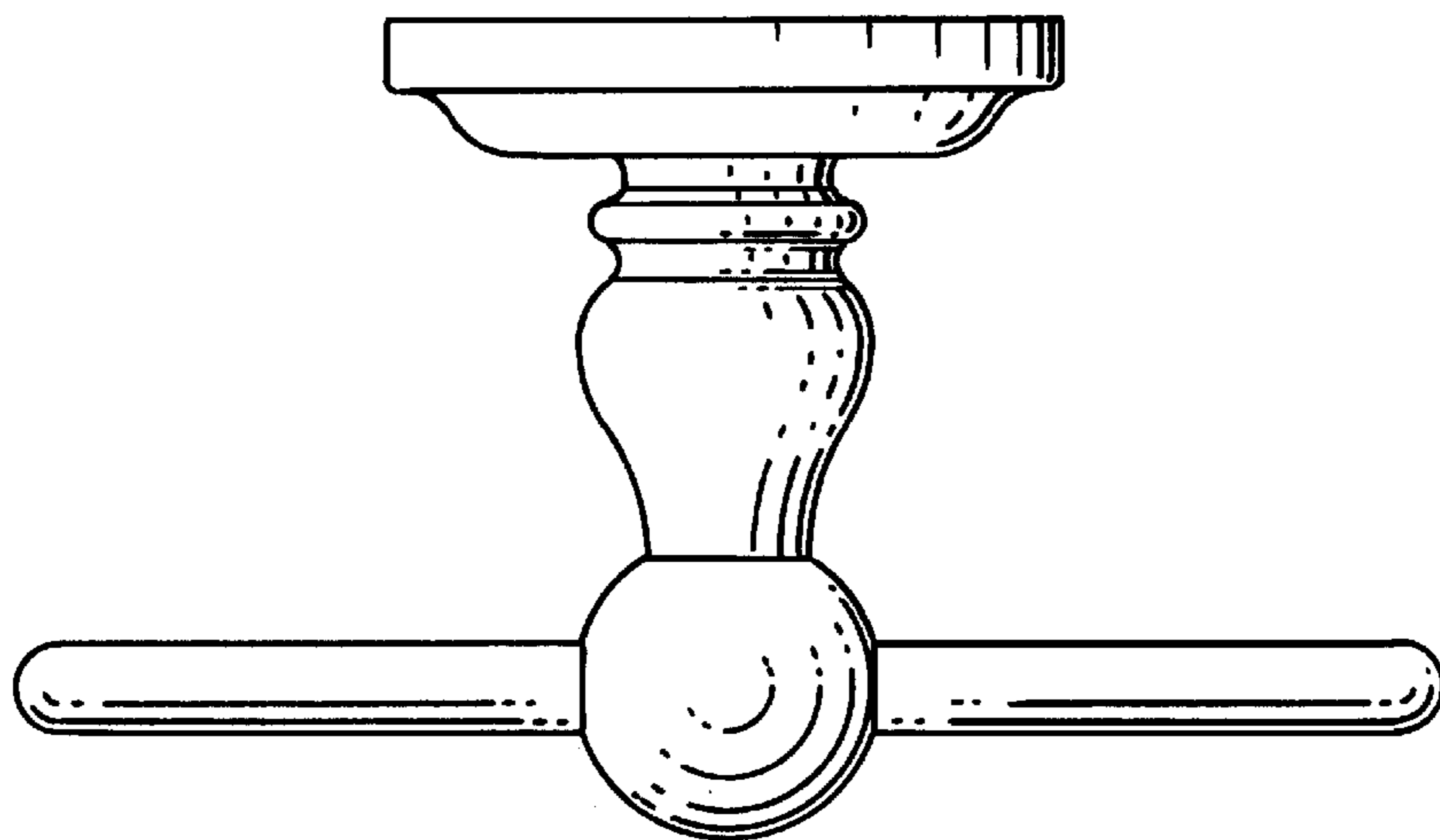
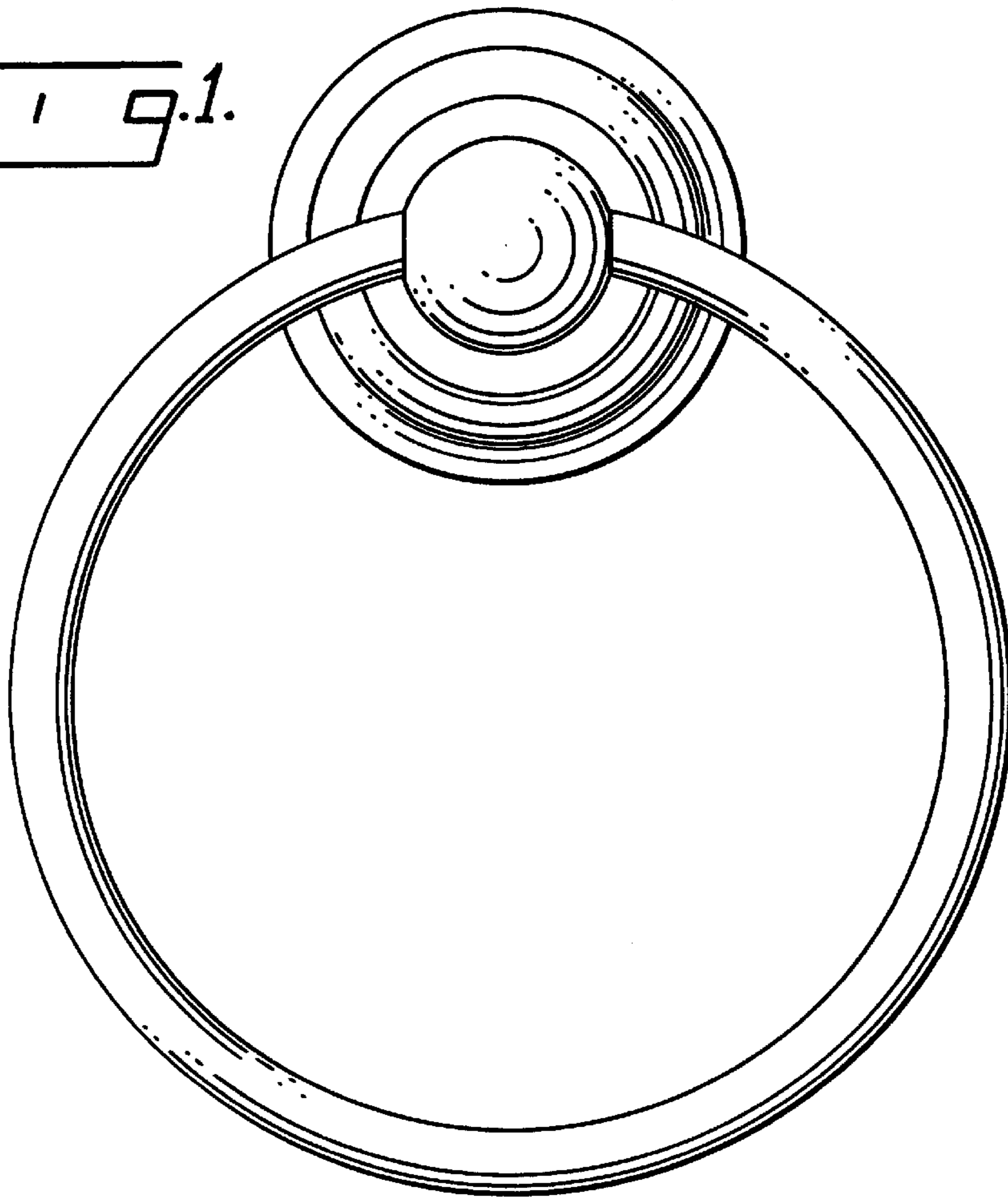


FIG. 2.

