



US00D417991S

# United States Patent [19]

Hofman et al.

[11] Patent Number: **Des. 417,991**

[45] Date of Patent: **\*\* Dec. 28, 1999**

[54] **SHOWER CADDY**

[75] Inventors: **James A. Hofman**, Hockessin, Del.;  
**David Walker**, Chester, Pa.

[73] Assignee: **Zenith Products Corp.**, New Castle,  
Del.

[\*\*] Term: **14 Years**

[21] Appl. No.: **29/091,501**

[22] Filed: **Jul. 30, 1998**

[51] **LOC (6) Cl.** ..... **07-07**

[52] **U.S. Cl.** ..... **D6/525; D6/566; D6/562**

[58] **Field of Search** ..... 211/13.1, 71, 86-90,  
211/106, 126.1, 126.8, 126.9, 134, 181.1,  
182; D6/524, 525, 553, 562, 566-567,  
569-571, 574

[56] **References Cited**

**U.S. PATENT DOCUMENTS**

D. 343,321 1/1994 Emery ..... D6/566

D. 343,439 1/1994 Emery ..... D6/562  
D. 388,642 1/1998 Winter ..... D6/525  
D. 408,185 4/1999 Hofman ..... D6/562

*Primary Examiner*—Brian N. Vinson  
*Attorney, Agent, or Firm*—Edgar A. Zarins; Lloyd D. Doigan

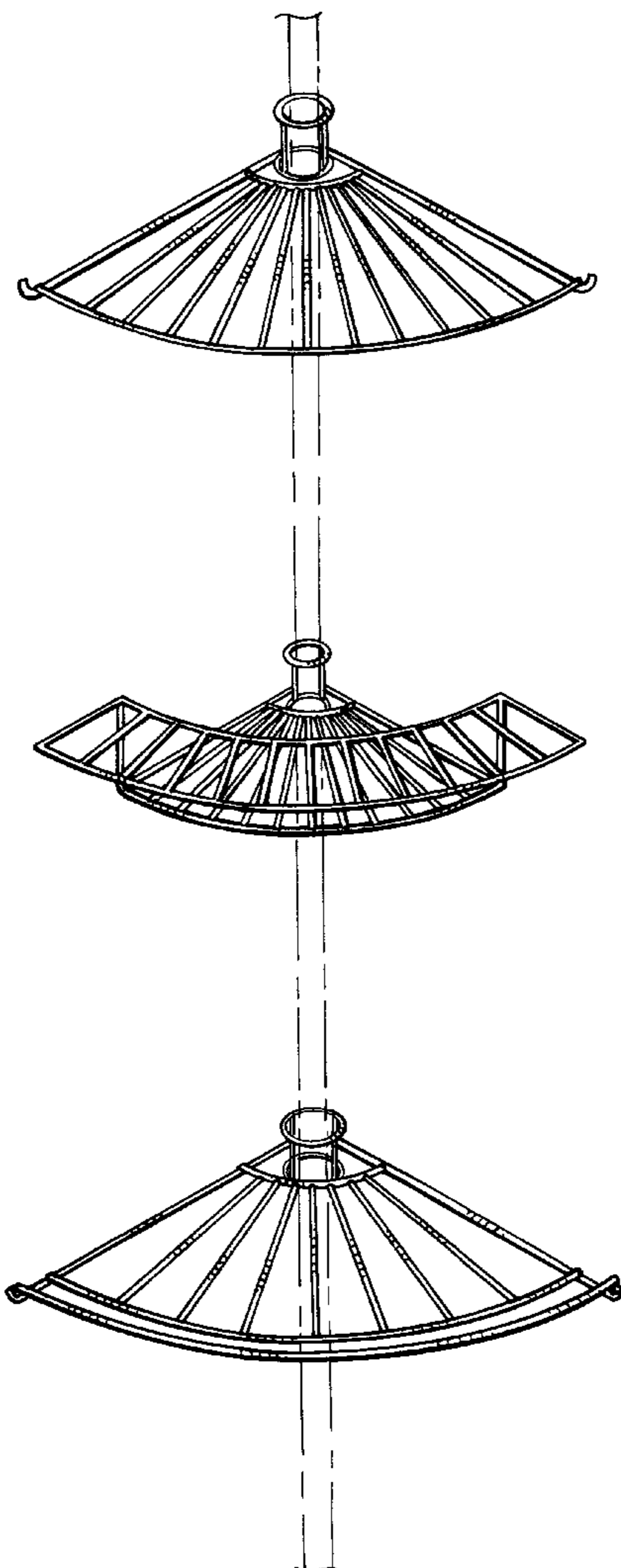
[57] **CLAIM**

The ornamental design for a shower caddy, as shown and described.

**DESCRIPTION**

FIG. 1 is a perspective view of a shower caddy showing my our design;  
FIG. 2 is a side view thereof, the opposite side being a mirror image of the side shown;  
FIG. 3 is a front elevational view thereof;  
FIG. 4 is a top plan view thereof; and,  
FIG. 5 is a bottom plan view thereof.

**1 Claim, 4 Drawing Sheets**



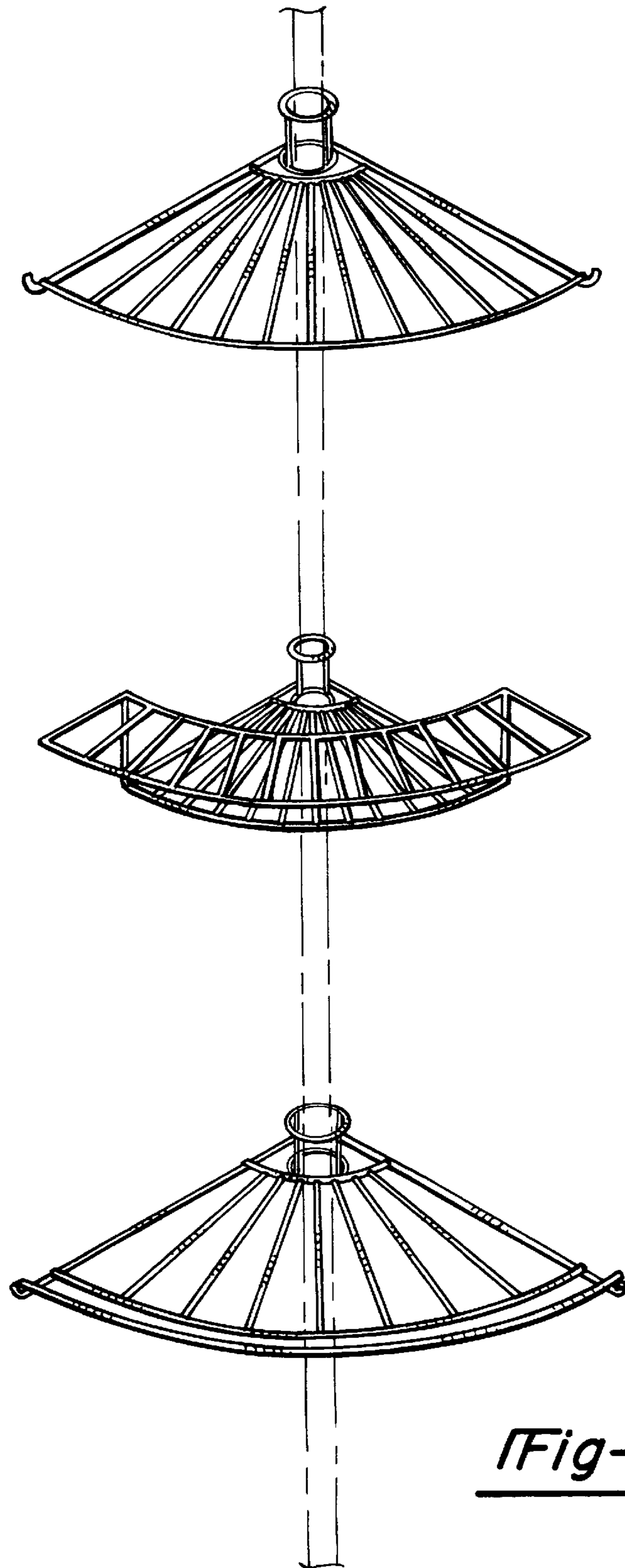


Fig-1

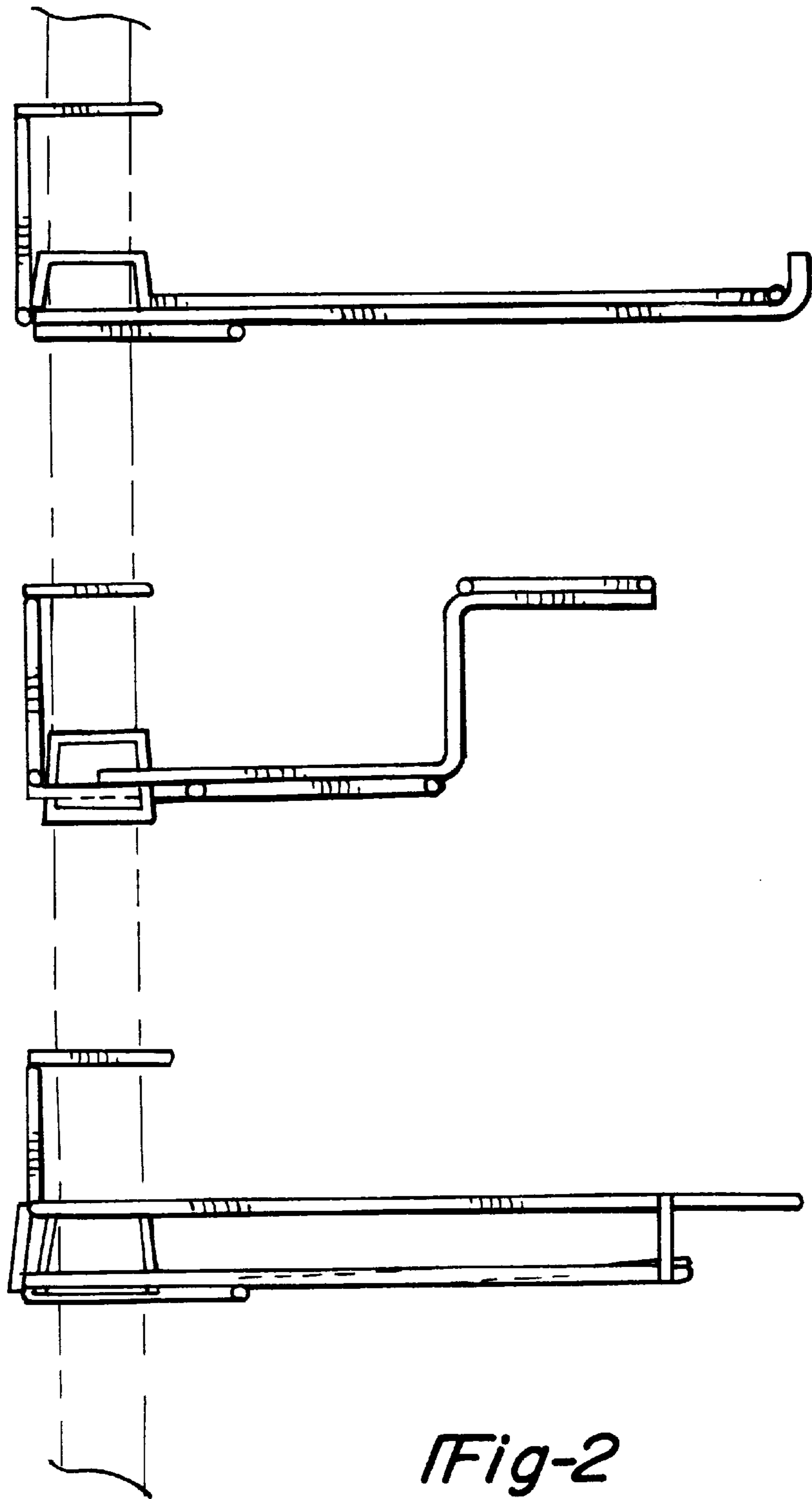


Fig-2

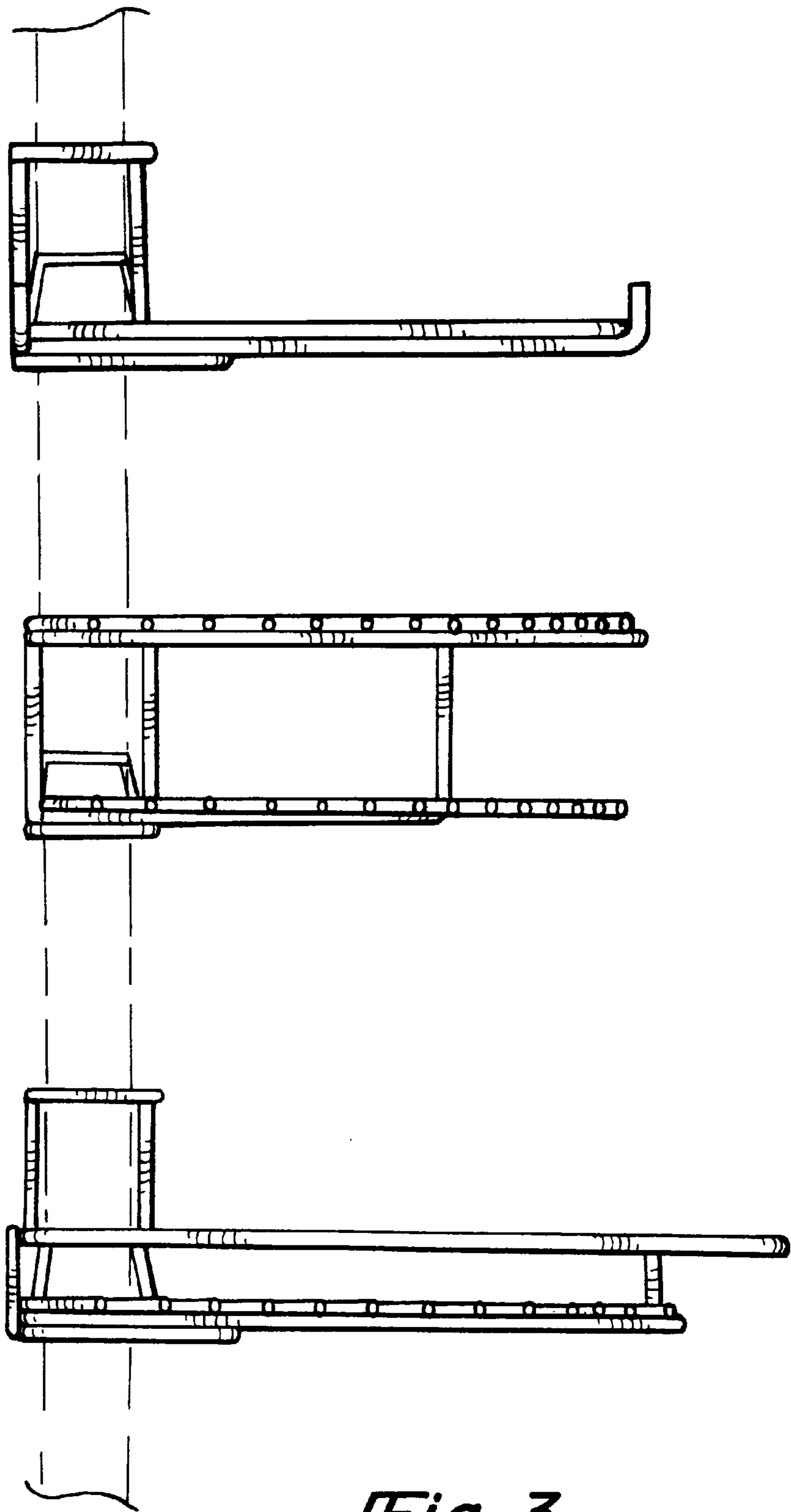


Fig-3

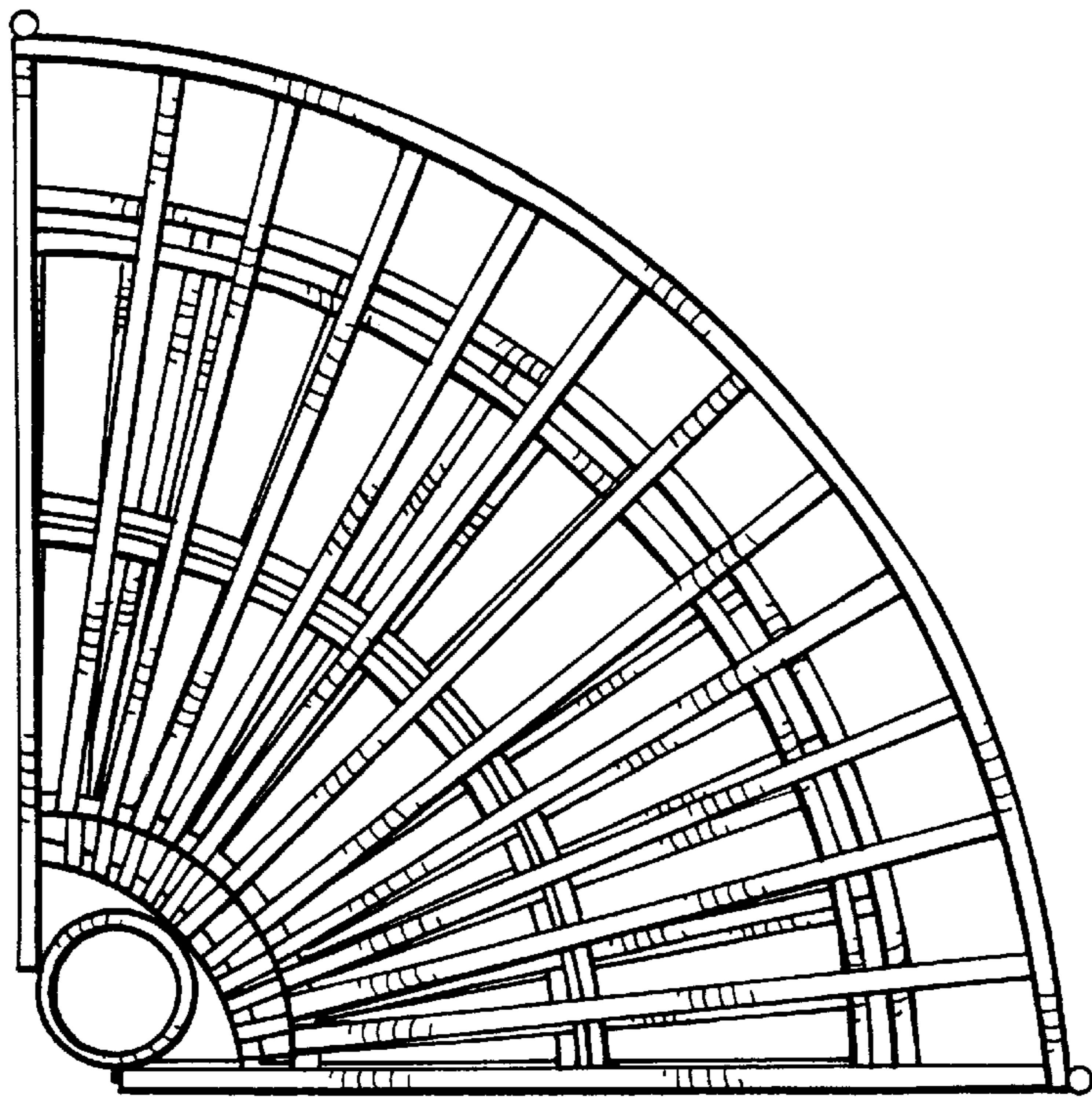


Fig-4

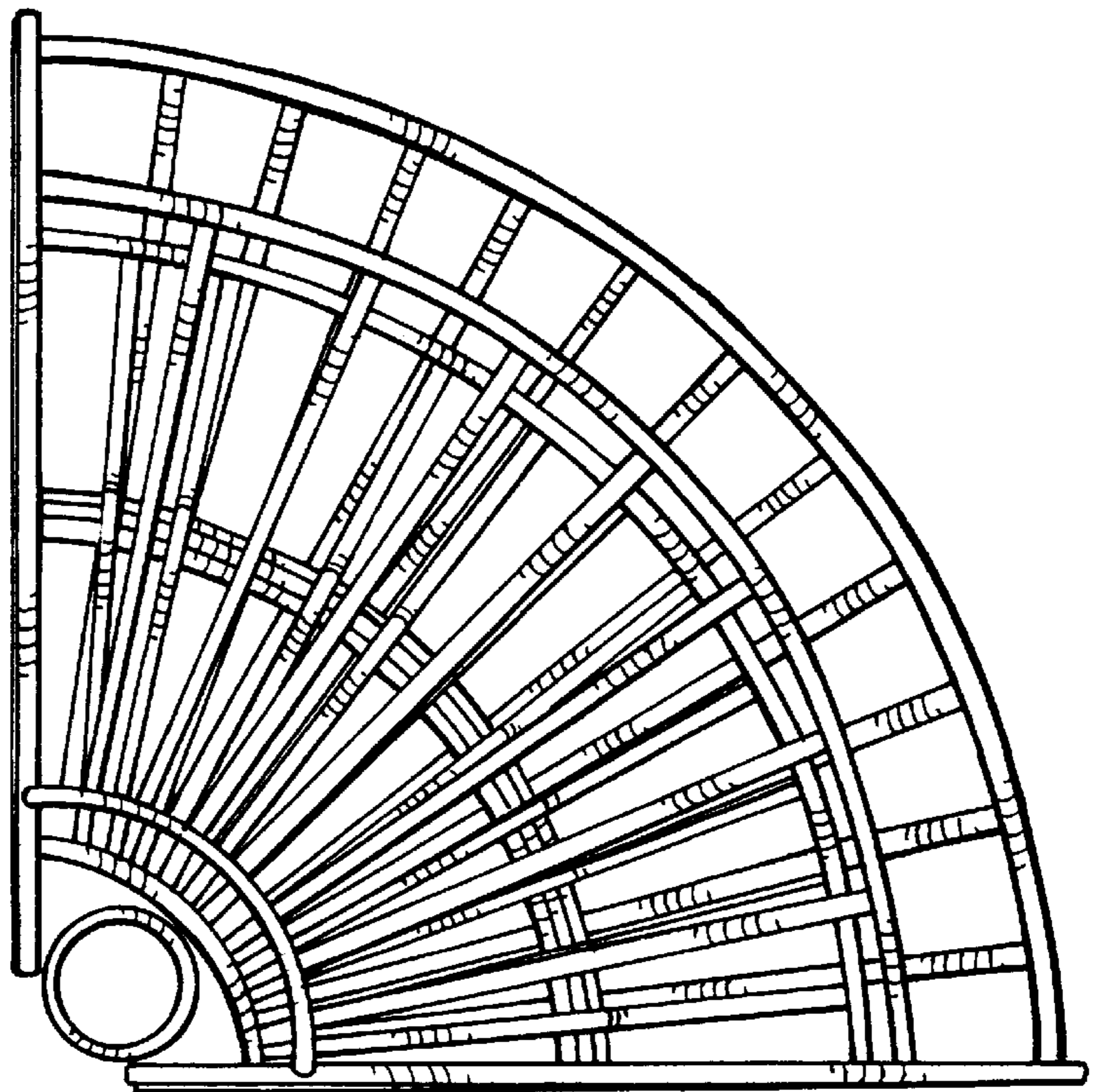


Fig-5