



US00D417990S

# United States Patent [19] Yemini

[11] **Patent Number: Des. 417,990**

[45] **Date of Patent: \*\* Dec. 28, 1999**

[54] **SHOWER CADDY**

[75] Inventor: **Zvi Yemini**, Tel Aviv, Israel

[73] Assignee: **Zenith Products Corp.**, New Castle, Del.

[\*\*] Term: **14 Years**

[21] Appl. No.: **29/089,661**

[22] Filed: **Jun. 19, 1998**

D. 309,225	7/1990	Scarbro	.....	D6/525
D. 349,002	7/1994	Greger	.....	D6/525
D. 382,750	8/1997	Andrus	.....	D6/525
D. 392,484	3/1998	Yemini	.....	D6/525
D. 404,948	2/1999	Yemini	.....	D6/525

*Primary Examiner*—Brian N. Vinson  
*Attorney, Agent, or Firm*—Edgar A. Zarins; Lloyd D. Doigan

### Related U.S. Application Data

[62] Division of application No. 29/065,691, Jan. 24, 1997.

[51] **LOC (6) Cl.** ..... **07-07**

[52] **U.S. Cl.** ..... **D6/525**

[58] **Field of Search** ..... D6/524, 525; 211/13.1,  
211/86-88, 90, 126.1, 134

### References Cited

#### U.S. PATENT DOCUMENTS

D. 293,183	12/1987	Aaron	.....	D6/525
D. 298,990	12/1988	Chap	.....	D6/309

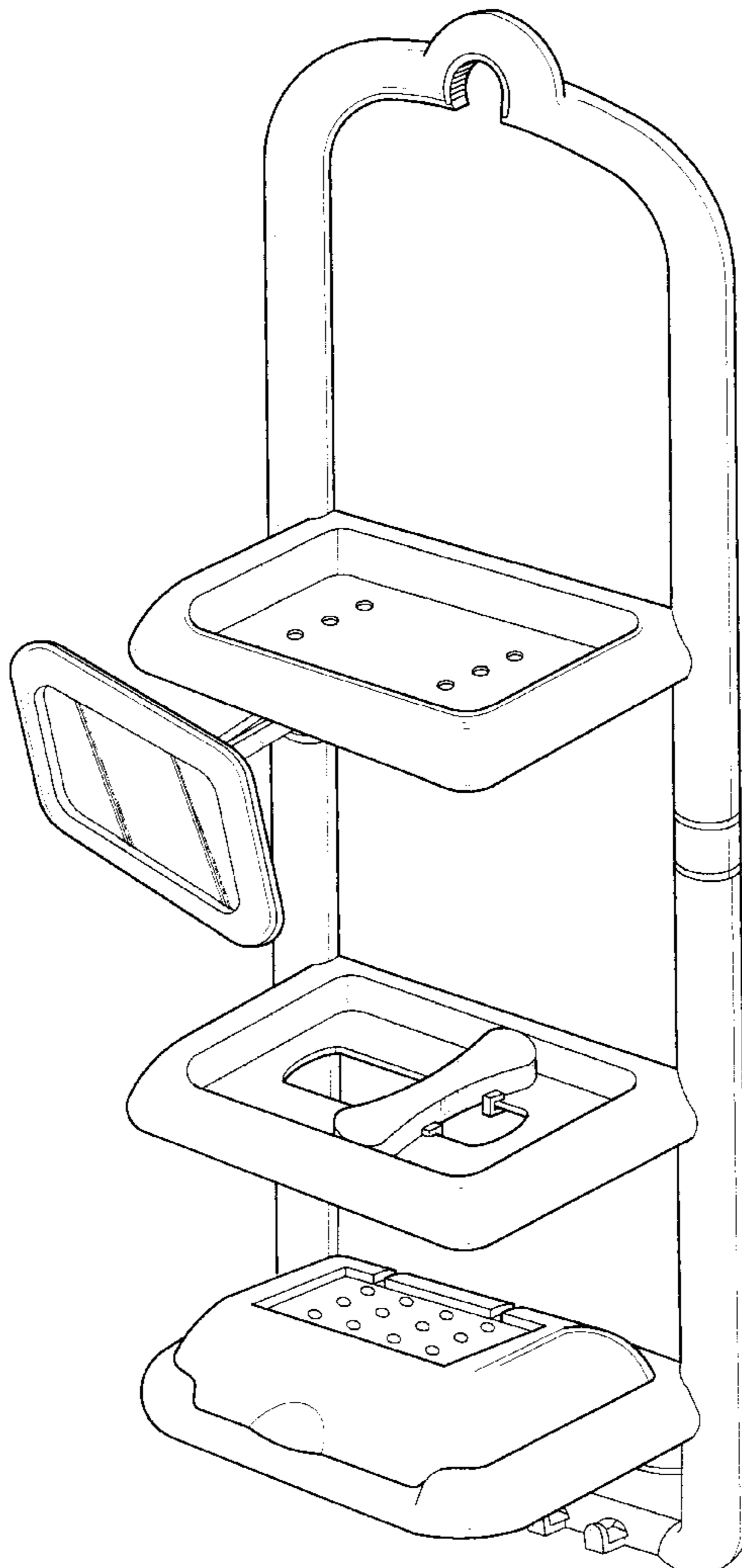
### CLAIM

The ornamental design for a shower caddy, as shown and described.

### DESCRIPTION

FIG. 1 is a perspective view of a shower caddy showing my new design;  
FIG. 2 is a front elevational view thereof;  
FIG. 3 is a rear elevational view thereof;  
FIG. 4 is a top plan view thereof;  
FIG. 5 is a bottom plan view thereof;  
FIG. 6 is a left side view thereof; and,  
FIG. 7 is a right side view thereof.

**1 Claim, 3 Drawing Sheets**



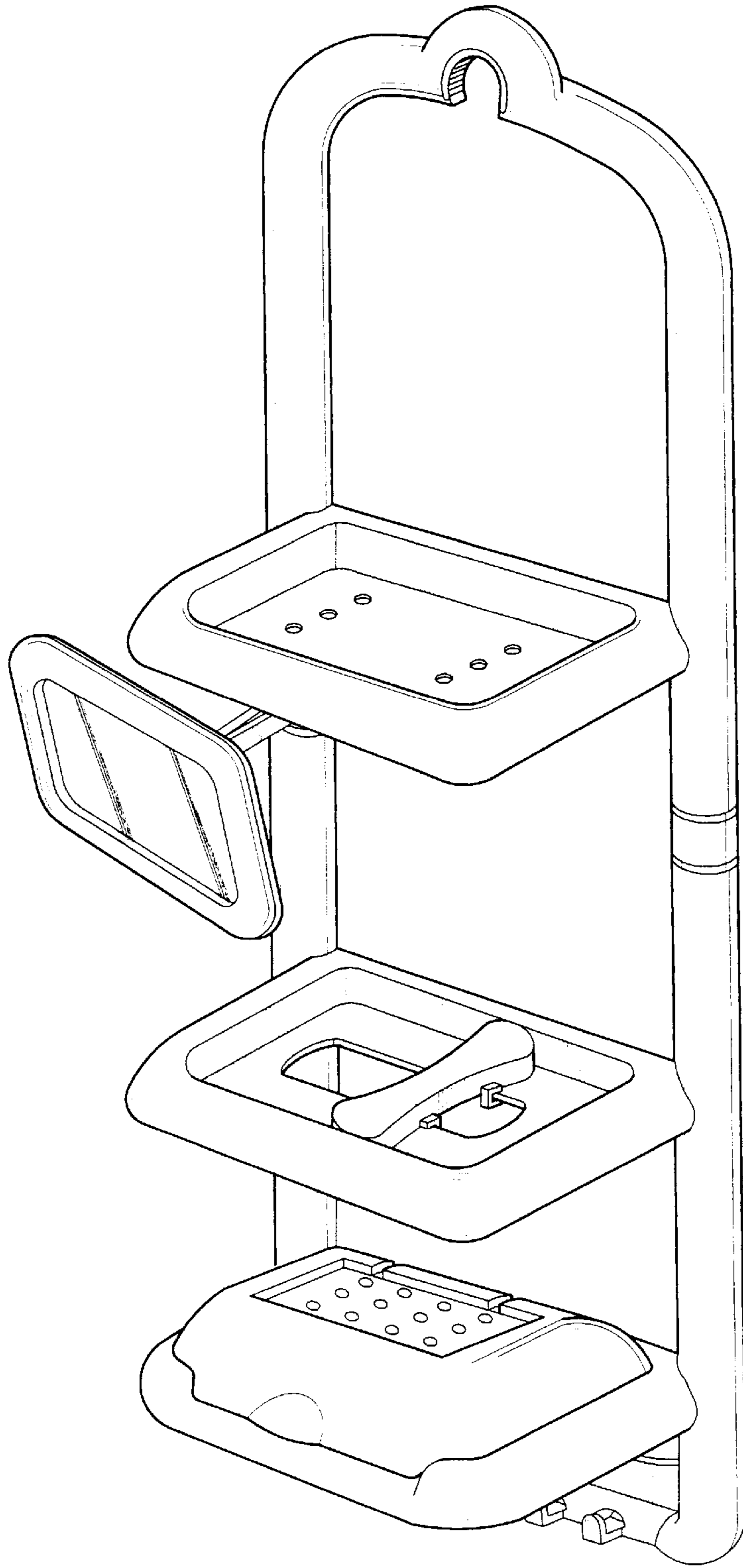


Fig-1

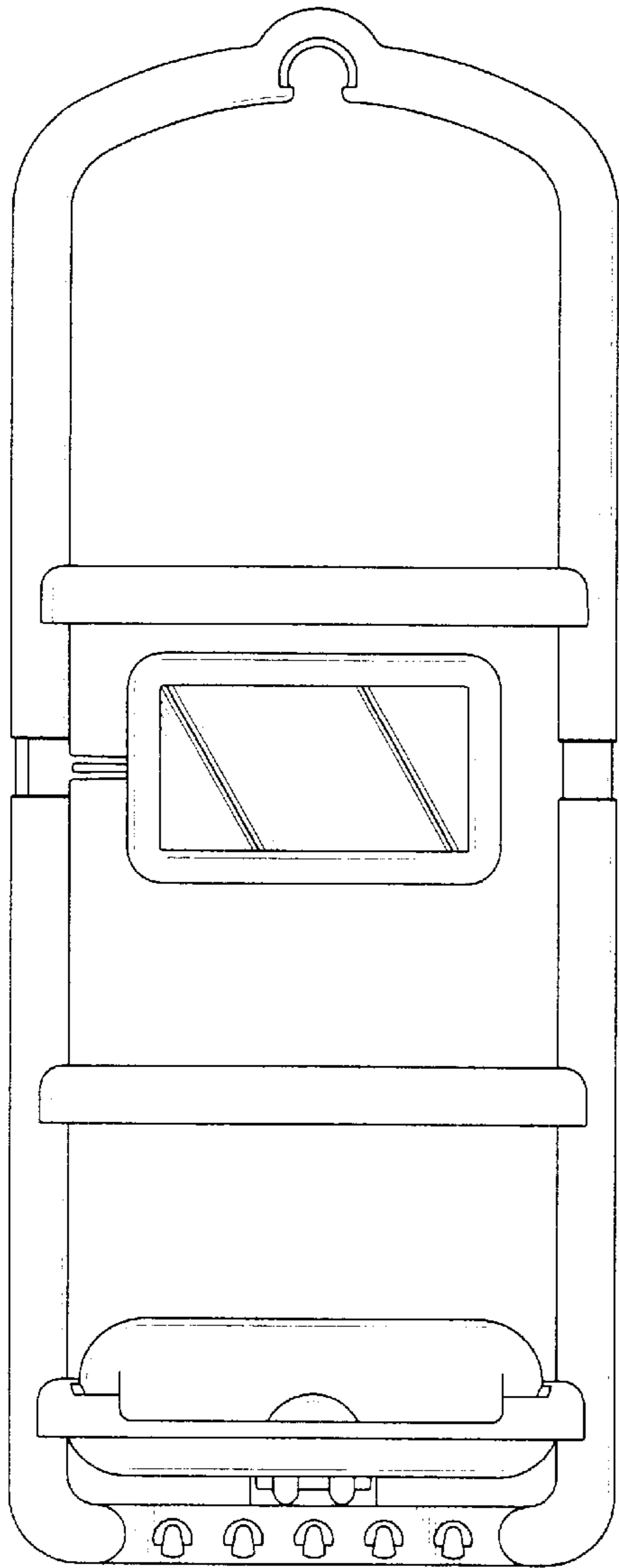


Fig-2

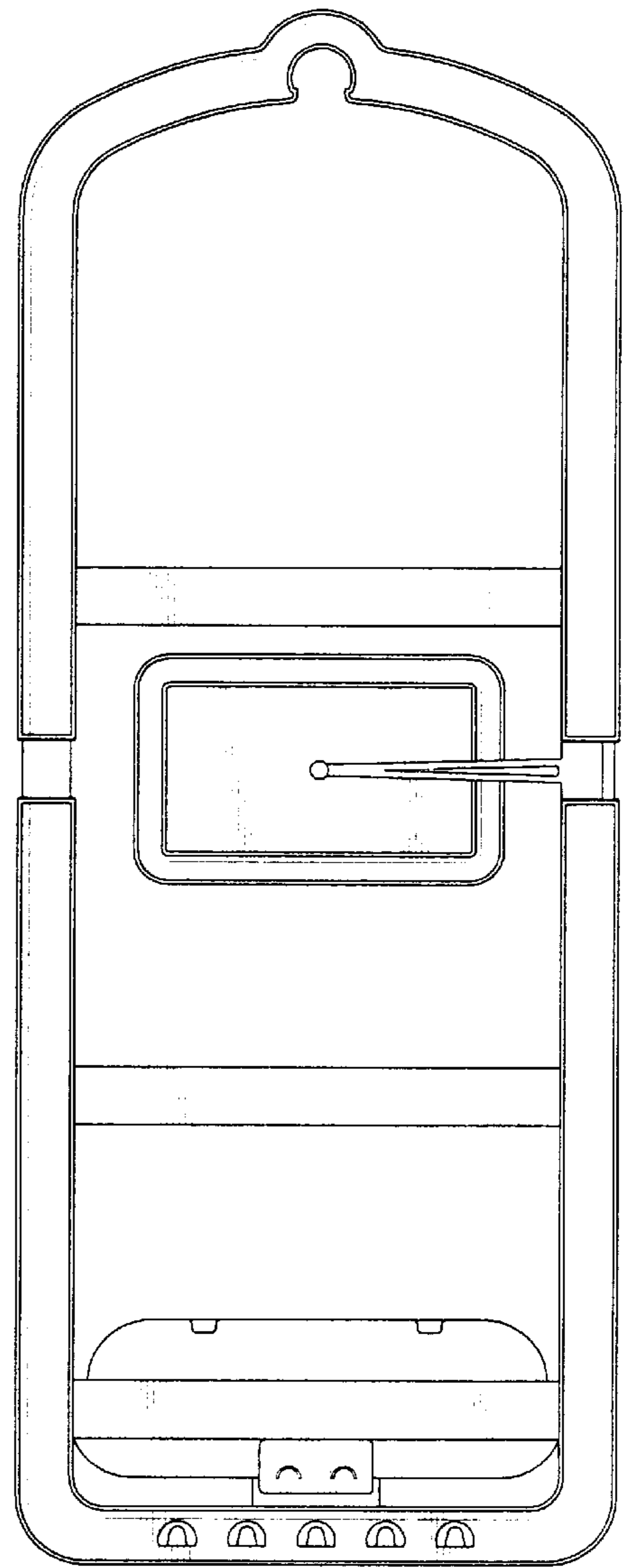


Fig-3

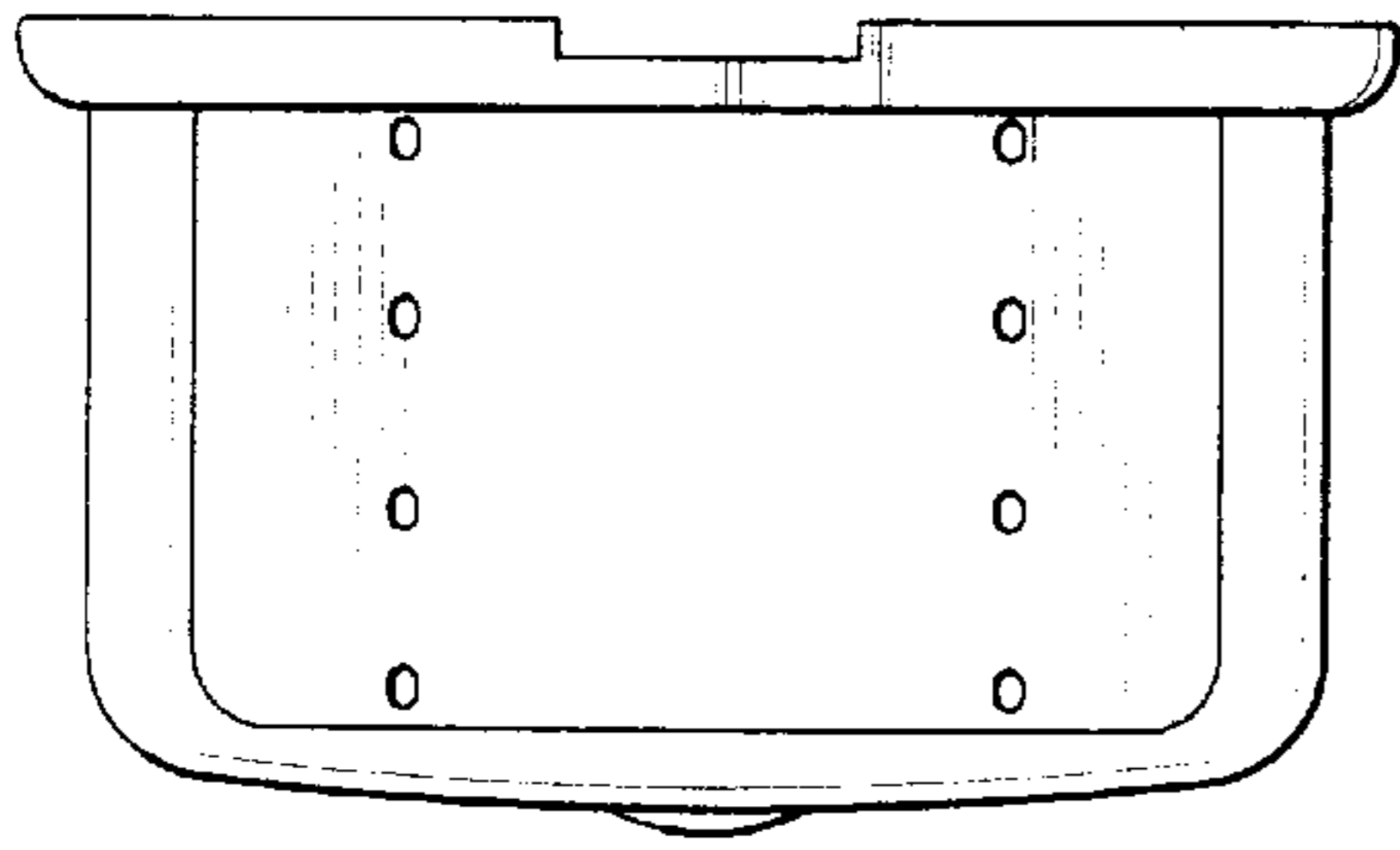


Fig-4

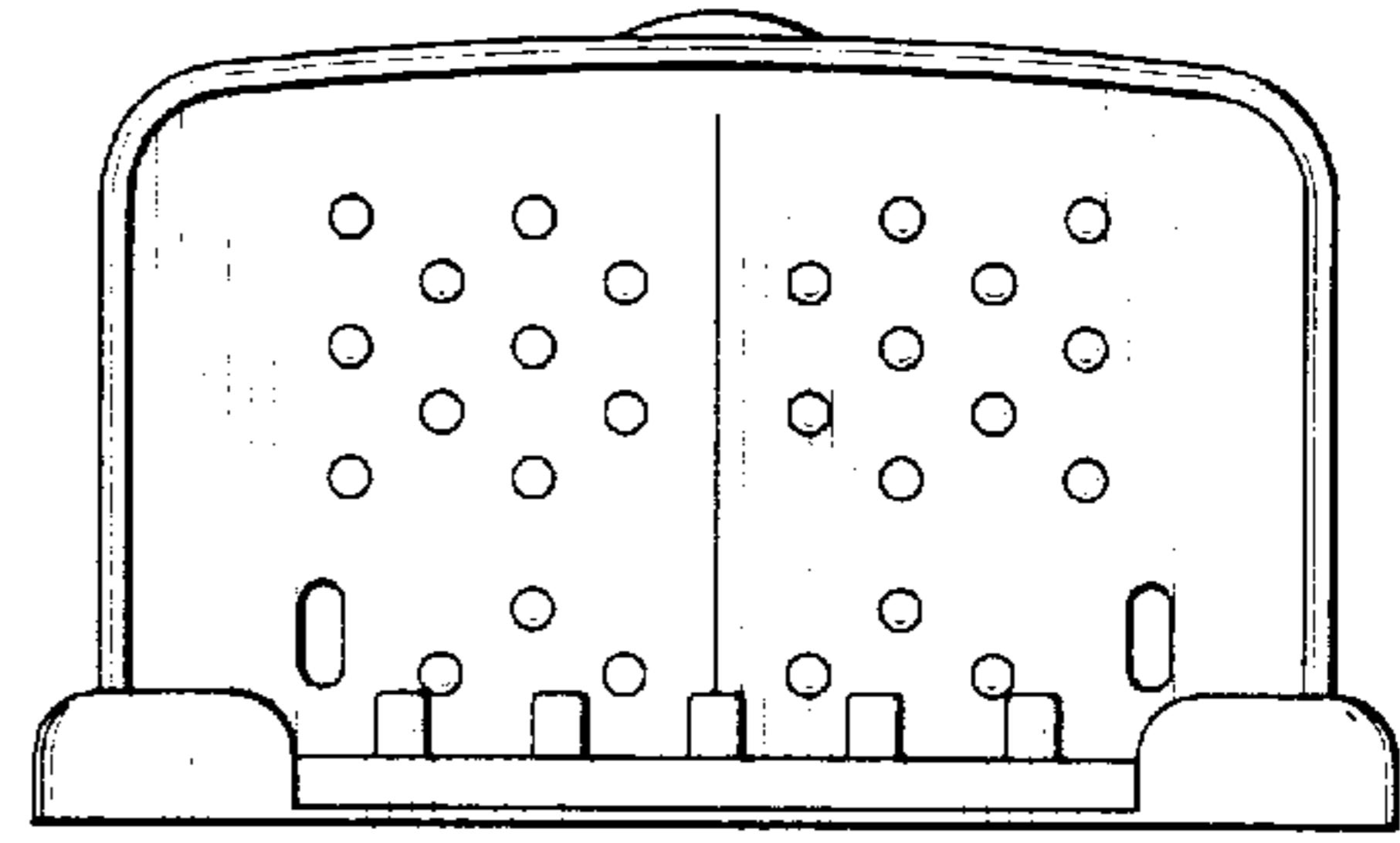


Fig-5

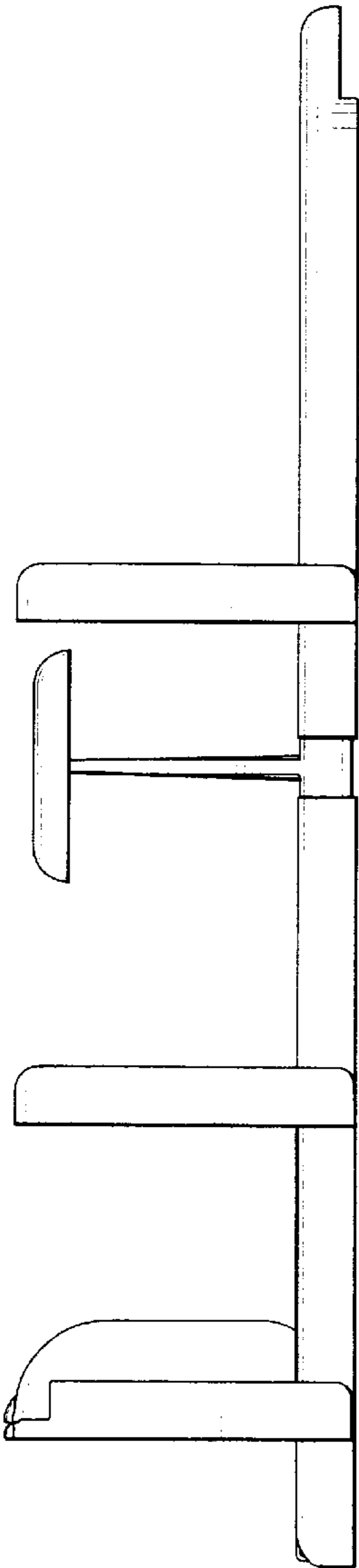


Fig-6

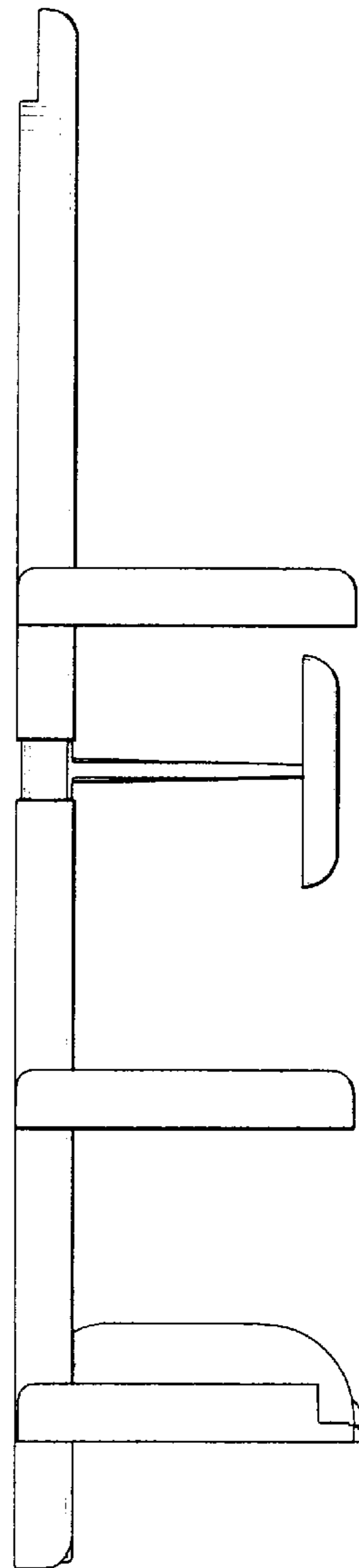


Fig-7