



US00D417988S

United States Patent [19]
Zager

[11] **Patent Number: Des. 417,988**

[45] **Date of Patent: ** Dec. 28, 1999**

[54] **PAPER TOWEL DISPENSER**

[76] **Inventor: Raymond Zager**, 3010 Old Barn Rd.,
P.O. Box 3657, Ponte Vedra Beach, Fla.
32004

[**] **Term: 14 Years**

[21] **Appl. No.: 29/088,622**

[22] **Filed: May 28, 1998**

[51] **LOC (6) Cl. 06-02**

[52] **U.S. Cl. D6/522**

[58] **Field of Search** D6/518-540; D9/332,
D9/414, 425; D3/30.1, 30.5, 51, 78, 105;
206/405; 221/28, 92, 123, 124

[56] **References Cited**

U.S. PATENT DOCUMENTS

D. 301,979 7/1989 Britz et al. D6/520

Primary Examiner—Marcus A. Jackson
Attorney, Agent, or Firm—Arthur G. Yeager

[57] **CLAIM**

The ornamental design of the paper towel dispenser, substantially as shown and described.

DESCRIPTION

FIG. 1 is a front perspective view of the paper towel dispenser in accord with a first embodiment of my new design;

FIG. 2 is a front elevational view thereof;

FIG. 3 is a rear exploded perspective view thereof;

FIG. 4 is a rear elevational view thereof;

FIG. 5 is a rear exploded perspective view in accord with a second embodiment of my new design;

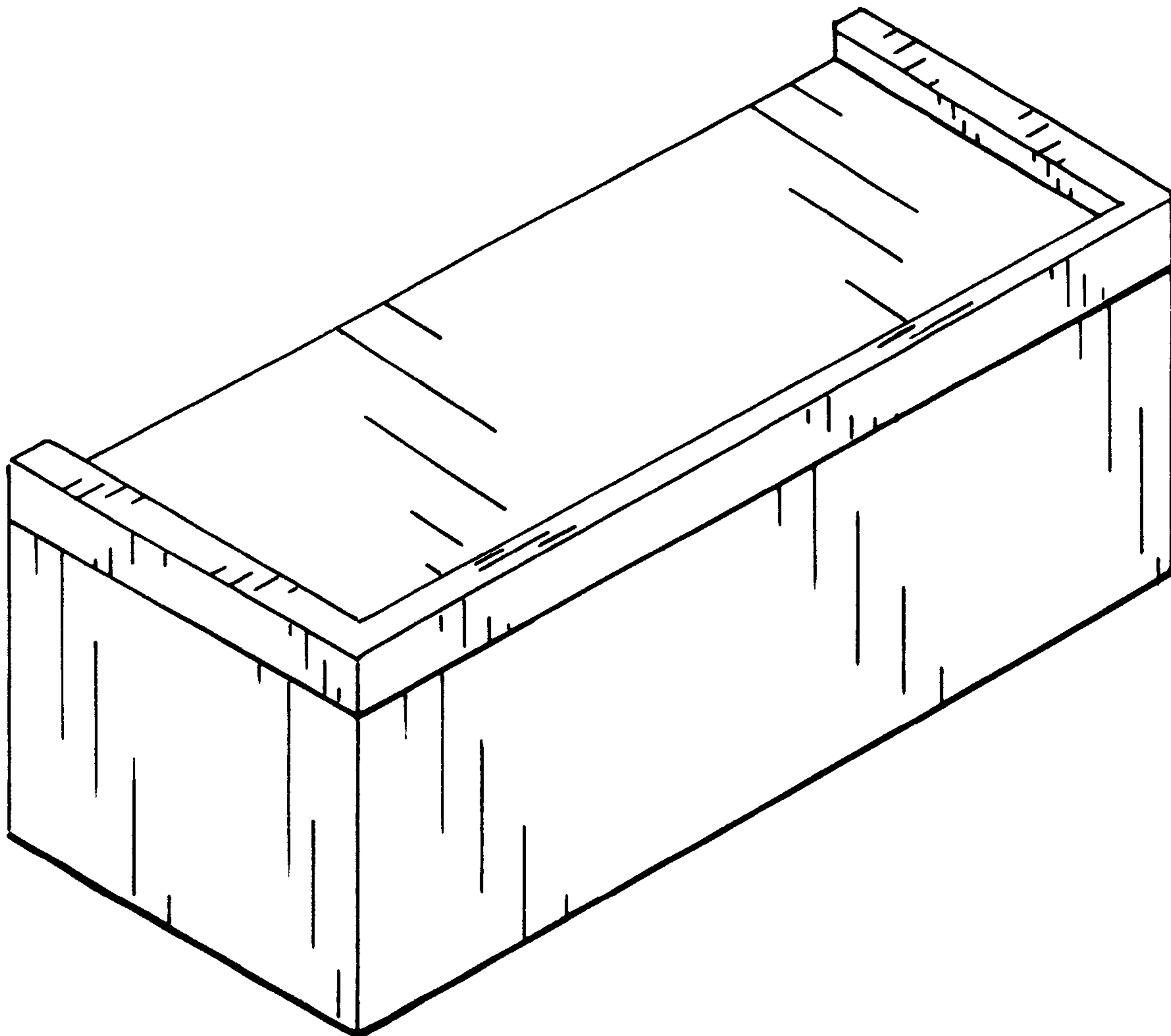
FIG. 6 is a top plan view of FIG. 1;

FIG. 7 is a left end elevational view of FIG. 1, the right end elevational view being identical therewith; and,

FIG. 8 is a bottom plan view of FIG. 1.

The views of FIGS. 2, 4, 6 and 7 are identical when the second embodiment of FIG. 5 is assembled.

1 Claim, 4 Drawing Sheets



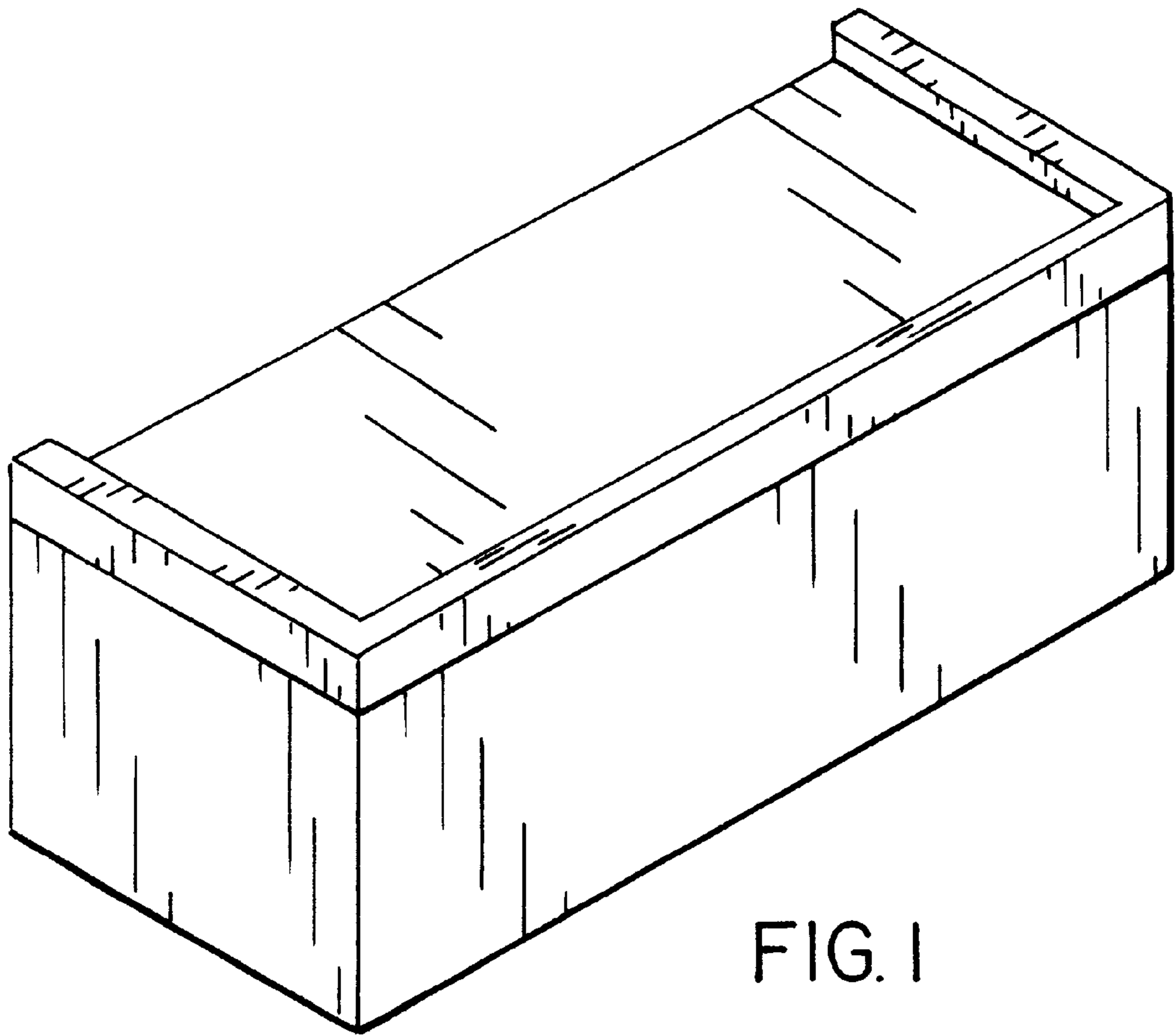


FIG. 1

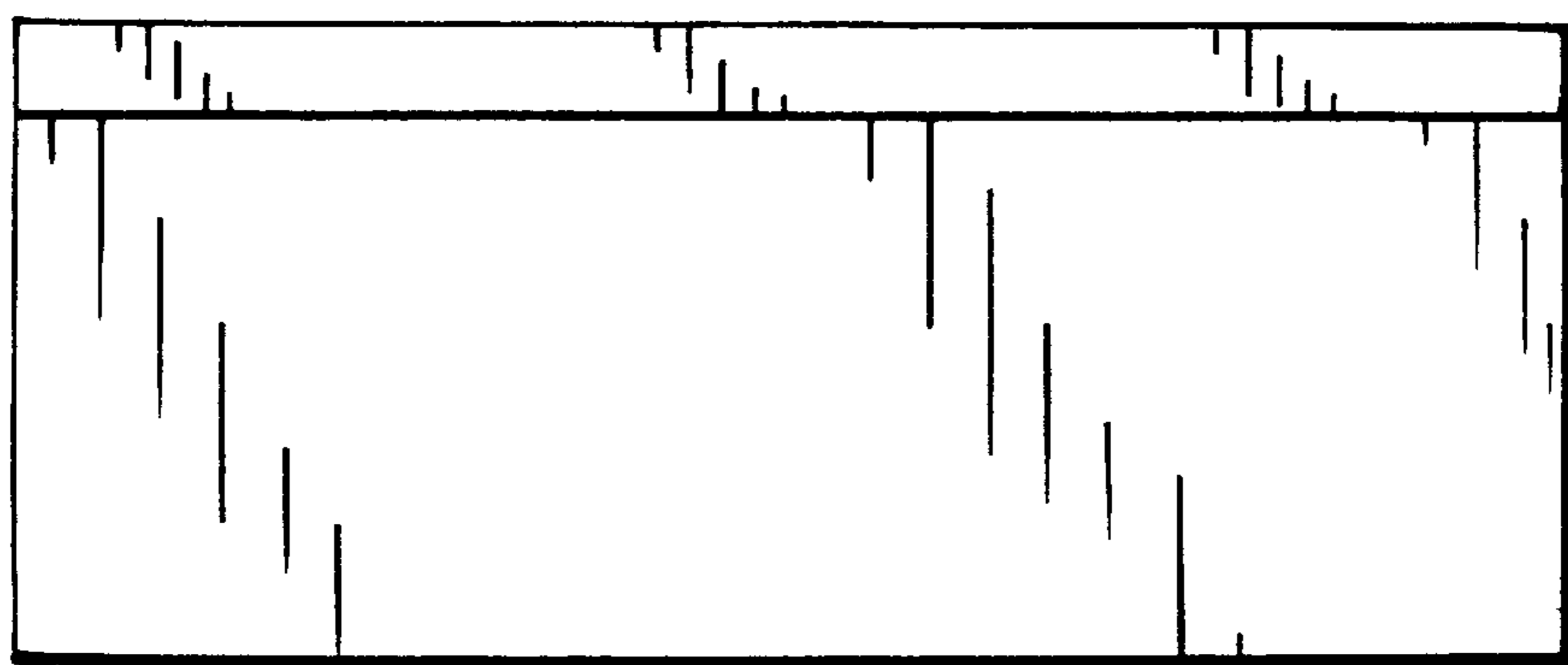


FIG. 2

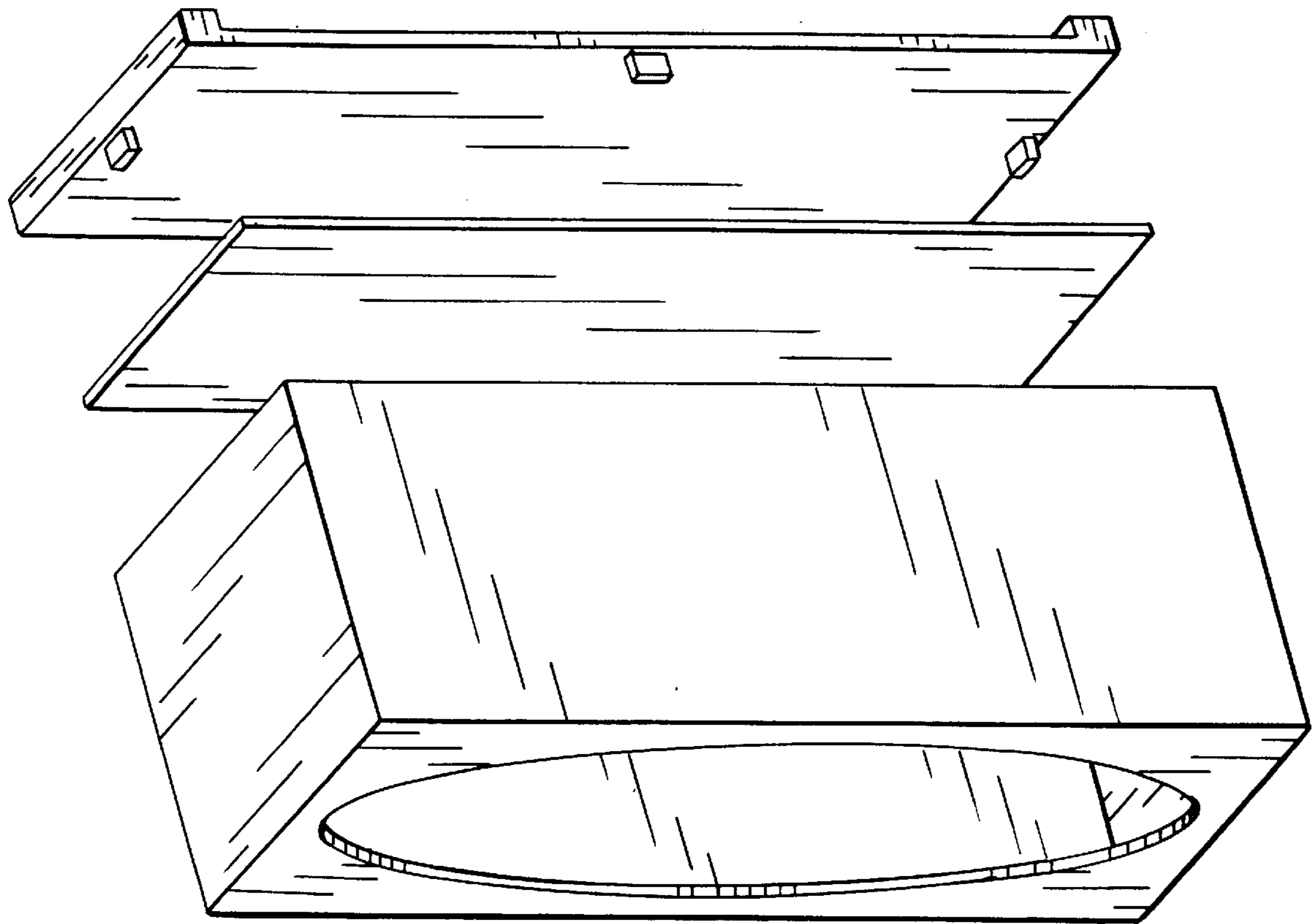


FIG. 3

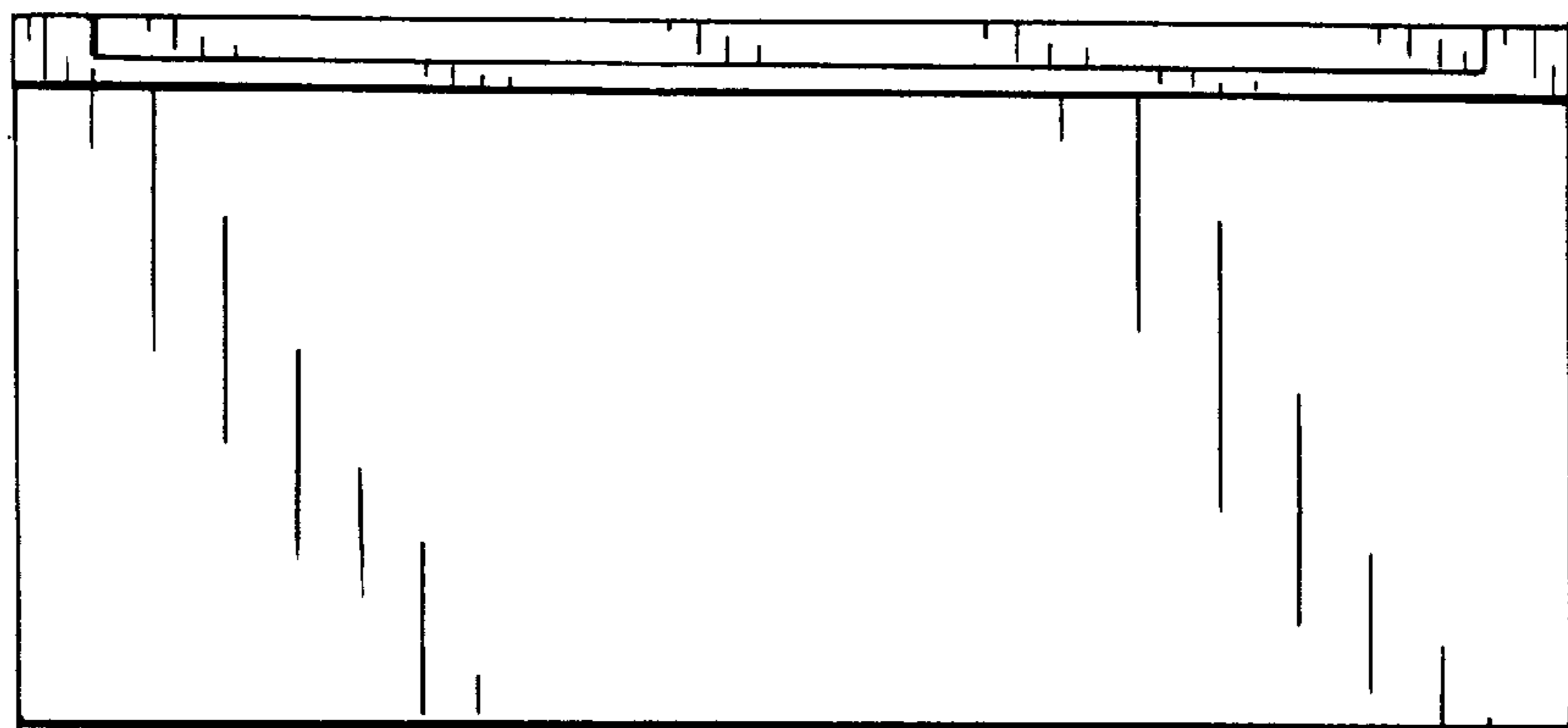


FIG. 4

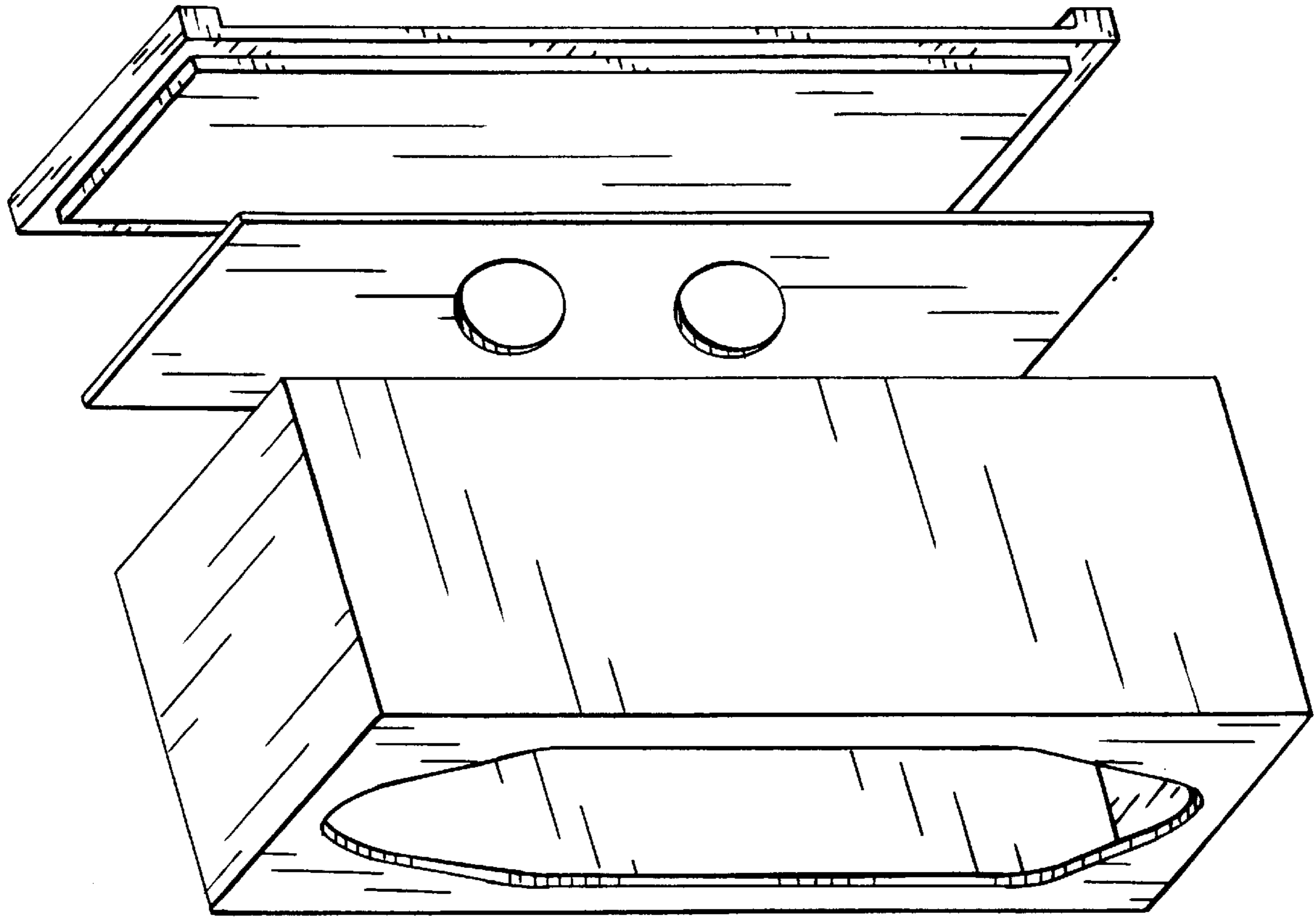


FIG. 5

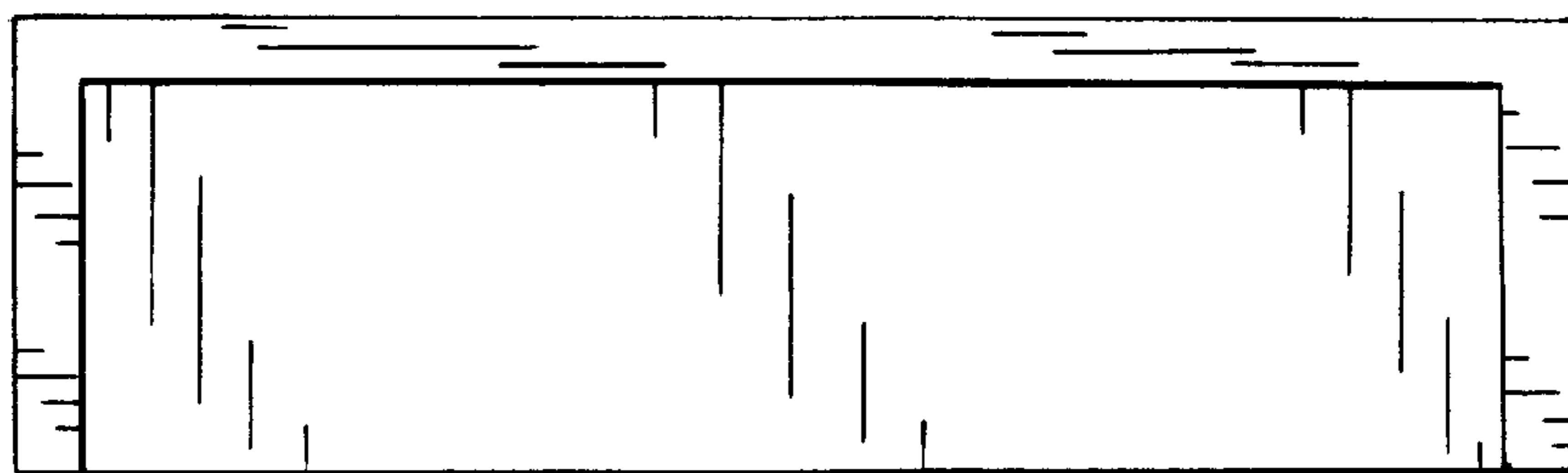


FIG. 6

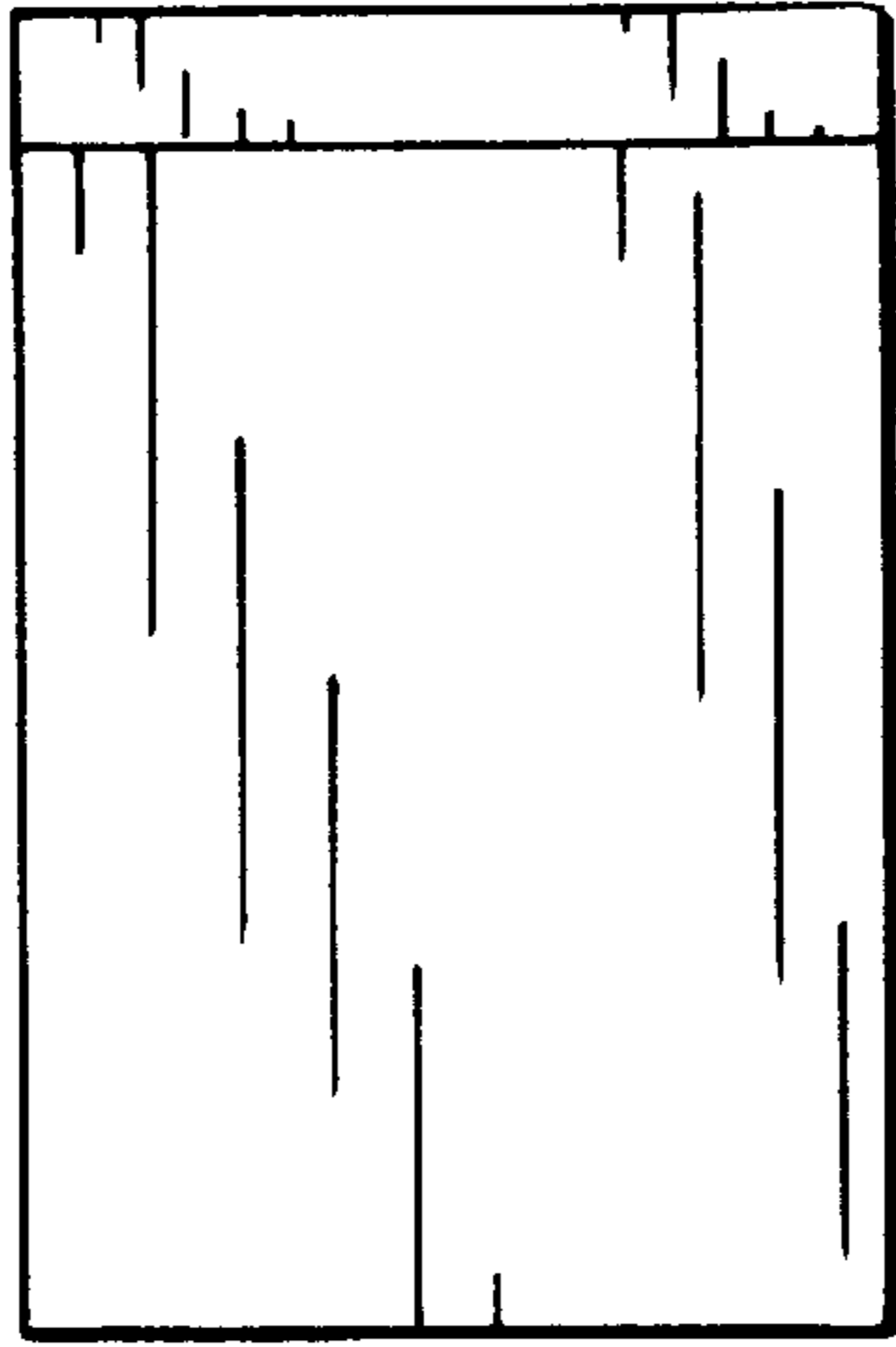


FIG. 7

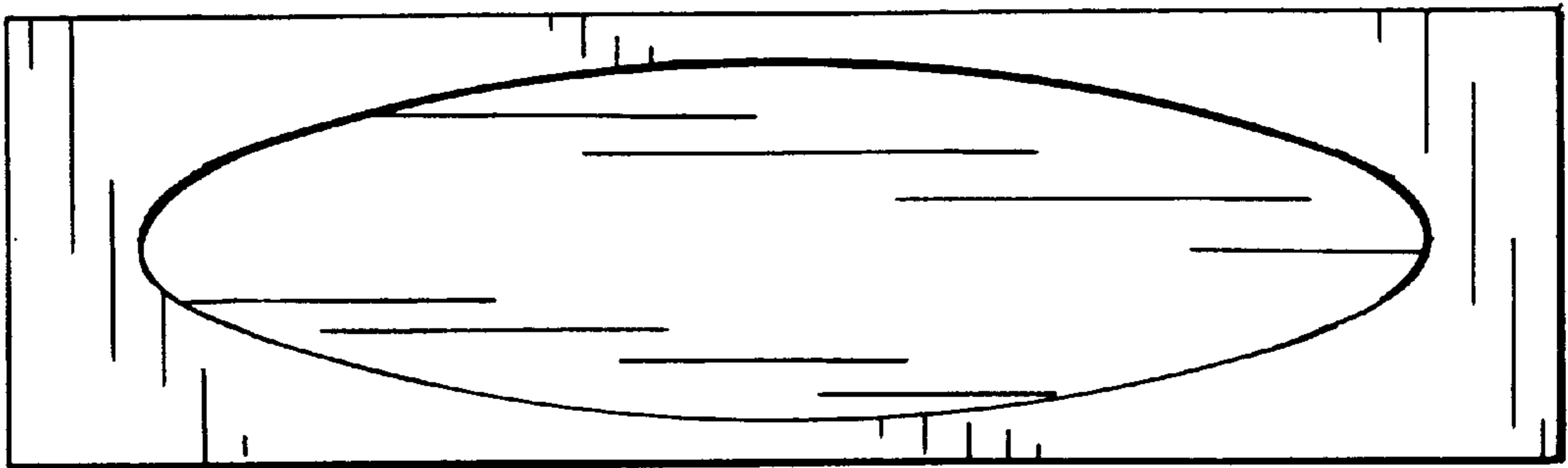


FIG. 8