



US00D417981S

United States Patent [19] Zwicker

[11] **Patent Number: Des. 417,981**

[45] **Date of Patent: ** Dec. 28, 1999**

[54] **SODA BAR**

2,778,703 1/1957 McBride D6/481

[76] Inventor: **Fred Zwicker**, 7075 State Rt. 446,
Canfield, Ohio 44406

Primary Examiner—Janice E. Seeger
Attorney, Agent, or Firm—Harpman & Harpman

[**] Term: **14 Years**

[57] CLAIM

[21] Appl. No.: **29/096,583**

The ornamental design for a soda bar, as shown and described.

[22] Filed: **Nov. 16, 1998**

DESCRIPTION

[51] **LOC (6) Cl.** **06-01**

[52] **U.S. Cl.** **D6/481**

[58] **Field of Search** D6/480–489, 511,
D6/397, 449; 312/140.1, 140.2, 236, 237;
108/150

FIG. 1 is a top, front and side perspective view of the soda bar;

FIG. 2 is a right side elevational view of the soda bar, the left side being a mirror image thereof;

FIG. 3 is a front plan view thereof;

FIG. 4 is a back plan view thereof;

FIG. 5 is a top plan view thereof; and,

FIG. 6 is a bottom plan view thereof.

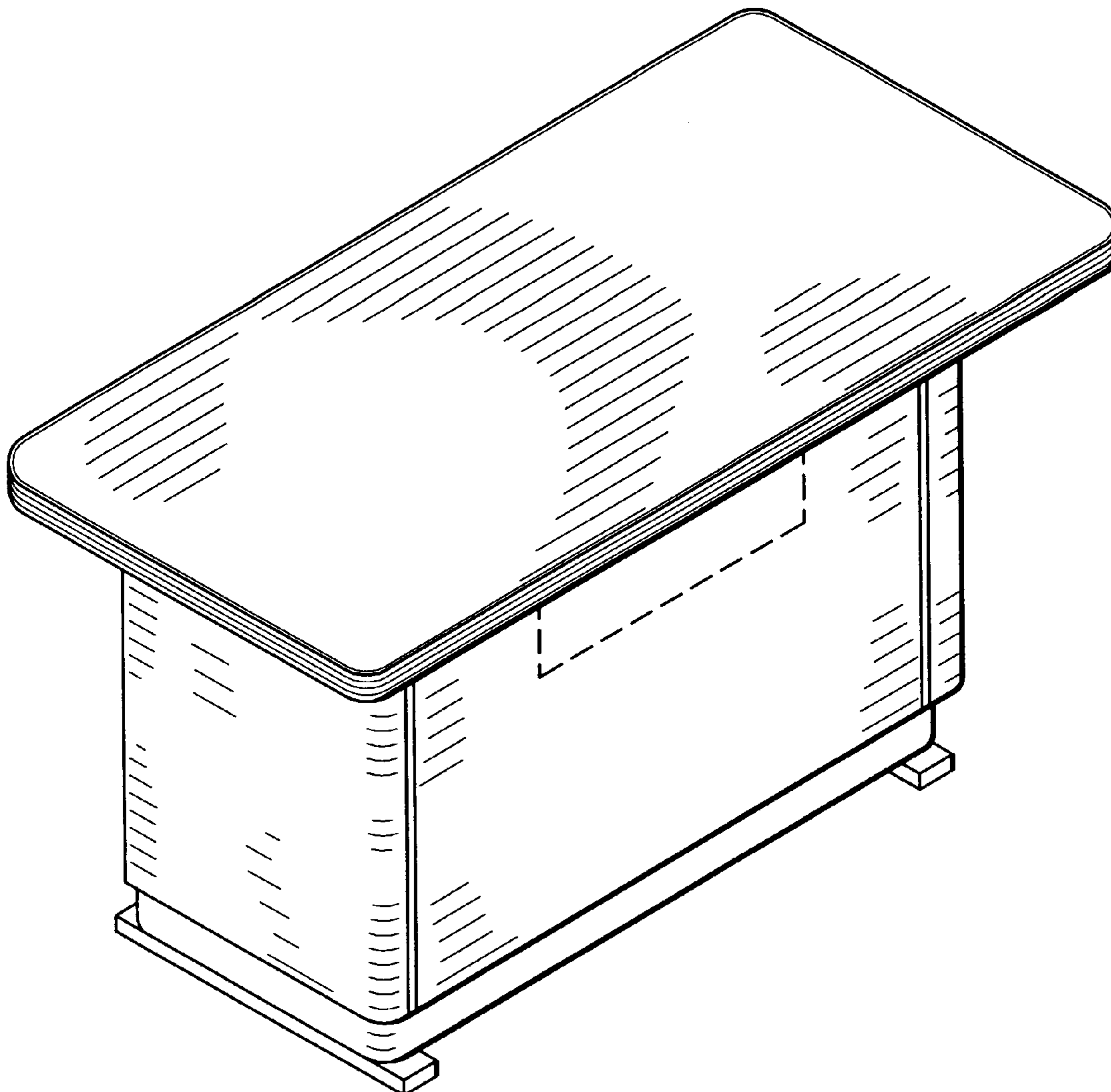
The broken lines are for environmental purposes only and form no part of the claimed design.

[56] References Cited

U.S. PATENT DOCUMENTS

D. 111,648	10/1938	Canterbury	D6/481
D. 157,748	3/1950	Fox et al.	D6/481
D. 223,005	2/1972	Genaro	D6/481
D. 306,664	3/1990	Pouch	D6/429

1 Claim, 3 Drawing Sheets



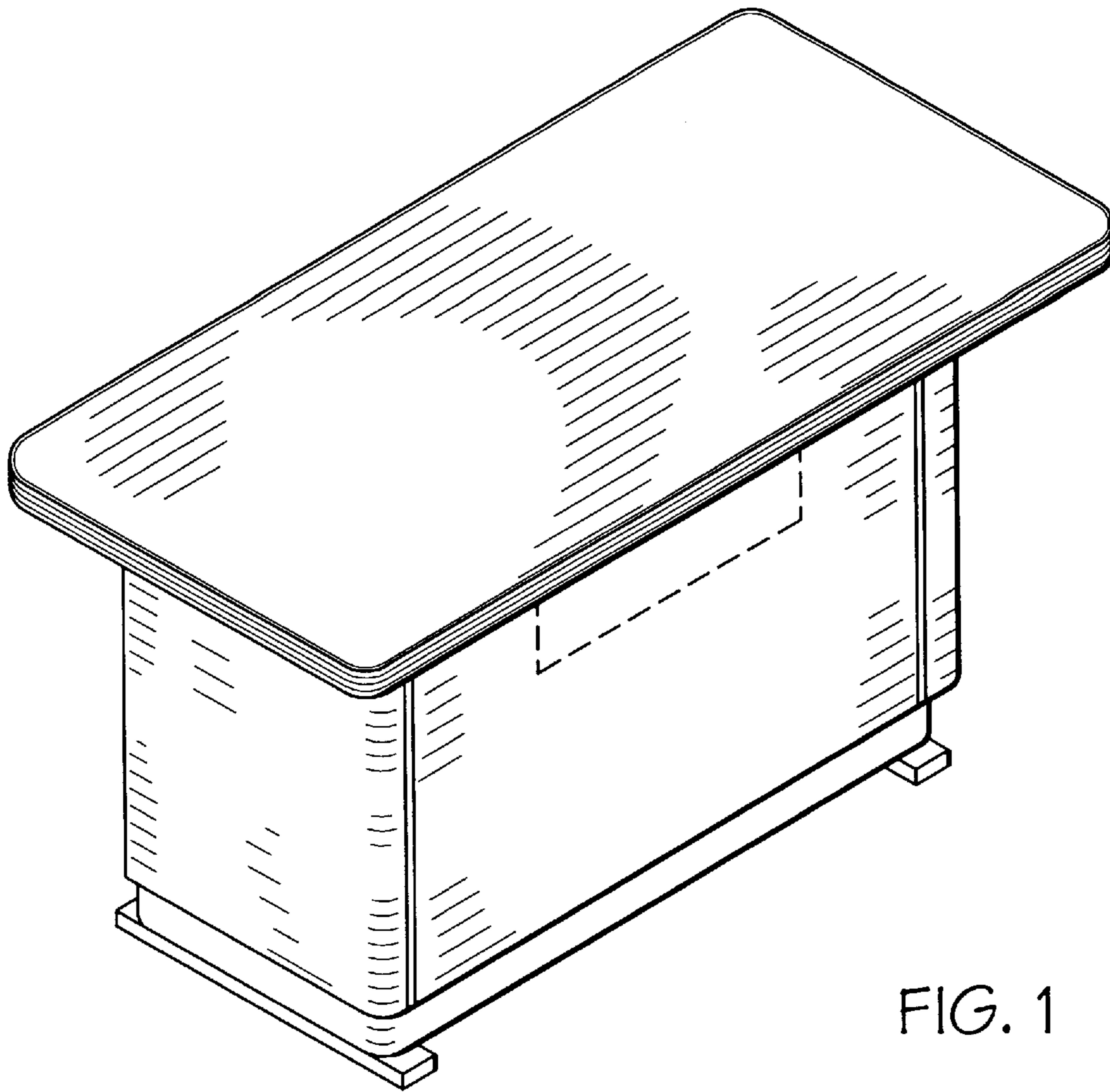


FIG. 1

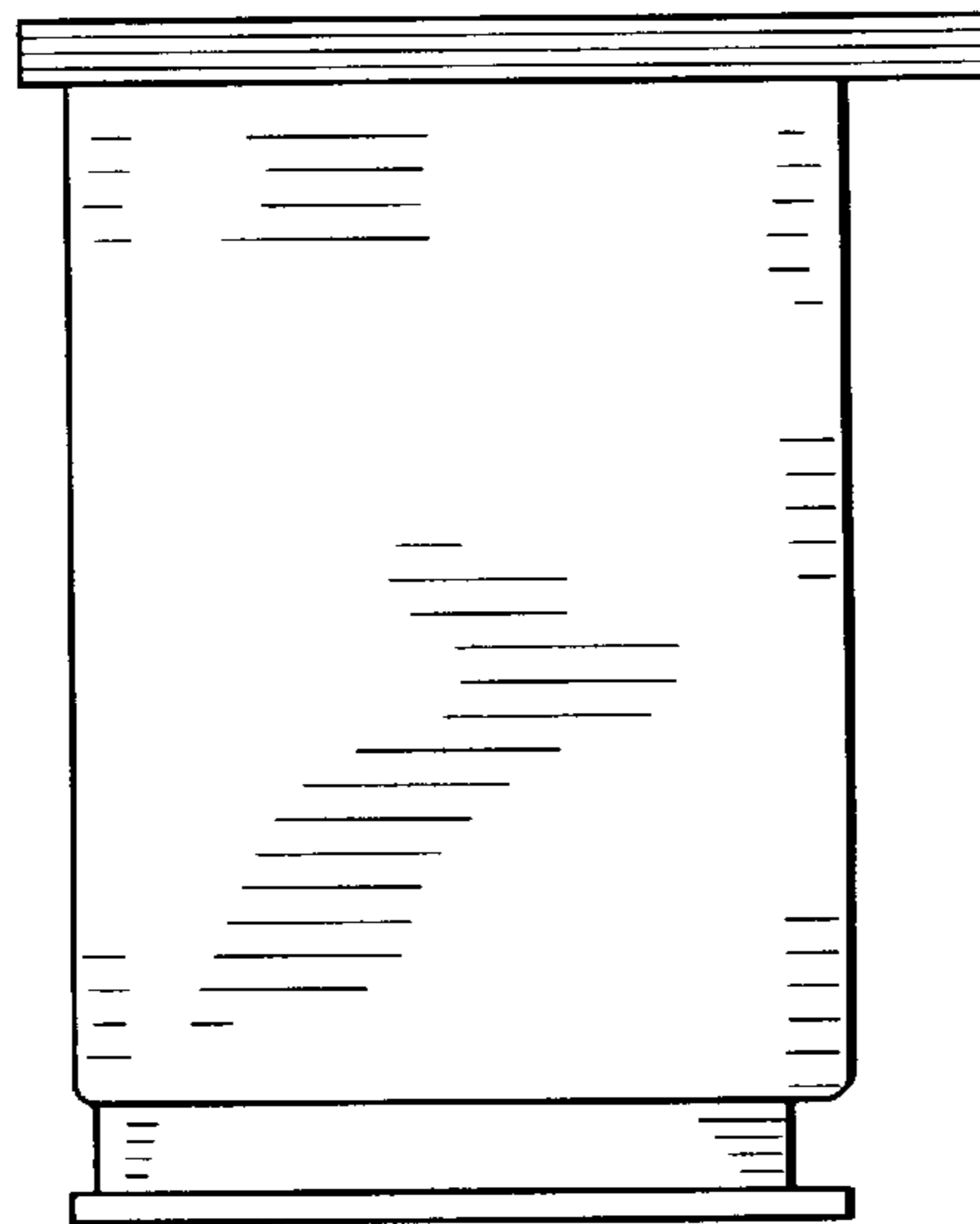


FIG. 2

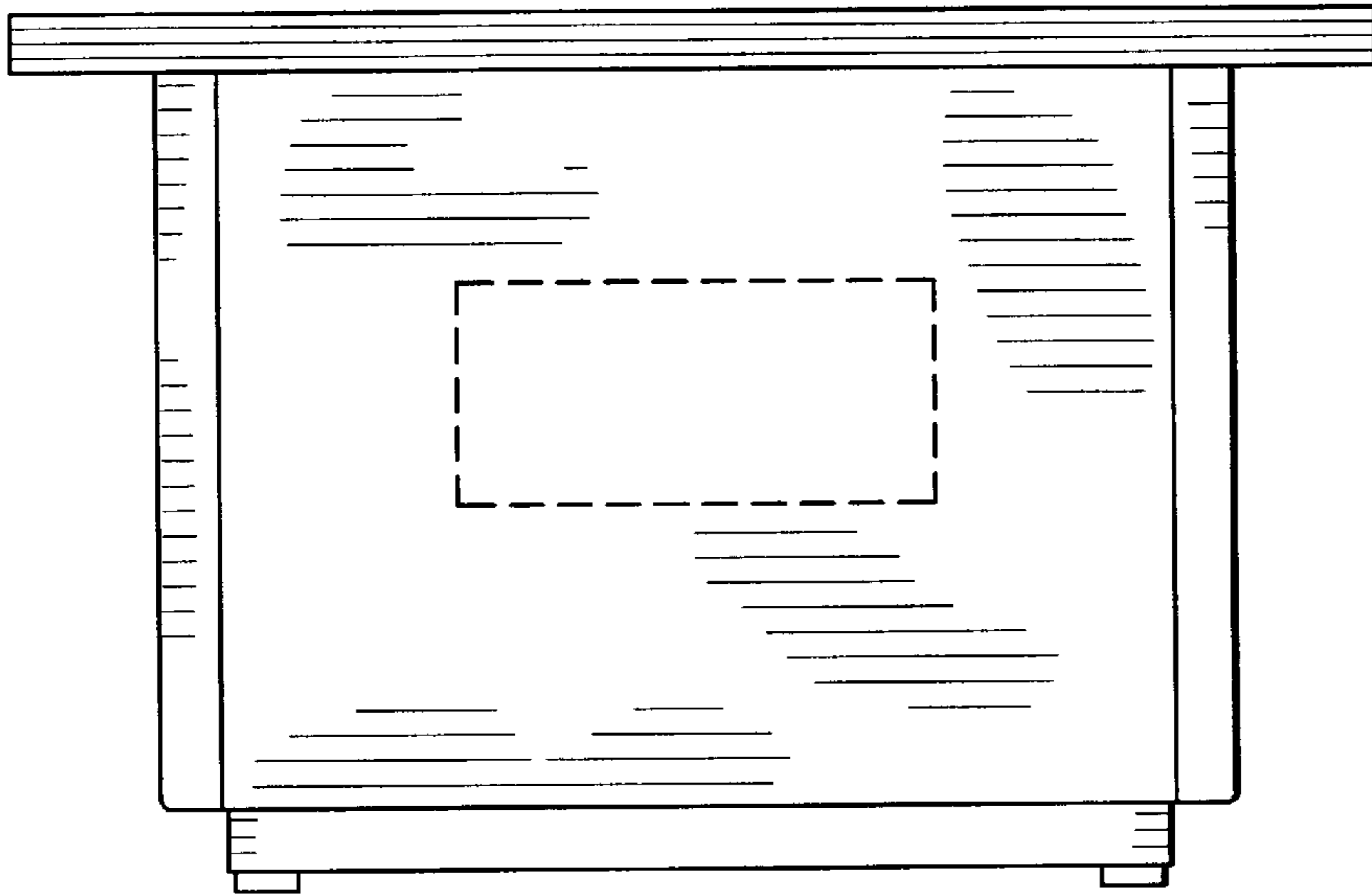


FIG. 3

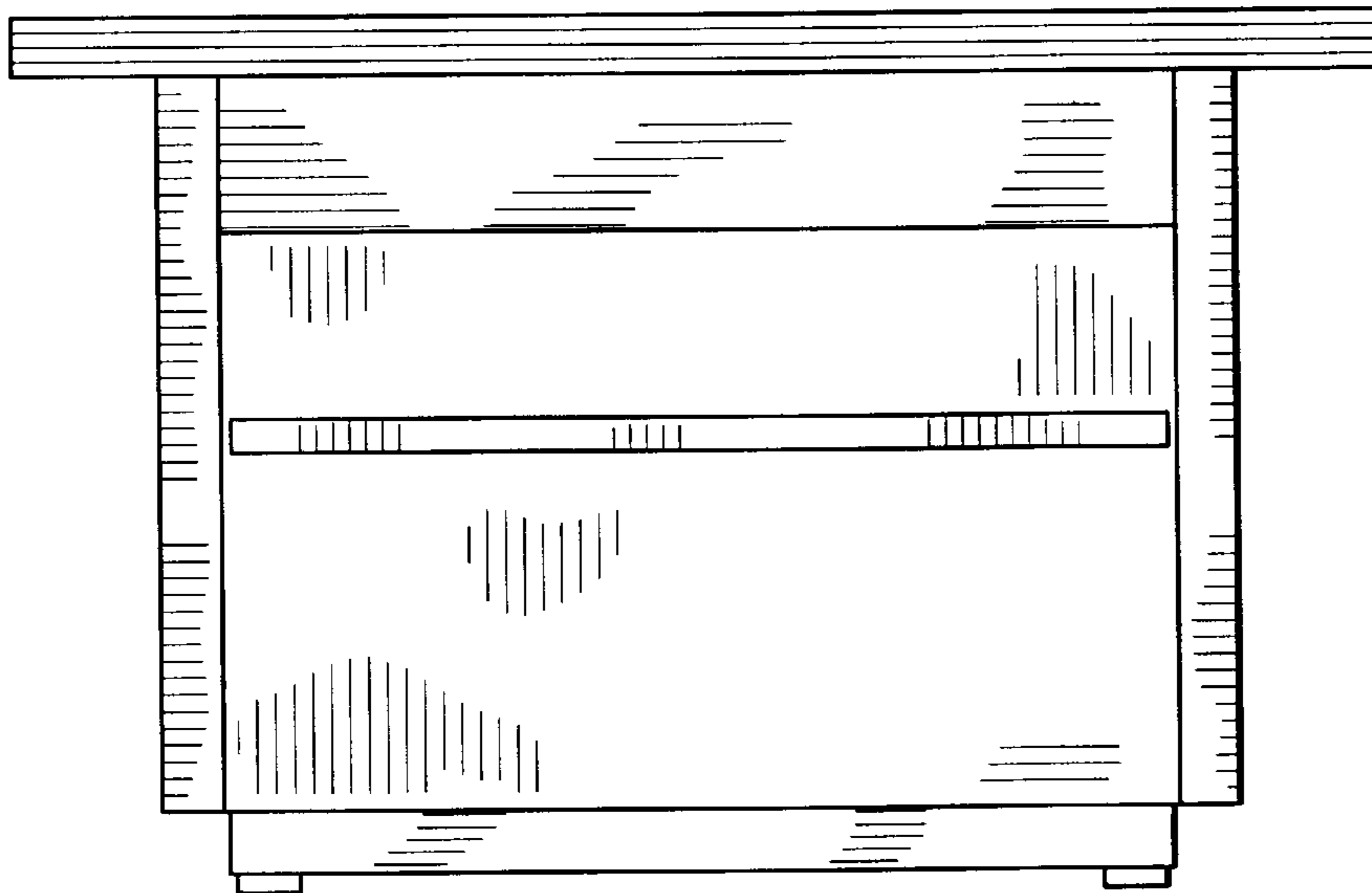


FIG. 4

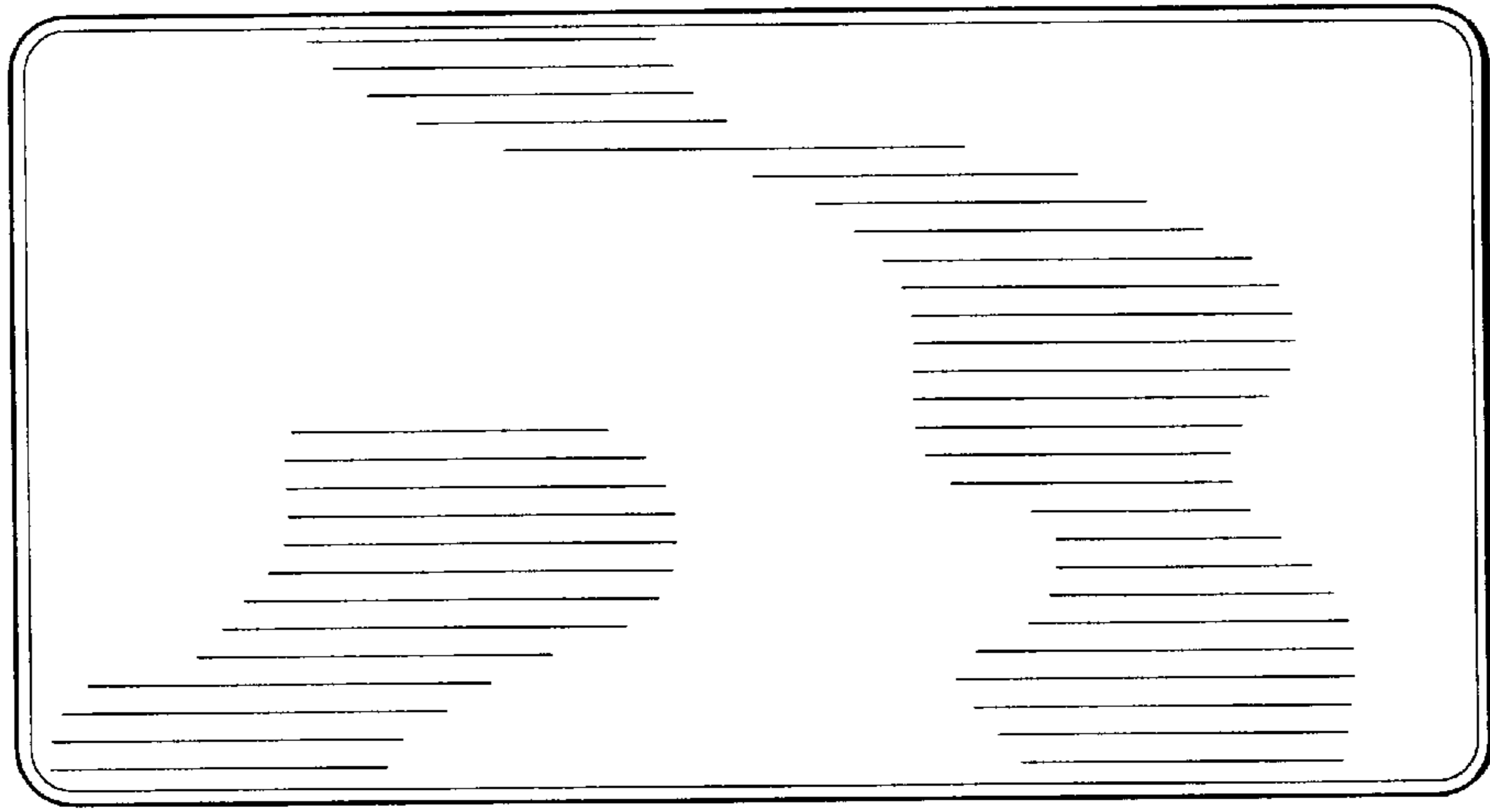


FIG. 5

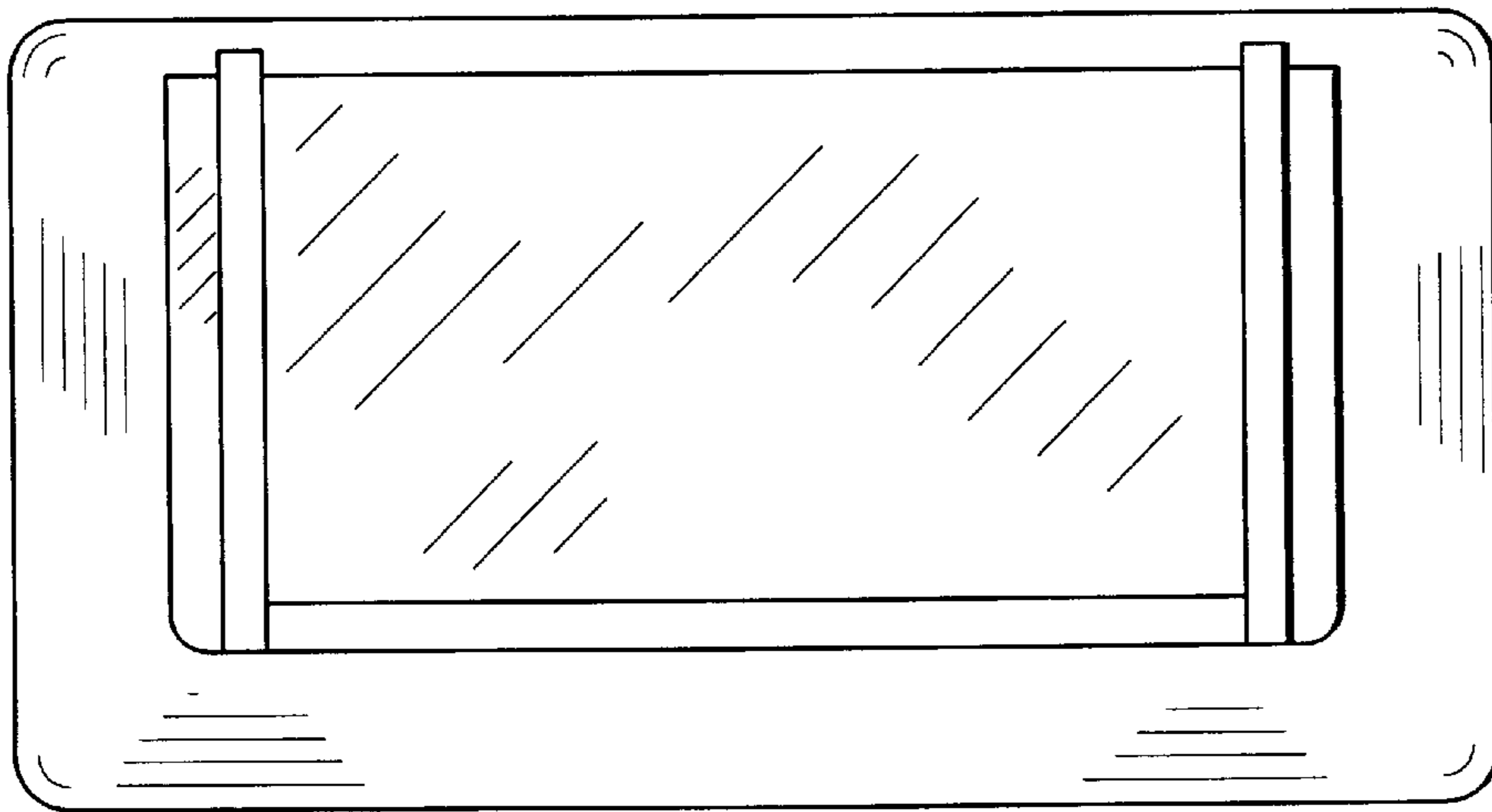


FIG. 6