



US00D417979S

United States Patent [19]

Evans

[11] **Patent Number: Des. 417,979**

[45] **Date of Patent: ** Dec. 28, 1999**

[54] **FRAME TO HOLD AND DISPLAY A HOCKEY PUCK**

[75] Inventor: **Gary Evans**, Burbank, Calif.

[73] Assignee: **Frame-A-Puck Enterprises, Inc.**, Fountain Valley, Calif.

[**] Term: **14 Years**

[21] Appl. No.: **29/091,533**

[22] Filed: **Jul. 31, 1998**

[51] **LOC (6) Cl.** **06-04**

[52] **U.S. Cl.** **D6/470**

[58] **Field of Search** D6/470-472, 300, D6/309, 310, 314, 436, 552, 559, 308; D11/132; D19/26; 40/124, 700, 721, 714, 724; 428/13, 14, 542.2, 542.4; 211/85.7; 312/114, 204, 257.1, 245, 224, 227

[56] **References Cited**

U.S. PATENT DOCUMENTS

214,105 4/1879 Cole 40/724
D. 260,503 9/1981 Stangarone D11/132

D. 295,922 5/1988 Huffman D6/308
D. 394,874 6/1998 Aguilar D19/26
1,544,214 6/1925 Bruns 40/729
3,208,876 9/1965 Dodge 428/14 X
4,777,745 10/1988 Rose 428/542.4 X
5,149,568 9/1992 Beck 428/14
5,635,265 6/1997 Potokar 428/14 X

Primary Examiner—Doris V. Coles
Assistant Examiner—Linda Brooks
Attorney, Agent, or Firm—Levin & Hawes; James E. Hawes; Dennis S. Morris

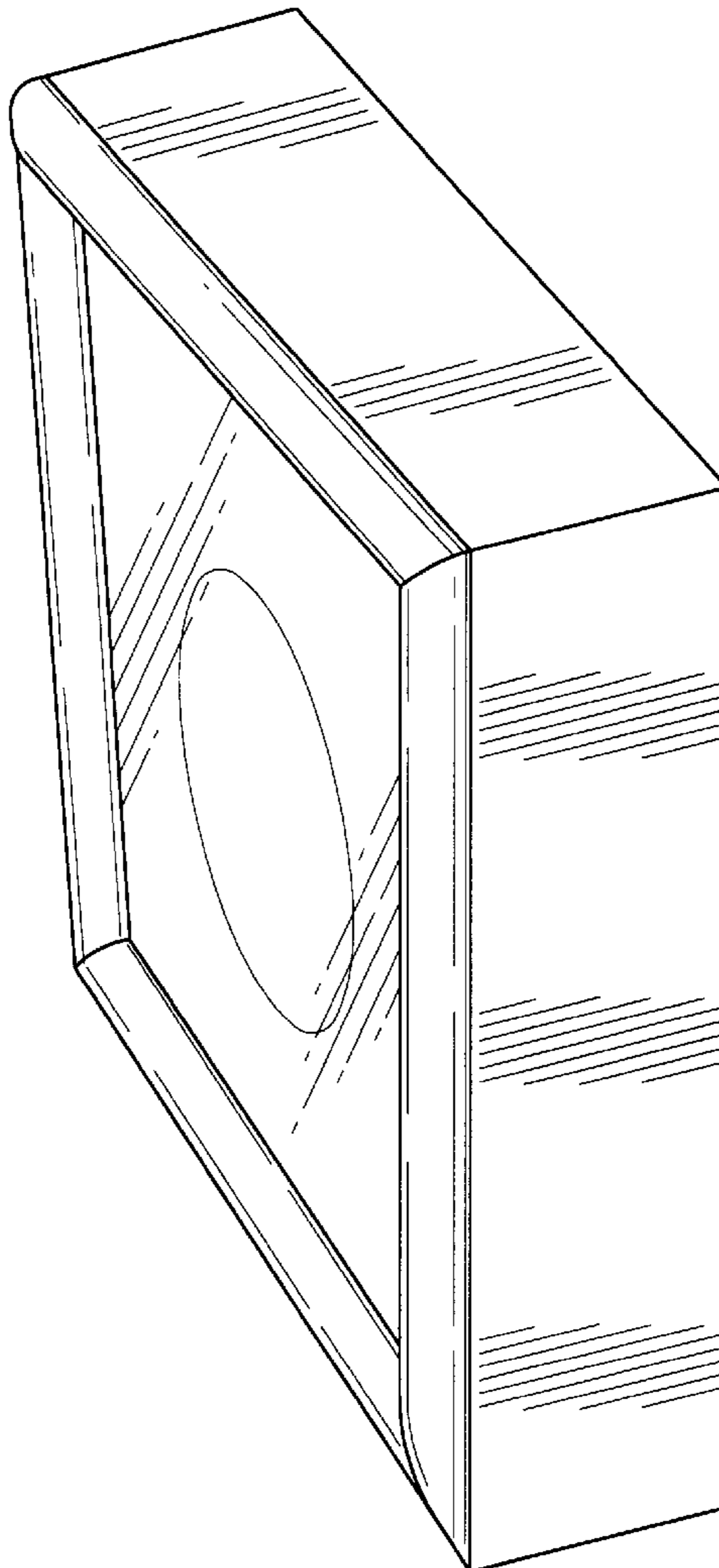
[57] **CLAIM**

The ornamental design for a frame to hold and display a hockey puck, as shown.

DESCRIPTION

FIG. 1 is a perspective view;
FIG. 2 is a top view;
FIG. 3 is a bottom view;
FIG. 4 is a left side view;
FIG. 5 is a right side view;
FIG. 6 is a front view; and,
FIG. 7 is a back view.

1 Claim, 3 Drawing Sheets



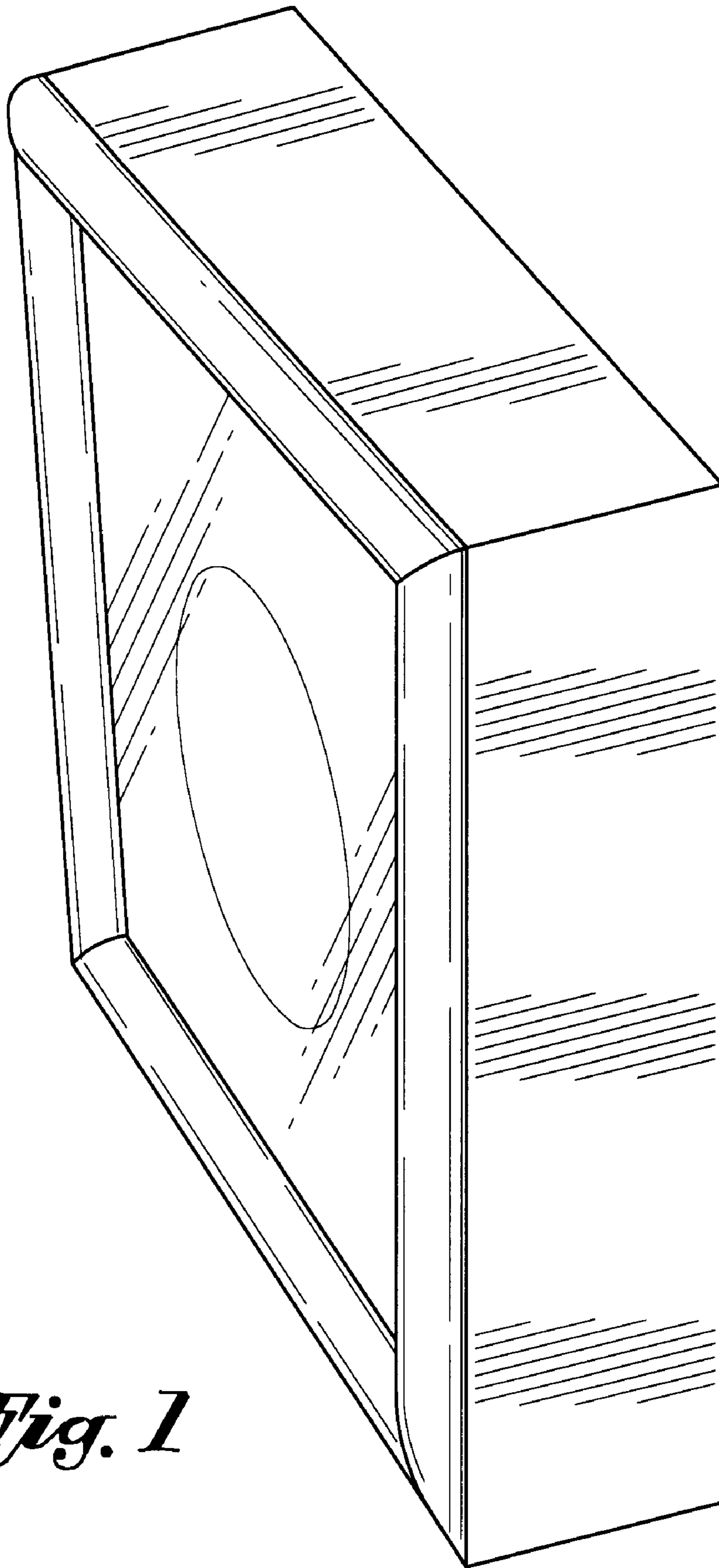


Fig. 1

Fig. 2

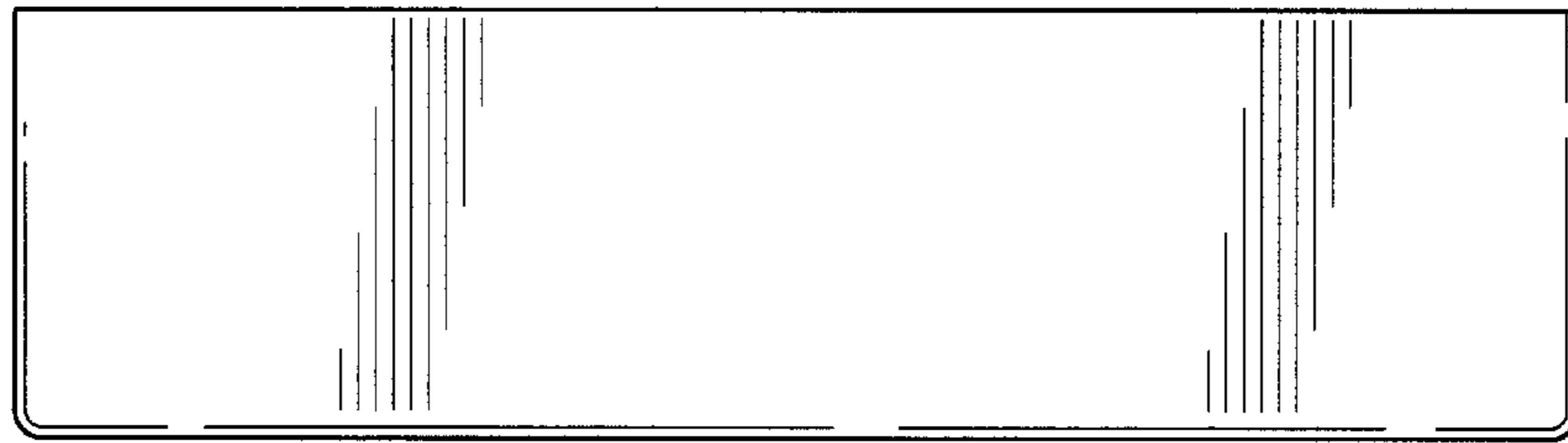


Fig. 3

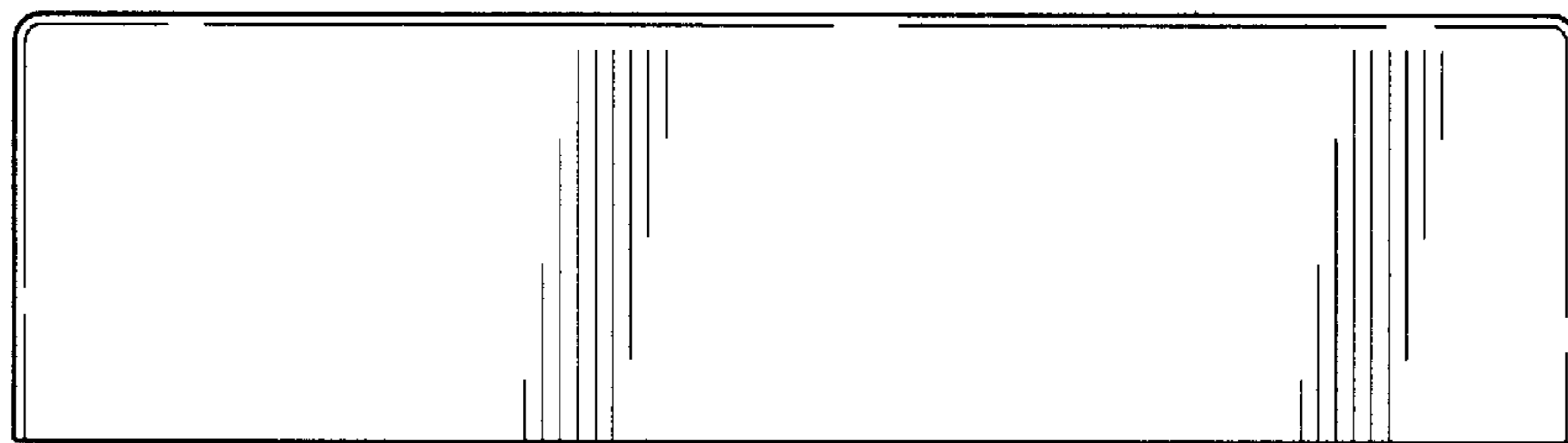


Fig. 4

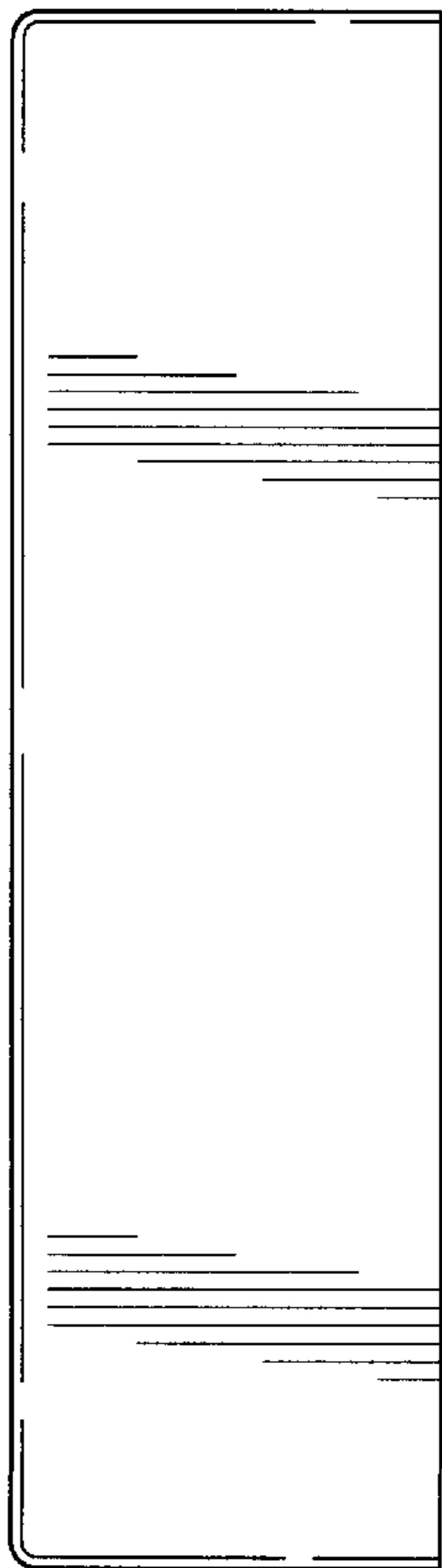


Fig. 5

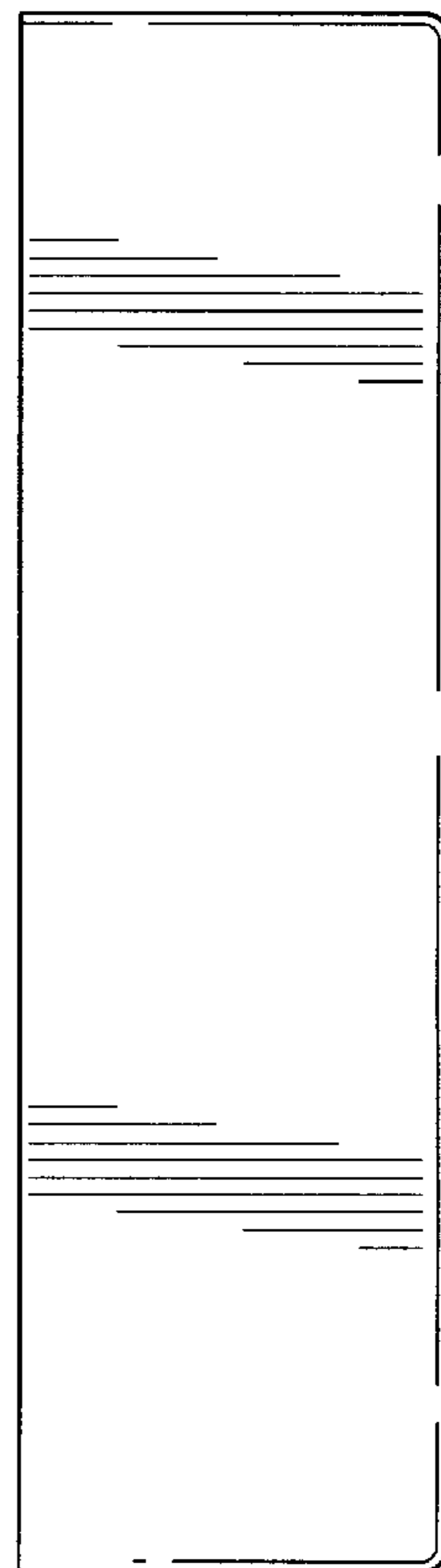


Fig. 6

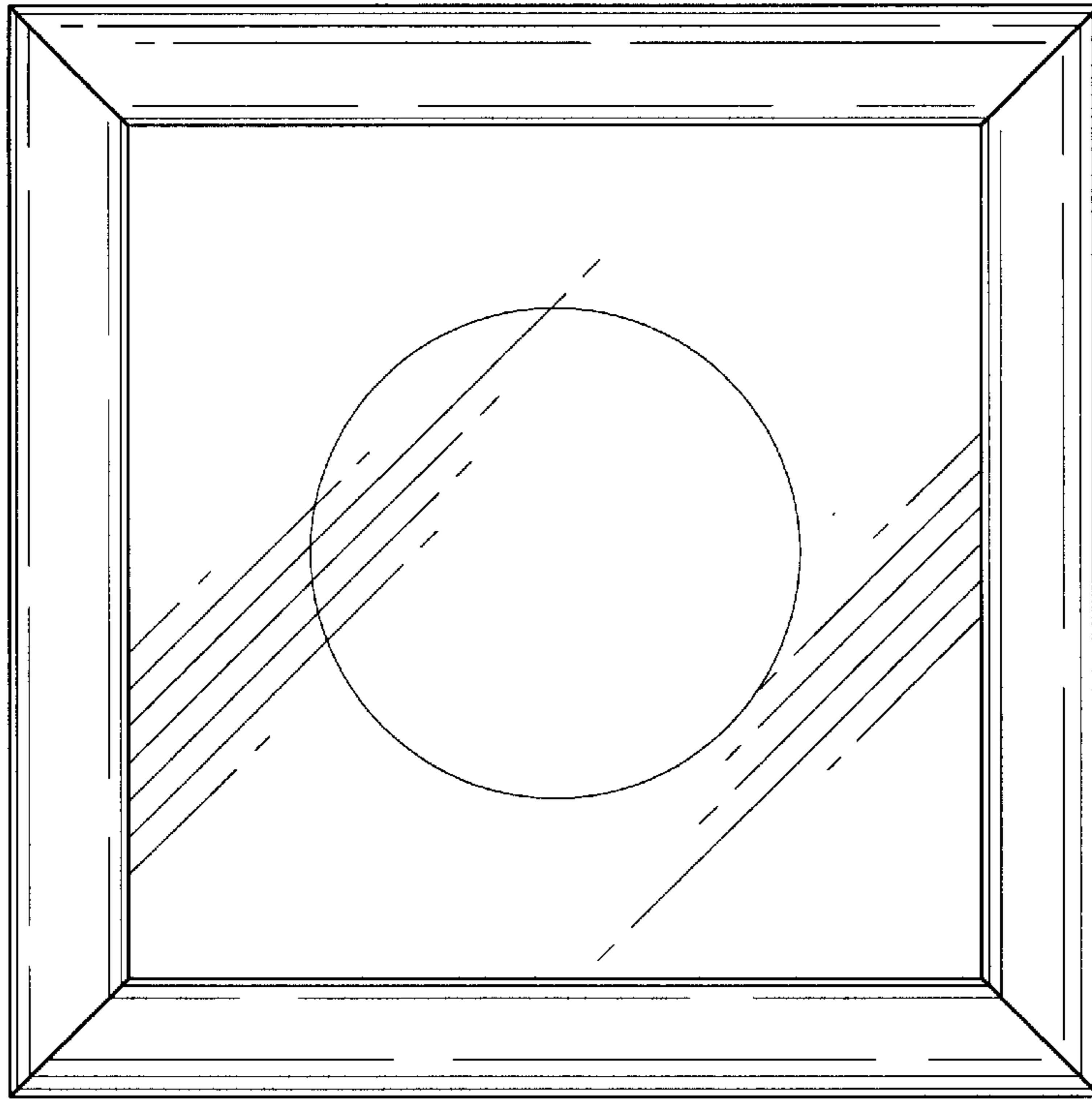


Fig. 7

