



US00D417975S

United States Patent [19] Linz

[11] Patent Number: **Des. 417,975**

[45] Date of Patent: **** Dec. 28, 1999**

[54] **DISPLAY RACK**

[76] Inventor: **Arthur W. Linz**, 14 Deer Trail,
Boonton Township, N.J. 07005

[**] Term: **14 Years**

[21] Appl. No.: **29/090,489**

[22] Filed: **Jul. 9, 1998**

4,356,923 11/1982 Young et al. .
4,474,297 10/1984 Zucker .
5,645,176 7/1997 Jay .

Primary Examiner—Doris V. Coles
Assistant Examiner—Linda Brooks
Attorney, Agent, or Firm—Lerner, David, Littenberg,
Krumholz & Mentlik, LLP

Related U.S. Application Data

[62] Division of application No. 29/078,857, Nov. 5, 1997, Pat.
No. Des. 405,622.

[51] **LOC (6) Cl.** **06-04**

[52] **U.S. Cl.** **D6/408**

[58] **Field of Search** D6/408, 512, 515,
D6/509-511; 211/59.2, 59.3; 221/282-286;
312/35, 36, 71, 116, 128

[56] References Cited

U.S. PATENT DOCUMENTS

- D. 290,790 7/1987 Nathan et al. .
- D. 342,420 12/1993 Ienna .
- D. 380,113 6/1997 Byrd .
- D. 402,490 12/1998 Parham D6/408 X
- 2,888,145 5/1959 Knott et al. .

[57] CLAIM

The ornamental design for a display rack, as shown and described.

DESCRIPTION

FIG. 1 is a perspective view of a display rack showing my new design;
 FIG. 2 is a front elevational view;
 FIG. 3 is a right side elevational view, the left side elevational view being a mirror image thereof;
 FIG. 4 is a top plan view;
 FIG. 5 is a bottom plan view; and,
 FIG. 6 is a perspective view of a second embodiment of FIG. 1, the only difference being the addition of three adjoining display racks, it being understood that all the other surfaces are the same as shown in the embodiment of FIG. 1.
 The broken line structure and boundaries shown in FIGS. 1, 2, 3, 4, 5 and 6 form no part of the claimed design.

1 Claim, 4 Drawing Sheets

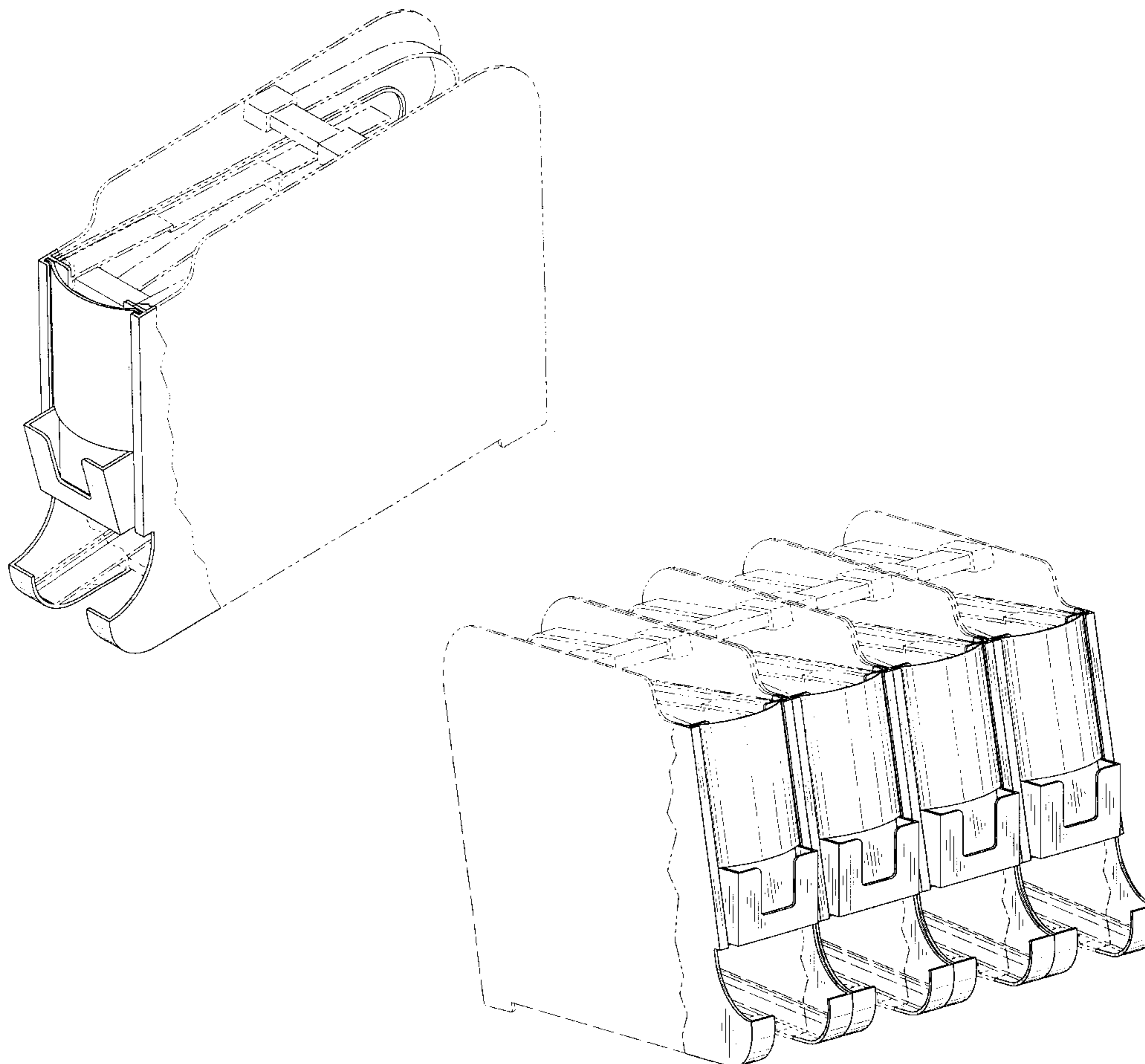


FIG. 1

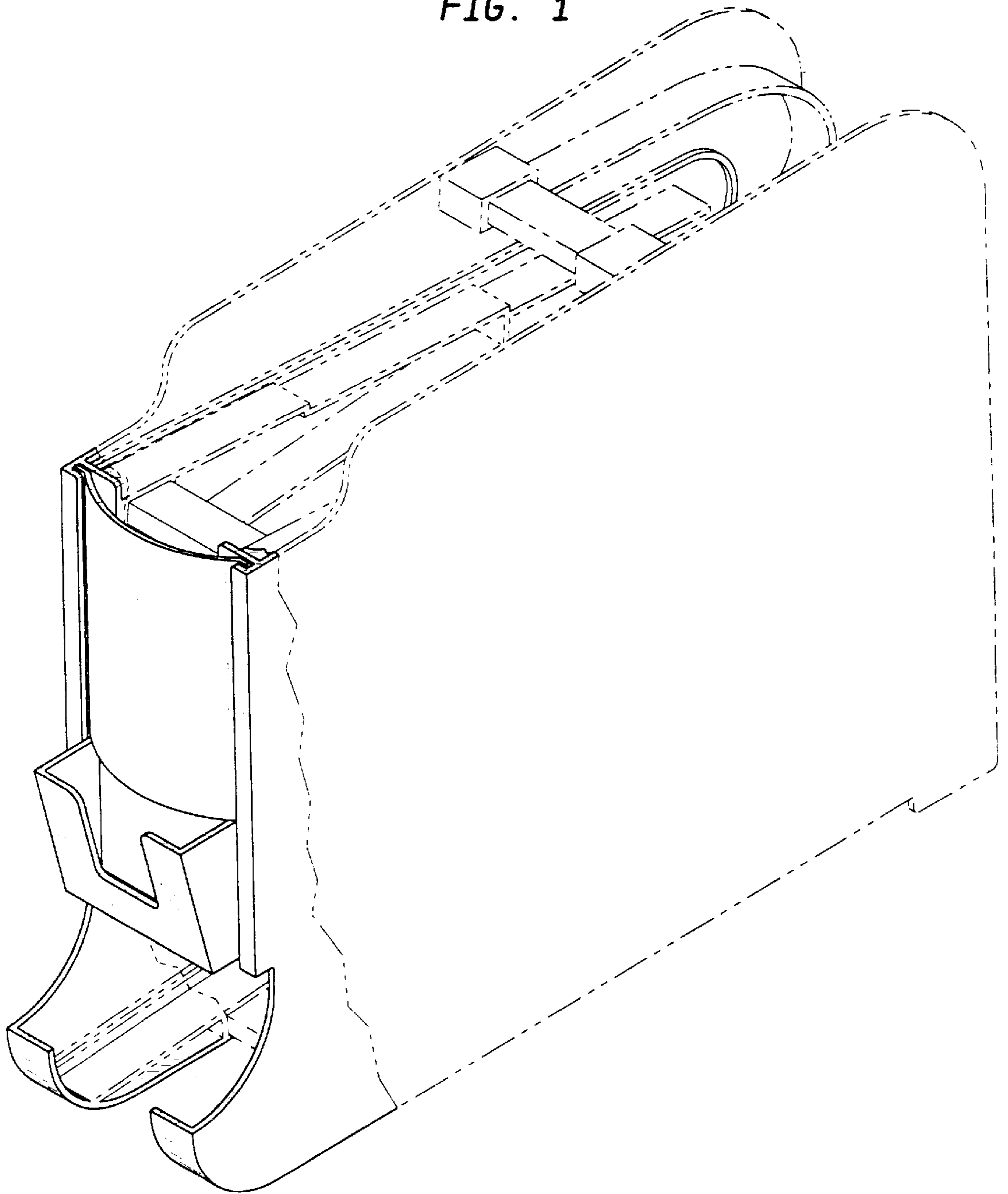


FIG. 2

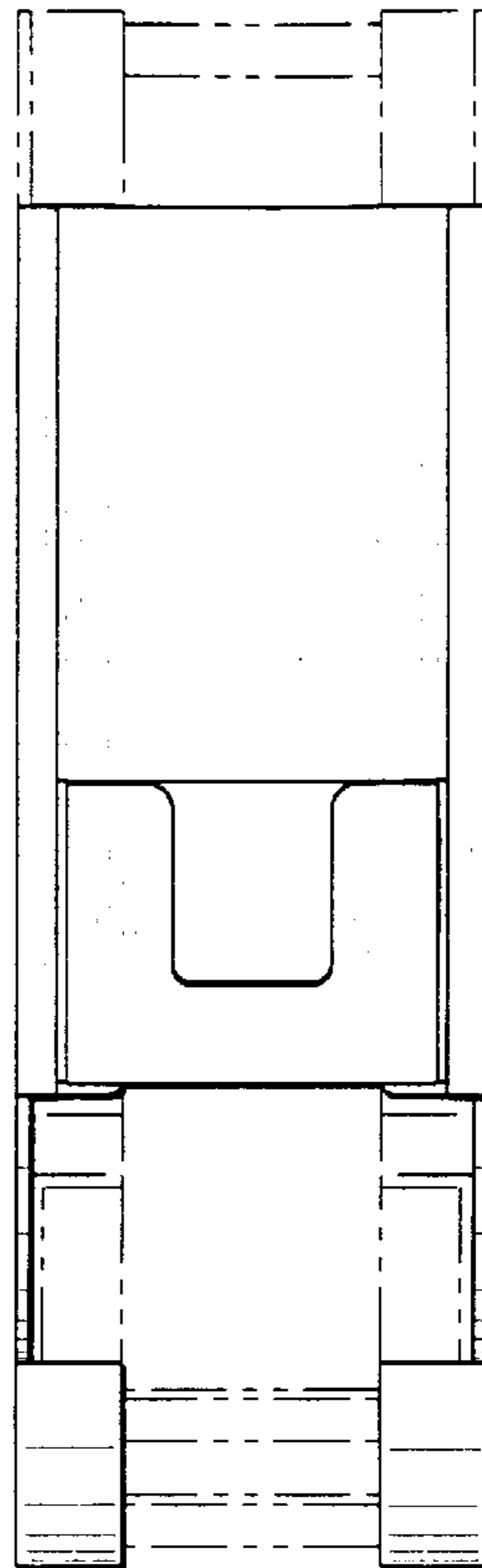


FIG. 3



FIG. 4

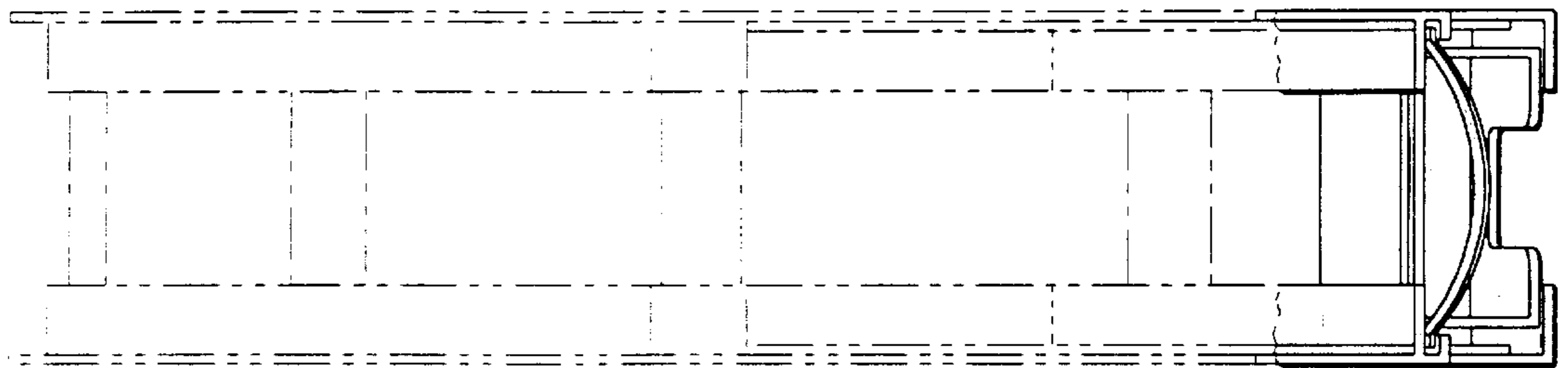
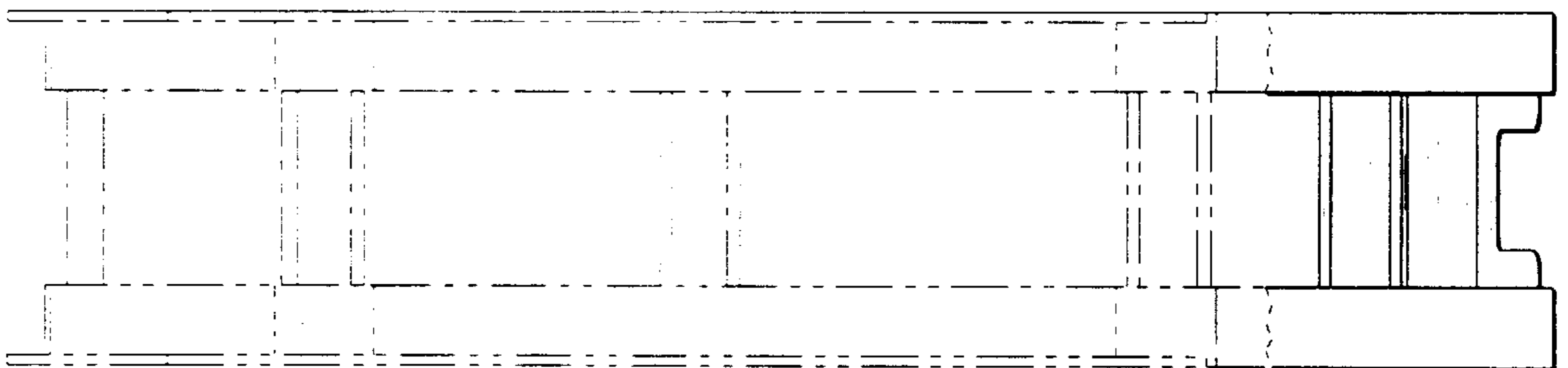


FIG. 5



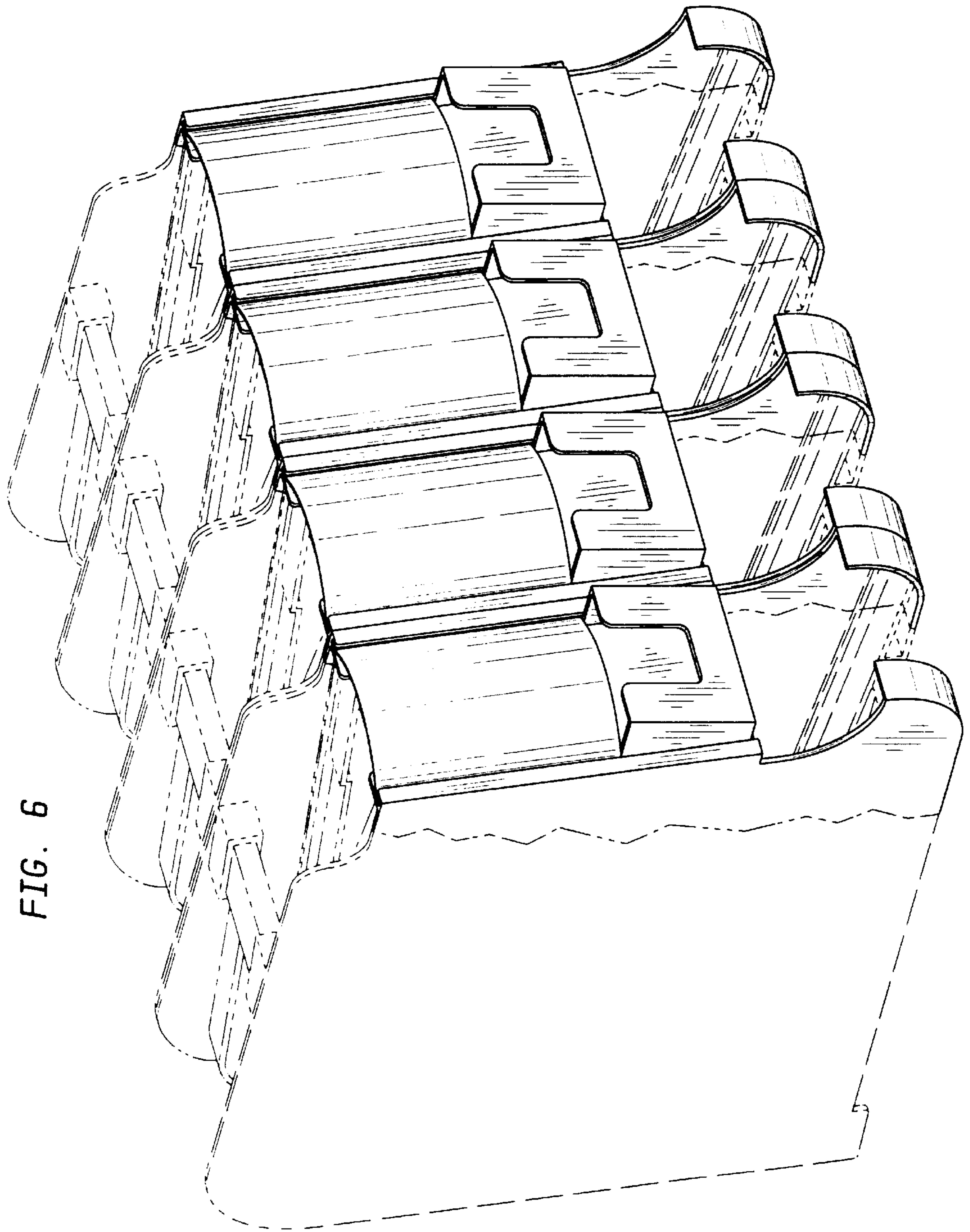


FIG. 6