



US00D417972S

United States Patent [19] Muller

[11] **Patent Number: Des. 417,972**

[45] **Date of Patent: ** Dec. 28, 1999**

[54] **BED FRAME**

[75] Inventor: **Carl A. Muller**, Altadena, Calif.

[73] Assignee: **Elite Manufacturing Corporation**,
Gardena, Calif.

[**] Term: **14 Years**

[21] Appl. No.: **29/078,355**

[22] Filed: **Oct. 13, 1997**

[51] **LOC (6) Cl.** **06-01**

[52] **U.S. Cl.** **D6/393; D6/395**

[58] **Field of Search** D6/382-384, 388-395,
D6/505-508; 5/53.1, 279.1, 280, 281, 310,
907

[56] **References Cited**

U.S. PATENT DOCUMENTS

D. 92,898 7/1934 Geddes .
D. 164,058 7/1951 Peery D5/4
D. 343,071 1/1994 Ferguson D6/395

D. 345,264 3/1994 Stone et al. D6/393
D. 366,779 2/1996 Muller D6/395
D. 375,642 11/1996 Yeh D6/508
D. 390,717 2/1998 Muller D6/395

OTHER PUBLICATIONS

Levitz, Jun. 11, 1994, p. 7. Bed at top right.

Primary Examiner—Janice E. Seeger
Attorney, Agent, or Firm—Stetina Brunda Garred &
Bruckner

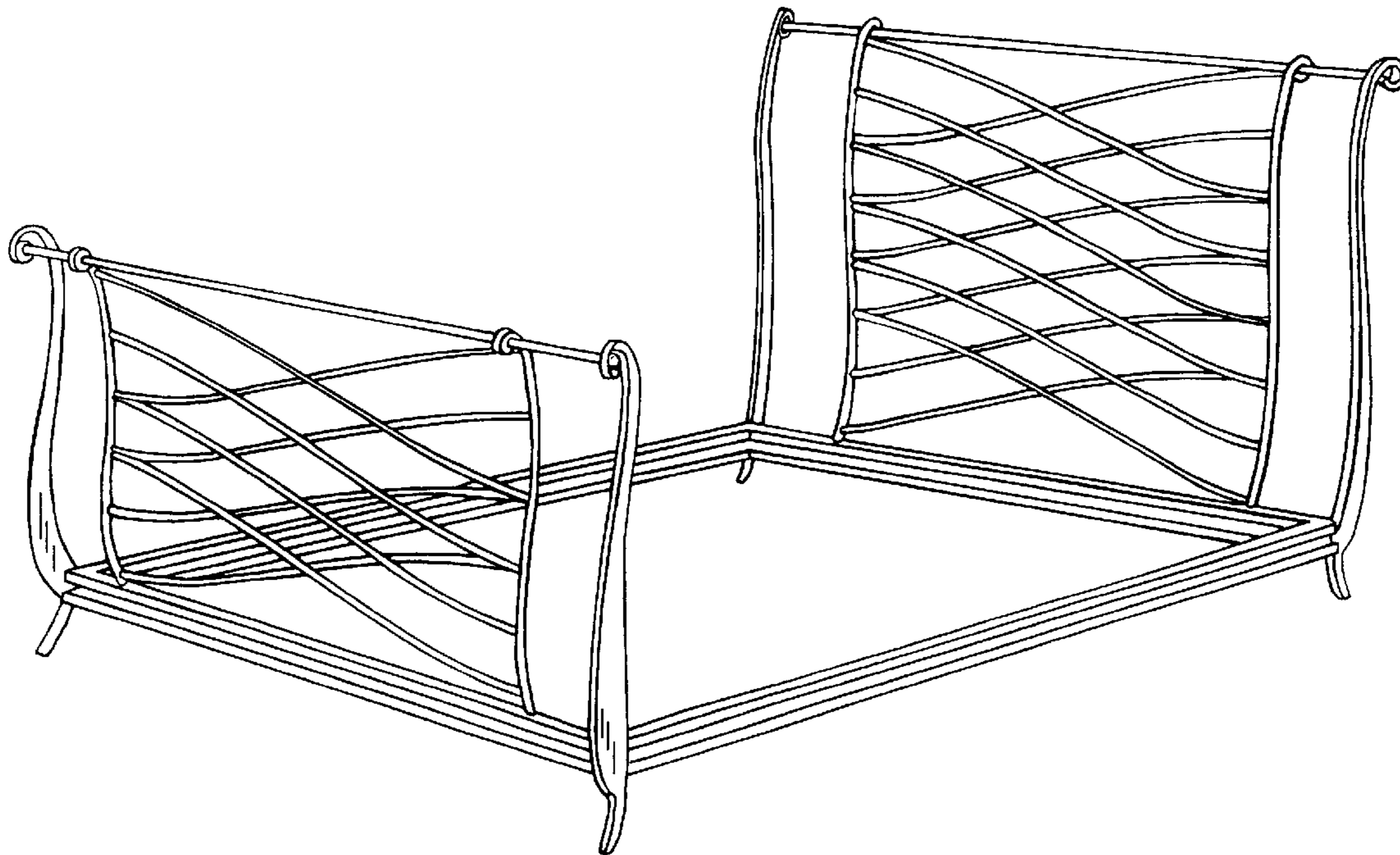
[57] **CLAIM**

The ornamental design for a bed frame, as shown and described.

DESCRIPTION

FIG. 1 is a front perspective view of the bed frame of the present invention showing my new design; FIG. 2 is a side elevational view, the opposite side being a mirror image thereof; and, FIG. 3 is a rear elevational view thereof.

1 Claim, 1 Drawing Sheet



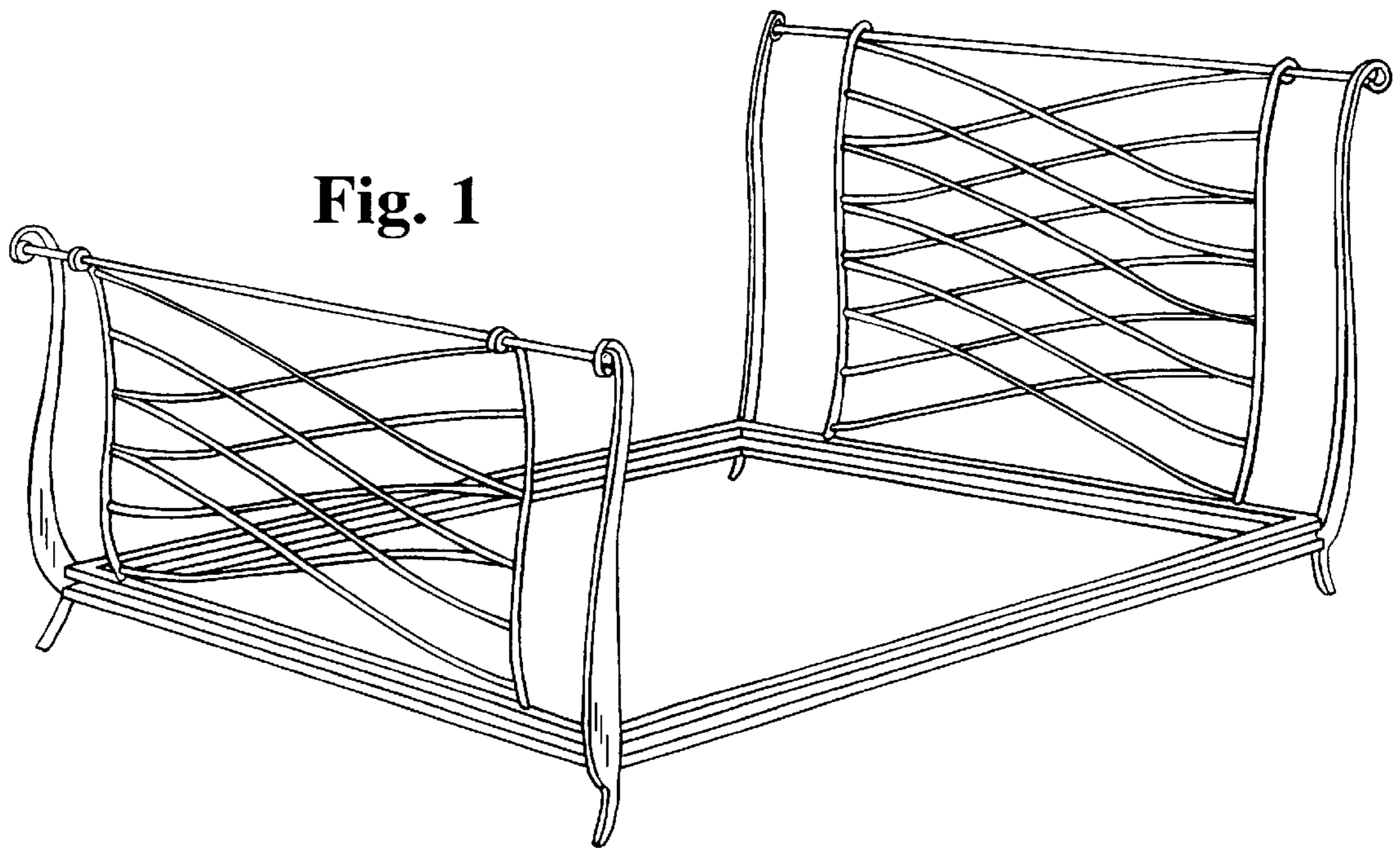


Fig. 2

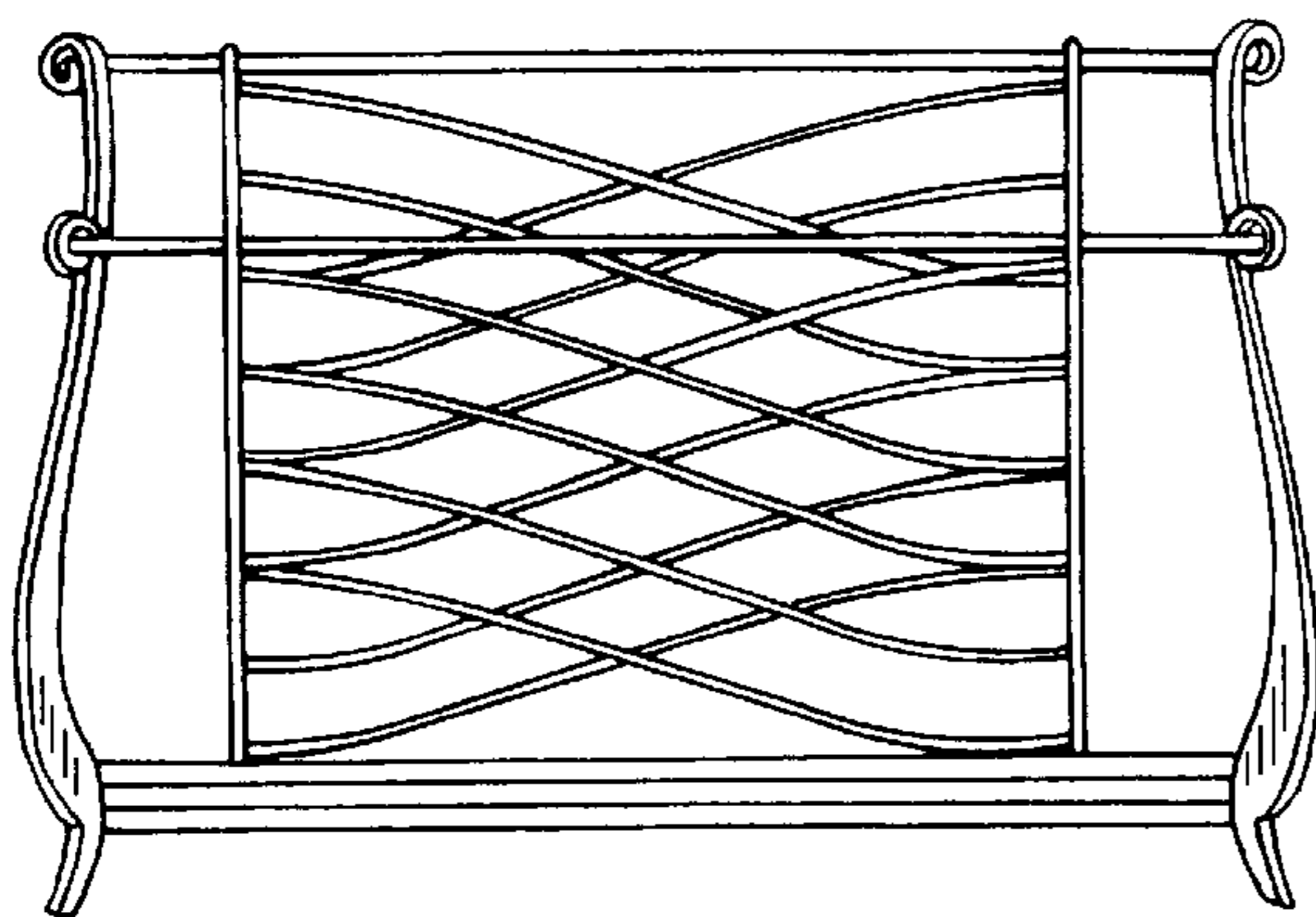
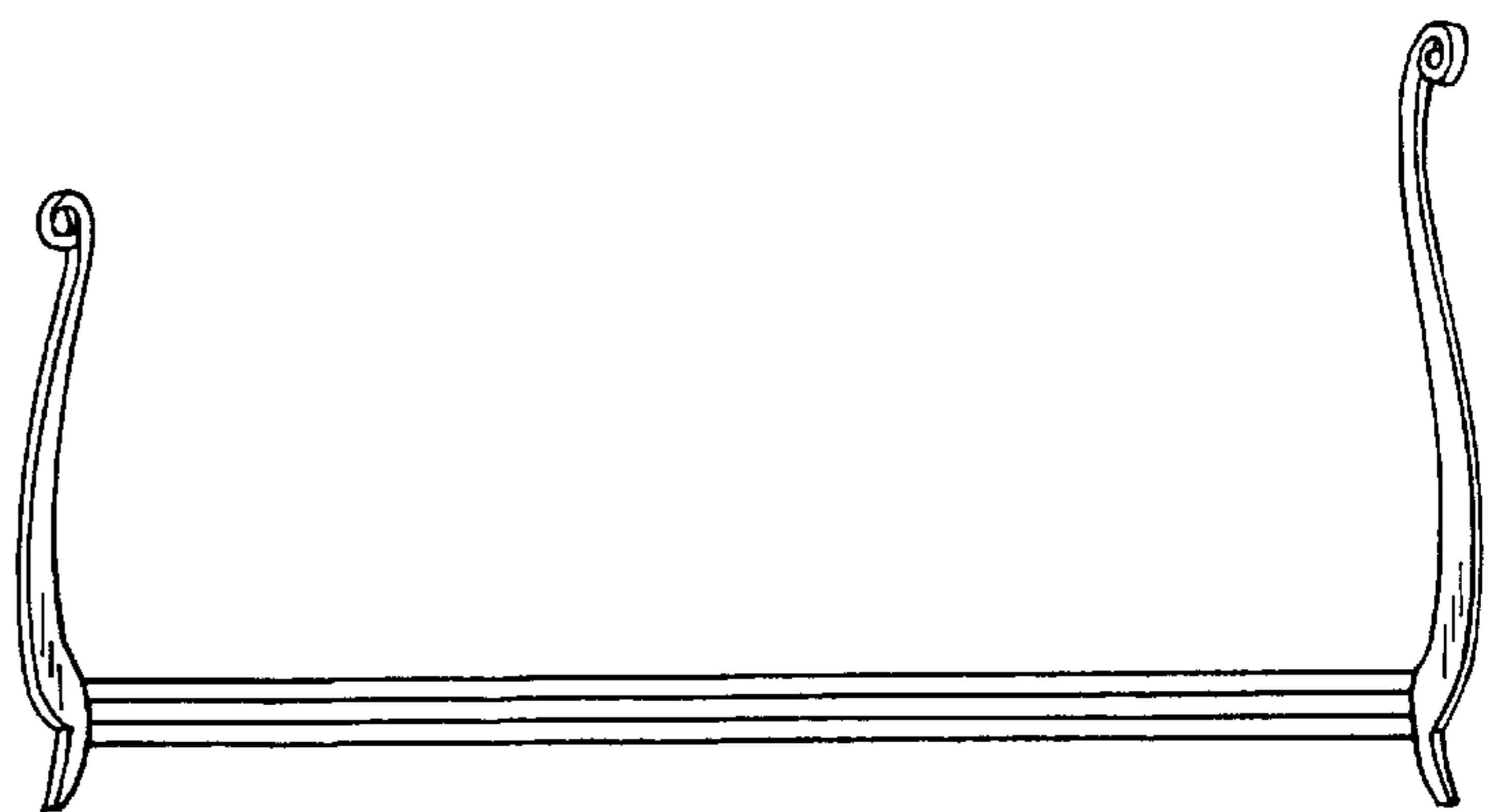


Fig. 3