



US00D417968S

United States Patent [19] Van Rhienen

[11] **Patent Number: Des. 417,968**

[45] **Date of Patent: ** Dec. 28, 1999**

[54] **STACKABLE CHAIR**

[75] Inventor: **Alphons Van Rhienen**, Schoten, Belgium

[73] Assignee: **Euro United Corporation**, Oakville, Canada

[**] Term: **14 Years**

[21] Appl. No.: **29/104,932**

[22] Filed: **May 13, 1999**

Related U.S. Application Data

[62] Division of application No. 29/090,891, Jul. 20, 1998.

[30] Foreign Application Priority Data

May 26, 1998 [CA] Canada 1300

[51] **LOC (6) Cl.** **06-01**

[52] **U.S. Cl.** **D6/370; D6/375; D6/379**

[58] **Field of Search** D6/334, 370, 374, D6/375, 376, 379, 380, 500, 501, 502; 297/239, 445.1, 446.1, DIG. 2

[56] References Cited

U.S. PATENT DOCUMENTS

D. 287,673 1/1987 Verschuren D6/379

D. 331,324	12/1992	Grosfillex	D6/375
D. 336,382	6/1993	Hubert	D6/370
D. 338,347	8/1993	Hubert	D6/370
D. 361,902	9/1995	Van Skiver	D6/370
D. 364,748	12/1995	Morin	D6/370
D. 373,255	9/1996	Gresens	D6/379
D. 373,473	9/1996	Grosfillex	D6/370
D. 376,269	12/1996	Grosfillex	D6/370
D. 389,329	1/1998	Krause et al.	D6/370
5,044,691	9/1991	Guichon	D6/370 X

Primary Examiner—Gary D. Watson
Attorney, Agent, or Firm—Barrigar & Moss

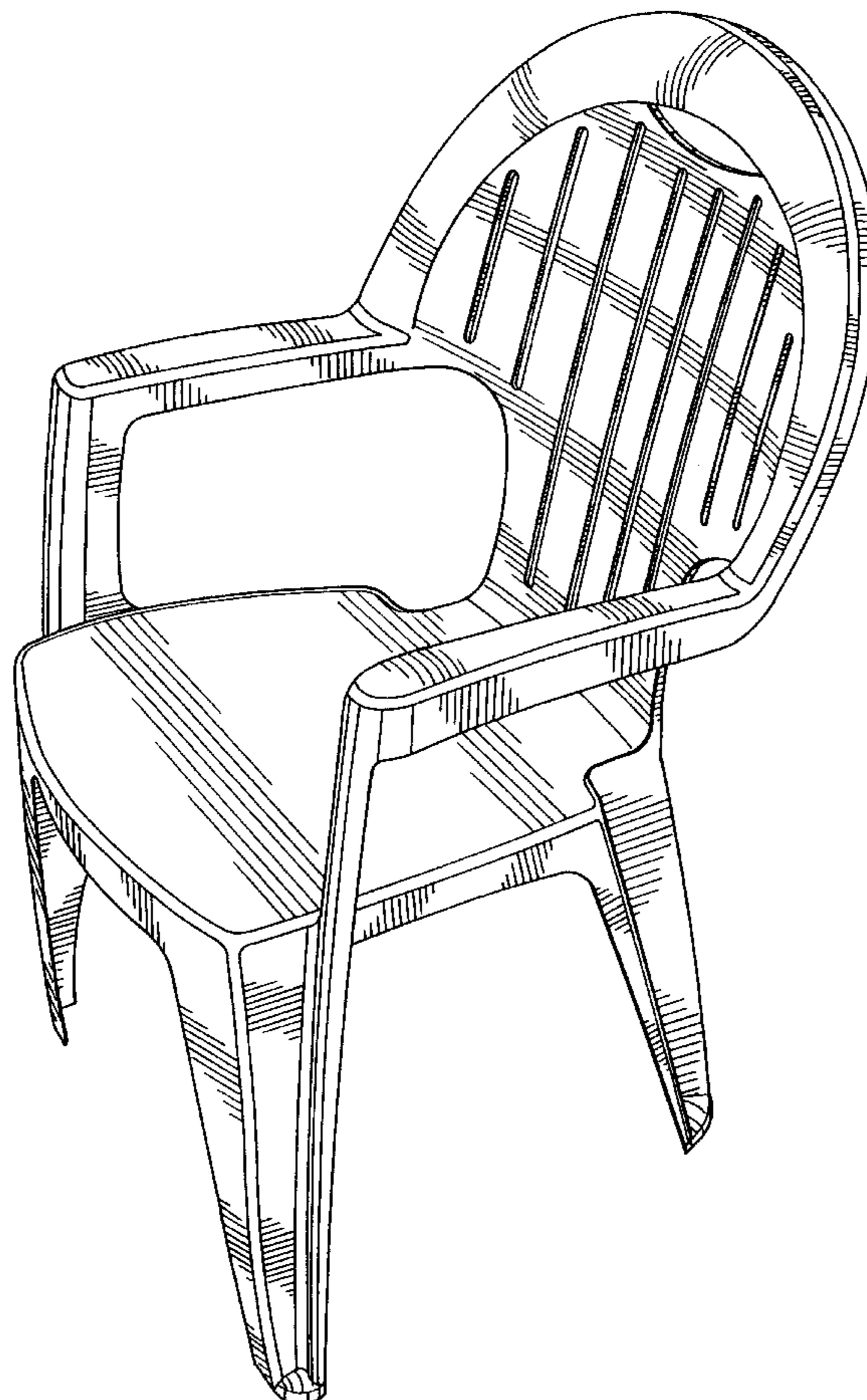
[57] CLAIM

The ornamental design for a stackable chair, as shown and described.

DESCRIPTION

FIG. 1 is a perspective view of a stackable chair, this view being taken from above and from the left side; FIG. 2 is a right side view of the stackable chair; FIG. 3 is a front view of the stackable chair; FIG. 4 is a top view of the stackable chair; and, FIG. 5 is a rear view of the stackable chair. FIGS. 2 through 5 have been shown on a reduced scale with respect to FIG. 1.

1 Claim, 3 Drawing Sheets



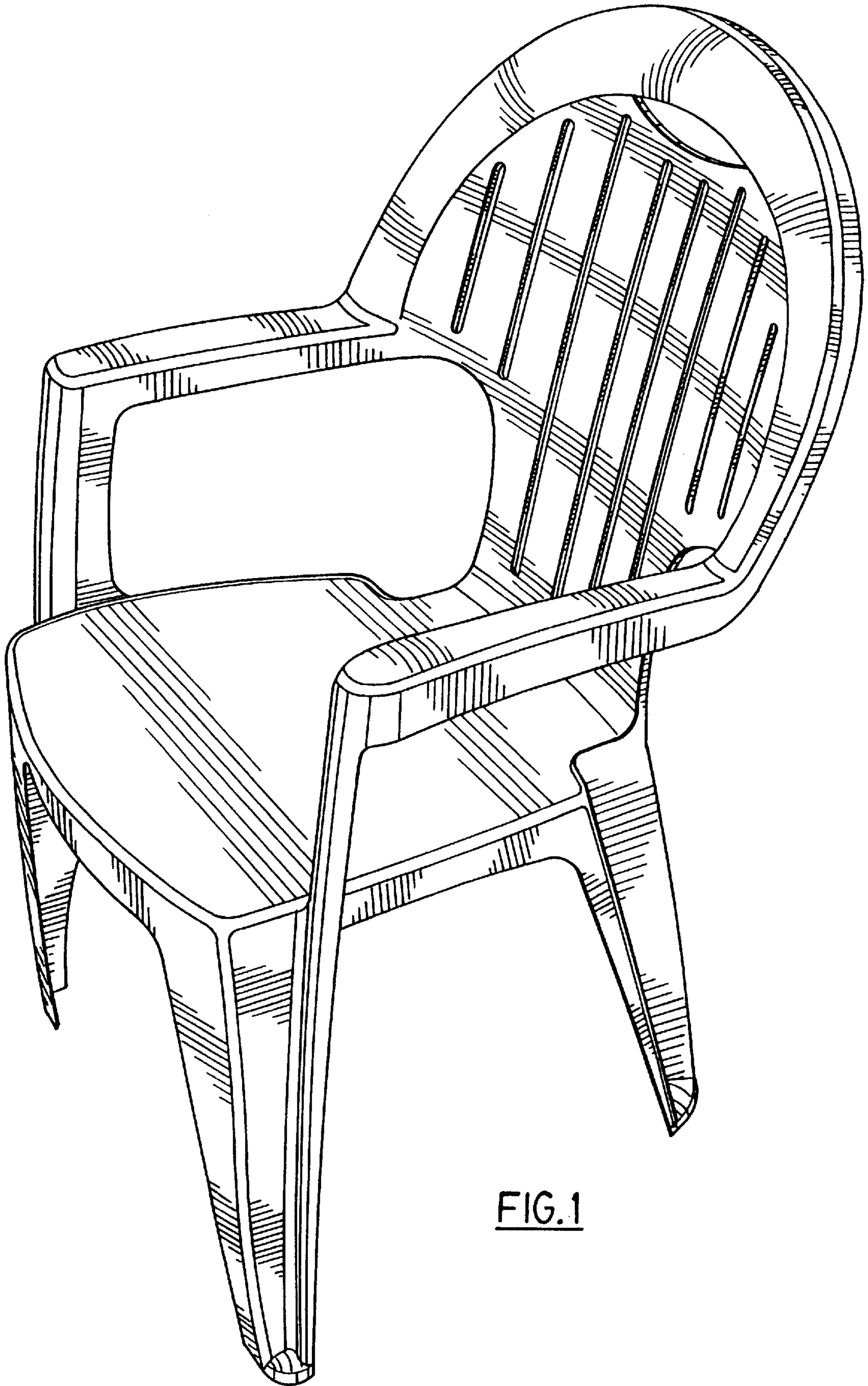


FIG. 1

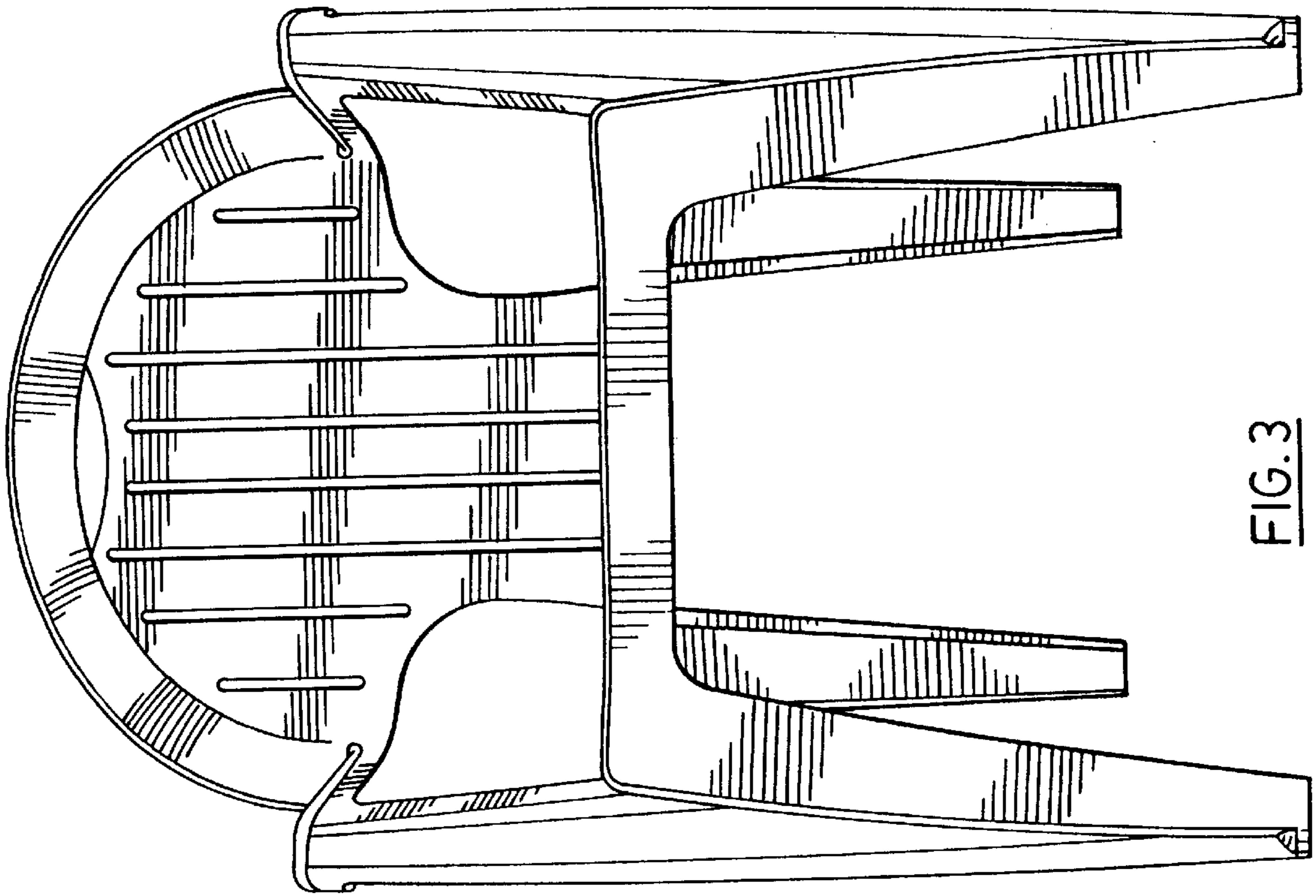


FIG. 3

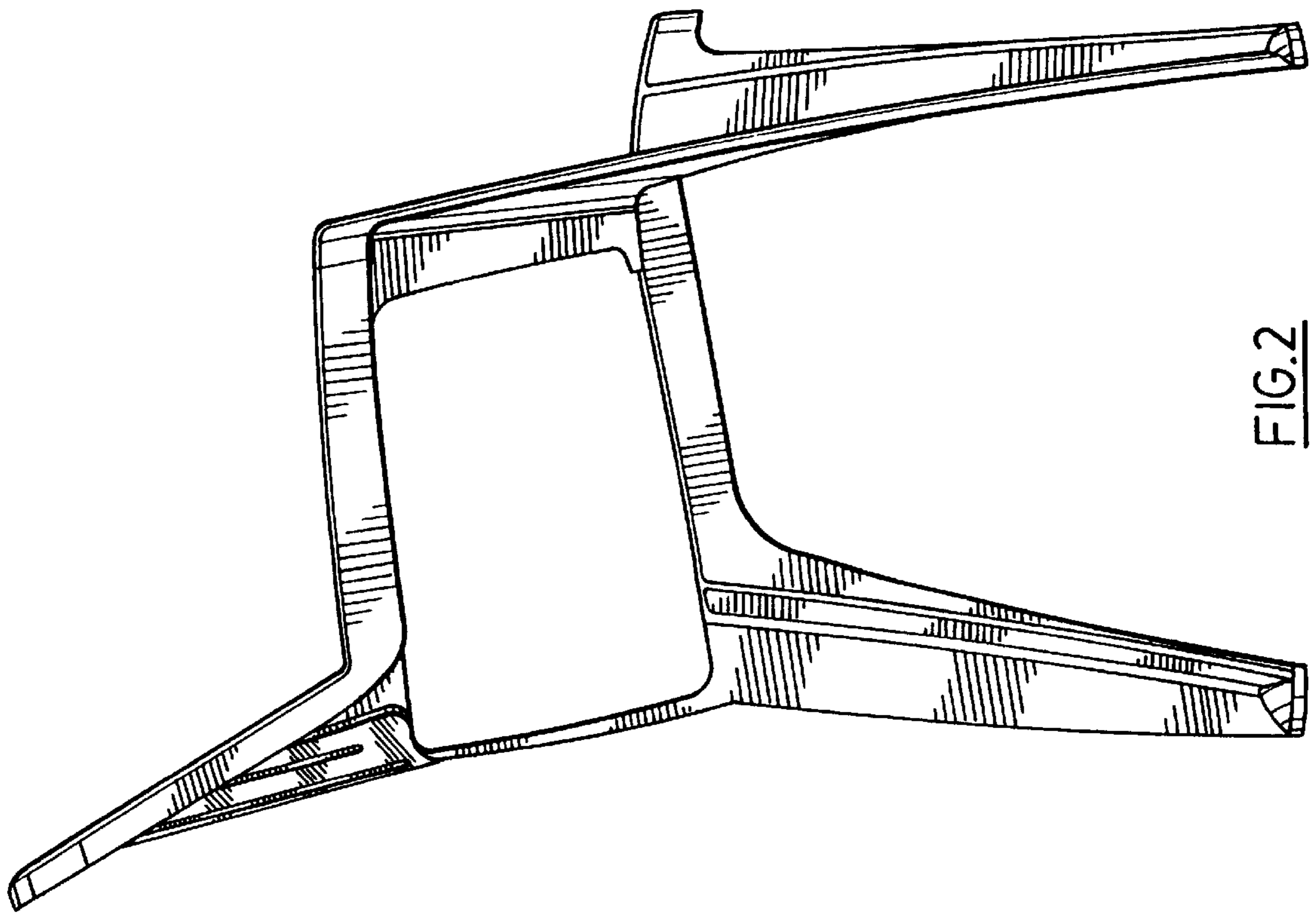


FIG. 2

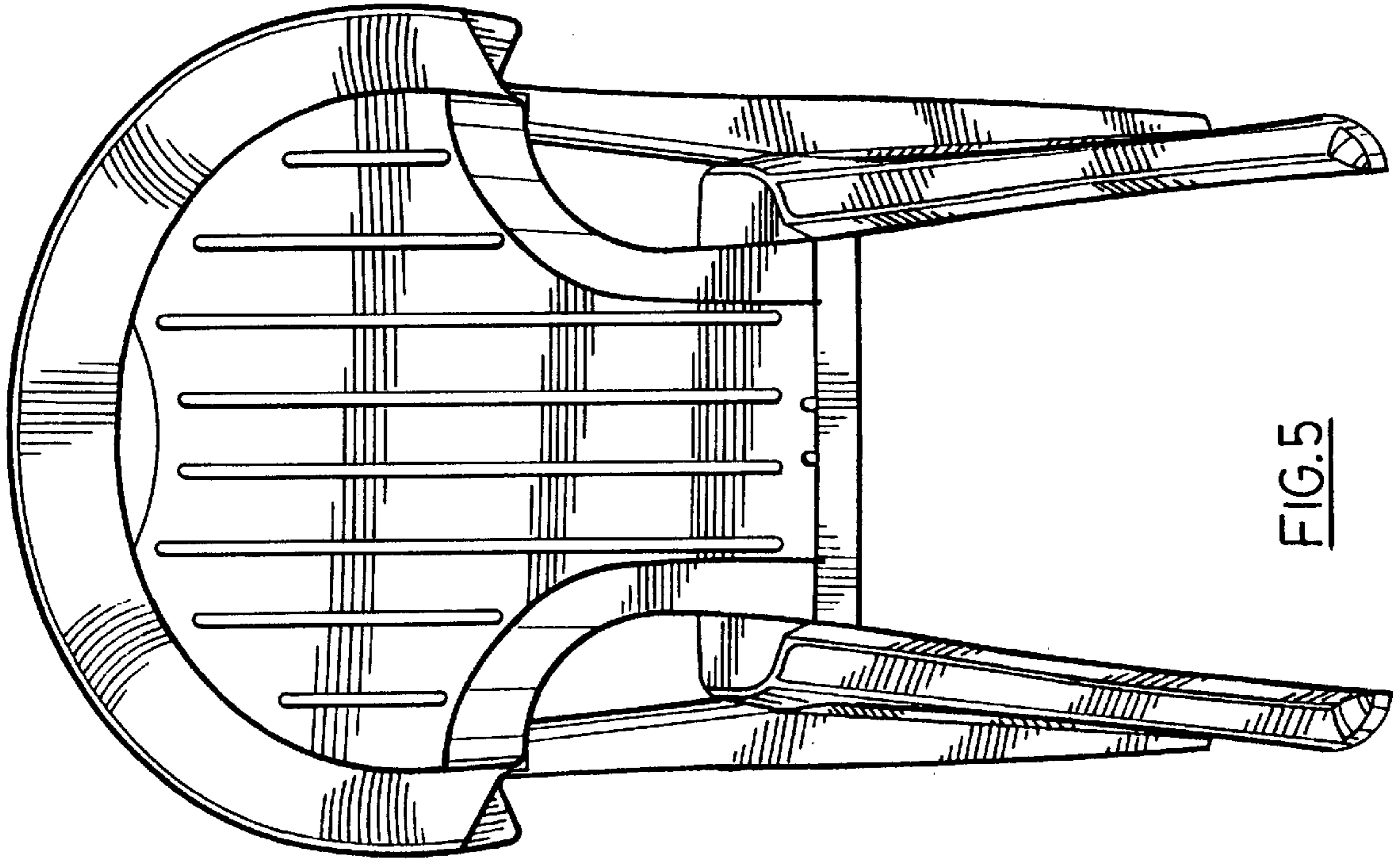


FIG. 5

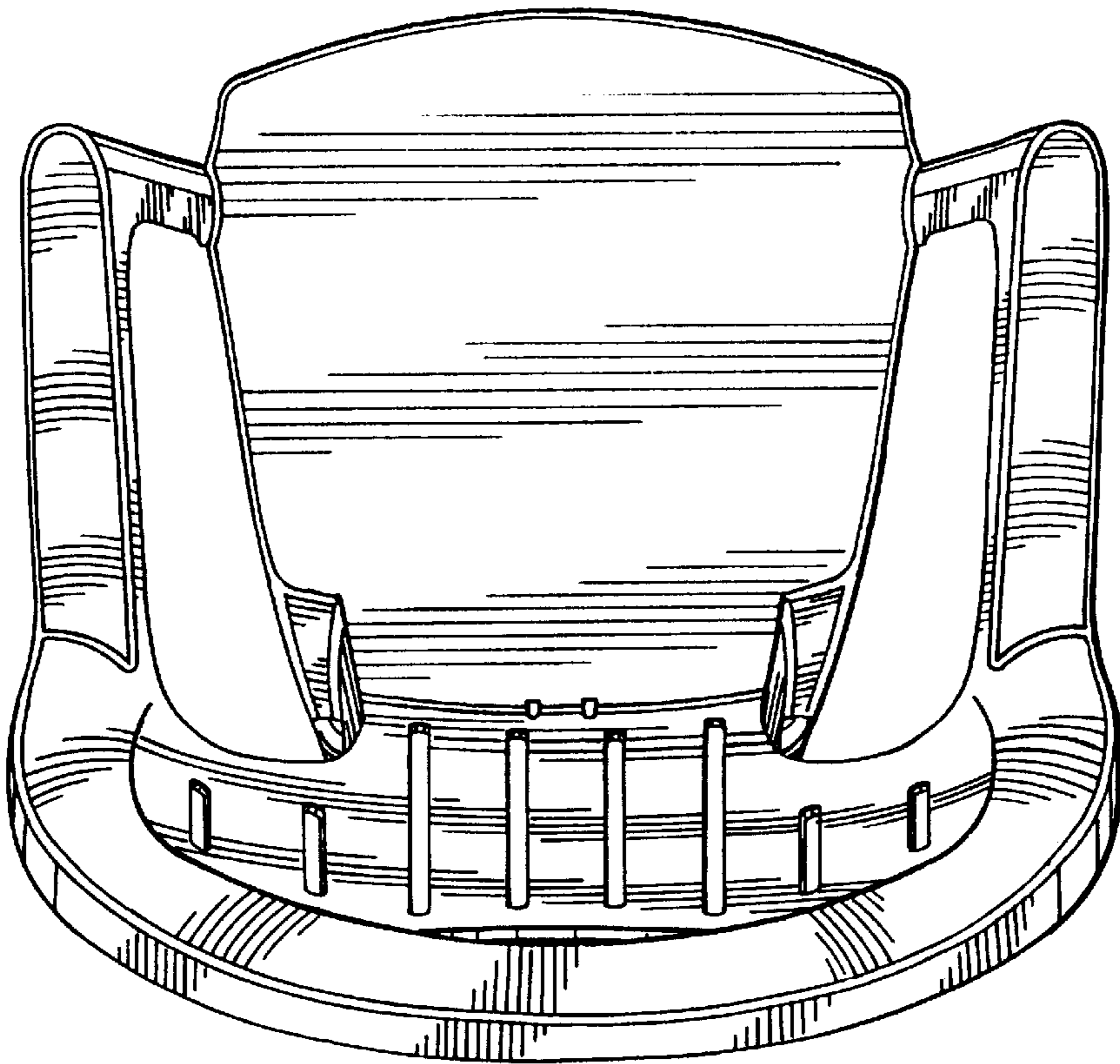


FIG. 4