



US00D417965S

United States Patent [19]

[11] Patent Number: **Des. 417,965**

Strong et al.

[45] Date of Patent: **** Dec. 28, 1999**

[54] **FOUR BENCH TABLE**

[75] Inventors: **L. Curtis Strong**, Clearfield; **S. Curtis Nye**, South Ogden, both of Utah

[73] Assignee: **Lifetime Products, Inc.**, Clearfield, Utah

[**] Term: **14 Years**

[21] Appl. No.: **29/098,484**

[22] Filed: **Dec. 30, 1998**

[51] **LOC (6) Cl.** **06-01**

[52] **U.S. Cl.** **D6/337**

[58] **Field of Search** D6/334, 337, 369, D6/370, 500, 501, 502; 297/157.1, 158.1

[56] **References Cited**

U.S. PATENT DOCUMENTS

| | | | |
|------------|---------|-------------------------|---------|
| D. 242,305 | 11/1976 | Campbell et al. | D6/337 |
| D. 280,367 | 9/1985 | Reamer, Jr. et al. | D6/337 |
| D. 327,778 | 7/1992 | Crawford | D6/337 |
| D. 348,989 | 7/1994 | Pomeroy et al. | D6/337 |
| D. 357,590 | 4/1995 | Noll | D6/337 |
| D. 368,807 | 4/1996 | Noll | D6/335 |
| D. 396,356 | 7/1998 | Peterson | D6/337 |
| 2,788,059 | 4/1957 | Mackintosh | 155/124 |
| 2,992,043 | 7/1961 | Nelson | 297/159 |
| 3,414,301 | 12/1968 | Crowe | D6/337 |
| 4,653,804 | 3/1987 | Yoo et al. | D6/337 |

Primary Examiner—Doris V. Coles
Assistant Examiner—Mimosa De
Attorney, Agent, or Firm—Madson & Metcalf

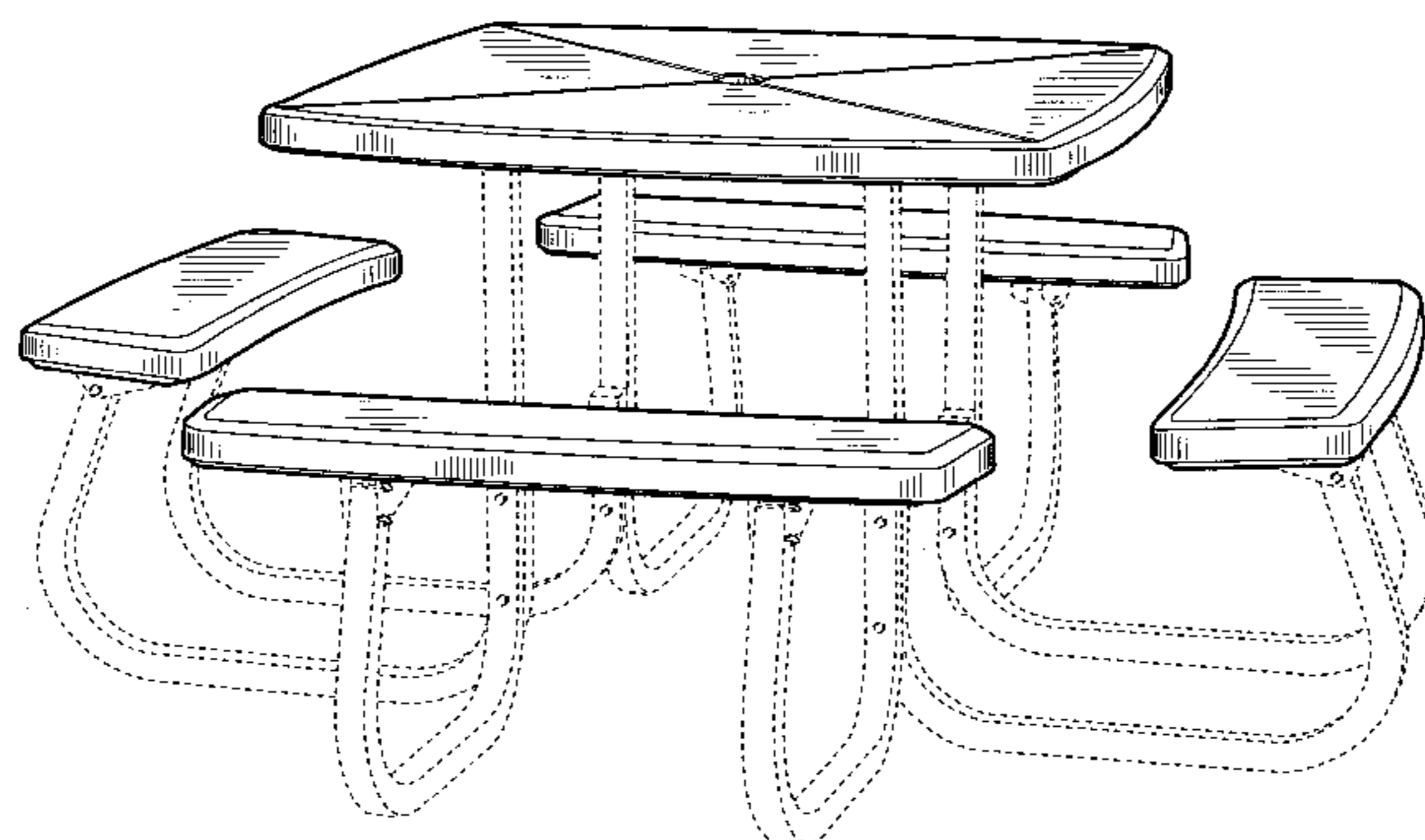
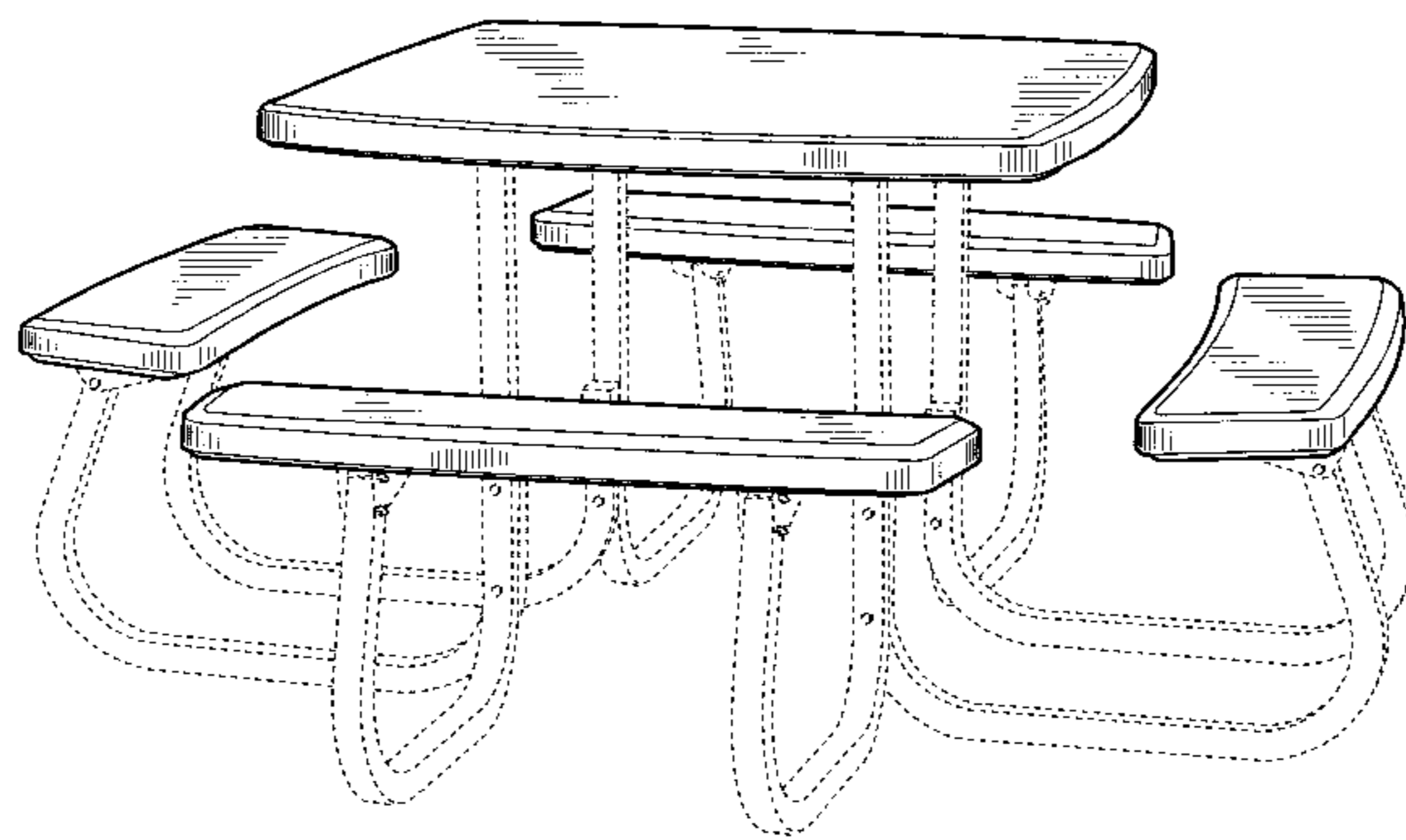
[57] **CLAIM**

The ornamental design for a four bench table, as shown and described.

DESCRIPTION

FIG. 1 is a perspective view of a four bench table showing a first preferred embodiment of our new design;
 FIG. 2 is a right side elevational view of the embodiment of FIG. 1;
 FIG. 3 is a left side elevational view of the embodiment of FIG. 1;
 FIG. 4 is a front elevational view of the embodiment of FIG. 1;
 FIG. 5 is a rear elevational view of the embodiment of FIG. 1;
 FIG. 6 is a top plan view of the embodiment of FIG. 1;
 FIG. 7 is a bottom plan view of the embodiment of FIG. 1;
 FIG. 8 is a perspective view of a four bench table showing a second preferred embodiment of our design;
 FIG. 9 is a right side elevational view of the embodiment of FIG. 8;
 FIG. 10 is a left side elevational view of the embodiment of FIG. 8;
 FIG. 11 is a front elevational view of the embodiment of FIG. 8;
 FIG. 12 is a rear elevational view of the embodiment of FIG. 8;
 FIG. 13 is a top plan view of the embodiment of FIG. 8; and,
 FIG. 14 is a bottom plan view of the embodiment of FIG. 8.
 The broken line showing of the legs and support structures is for illustrative purposes only and forms no part of the claimed design.

1 Claim, 10 Drawing Sheets



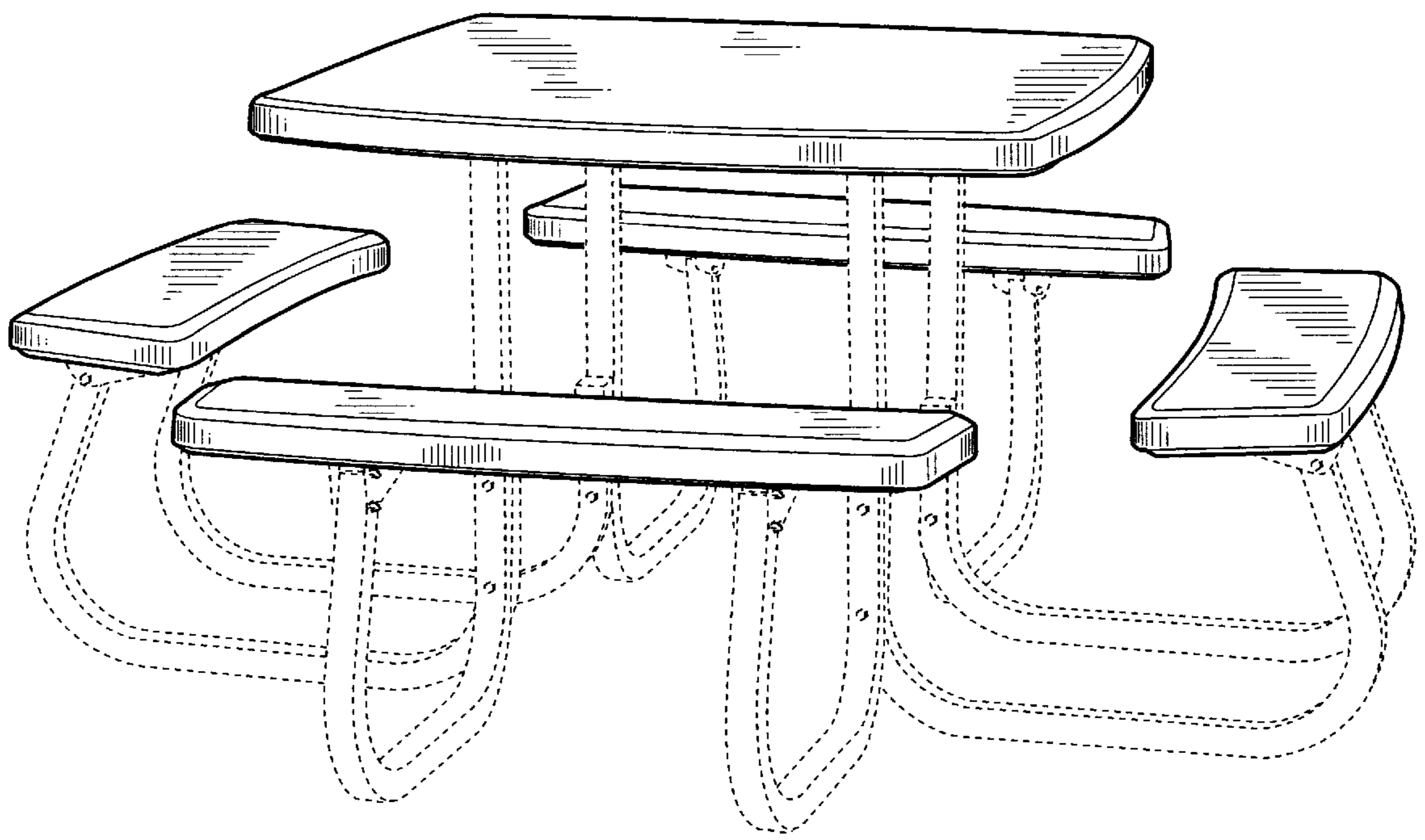


Fig. 1

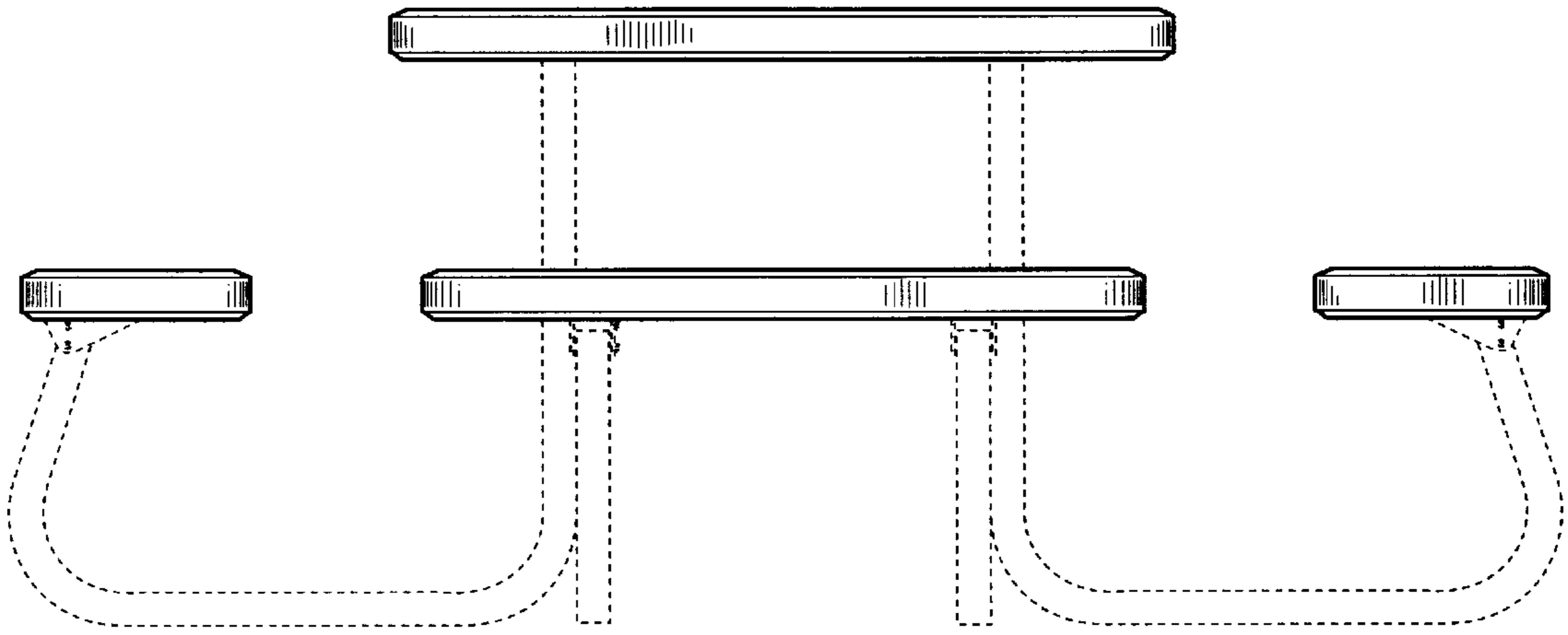


Fig. 2

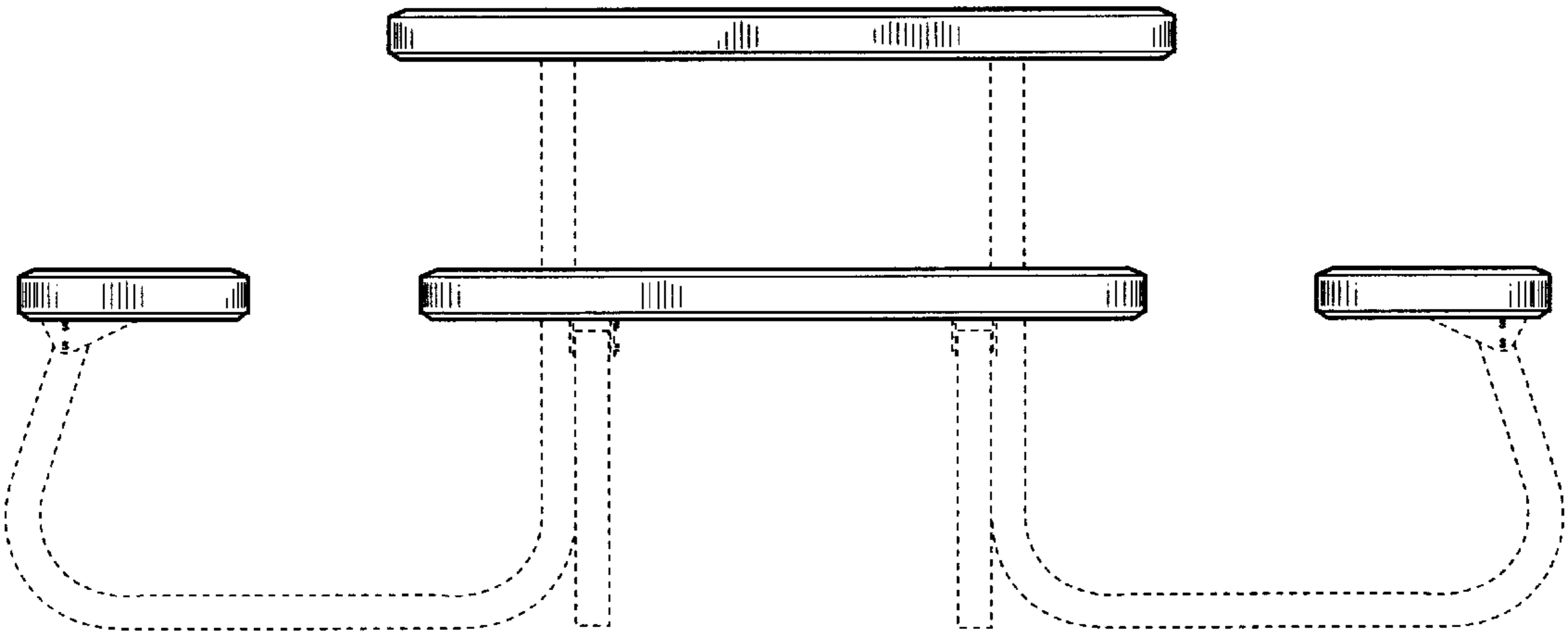


Fig. 3

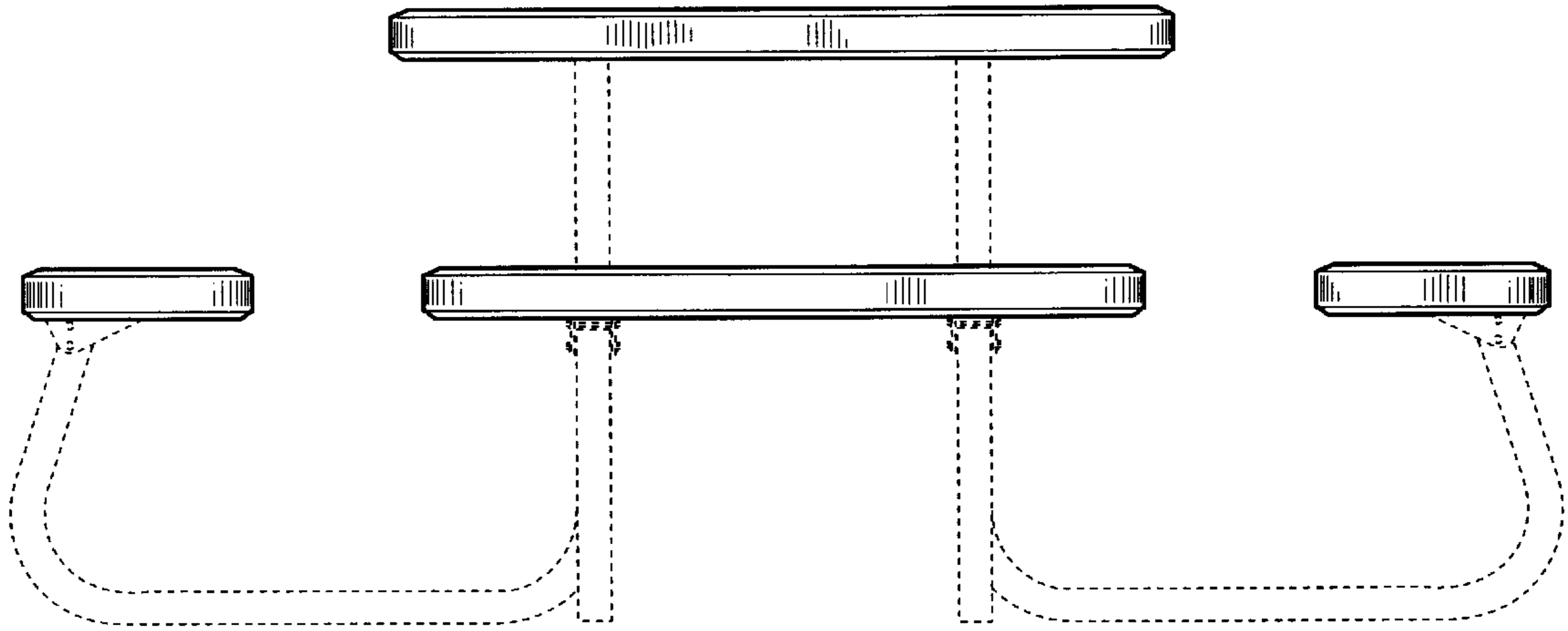


Fig. 4

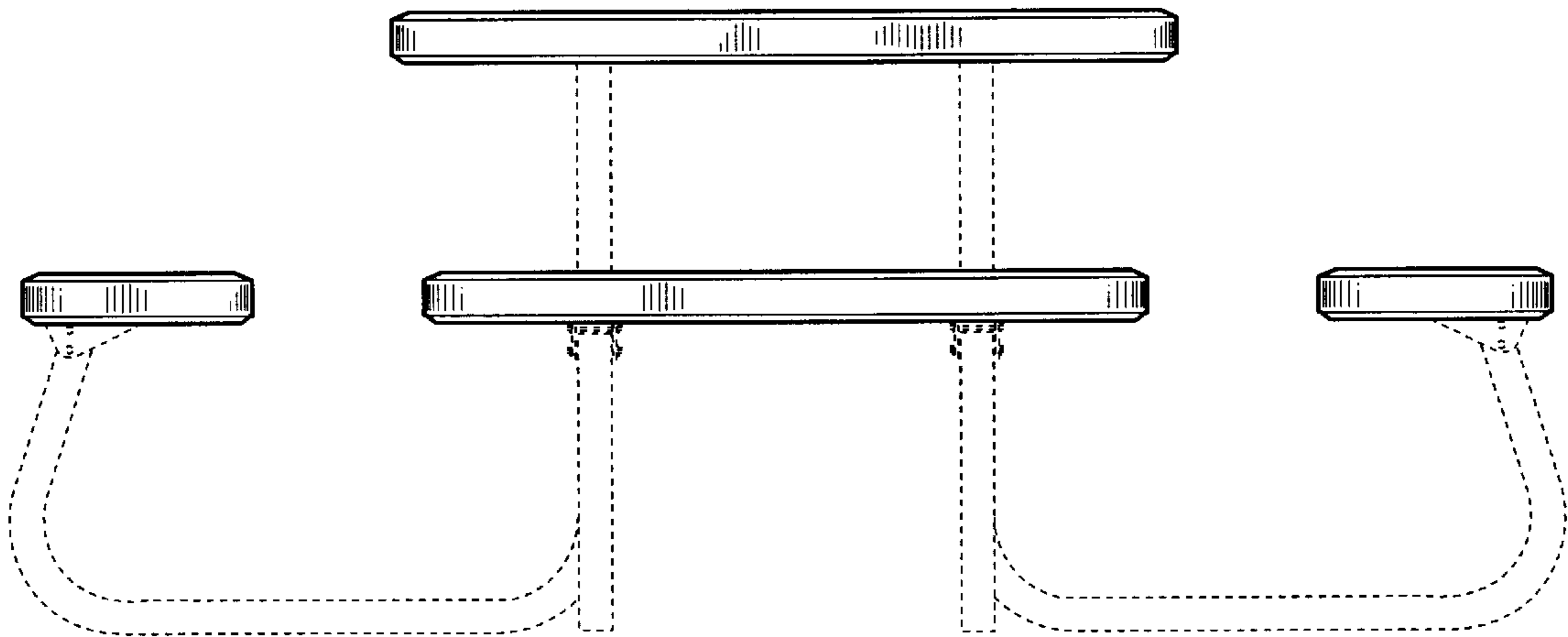


Fig. 5

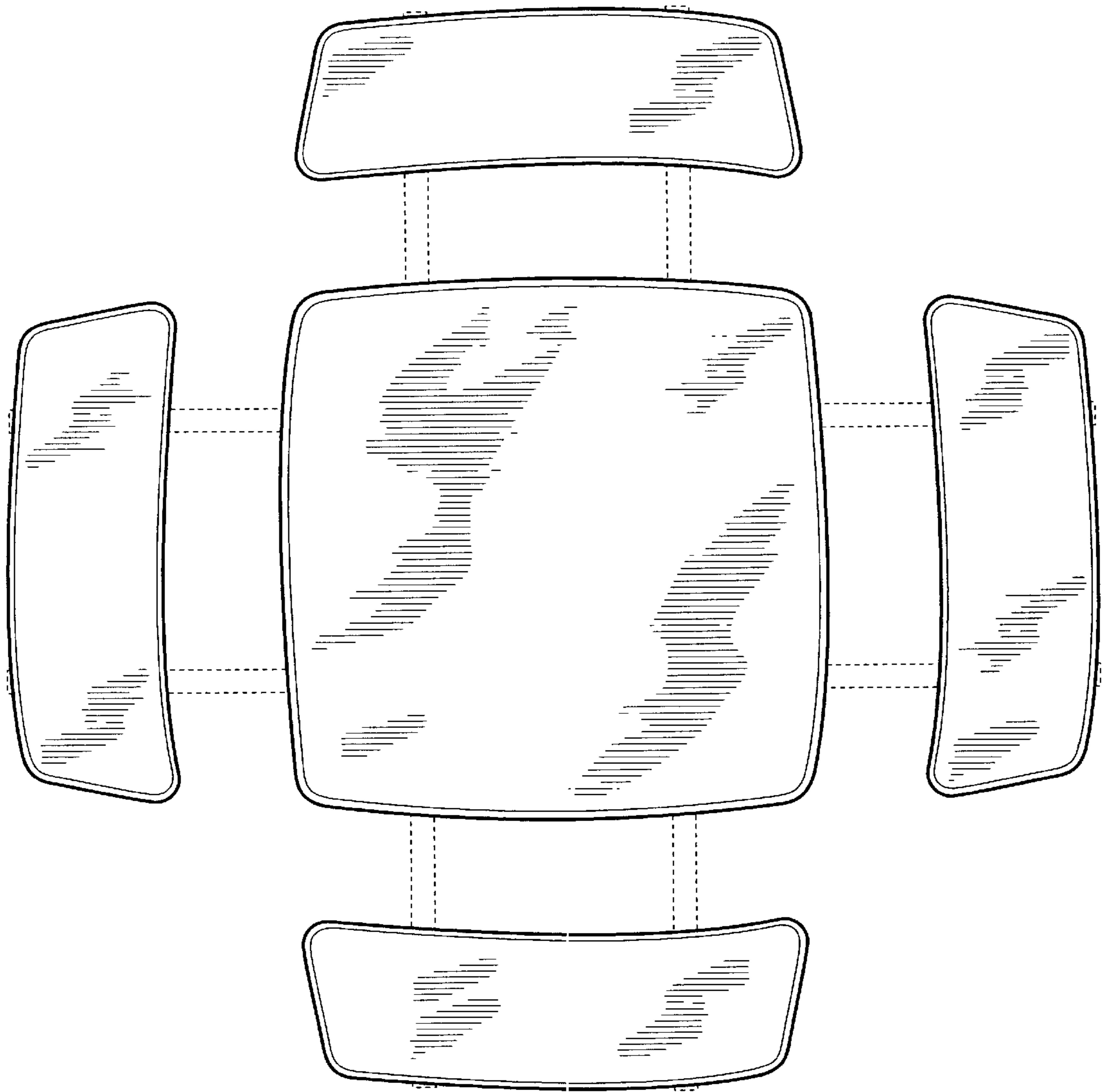


Fig. 6

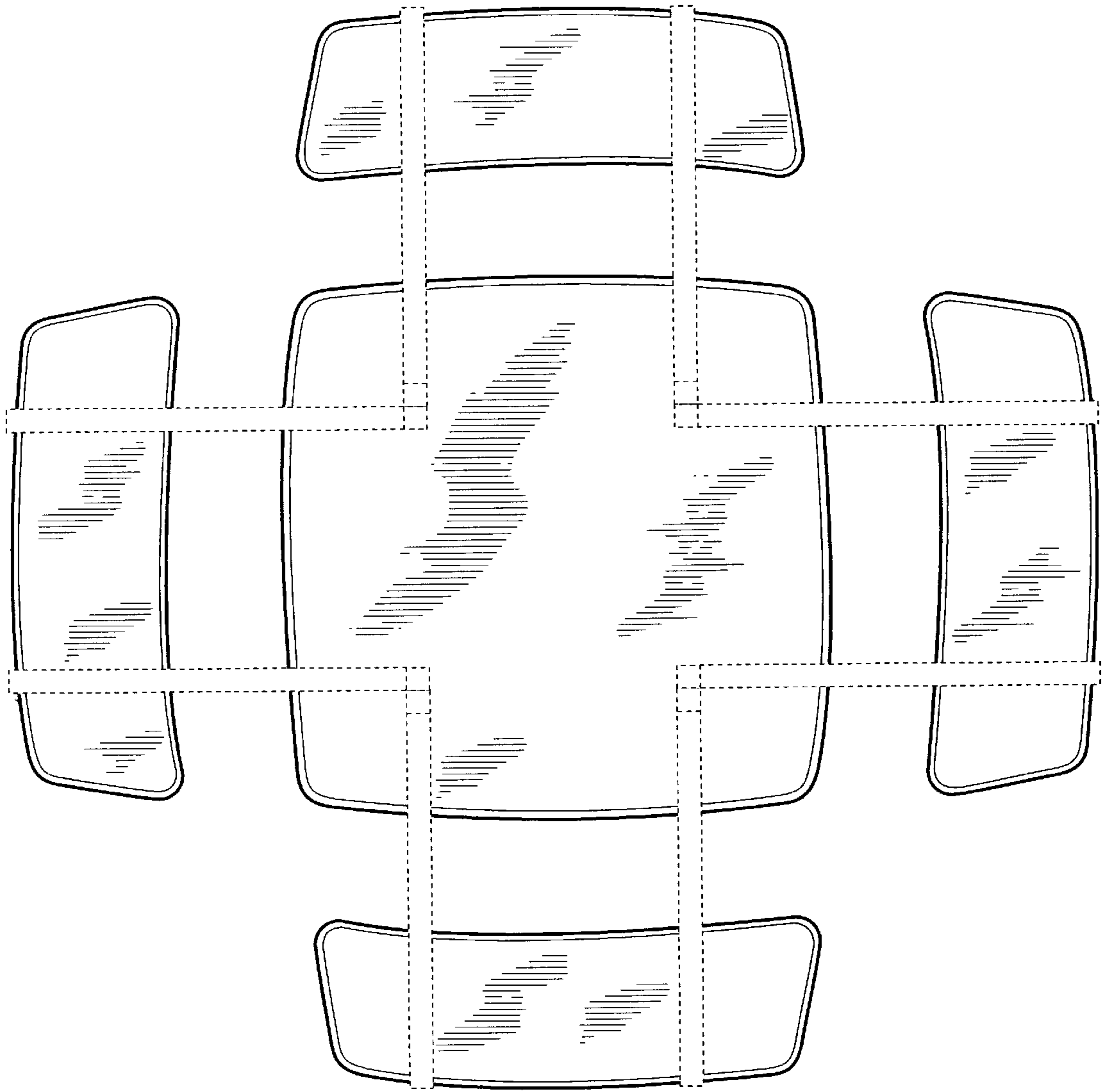


Fig. 7

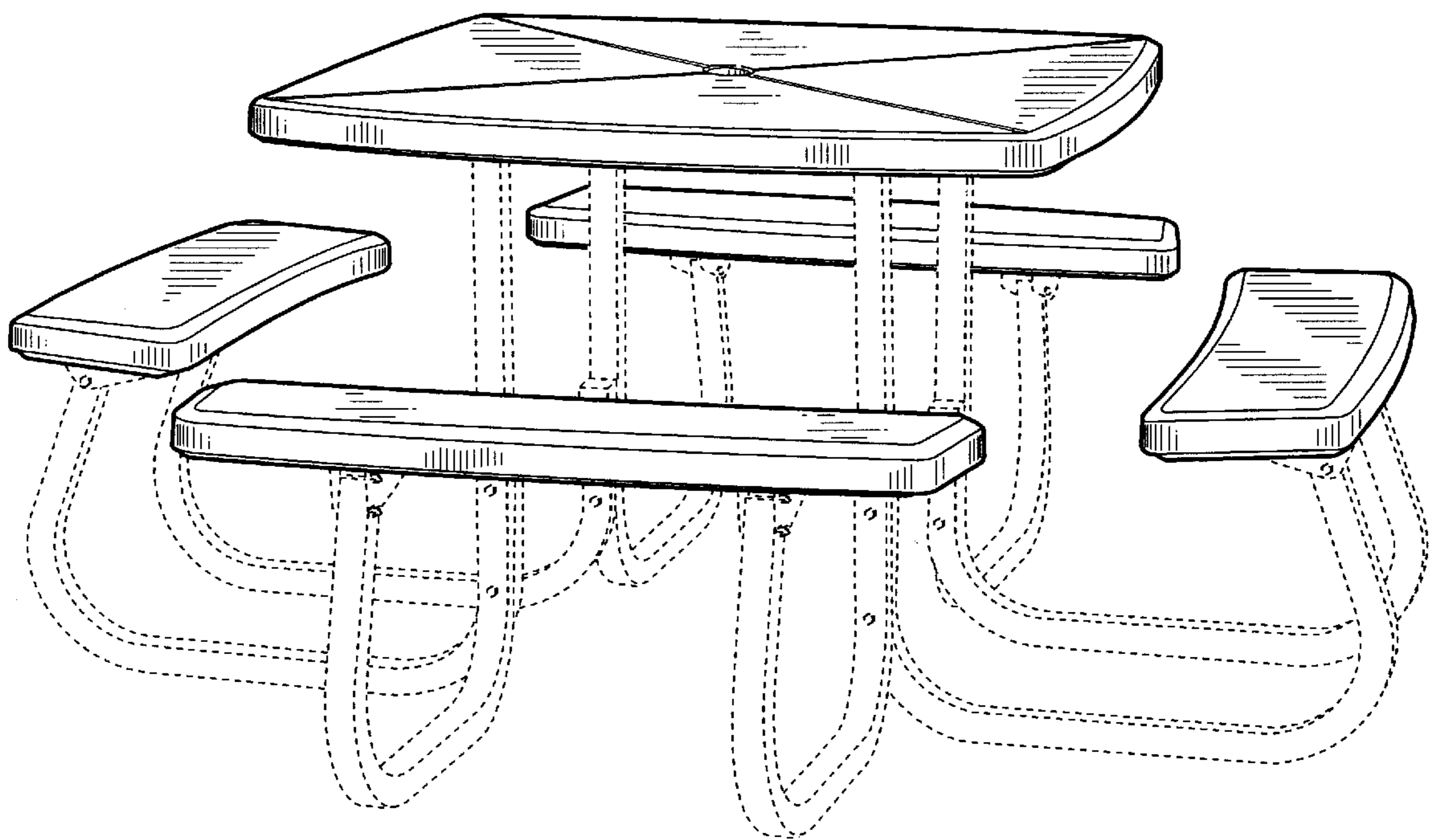


Fig. 8

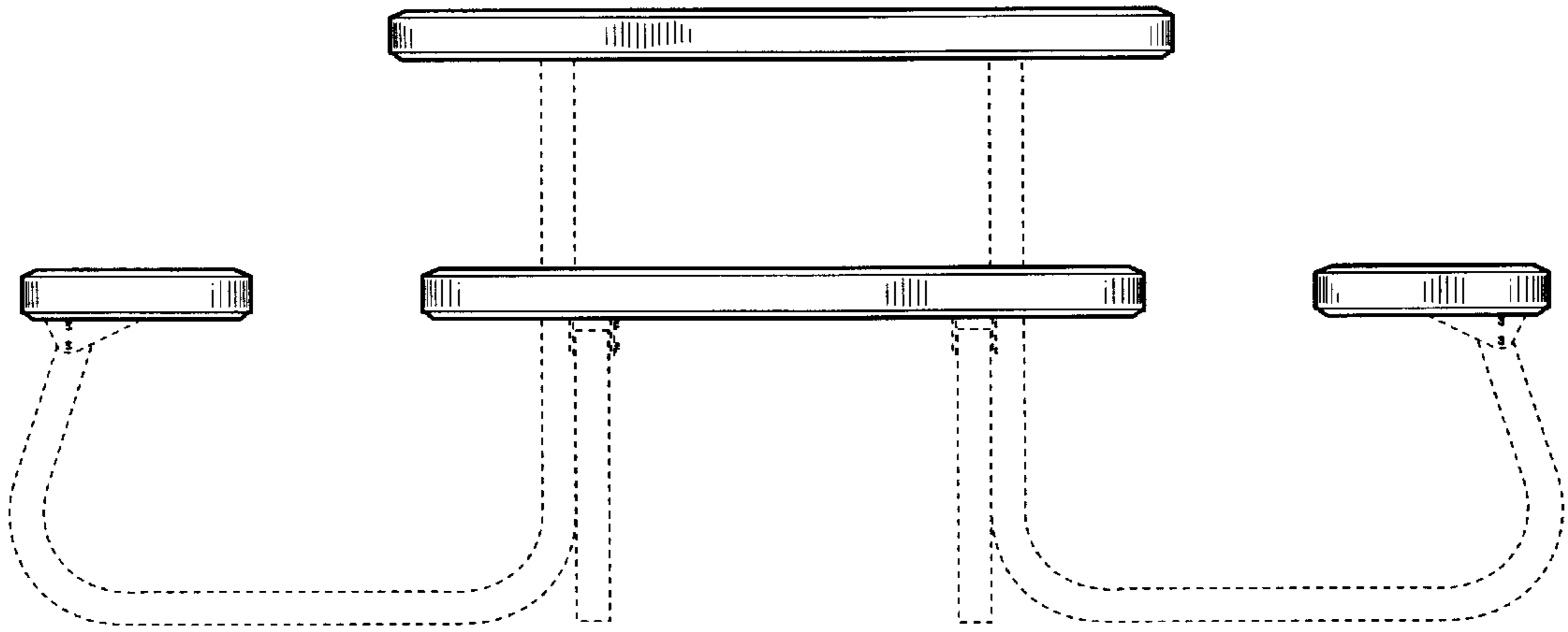


Fig. 9

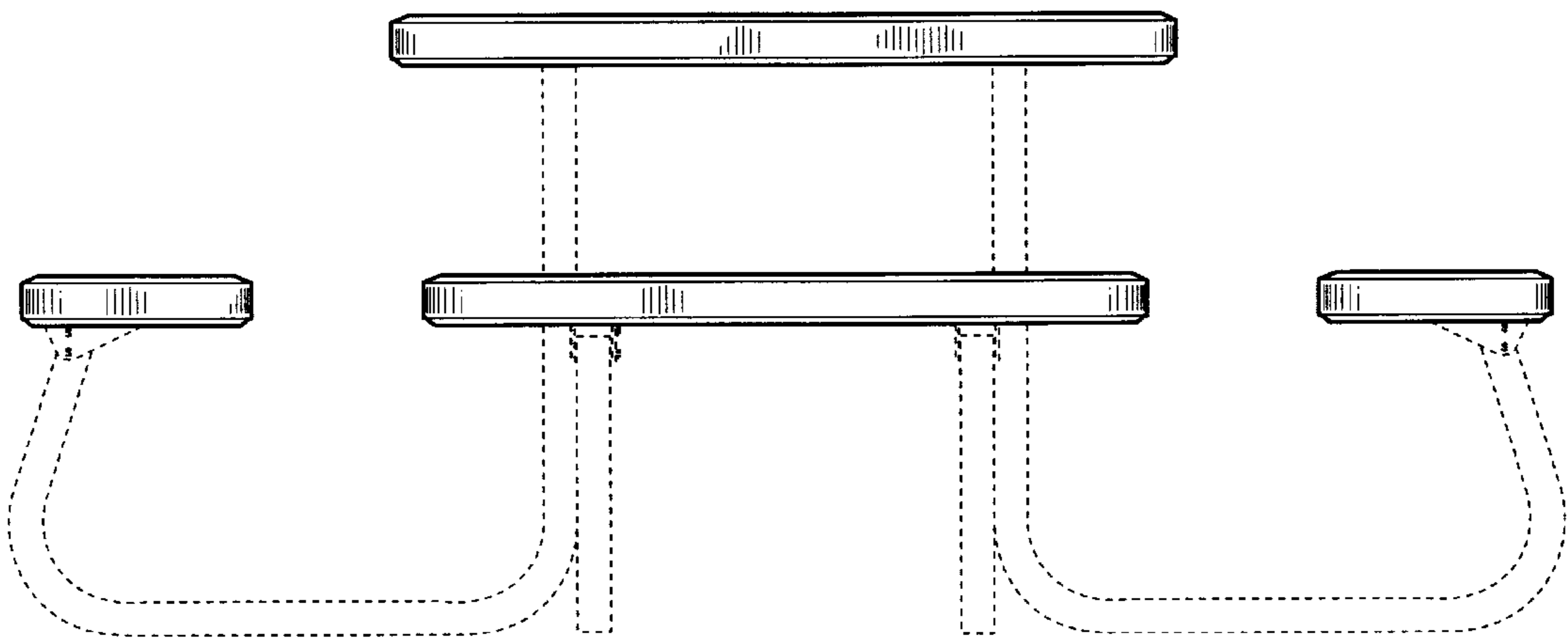


Fig. 10

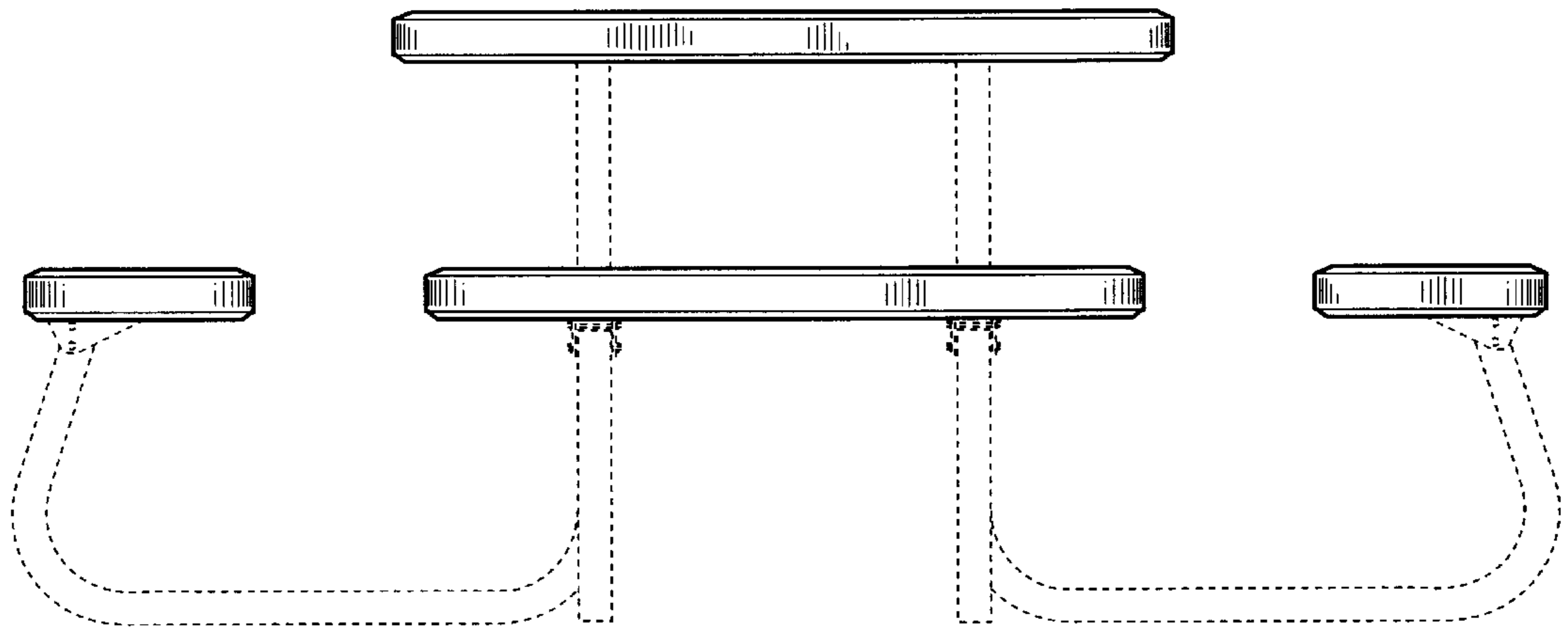


Fig. 11

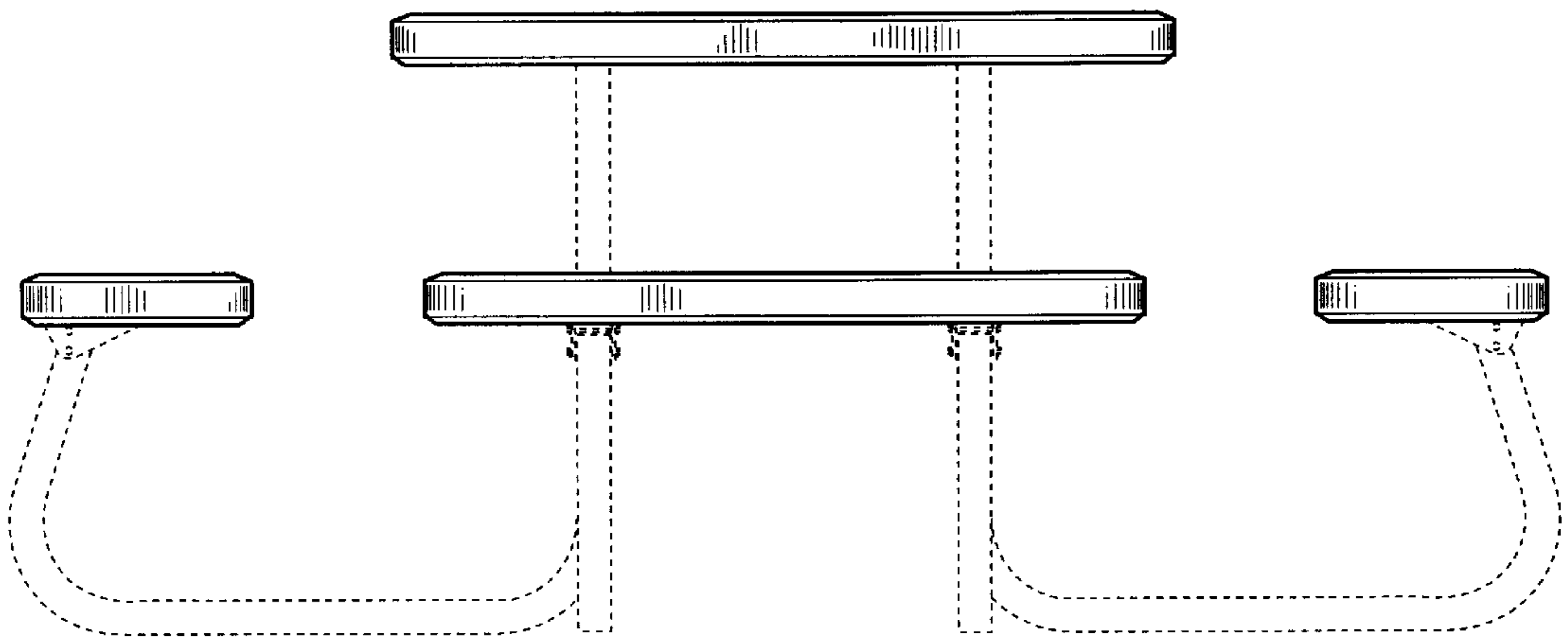


Fig. 12

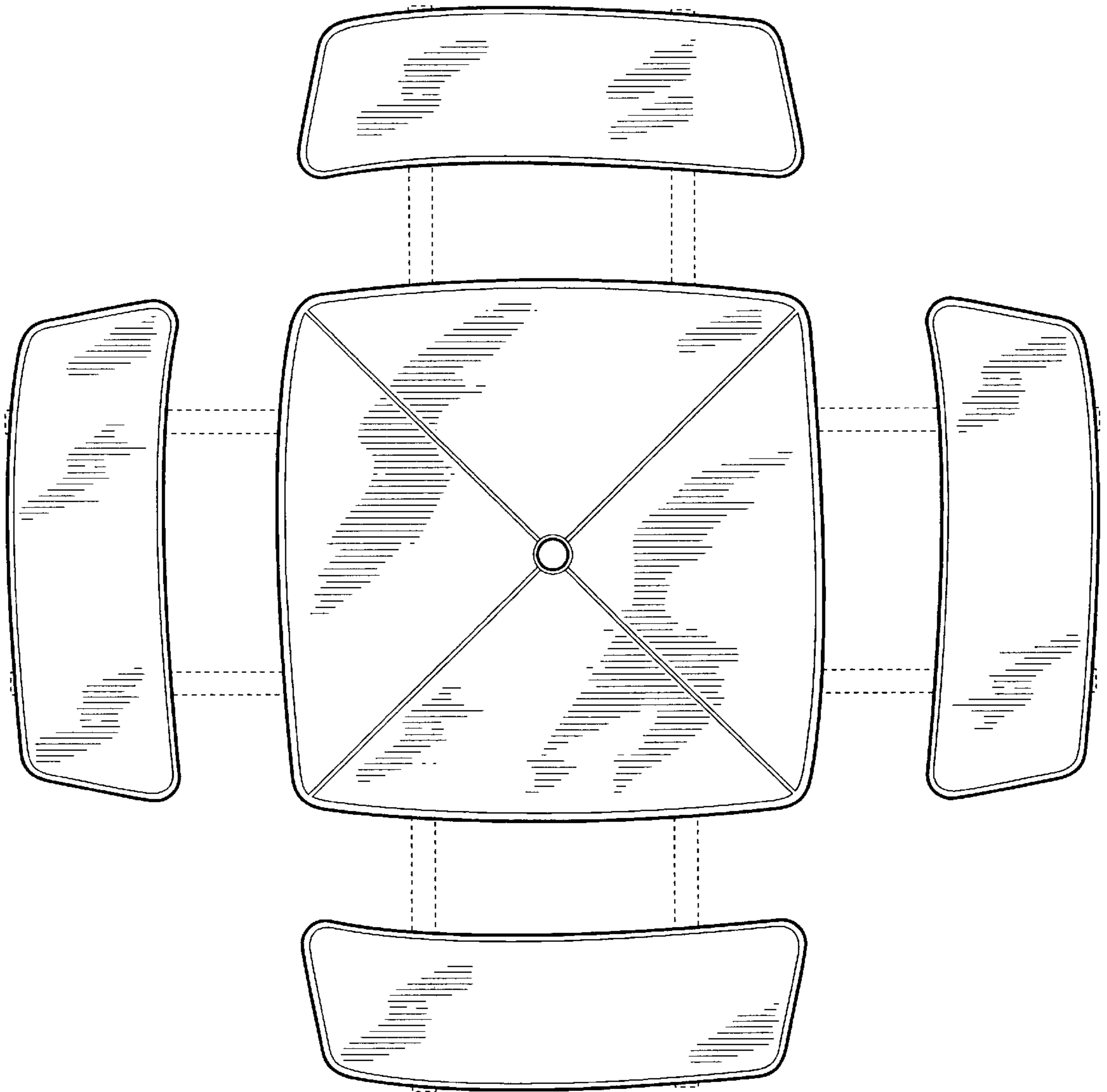


Fig. 13

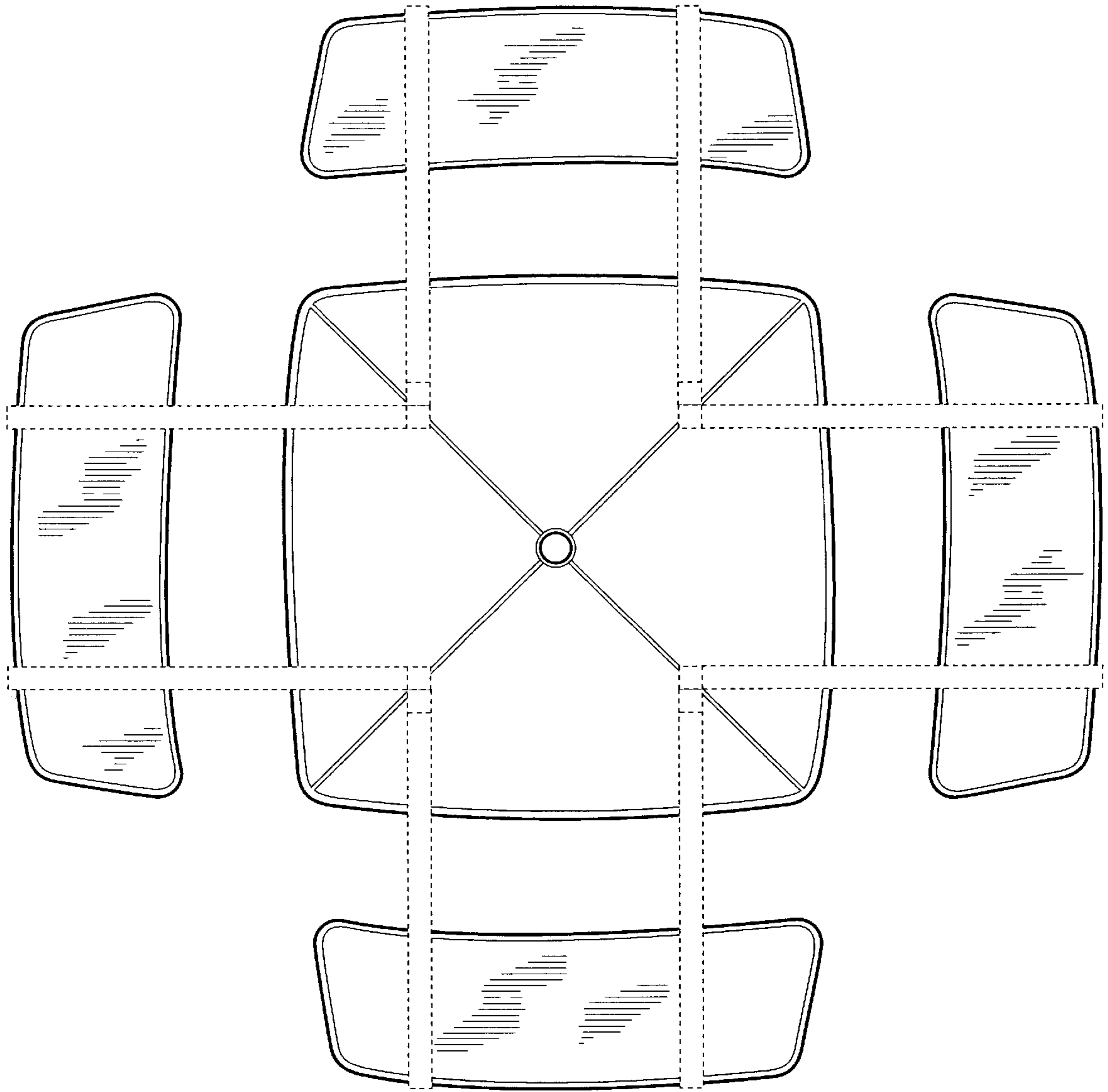


Fig. 14