



US00D417959S

United States Patent [19]

Albaugh, III et al.

[11] Patent Number: **Des. 417,959**

[45] Date of Patent: **** Dec. 28, 1999**

[54] **BELT STRAP AND HOOK FASTENER STRAP FOR PROTECTIVE EYEWEAR CASE**

4,051,554 10/1977 Kallman 224/901.4
4,953,695 9/1990 Tallman 206/5
5,325,959 7/1994 Goldberger 206/5

[76] Inventors: **George Franklin Albaugh, III**, 2225 Santa Ana Dr., Fairfield, Calif. 94533;
Victor A. Baez, P.O. Box 434565, San Ysidro, Calif. 92173

OTHER PUBLICATIONS

Police Supplies catalog, W.S. Darley & Co., No. 145, 1950: "Leather Twister Holder", p. 36, 1950.

[**] Term: **14 Years**

Primary Examiner—Louis S. Zarfes
Assistant Examiner—Robert A. Delehanty
Attorney, Agent, or Firm—Carol D. Titus; James J. Leary

[21] Appl. No.: **29/082,963**

[22] Filed: **Feb. 2, 1998**

[57] CLAIM

Related U.S. Application Data

The ornamental design for a belt strap and hook fastener strap for protective eyewear case, as shown and described.

[63] Continuation-in-part of application No. 29/070,534, May 9, 1997, abandoned.

DESCRIPTION

[51] **LOC (6) Cl.** **03-99**
[52] **U.S. Cl.** **D3/328; D3/265**
[58] **Field of Search** D3/207, 218-219, D3/265-266, 328; 150/108-109; 206/316.1, 5; 224/240, 245, 250, 674, 679, 901.4

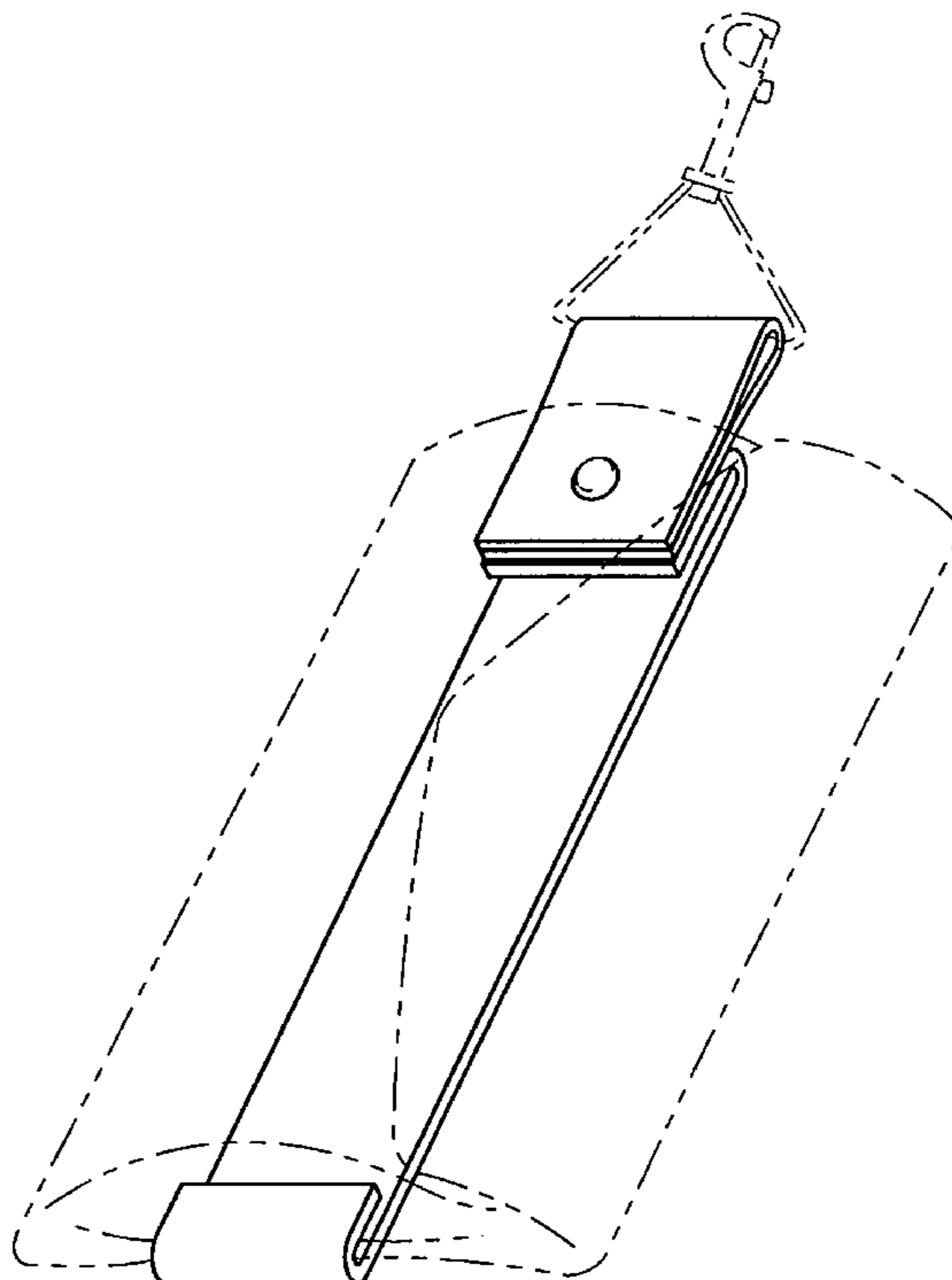
FIG. 1 is a perspective view of the belt strap and hook fastener strap for protective eyewear case;
FIG. 2 is a front view thereof;
FIG. 3 is a right side view thereof, the left side being a mirror image thereof;
FIG. 4 is a back view thereof;
FIG. 5 is a top view thereof;
FIG. 6 is a bottom view thereof;
FIG. 7 is a perspective view on a reduced scale of an eyewear case attached thereto, the dashed line showing of the eyewear case is for illustrative purposes only and forms no part of the claimed design; and,
FIG. 8 is a left side view on a reduced scale with an eyewear case attached thereto, the dashed line showing of the eyewear case is for illustrative purposes only and forms no part of the claimed design.

[56] References Cited

U.S. PATENT DOCUMENTS

D. 157,742 3/1950 Dixon D3/219
D. 161,151 12/1950 Ackerman et al. D3/265
D. 216,075 11/1969 D'Elia D3/327
D. 302,234 7/1989 McNamee et al. D3/315
D. 366,149 1/1996 Garza et al. D3/328
2,642,986 6/1953 Grosvenor 206/5
2,657,791 11/1953 Grosvenor 206/5
3,148,812 9/1964 Hilsinger, Jr. D3/219
3,949,916 4/1976 Yount 224/240

1 Claim, 3 Drawing Sheets



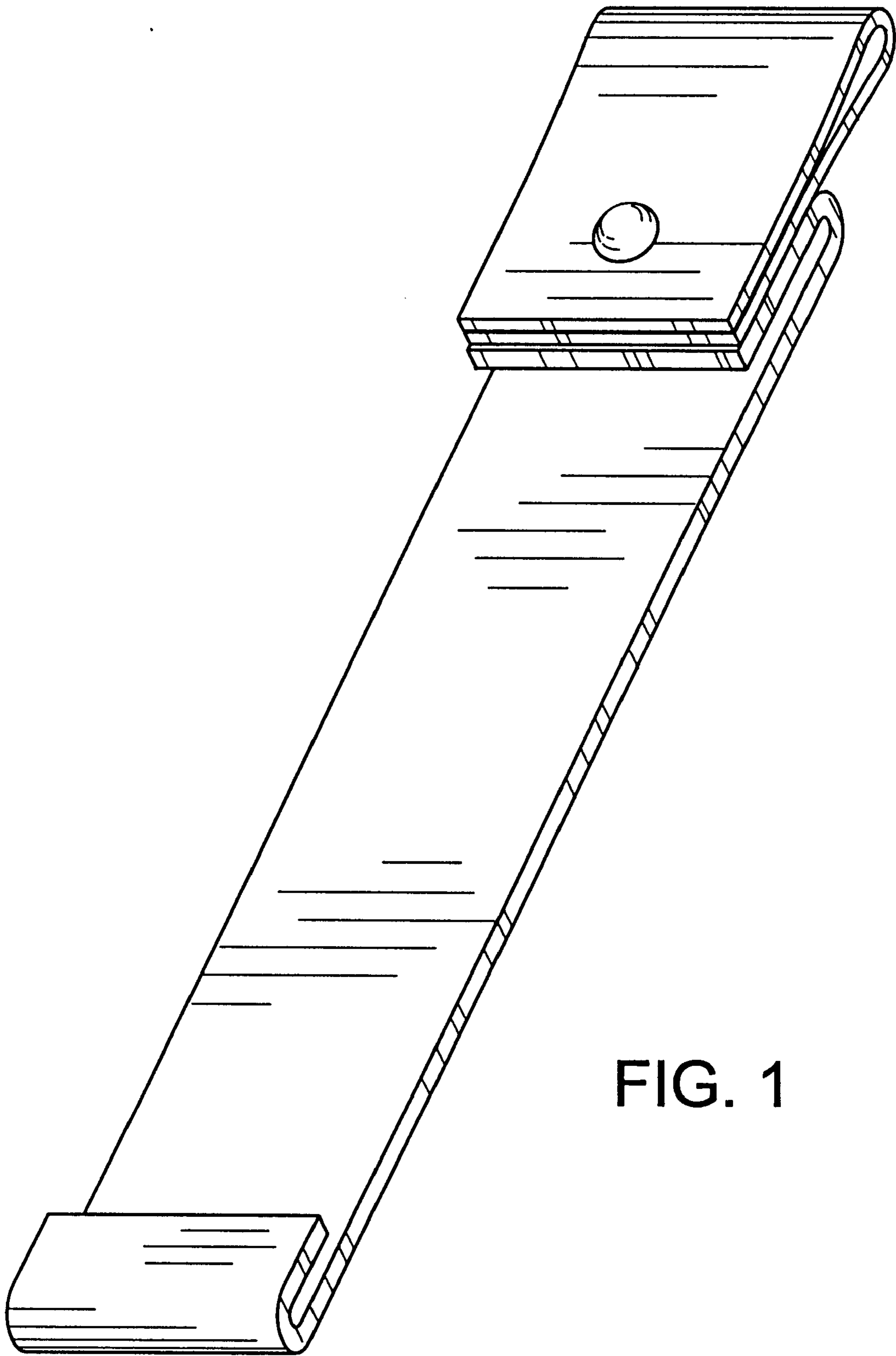


FIG. 1

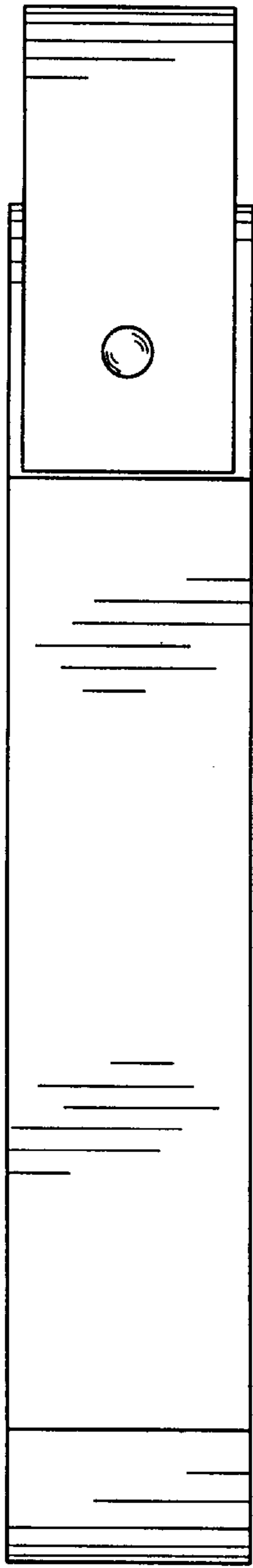


FIG. 2

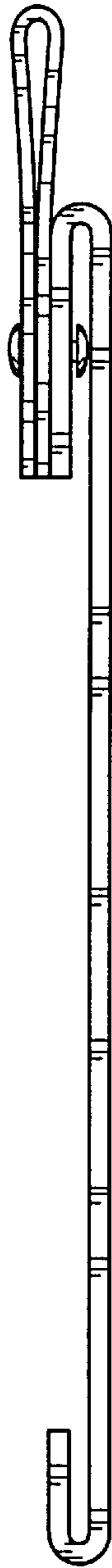


FIG. 3

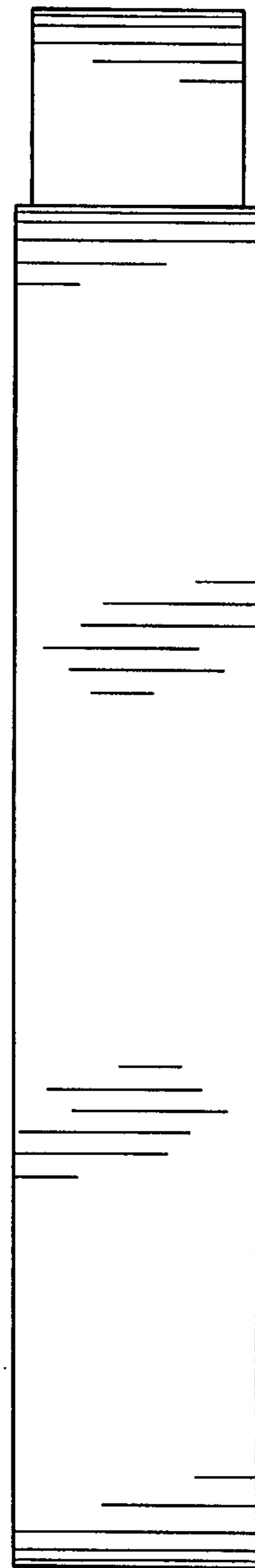


FIG. 4

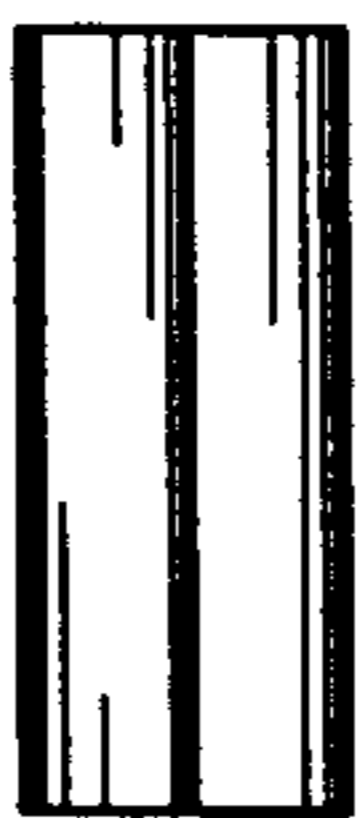


FIG. 5



FIG. 6

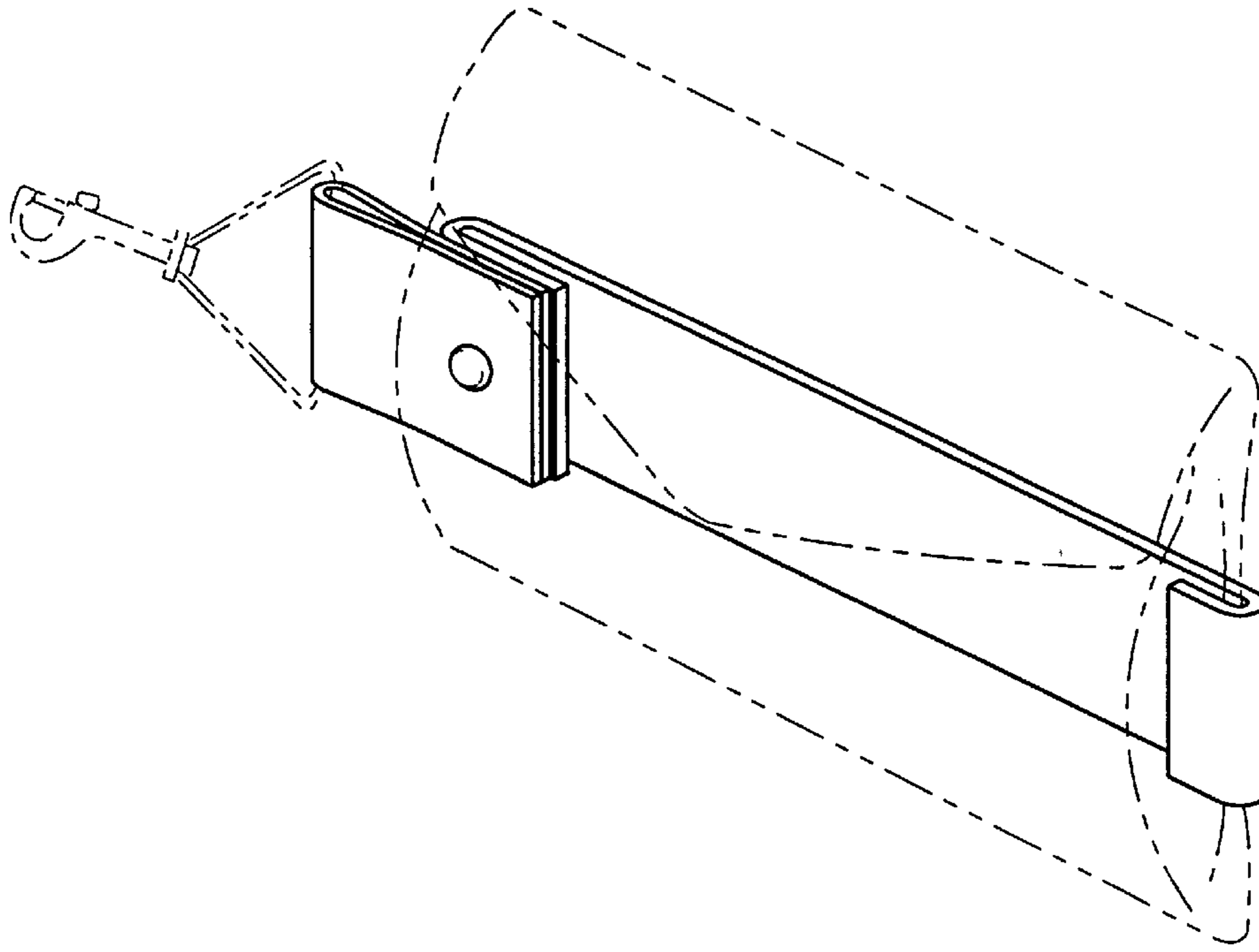


FIG. 7

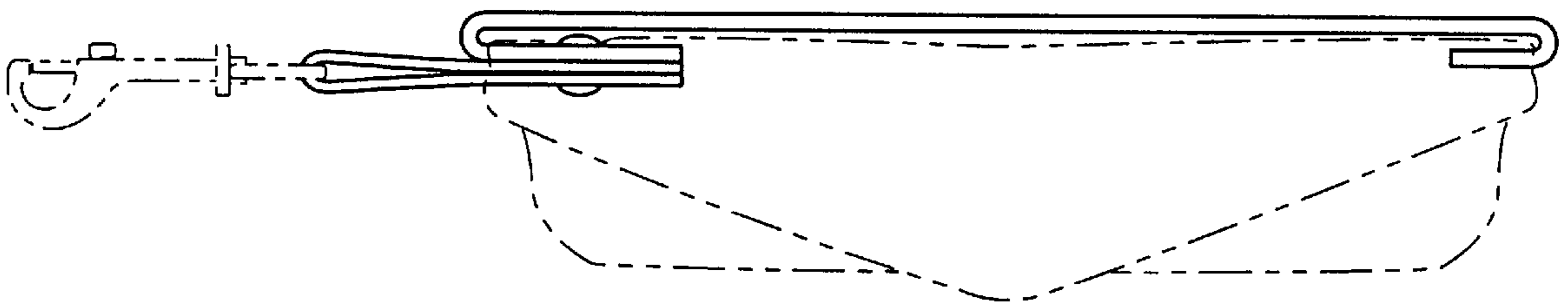


FIG. 8