



US00D417957S

United States Patent [19] Wolf

[11] **Patent Number: Des. 417,957**

[45] **Date of Patent: ** Dec. 28, 1999**

[54] **MULTI-COMPARTMENT JEWELRY BOX**

[76] Inventor: **Simon Wolf**, 23440 Moon Shadows Dr., Malibu, Calif. 90265

[**] Term: **14 Years**

[21] Appl. No.: **29/098,889**

[22] Filed: **Jan. 7, 1999**

[51] **LOC (6) Cl. 03-01**

[52] **U.S. Cl. D3/297; D3/275; D3/901; D3/903**

[58] **Field of Search** D3/272, 273, 274, D3/275, 276, 281, 282, 291, 294, 295, 296, 297, 901, 903; 312/201, 324, 300, 226; 190/109, 111, 113, 115; 206/581

[56] **References Cited**

U.S. PATENT DOCUMENTS

| | | | | |
|------------|---------|---------------|-------|--------|
| D. 209,438 | 11/1967 | Rothman | | D3/296 |
| D. 261,825 | 11/1981 | Benson et al. | | D3/275 |
| D. 267,153 | 12/1982 | Lebowitz | | D3/297 |
| D. 325,123 | 4/1992 | Tiramani | | D3/275 |
| D. 328,817 | 8/1992 | Holland | | D3/903 |

| | | | | |
|------------|---------|---------------|-------|---------|
| D. 341,715 | 11/1993 | Ancona et al. | | D3/275 |
| D. 358,708 | 5/1995 | Ko | | D3/275 |
| D. 361,430 | 8/1995 | Mohundro | | D3/297 |
| 3,392,868 | 7/1968 | Pfrommer | | 312/201 |
| 4,239,308 | 12/1980 | Bradley | | 312/201 |

Primary Examiner—Philip S. Hyder
Attorney, Agent, or Firm—Cislo & Thomas, LLP

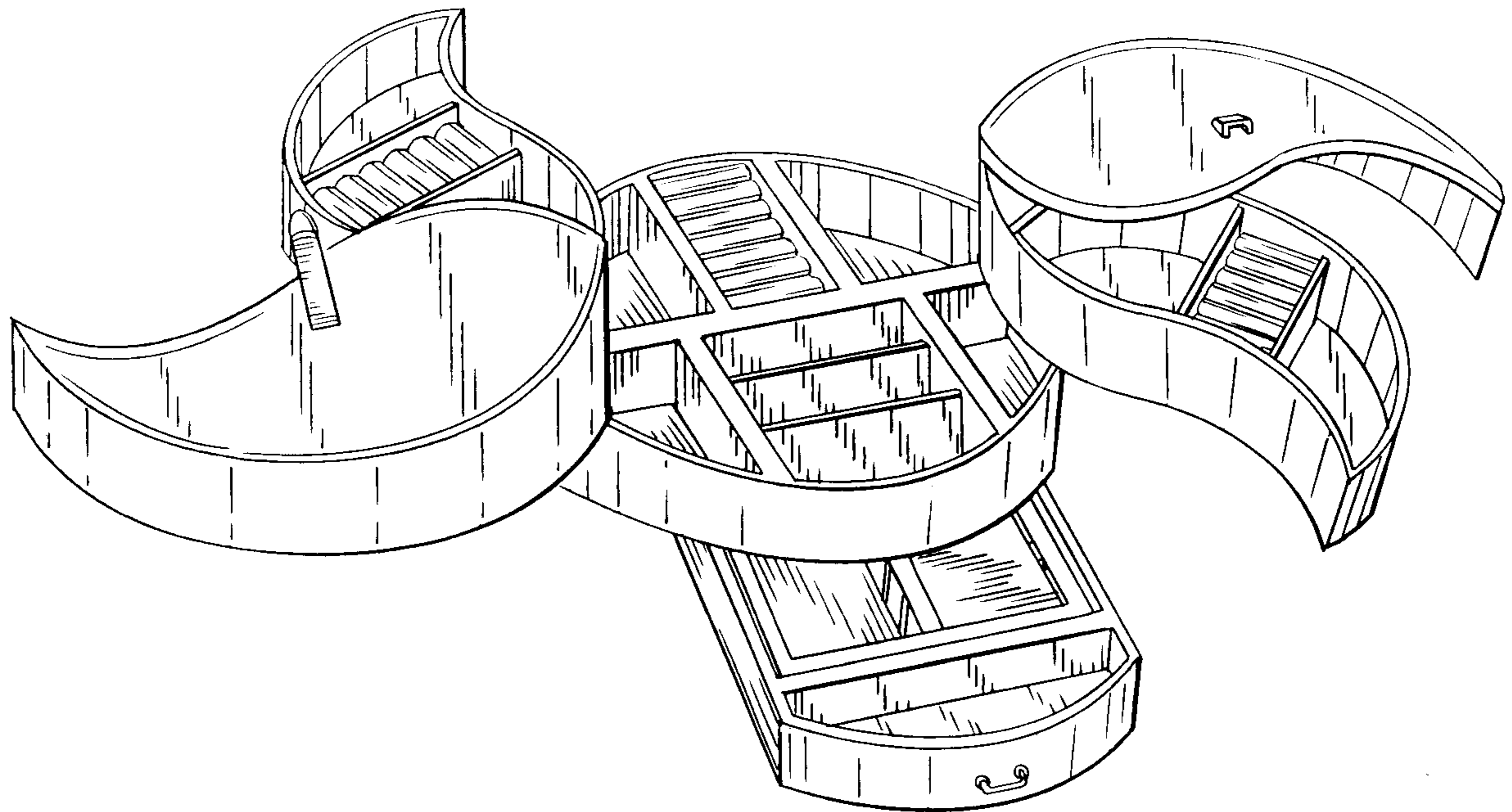
[57] **CLAIM**

The ornamental design for a multi-compartment jewelry box, as shown and described.

DESCRIPTION

FIG. 1. is a perspective view of my multi-compartment jewelry box;
FIG. 2. is a view similar to FIG. 1, but showing the compartments in the closed position;
FIG. 3. is a front view of my design as depicted in FIG. 2;
FIG. 4. is a back view thereof;
FIG. 5. is a left side elevational view thereof with the right side being a mirror image thereof;
FIG. 6. is a bottom view thereof; and,
FIG. 7. is a top view thereof.

1 Claim, 4 Drawing Sheets



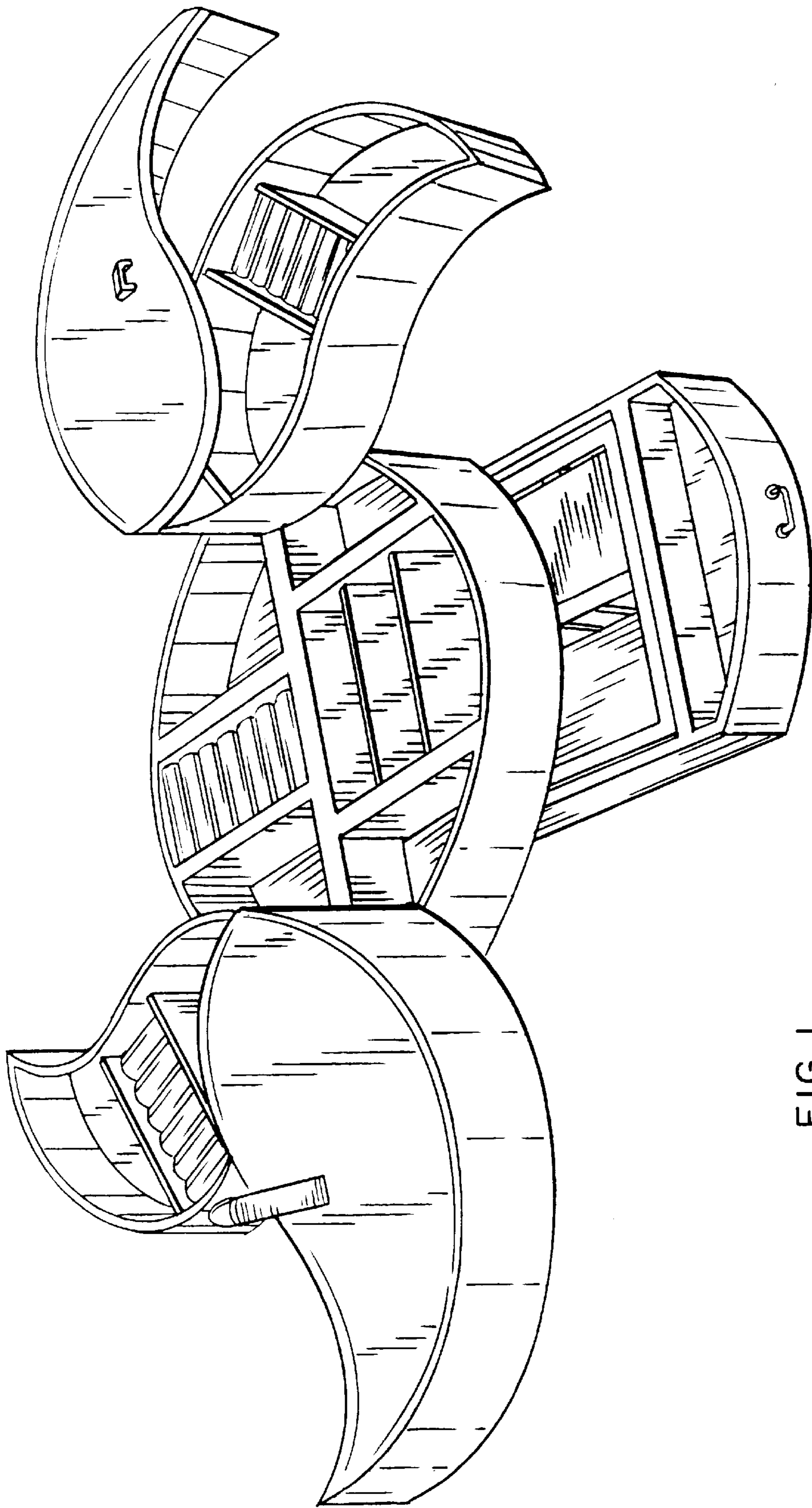


FIG. 1

FIG. 2

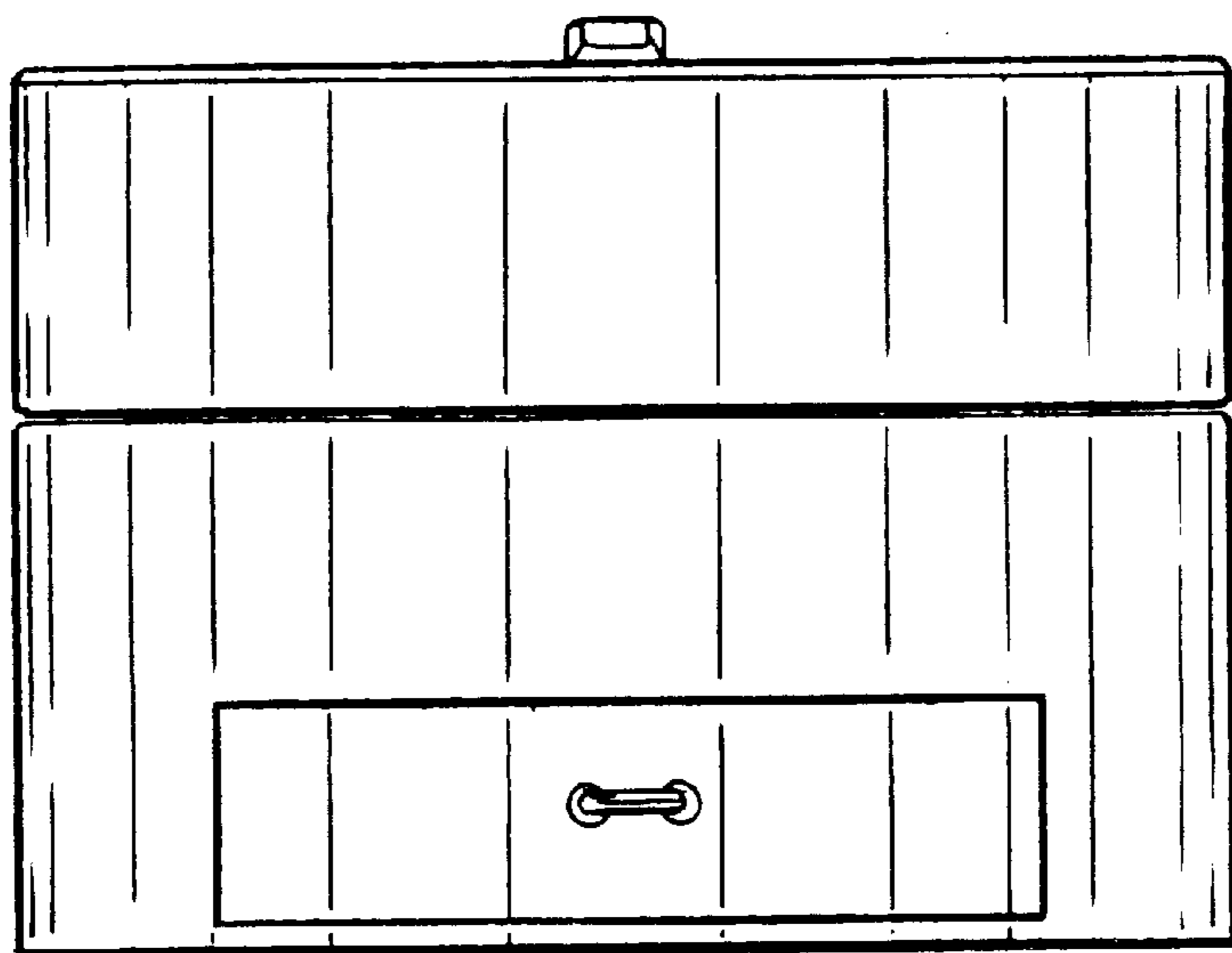
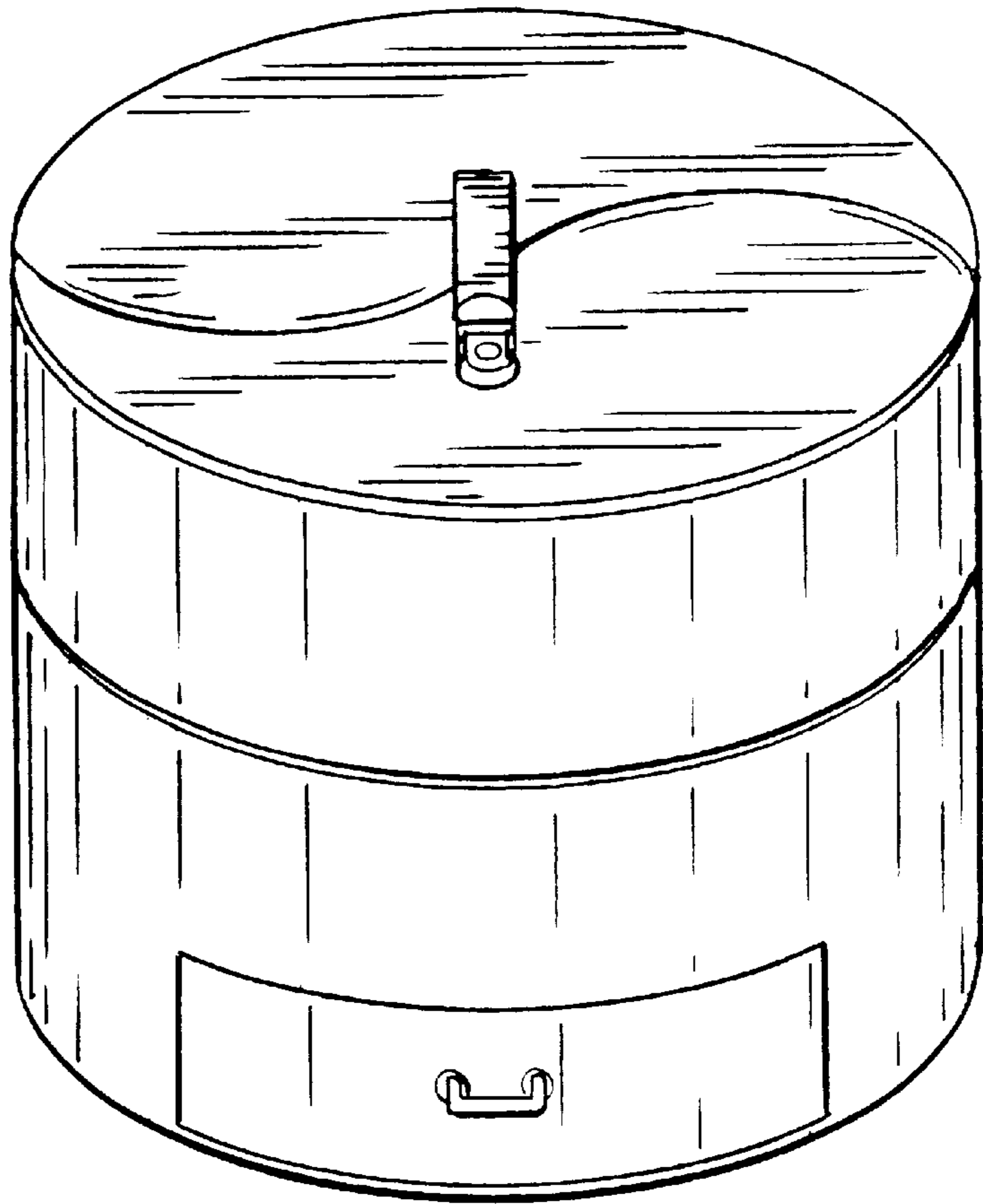


FIG. 3

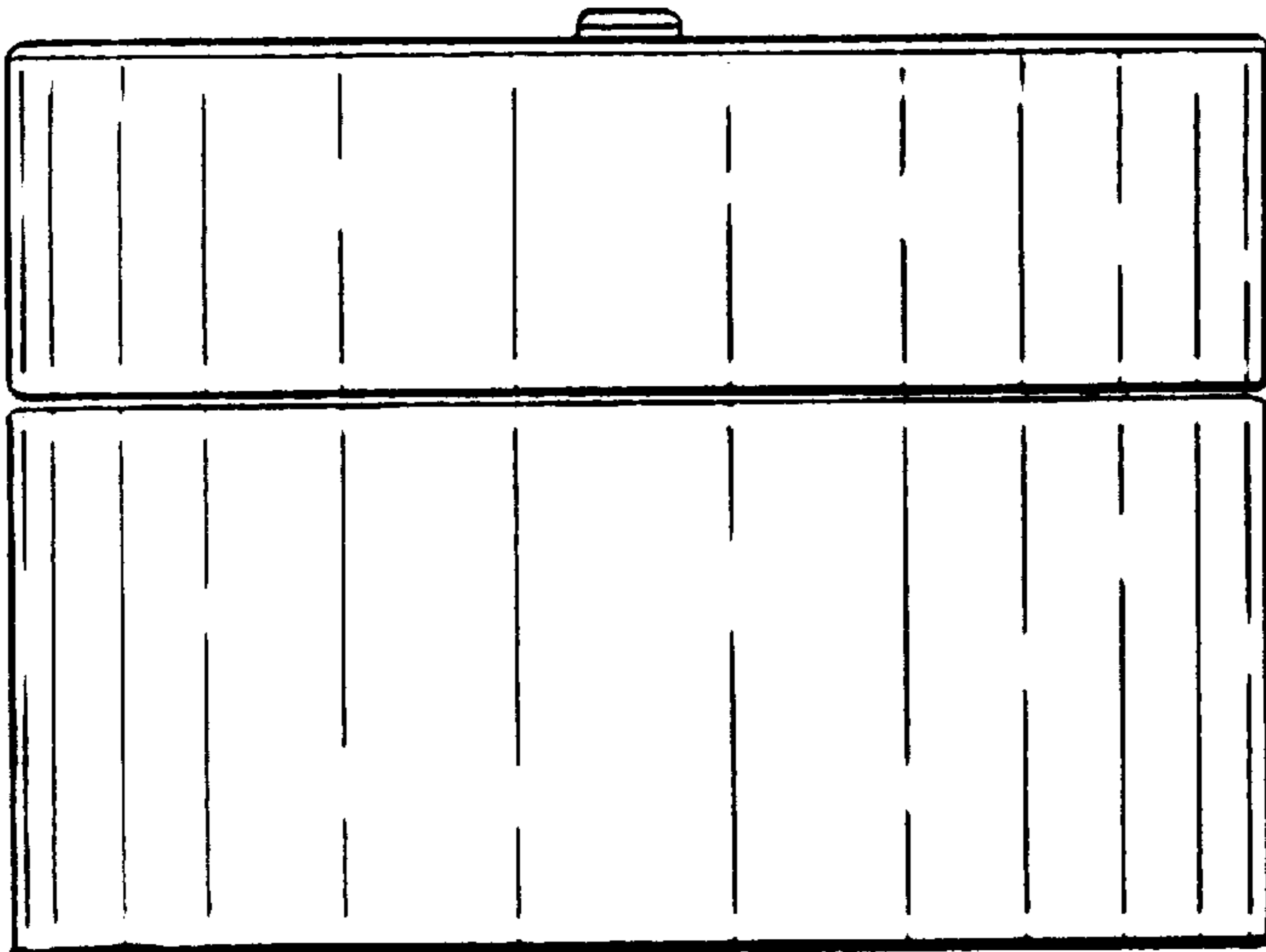


FIG. 4

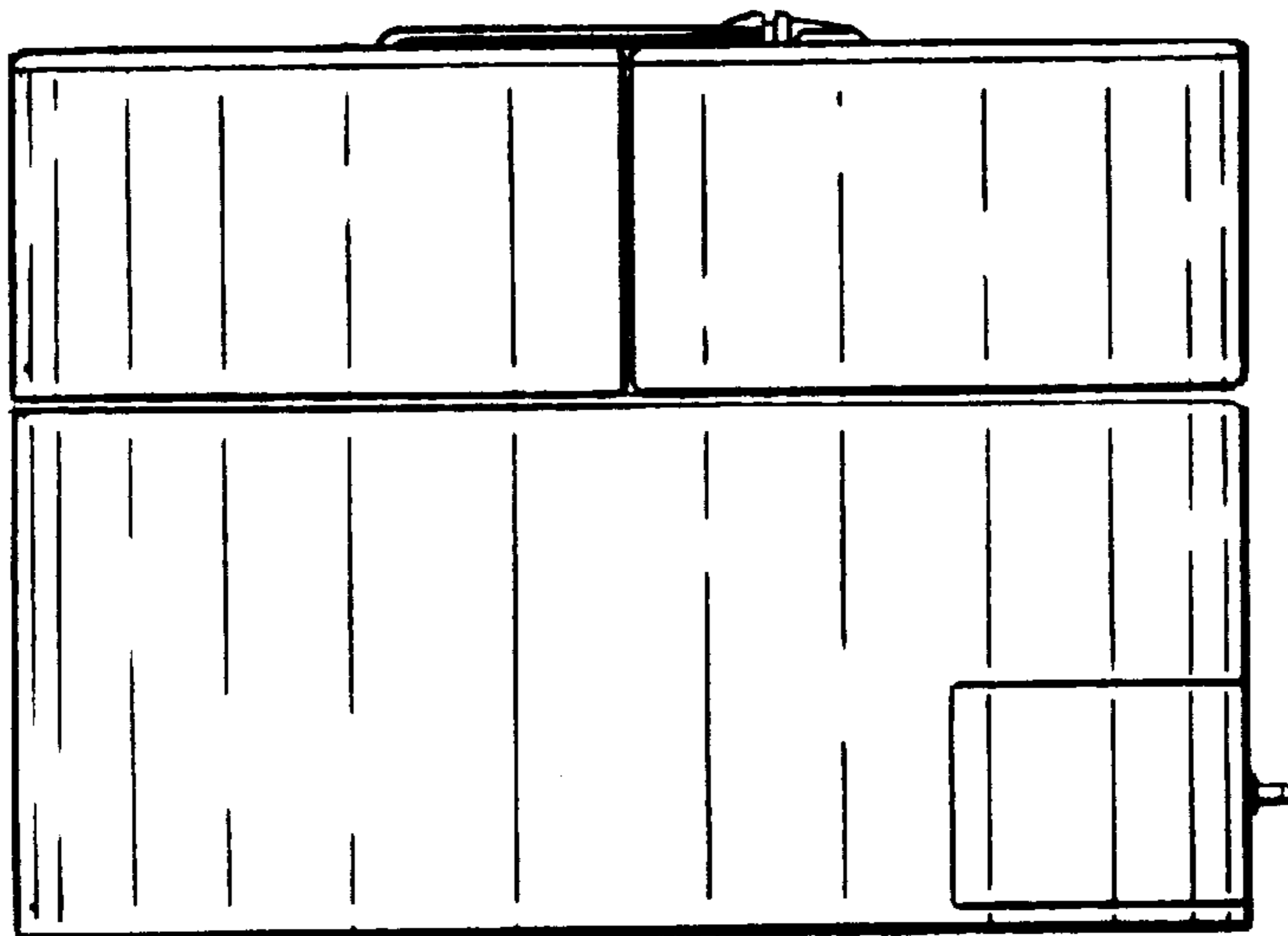


FIG. 5

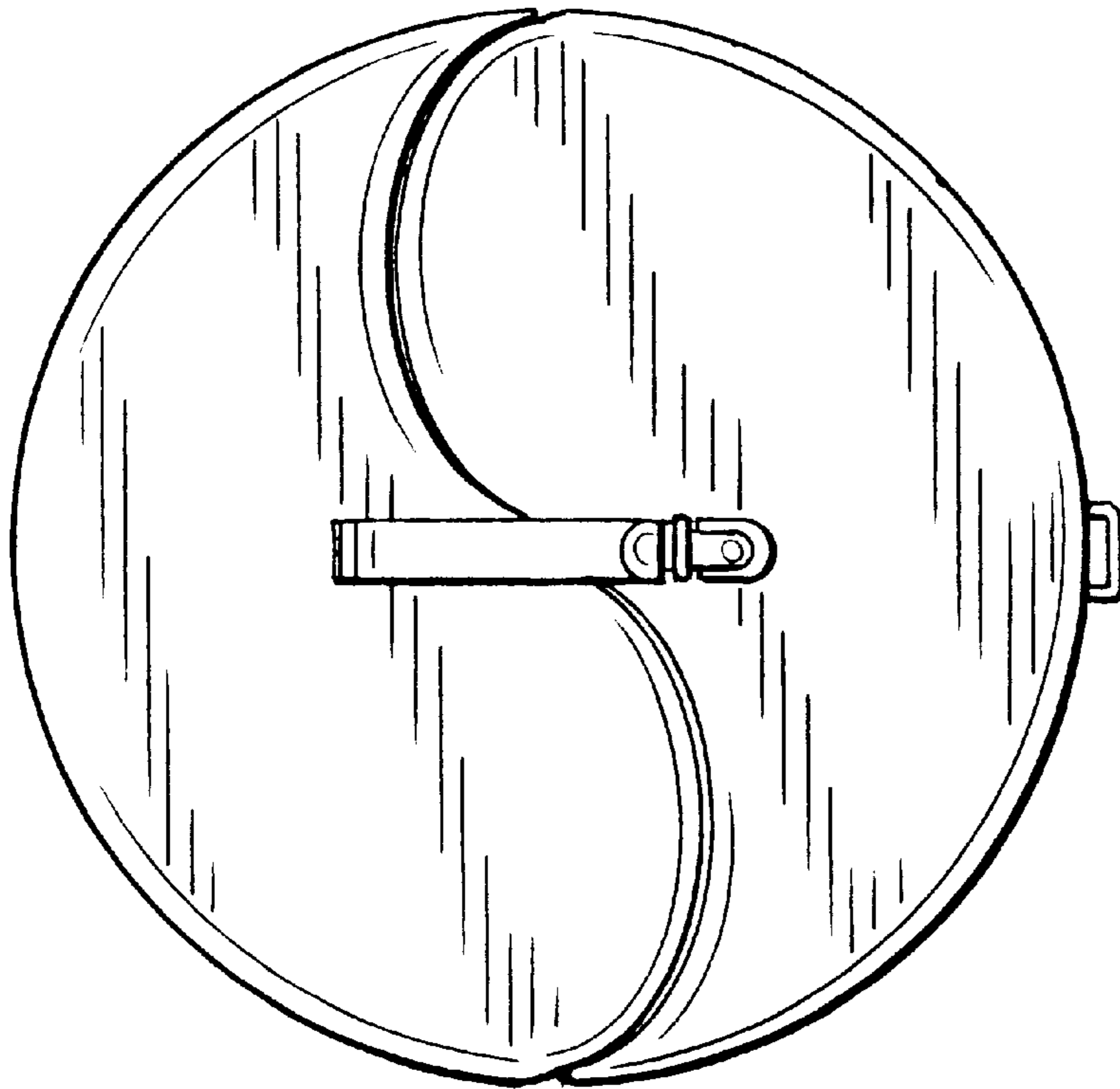


FIG. 6

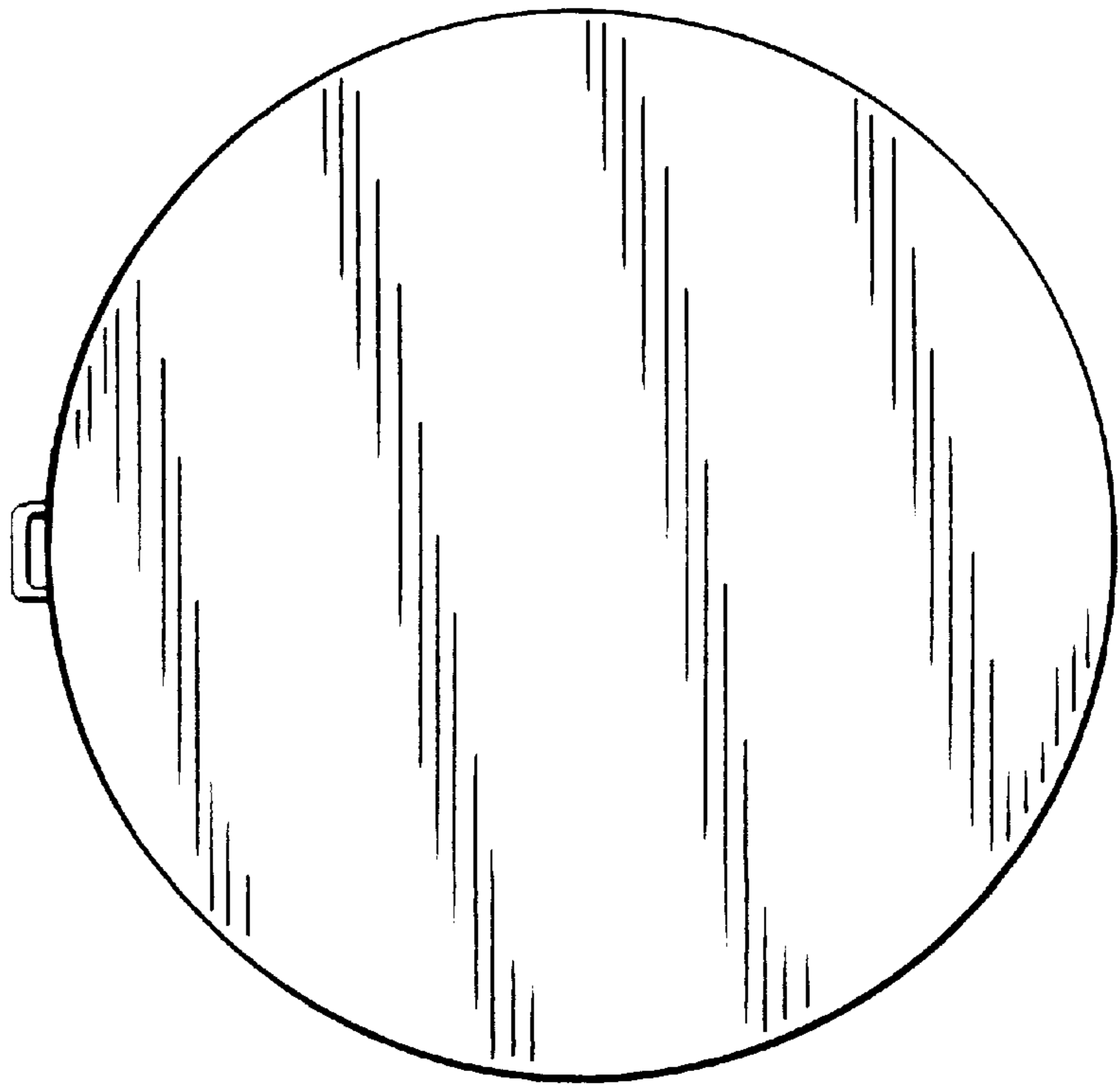


FIG. 7