



US00D417956S

United States Patent [19]

Story et al.

[11] **Patent Number: Des. 417,956**

[45] **Date of Patent: ** Dec. 28, 1999**

[54] STORAGE CONTAINER

[75] Inventors: **Dave Story**, Bartlett; **Jon Fiscus**; **Shelley Nehrt**, both of Barrington, all of Ill.

[73] Assignee: **Stack-On Products Co.**, Wauconda, Ill.

[**] Term: **14 Years**

[21] Appl. No.: **29/080,760**

[22] Filed: **Dec. 15, 1997**

[51] **LOC (6) Cl.** **03-01**

[52] **U.S. Cl.** **D3/295; D3/905; D3/276; D3/281**

[58] **Field of Search** **D3/273, 276, 281, D3/282, 905; D9/423, 424, 425; 206/349, 372, 373, 315.1, 315.11; 220/324, 326**

[56] **References Cited**

U.S. PATENT DOCUMENTS

D. 246,139	10/1977	Landell et al.	D3/905
D. 314,666	2/1991	Lanius	D3/281
D. 328,818	8/1992	Hanna et al.	D3/281
D. 332,524	1/1993	Gray et al.	D3/905
D. 361,659	8/1995	Kahl et al.	D3/905
D. 361,888	9/1995	Kahl et al.	D3/905
D. 378,874	4/1997	Dickinson et al.	D3/905
D. 379,266	5/1997	Dickinson et al.	D3/905

OTHER PUBLICATIONS

Rubbermaid consumer services catalog, available at least as early as Dec., 1996.

Contico 1997 Consumer Products Catalog, available at least as early as Dec., 1996.

Zag Product Data 1995 Catalog, available at least as early as Dec., 1996.

Keter Plastic Catalog, available at least as early as Dec., 1996.

Stack-On Catalog, available at least as early as Dec., 1996.

Flambeau Catalog, available at least as early as Dec., 1996.

Keter Do It Yourself Catalog, available at least as early as Dec., 1996.

Contico Catalog, available at least as early as Dec., 1996.

Primary Examiner—Philip S. Hyder

Attorney, Agent, or Firm—Factor and Shaftal

[57] **CLAIM**

The ornamental design for a storage container, as described and shown and described.

DESCRIPTION

FIG. 1 is a perspective view showing the storage container of our new ornamental design;

FIG. 2 is a top plan view thereof;

FIG. 3 is a bottom view thereof;

FIG. 4 is a front elevational view thereof;

FIG. 5 is a rear elevational view thereof;

FIG. 6 is a right side elevation thereof, the opposite side elevation being a mirror image thereof;

FIG. 7 is a perspective thereof with the handle in a raised configuration and with the right top lid in an open configuration showing an inner tray region, the opposite side top lid and inner tray region being identical thereto;

FIG. 8 is a front elevation thereof with the right top lid in an open configuration;

FIG. 9 is a top plan view with the handle in a raised configuration and with the right top lid in an open configuration; and,

FIG. 10 is a right side elevation thereof with the handle in a raised configuration and with the right top lid in an open configuration.

1 Claim, 3 Drawing Sheets

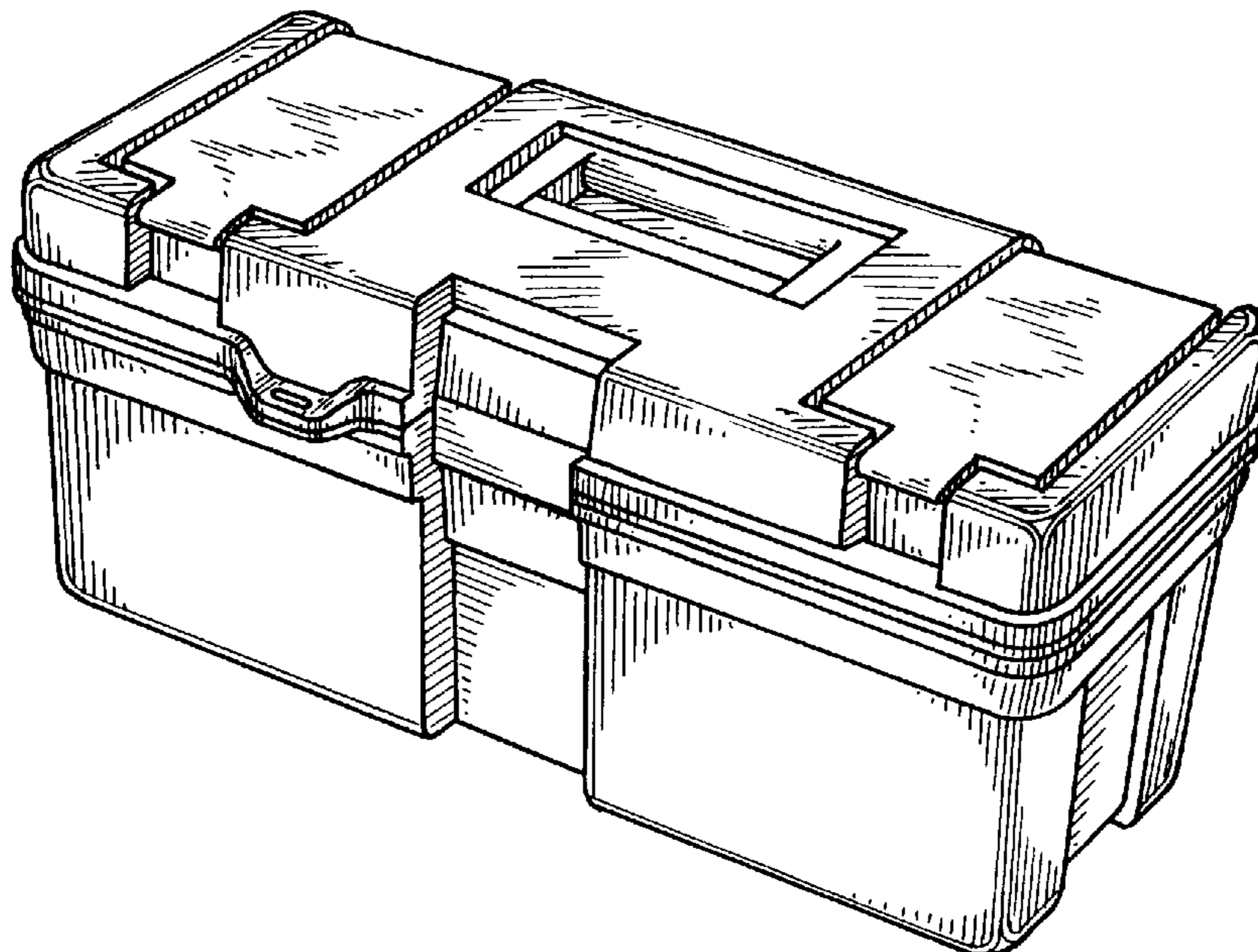


Fig 1

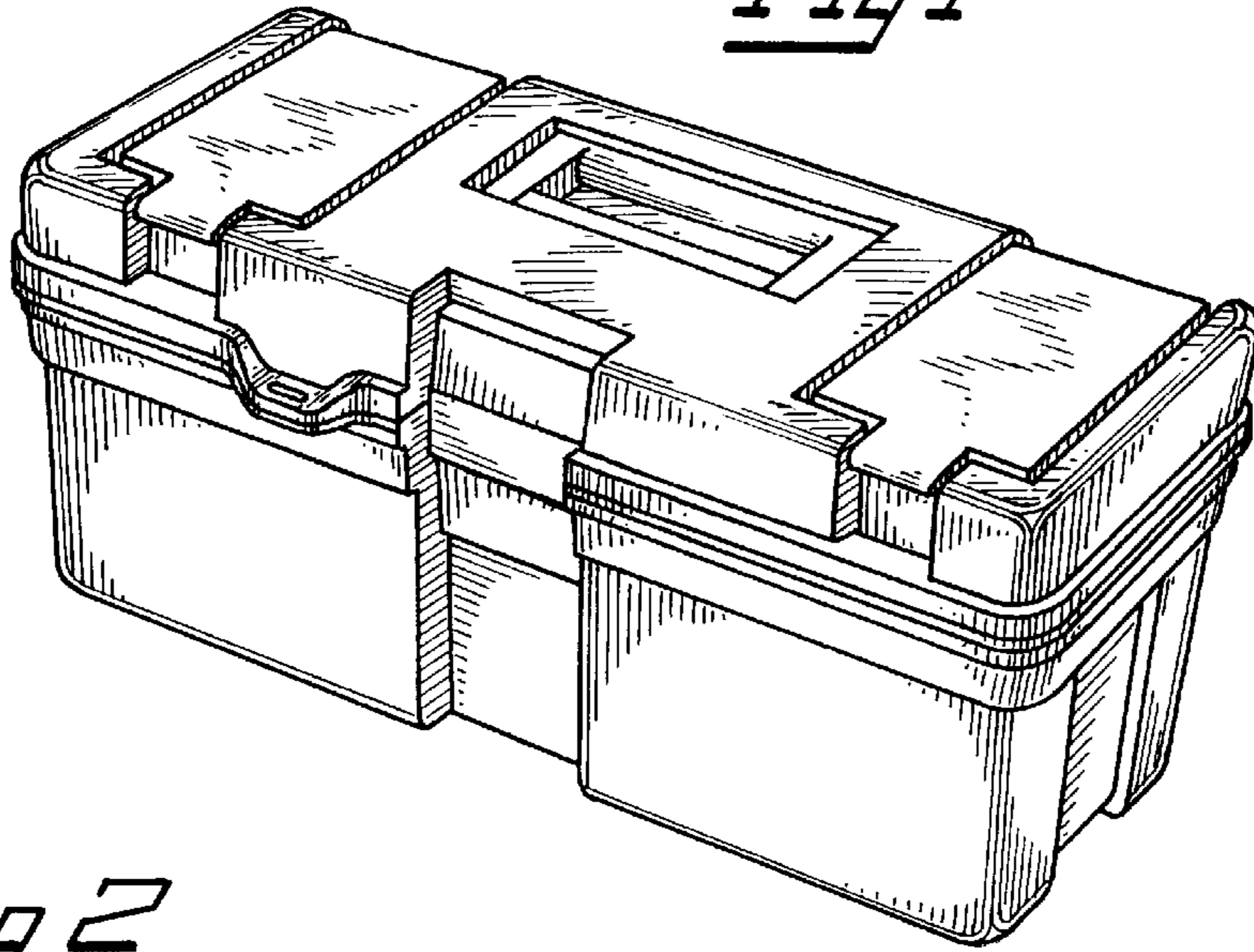


Fig 2

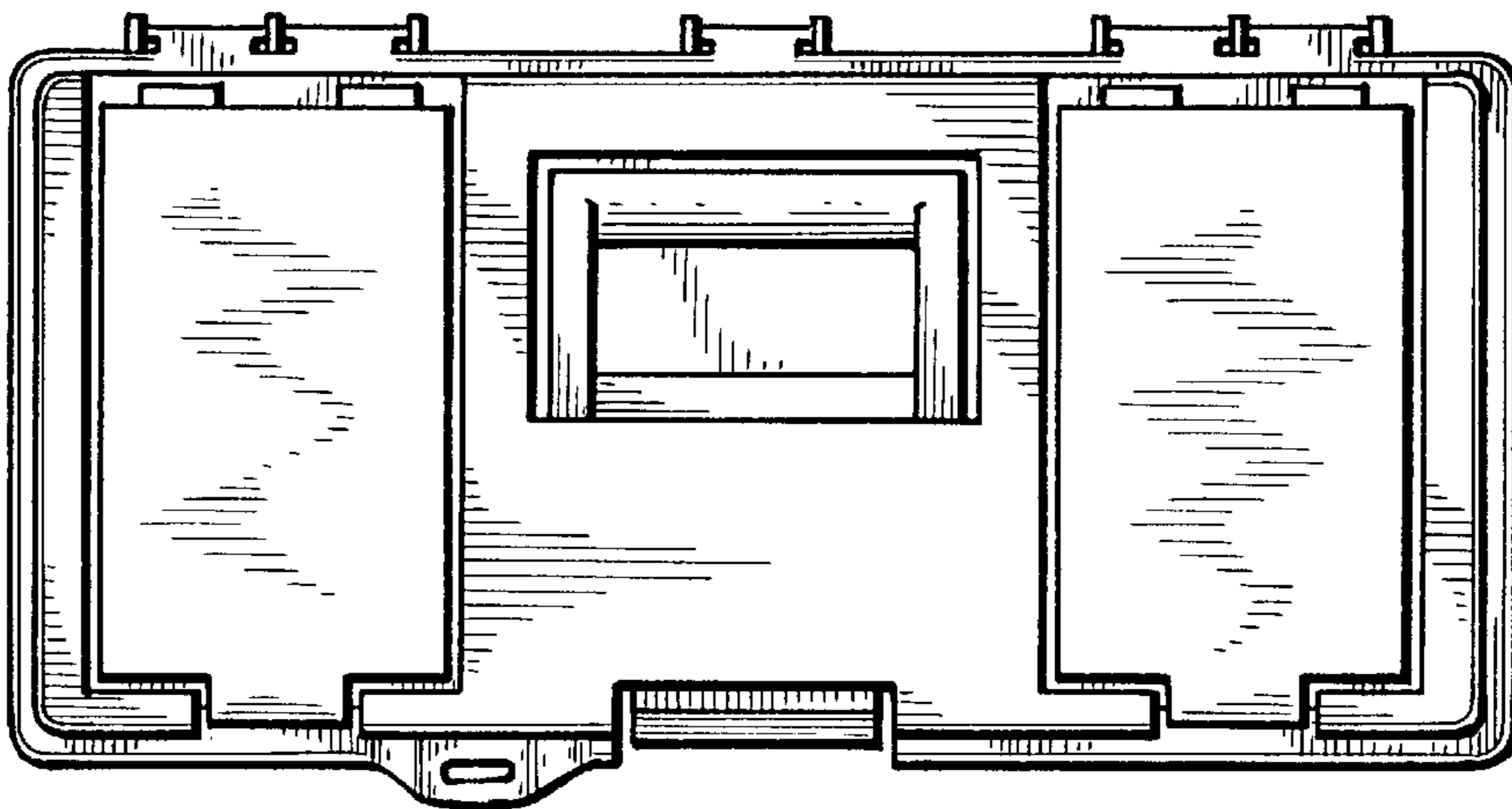
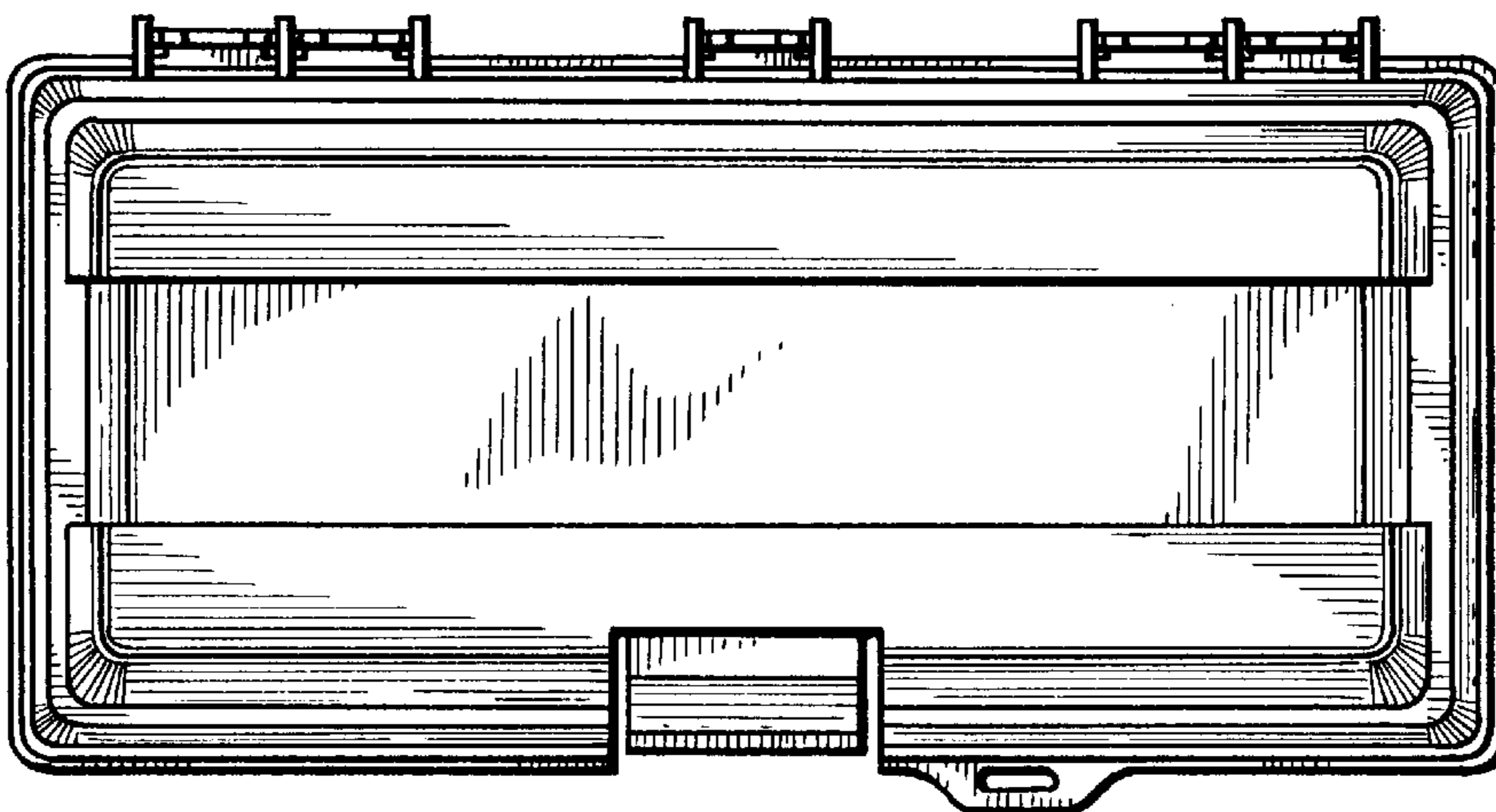


Fig 3



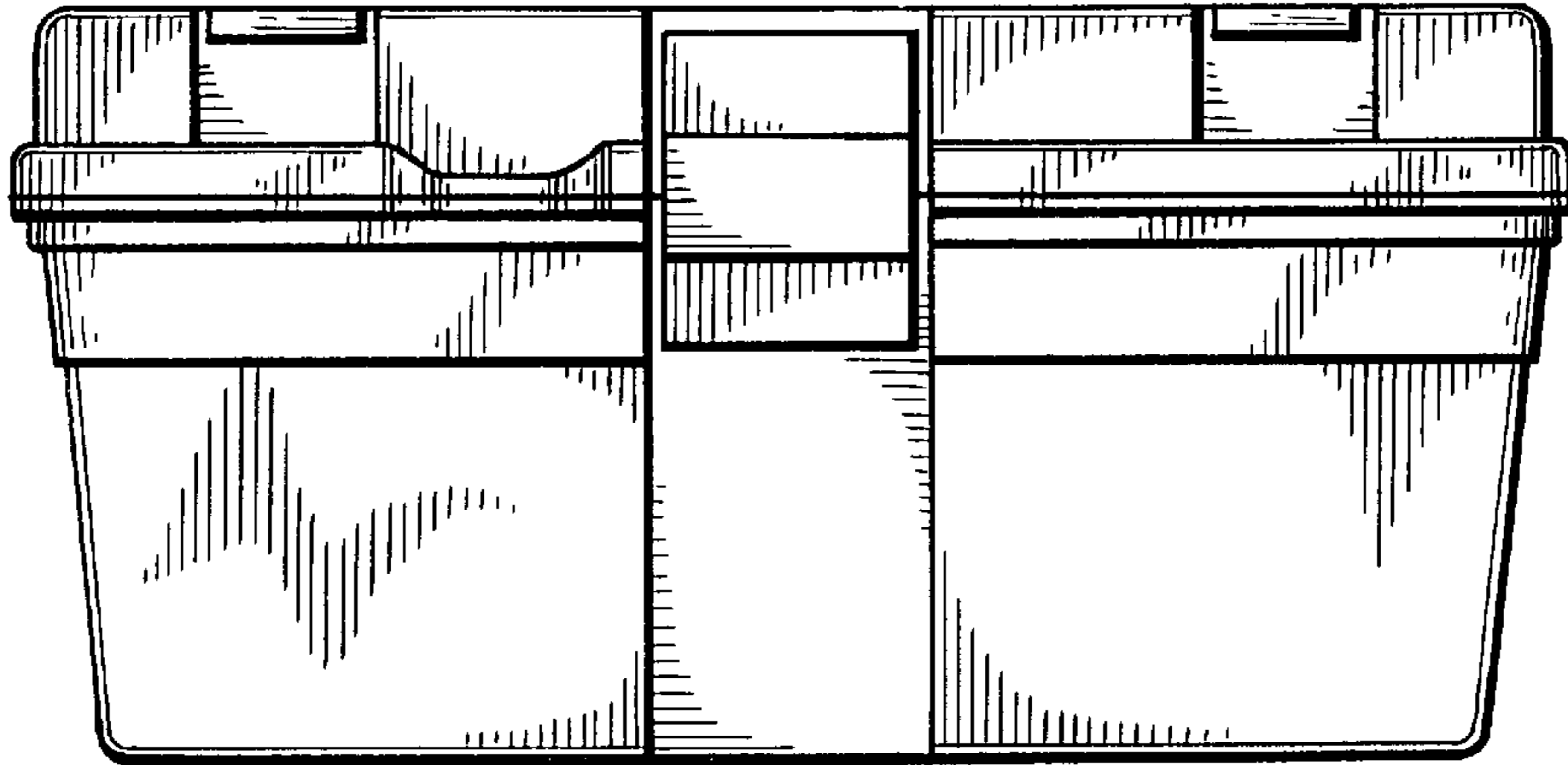


Fig 4

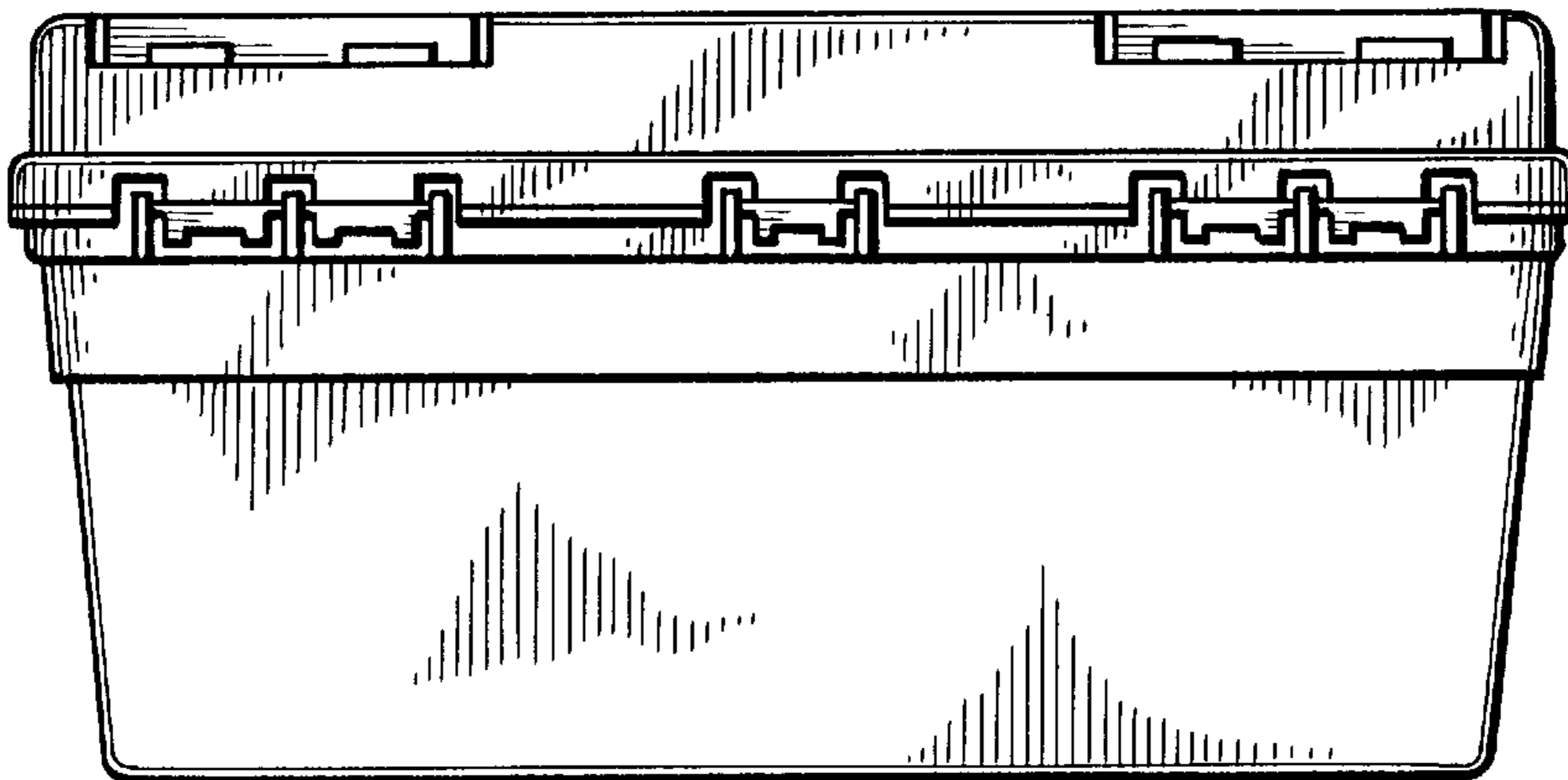


Fig 5

Fig 7

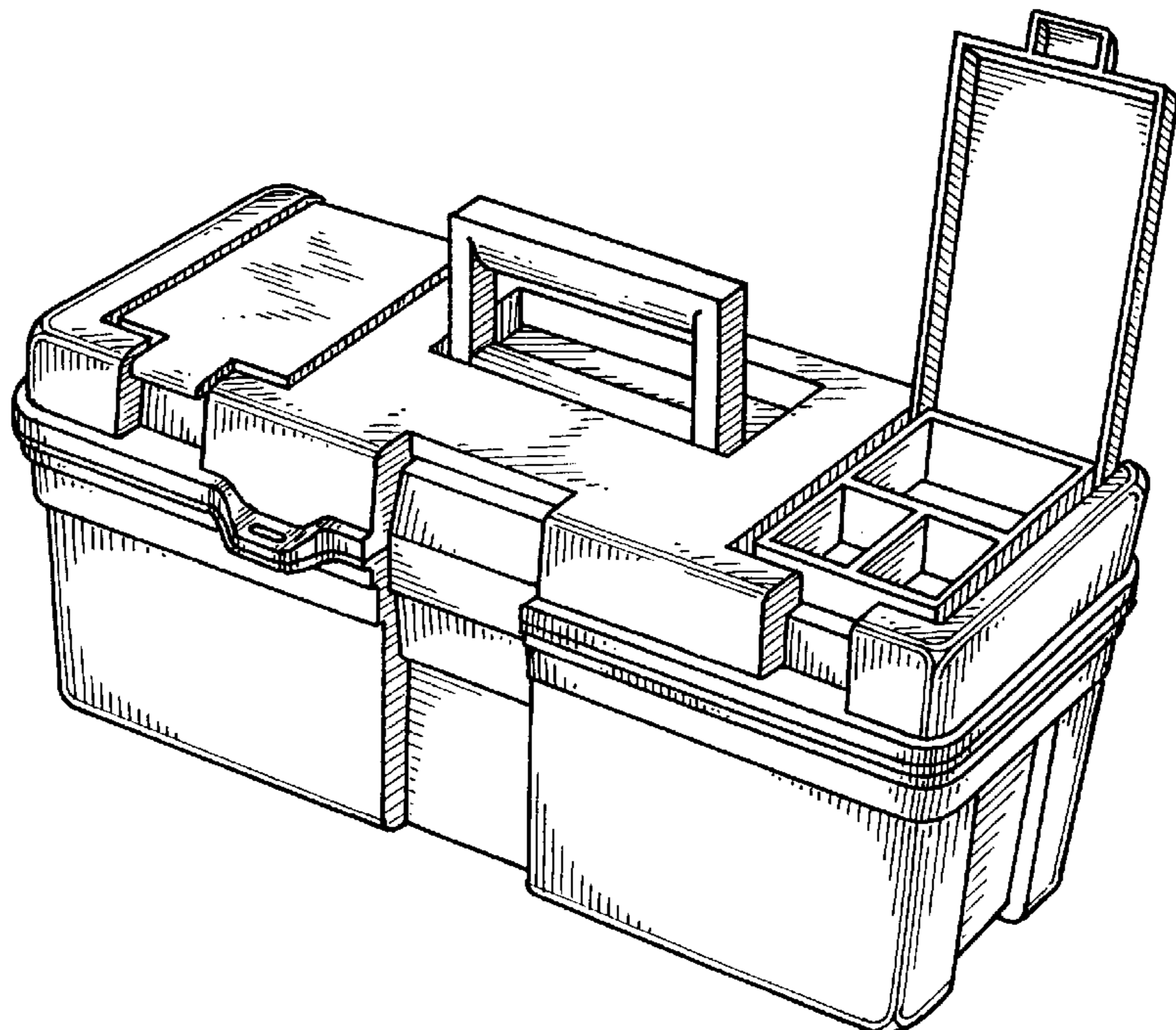


Fig 8

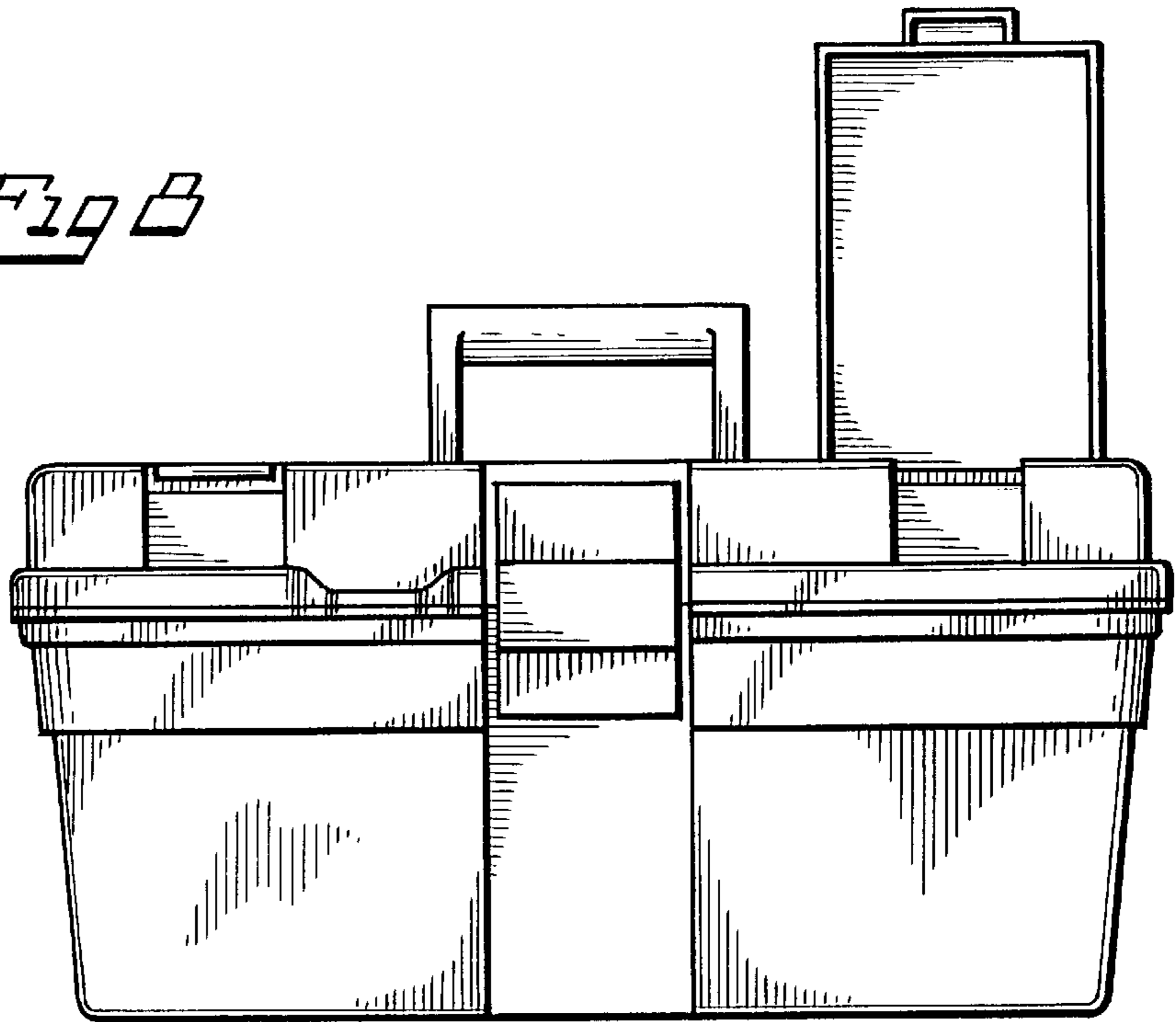


Fig 9

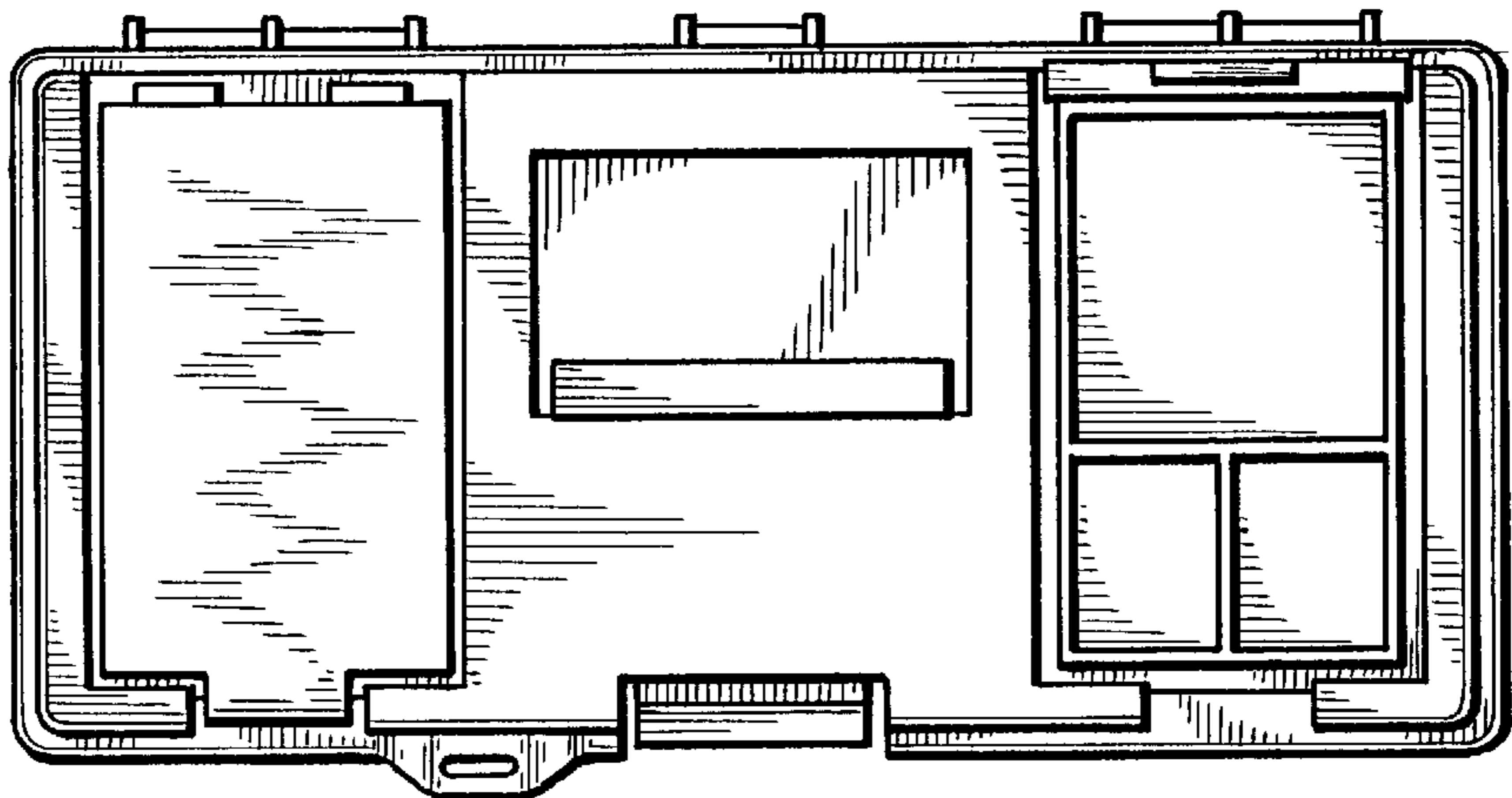


Fig 10

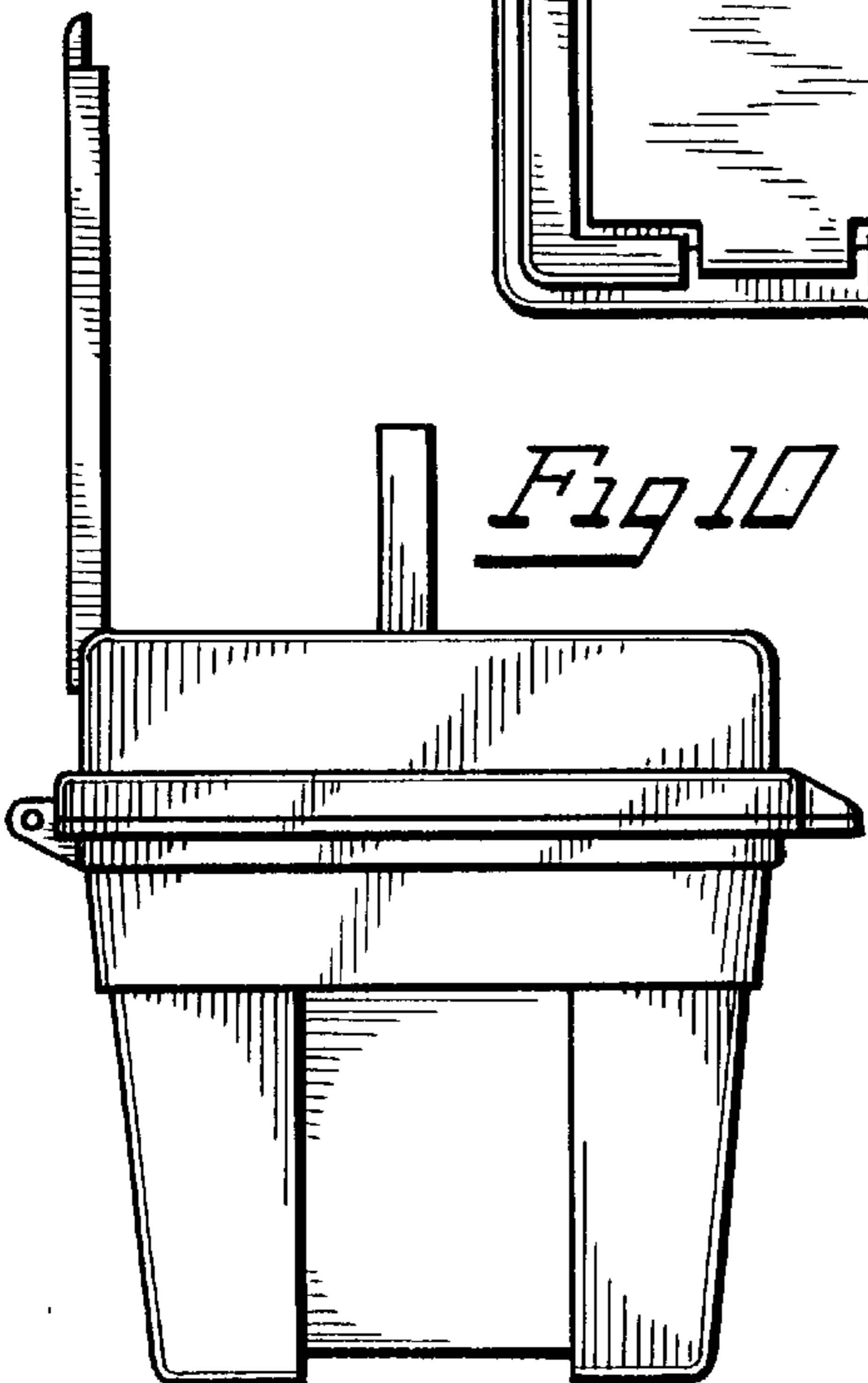
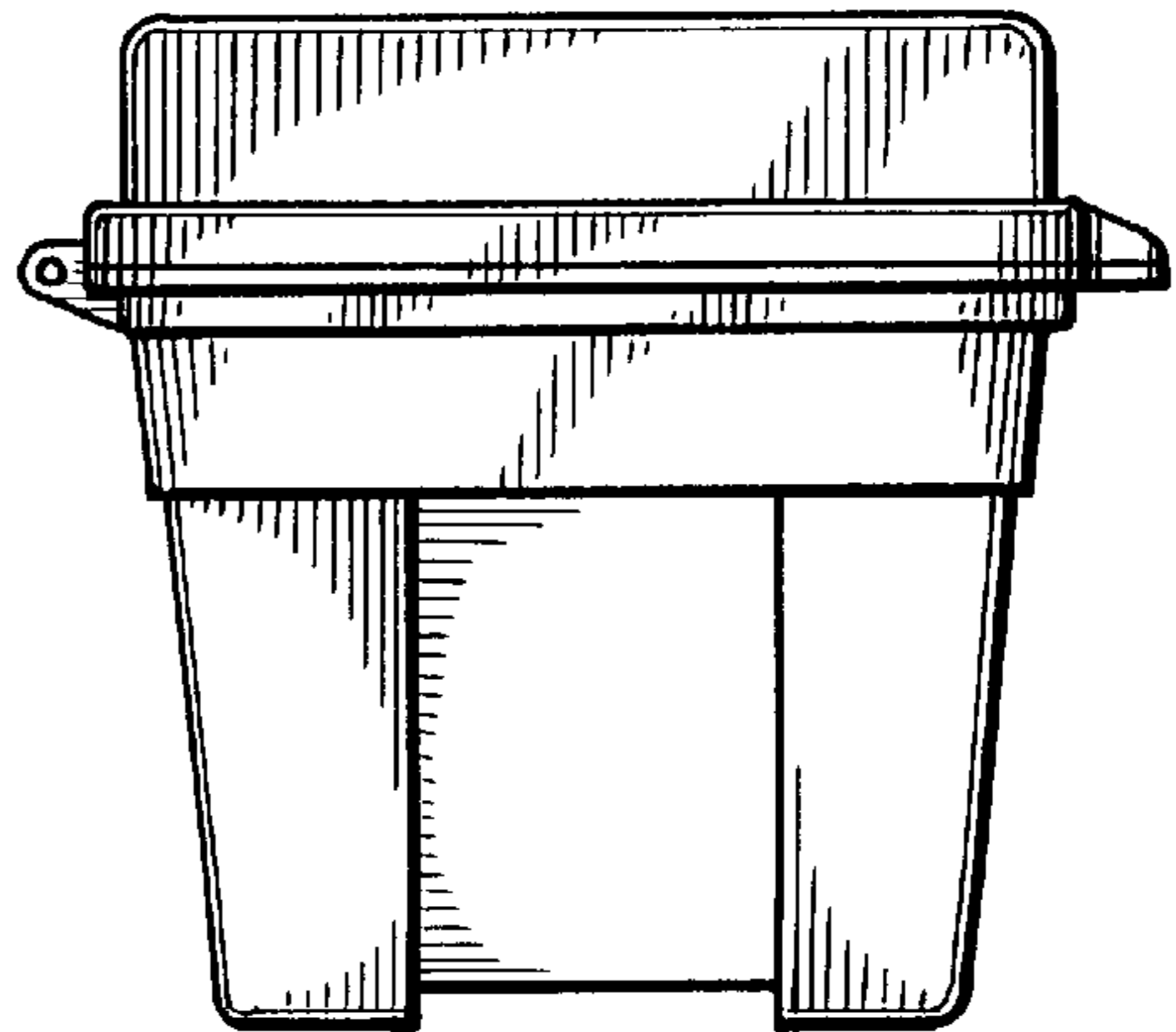


Fig 6



UNITED STATES PATENT AND TRADEMARK OFFICE
CERTIFICATE OF CORRECTION

PATENT NO. :Des. 417,956
DATED :December 28, 1999
INVENTOR(S) :Dave Story, et al.

It is certified that error appears in the above-identified patent and that said Letters Patent is hereby corrected as shown below:

In the claim:

After "shown" delete "and described".

Signed and Sealed this
Eleventh Day of July, 2000

Attest:



Q. TODD DICKINSON

Attesting Officer

Director of Patents and Trademarks