



US00D417955S

United States Patent [19]
Sletten

[11] **Patent Number: Des. 417,955**

[45] **Date of Patent: ** Dec. 28, 1999**

[54] **BASKETBALL HOLDER**

[75] Inventor: **Scott C. Sletten**, Sioux Falls, S. Dak.

[73] Assignee: **JDS Industries, Inc.**, Sioux Falls, S. Dak.

[**] Term: **14 Years**

[21] Appl. No.: **29/100,060**

[22] Filed: **Feb. 3, 1999**

[51] **LOC (6) Cl.** **03-01**

[52] **U.S. Cl.** **D3/257**

[58] **Field of Search** D3/257, 254, 234, D3/238, 271, 270, 269, 202; D7/601, 602, 605, 606, 608; D9/307; 206/315.9; 224/919

[56] **References Cited**

U.S. PATENT DOCUMENTS

D. 149,869	6/1948	Haney	D3/269
D. 357,386	4/1995	Jones	D7/606
D. 375,626	11/1996	Eaton et al.	D3/257
D. 391,451	3/1998	Todorya	D7/606
5,839,577	11/1998	Friedler	.	

Primary Examiner—Louis S. Zarfaz
Assistant Examiner—Catherine R. Oliver
Attorney, Agent, or Firm—Kinney & Lange, P.A.

[57] **CLAIM**

The ornamental design for a basketball holder, as shown and described.

DESCRIPTION

FIG. 1 is a perspective view of a first embodiment;

FIG. 2 is a bottom plan view of the embodiment shown in FIG. 1;

FIG. 3 is a rear elevational view of the embodiment shown in FIG. 1;

FIG. 4 is a front elevational view of the embodiment shown in FIG. 1;

FIG. 5 is a right side view of the embodiment shown in FIG. 1;

FIG. 6 is a top plan view of the embodiment shown in FIG. 1;

FIG. 7 is a perspective view of a second embodiment;

FIG. 8 is a bottom plan view of the embodiment shown in FIG. 7;

FIG. 9 is a rear elevational view of the embodiment shown in FIG. 7;

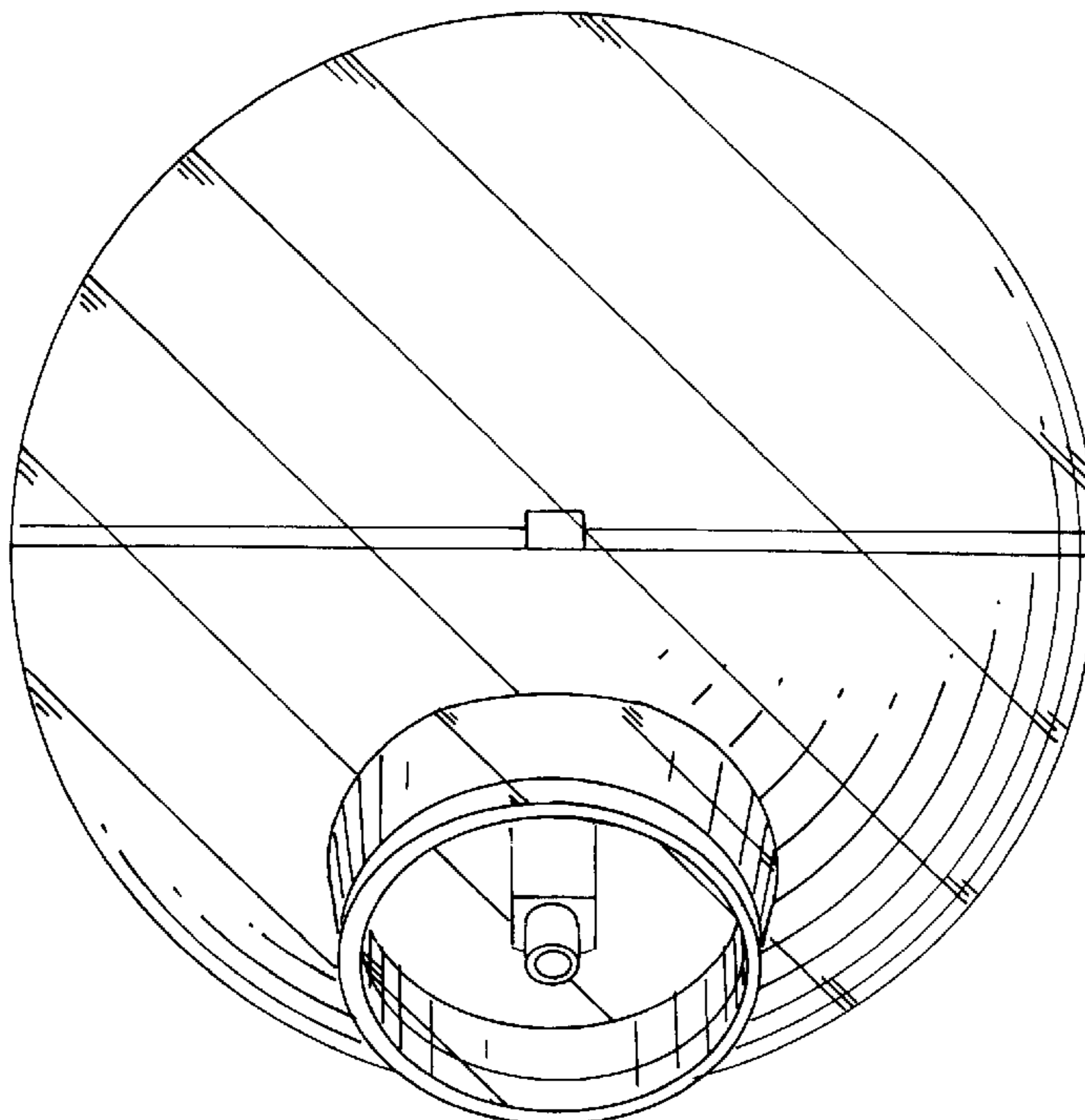
FIG. 10 is a front elevational view of the embodiment shown in FIG. 7;

FIG. 11 is a right side view of the embodiment shown in FIG. 7; and,

FIG. 12 is a top plan view of the embodiment shown in FIG. 7.

For both embodiments, the left side view is a mirror image of the respective right side view.

1 Claim, 6 Drawing Sheets



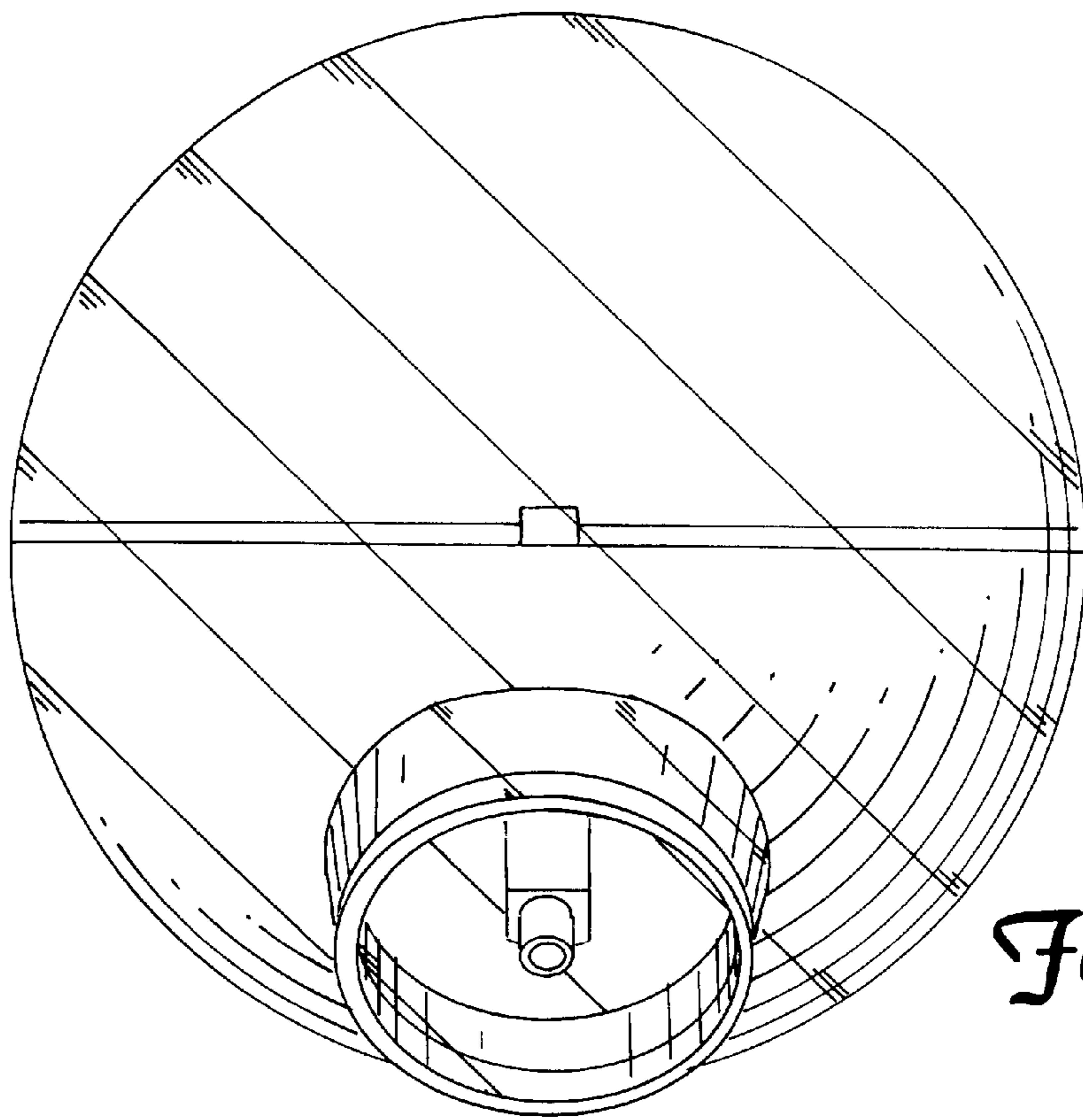


Fig. 1

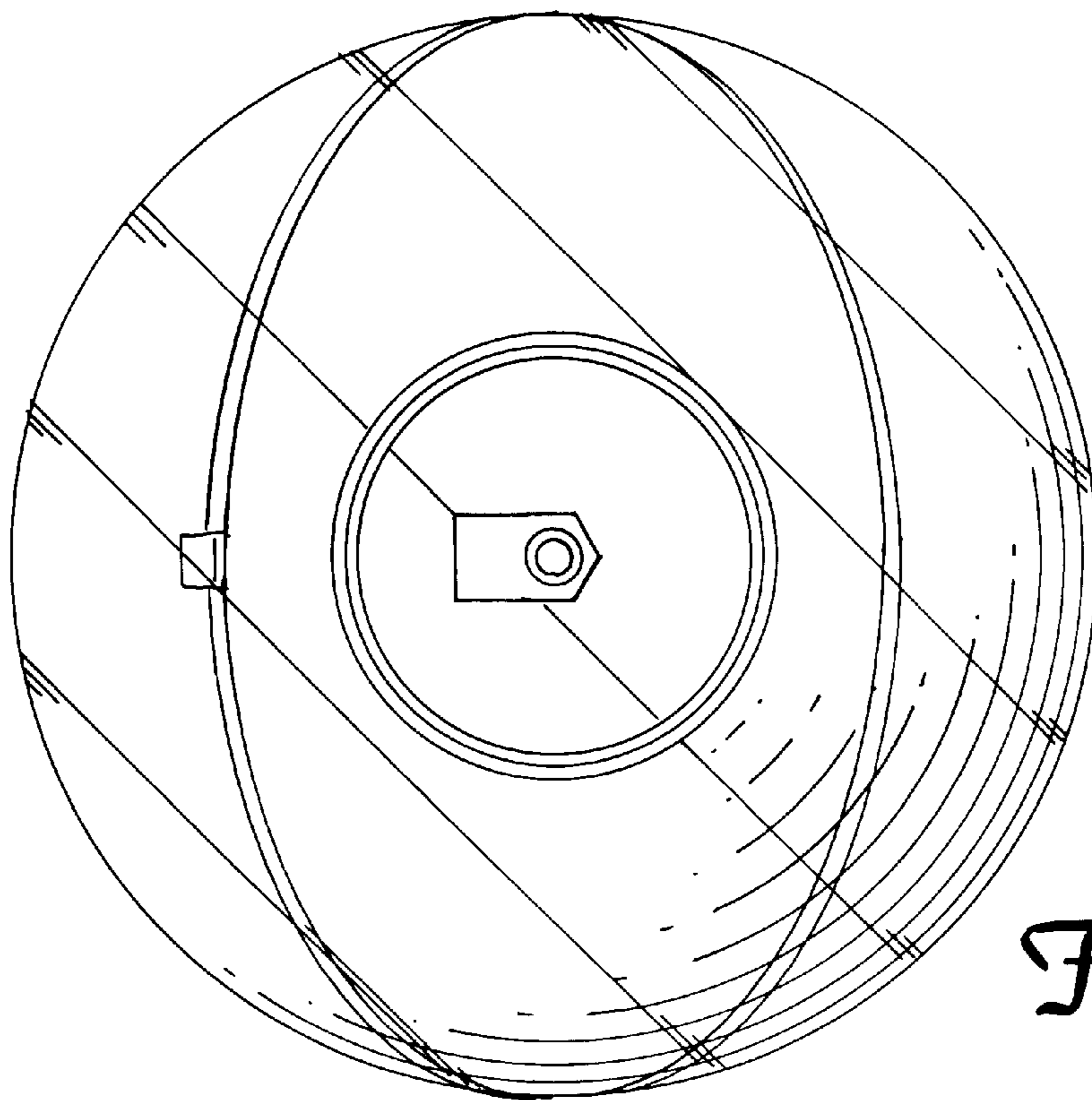


Fig. 2

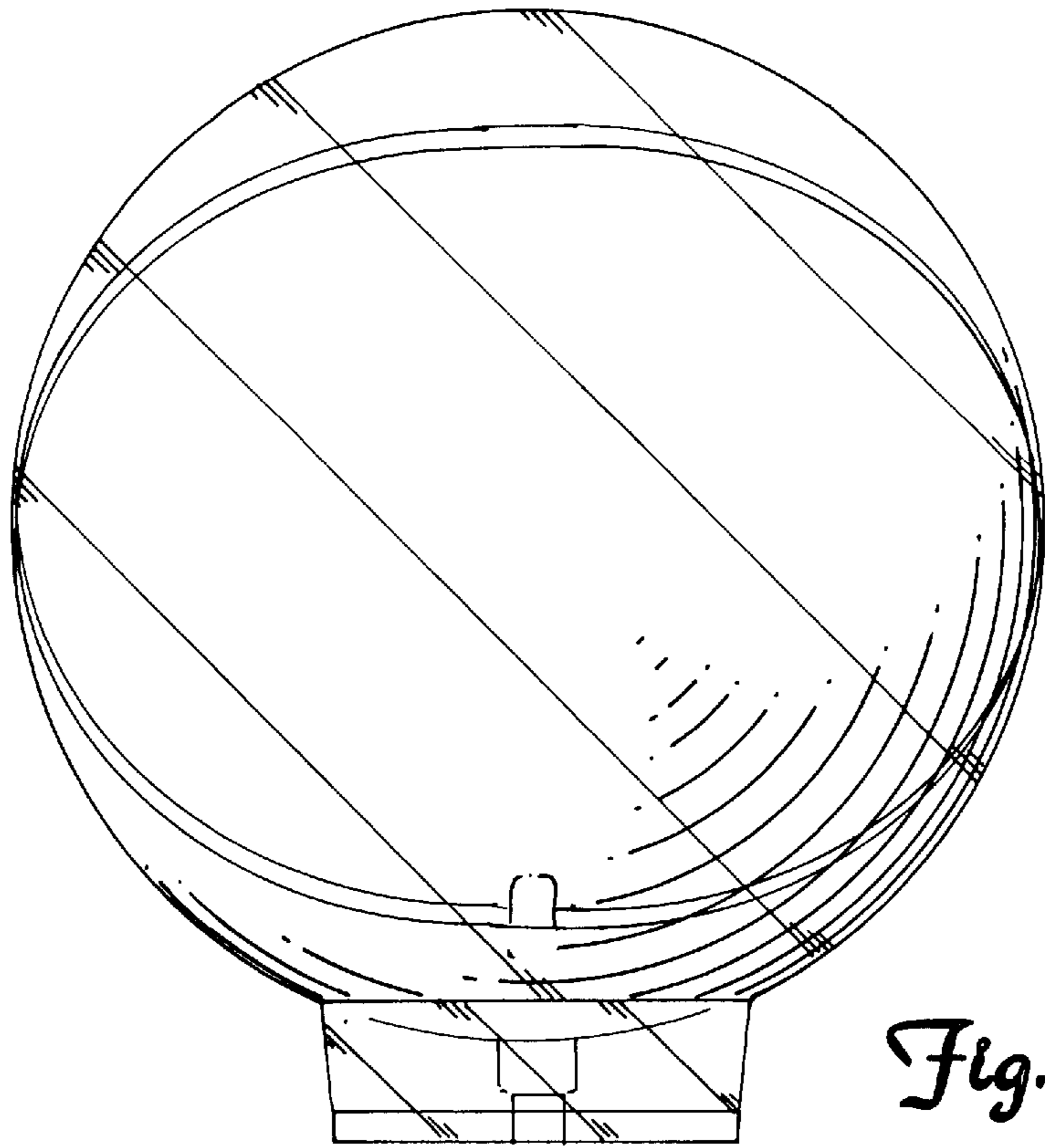


Fig. 3

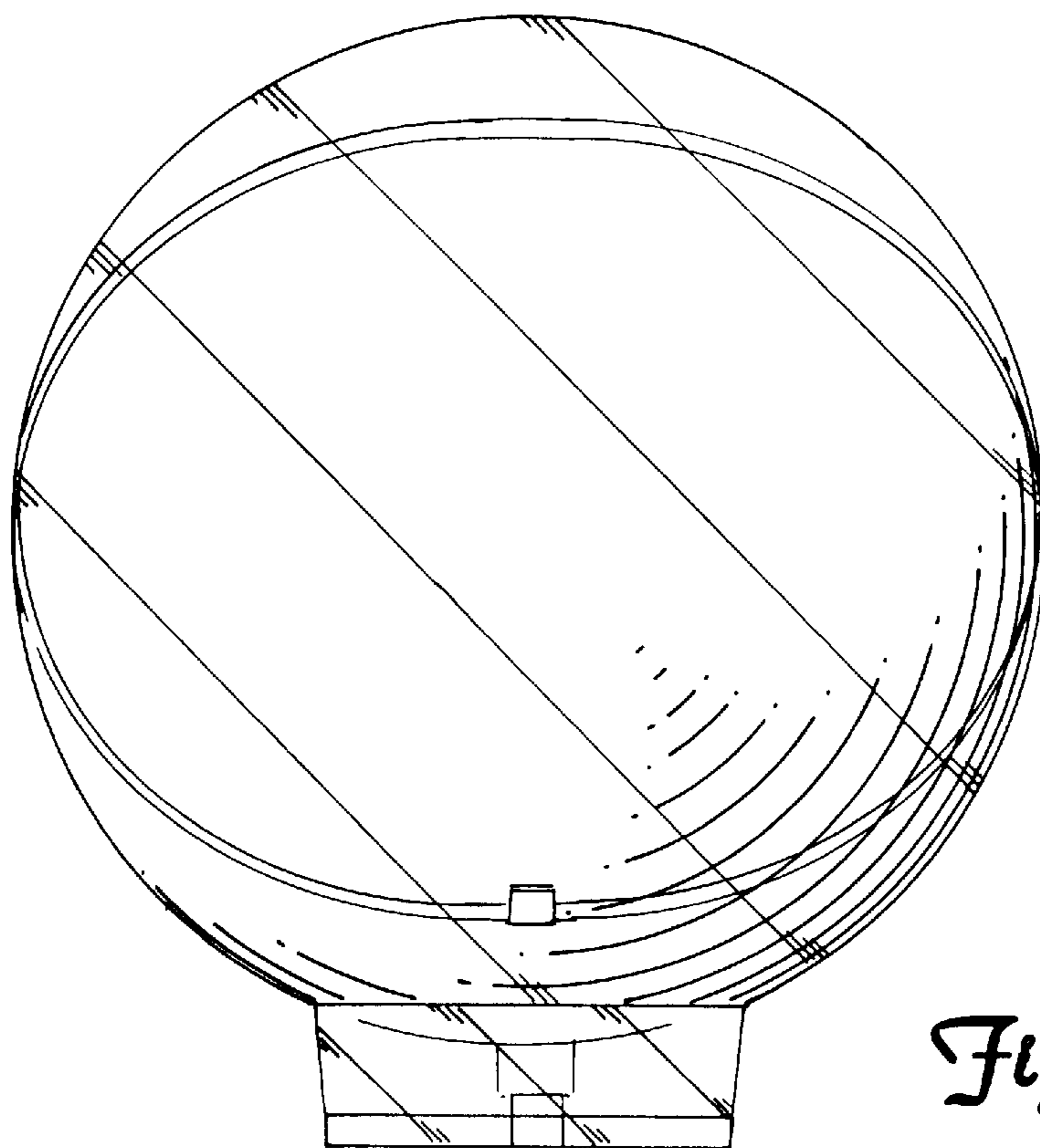


Fig. 4

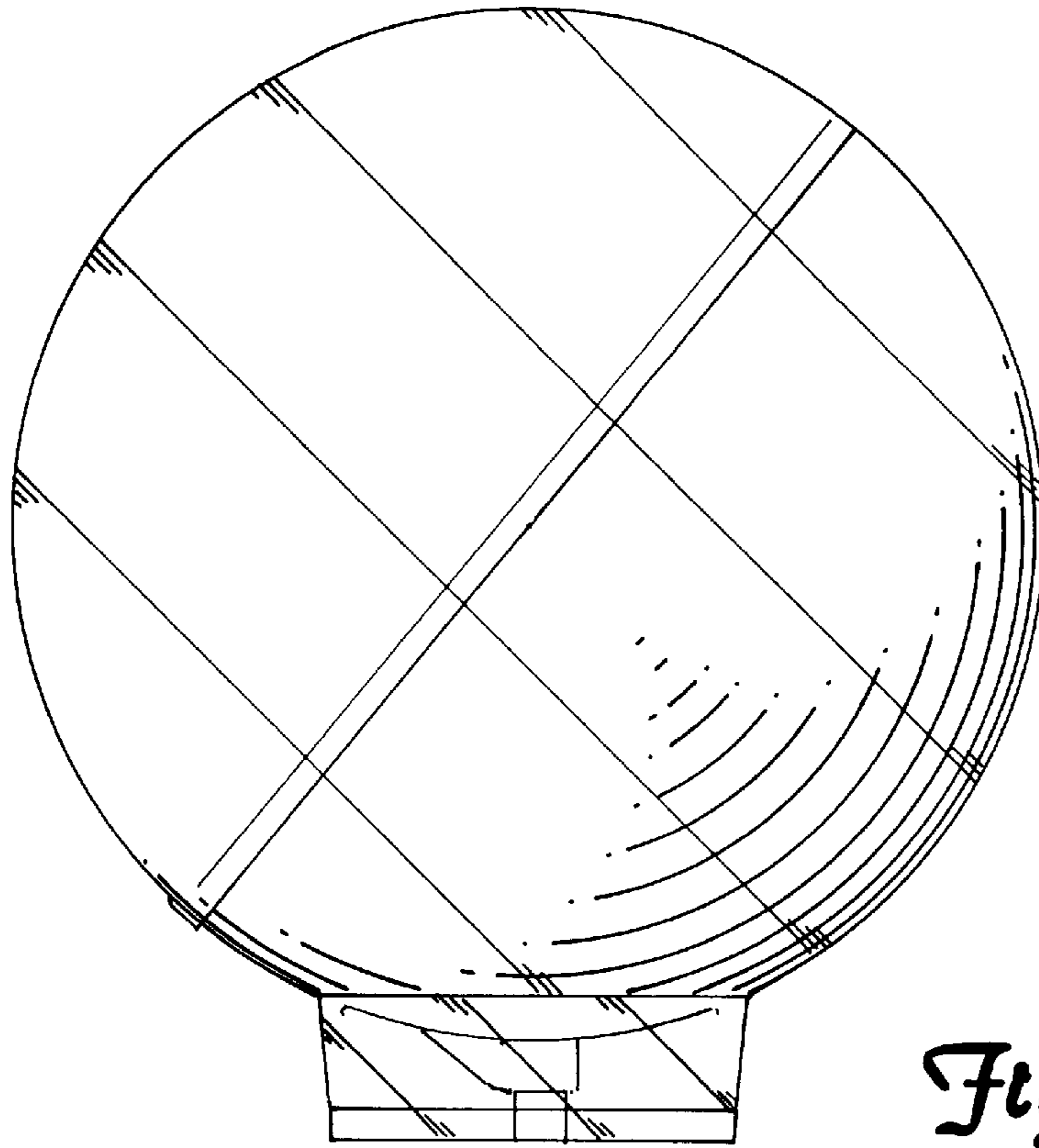


Fig. 5

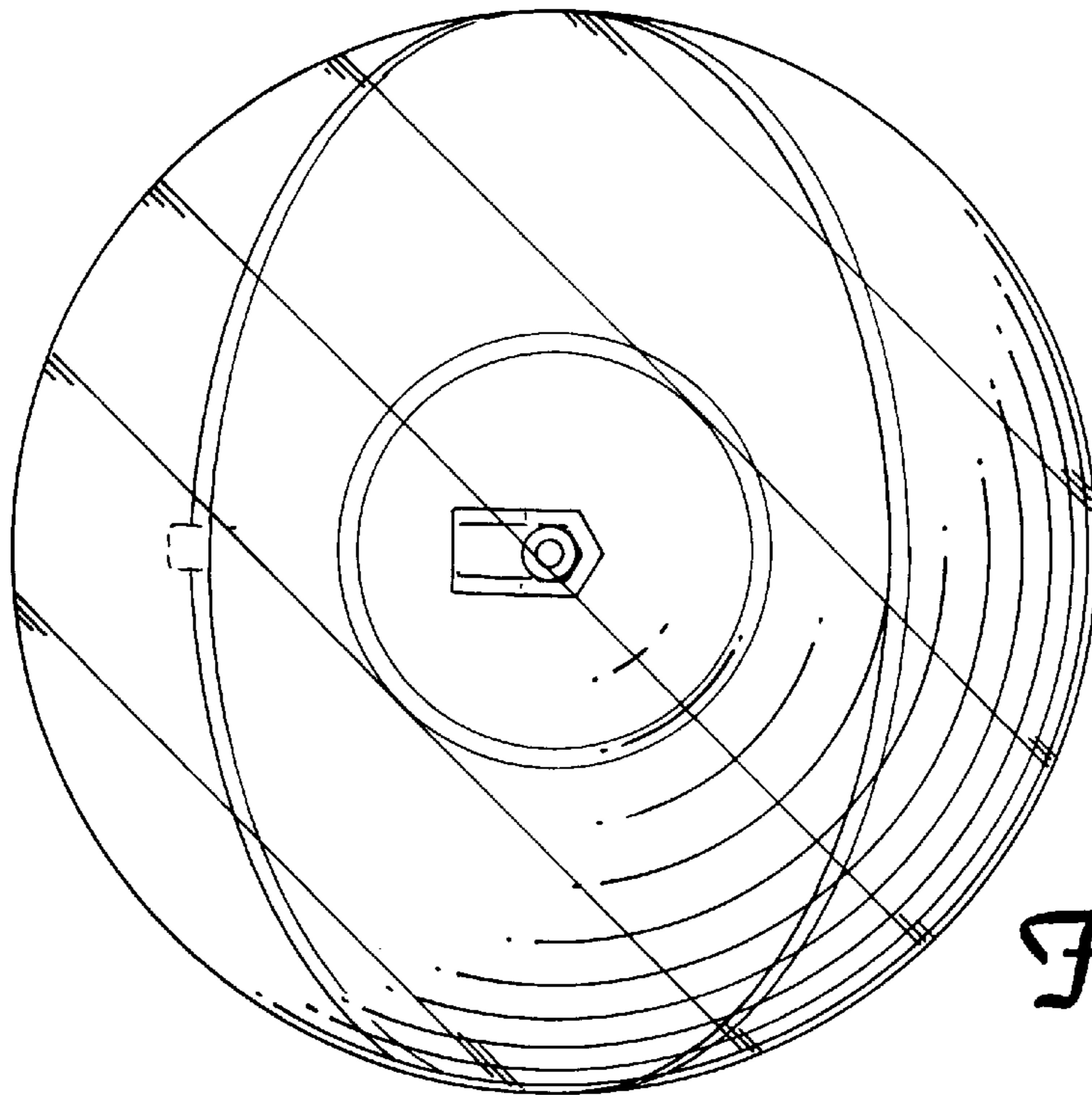


Fig. 6

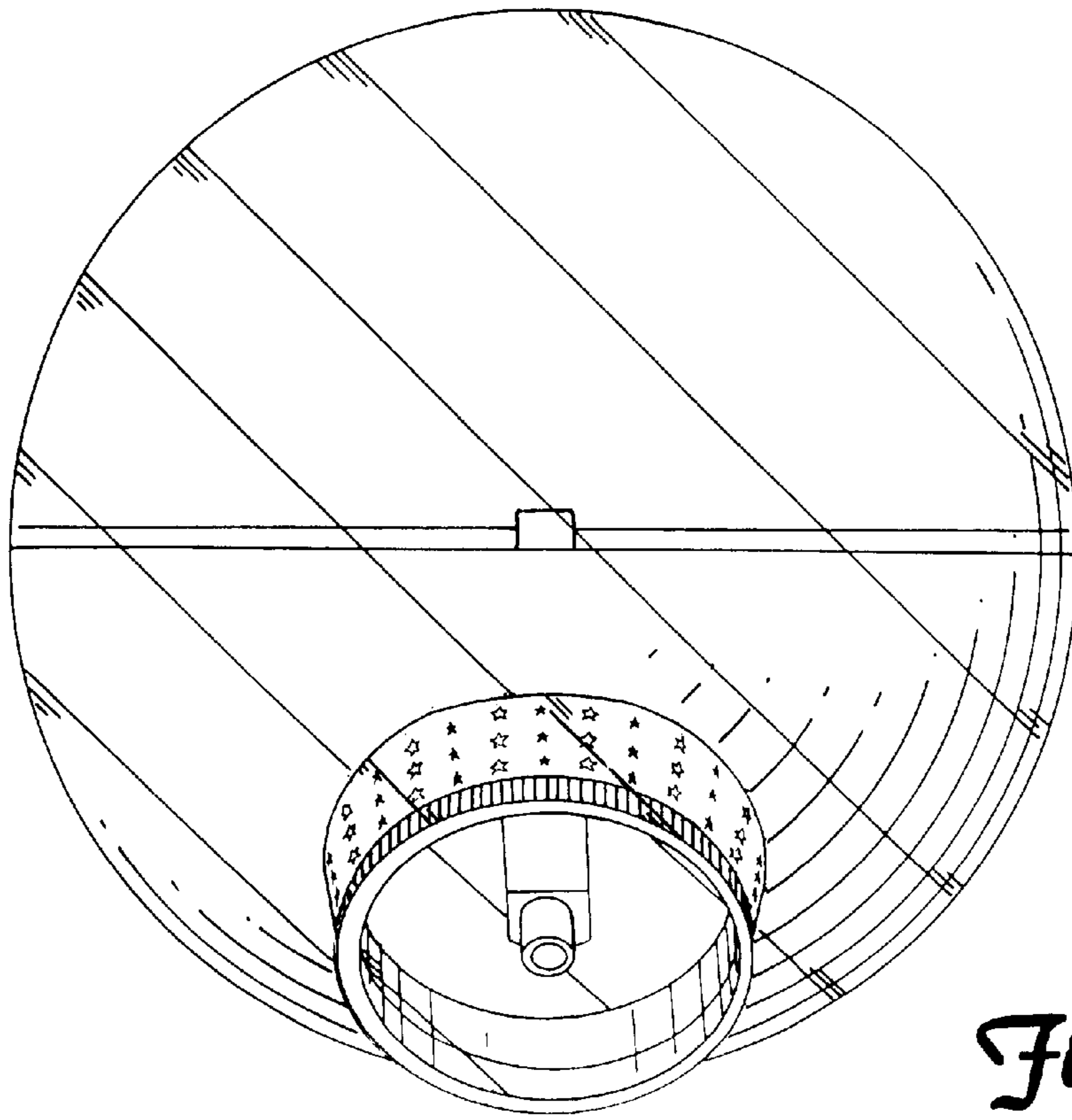


Fig. 7

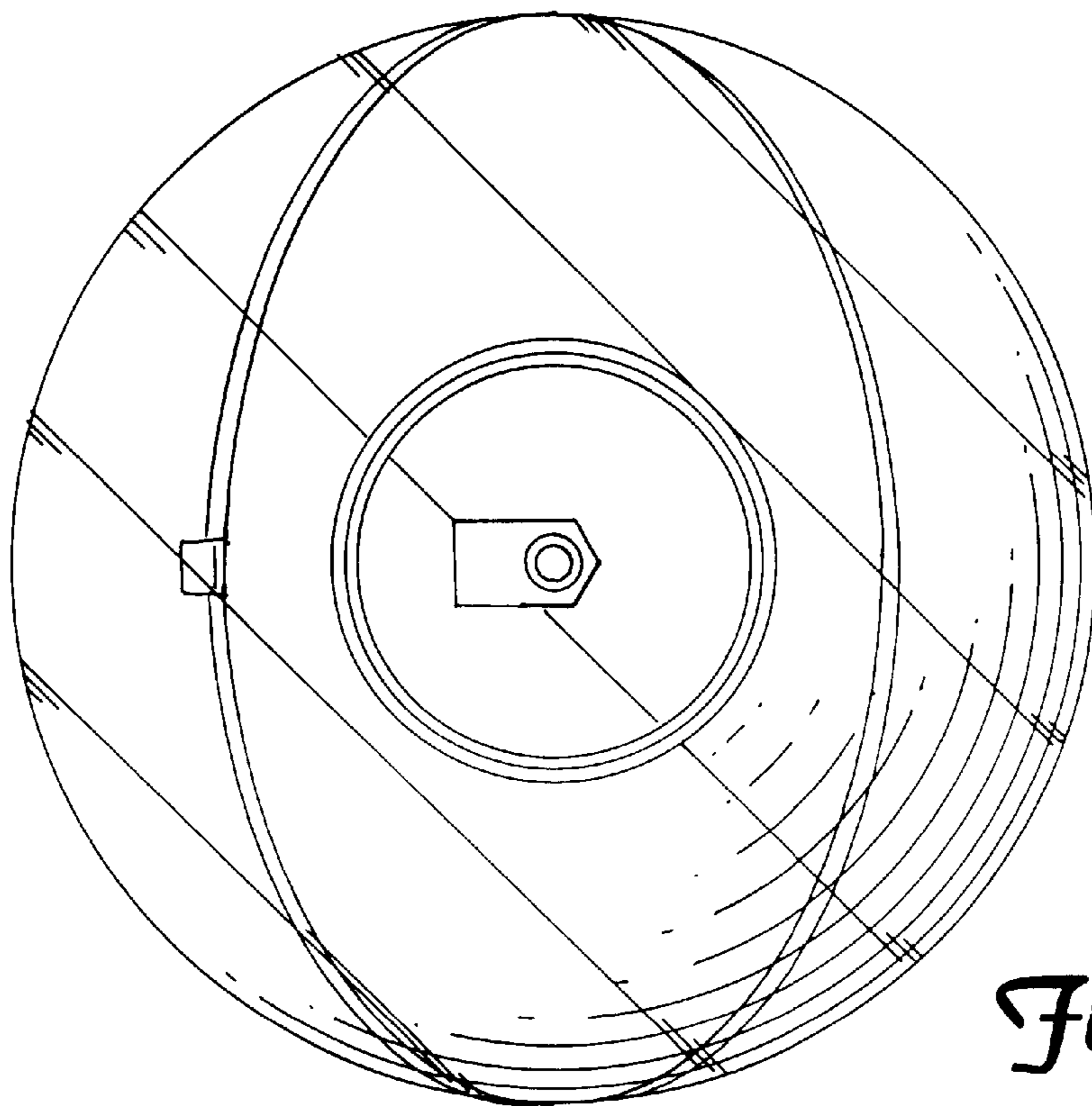


Fig. 8

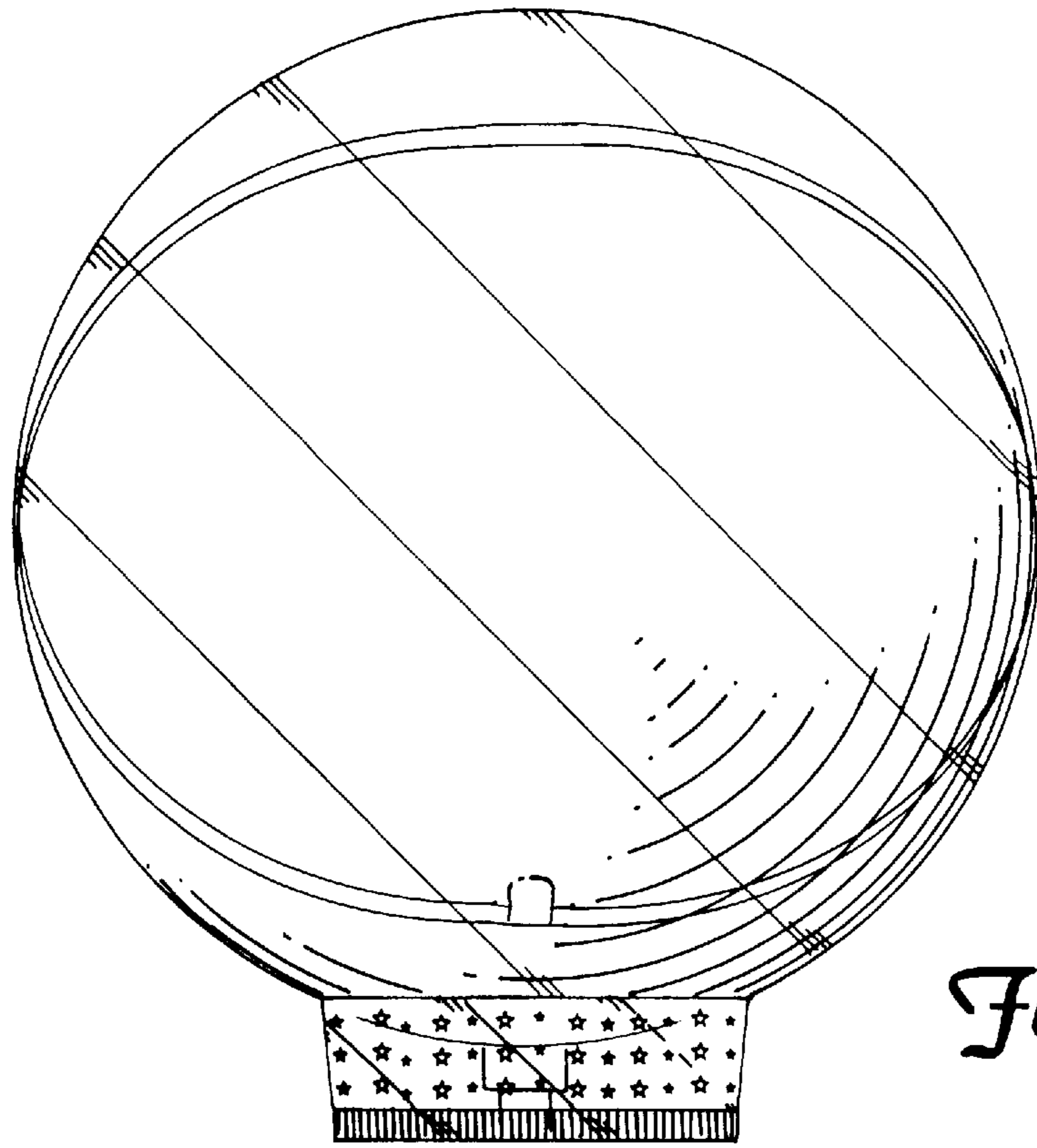


Fig. 9

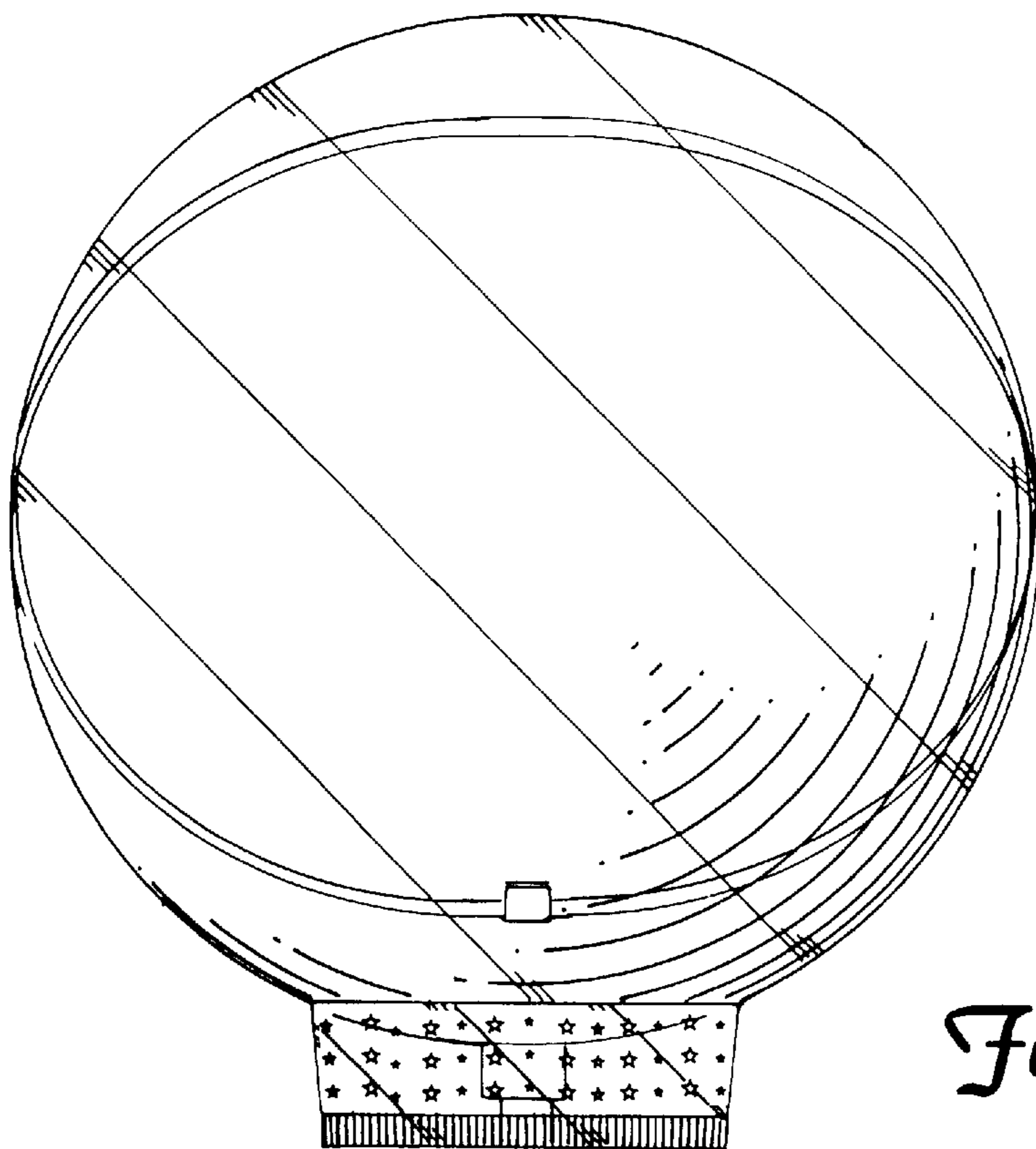


Fig. 10

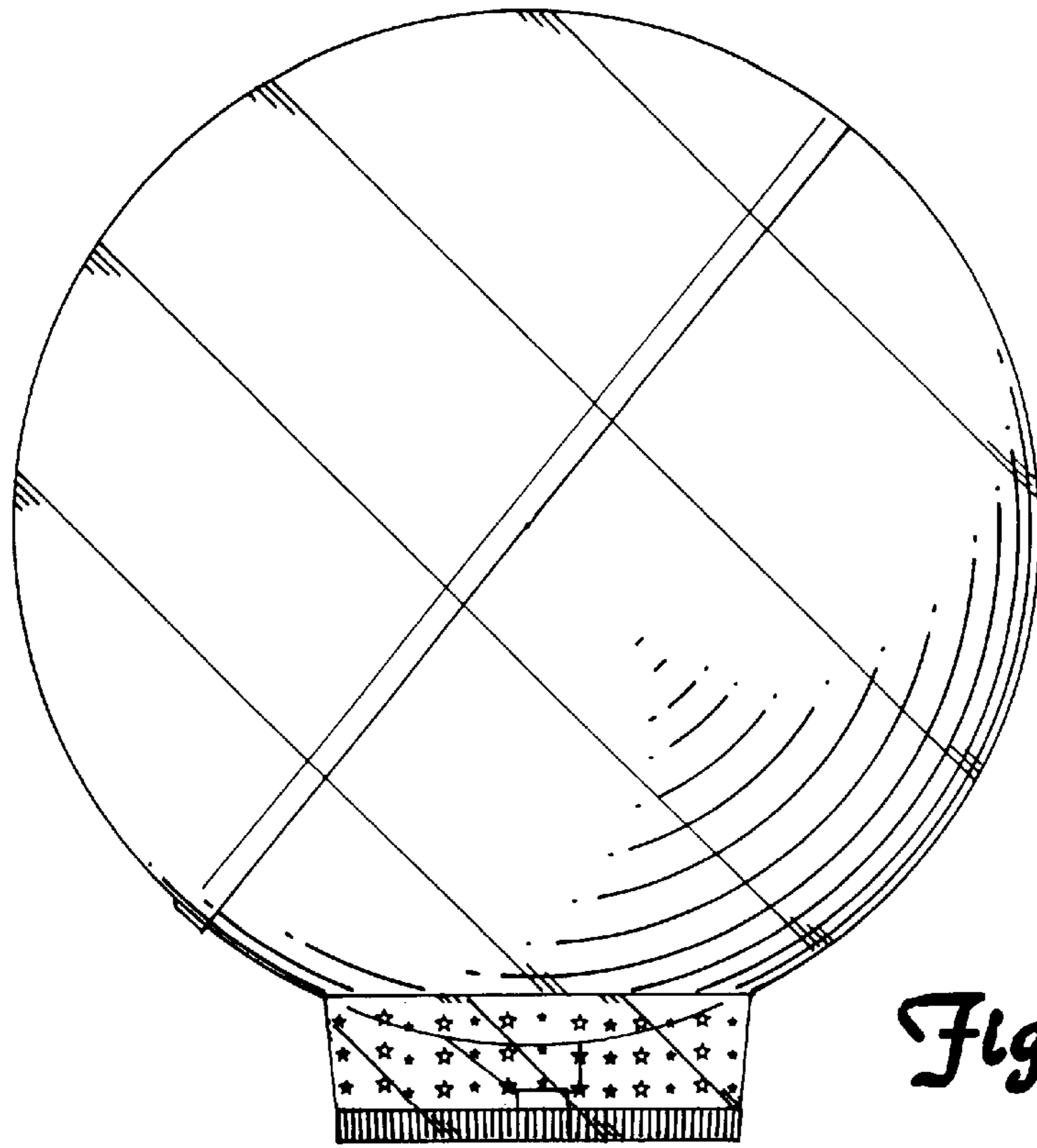


Fig. 11

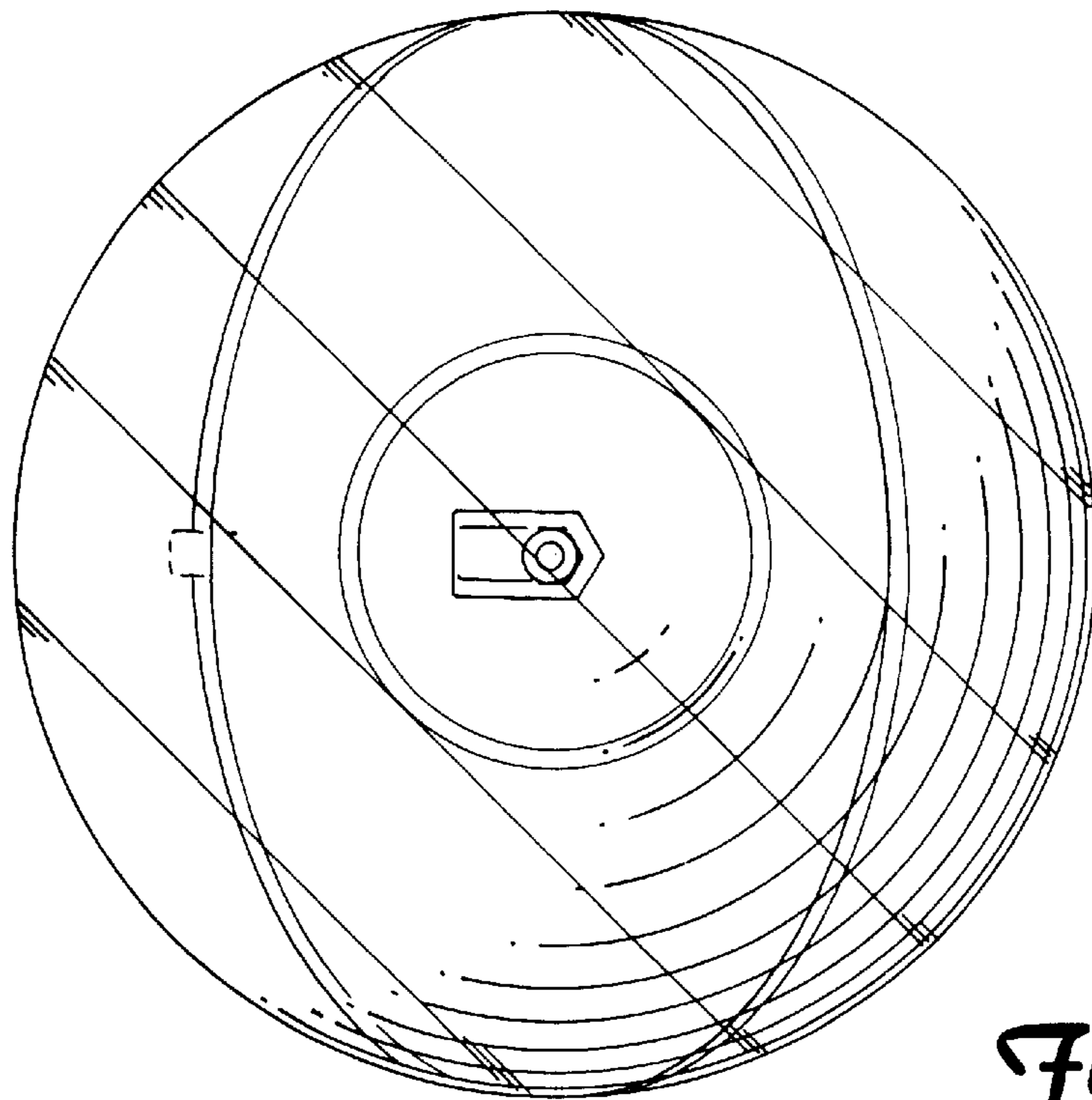


Fig. 12