



US00D417940S

United States Patent [19]

Coates et al.

[11] Patent Number: Des. 417,940

[45] Date of Patent: ** Dec. 28, 1999

[54] **INCONTINENCE BOXER SHORTS WITH INTERNAL POUCH FOR ABSORBENT PAD**

[75] Inventors: **Fredrica V. Coates**, Earlysville, Va.;
Daniel M. Sivilich, Freehold Township, N.J.

[73] Assignee: **Humanicare International, Inc.**, East Brunswick, N.J.

[**] Term: **14 Years**

[21] Appl. No.: **29/079,617**

[22] Filed: **Dec. 8, 1997**

[51] **LOC (6) Cl.** **02-01**

[52] **U.S. Cl.** **D2/713; D2/100; D2/712**

[58] **Field of Search** **D2/700, 712, 713; 2/400, 401, 403, 404; 602/70, 71, 72; D24/126**

[56] **References Cited**

U.S. PATENT DOCUMENTS

D. 302,623	8/1989	Robinson	D2/712
2,601,602	6/1952	Firsching, Sr.	2/403
3,246,341	4/1966	Paolucci	D2/712 X
3,714,946	2/1973	Rudes	2/404
4,555,245	11/1985	Armbruster	2/403
4,644,946	2/1987	Thorner	2/403
5,435,014	7/1995	Moretz et al.	2/400
5,669,902	9/1997	Sivilich	.	

Primary Examiner—Louis S. Zarfaz
Assistant Examiner—Monica A. Weingart

Attorney, Agent, or Firm—Robert L. Epstein; Harold James; James & Franklin, LLP

[57] **CLAIM**

The ornamental design for incontinence boxer shorts with internal pouch for absorbent pad, as shown and described.

DESCRIPTION

FIG. 1 is a plan view of the interior of the incontinence boxer shorts with internal pouch for absorbent pad of a first preferred embodiment of the present invention;
 FIG. 2 is a side view of the internal pouch of the first preferred embodiment of the present invention;
 FIG. 3 is a front end view of a portion of the waistband and of the internal pouch of the first preferred embodiment of the present invention;
 FIG. 4 is a back end view of a portion of the waistband and of the internal pouch of the first preferred embodiment of the present invention;
 FIG. 5 is a plan view of the exterior of the boxer shorts of the first preferred embodiment of the present invention;
 FIG. 6 is a plan view of the interior of the boxer shorts of a second preferred embodiment of the present invention;
 FIG. 7 is a plan view of the interior of the boxer shorts of a third preferred embodiment of the present invention;
 FIG. 8 is a plan view of the interior of the boxer shorts of a fourth preferred embodiment of the present invention;
 FIG. 9 is a plan view of the interior of the boxer shorts of a fifth preferred embodiment of the present invention; and,
 FIG. 10 is a plan view of the exterior of the boxer shorts of the fifth preferred embodiment of the present invention.

1 Claim, 8 Drawing Sheets

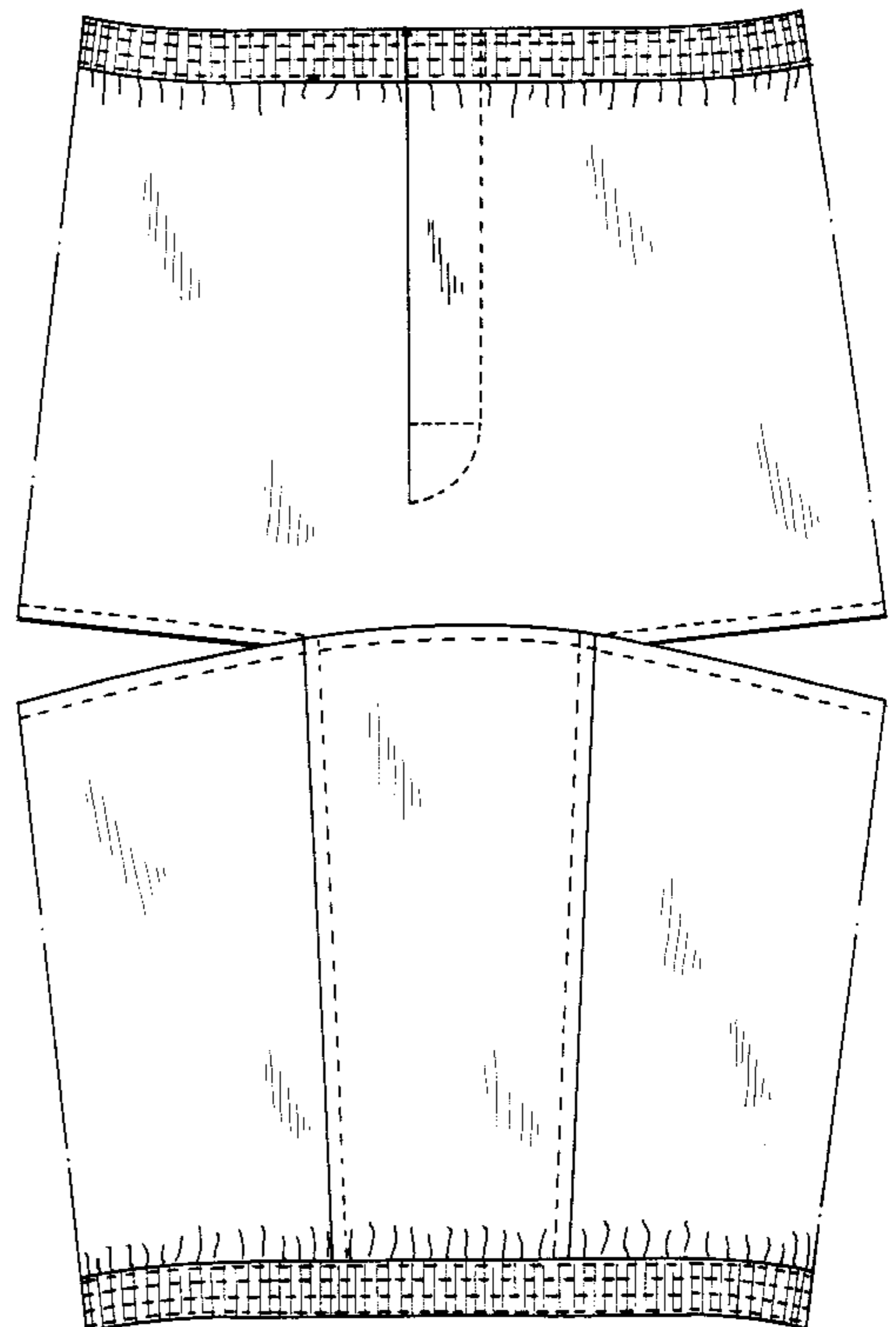
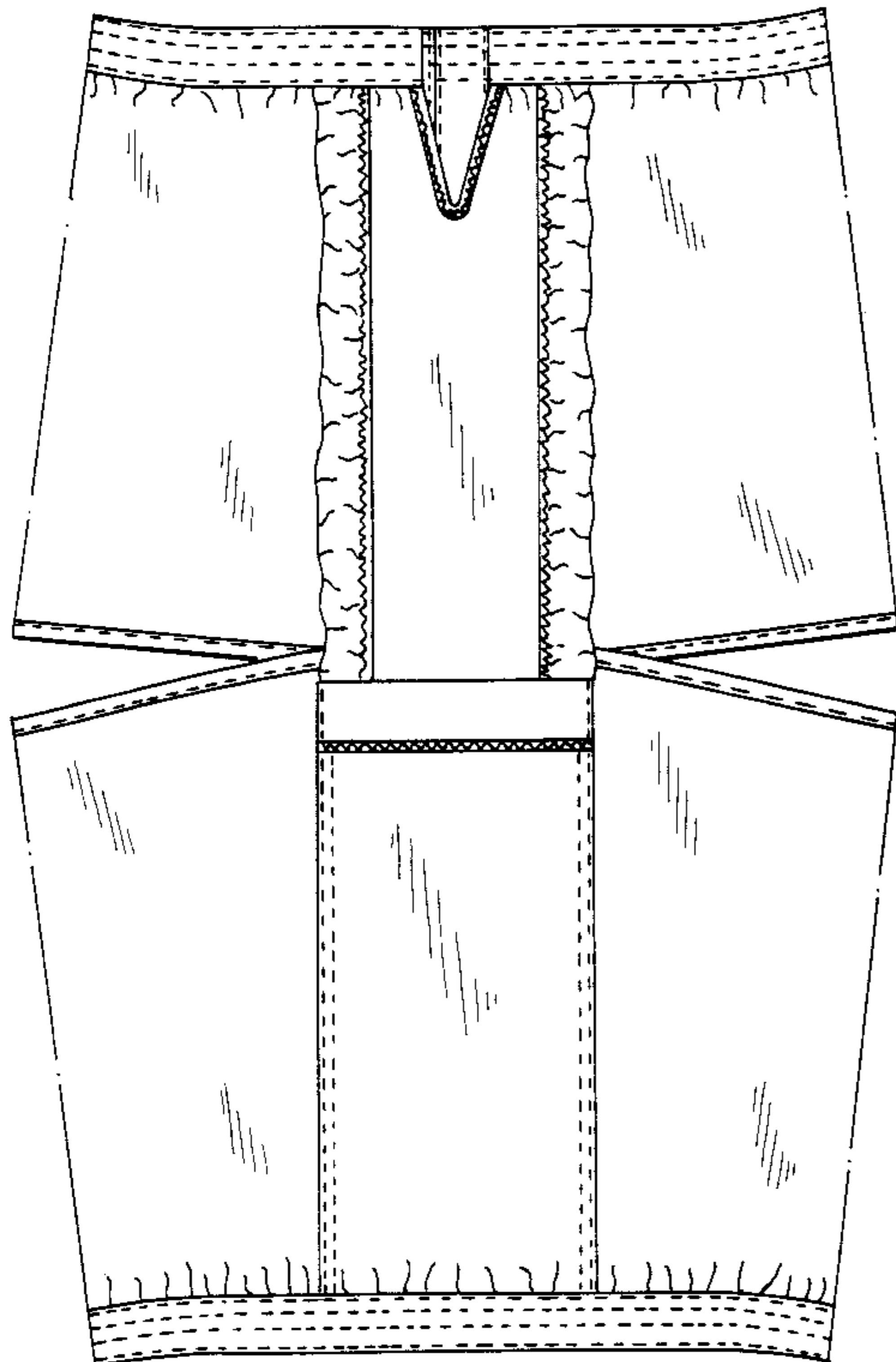


FIG. 1

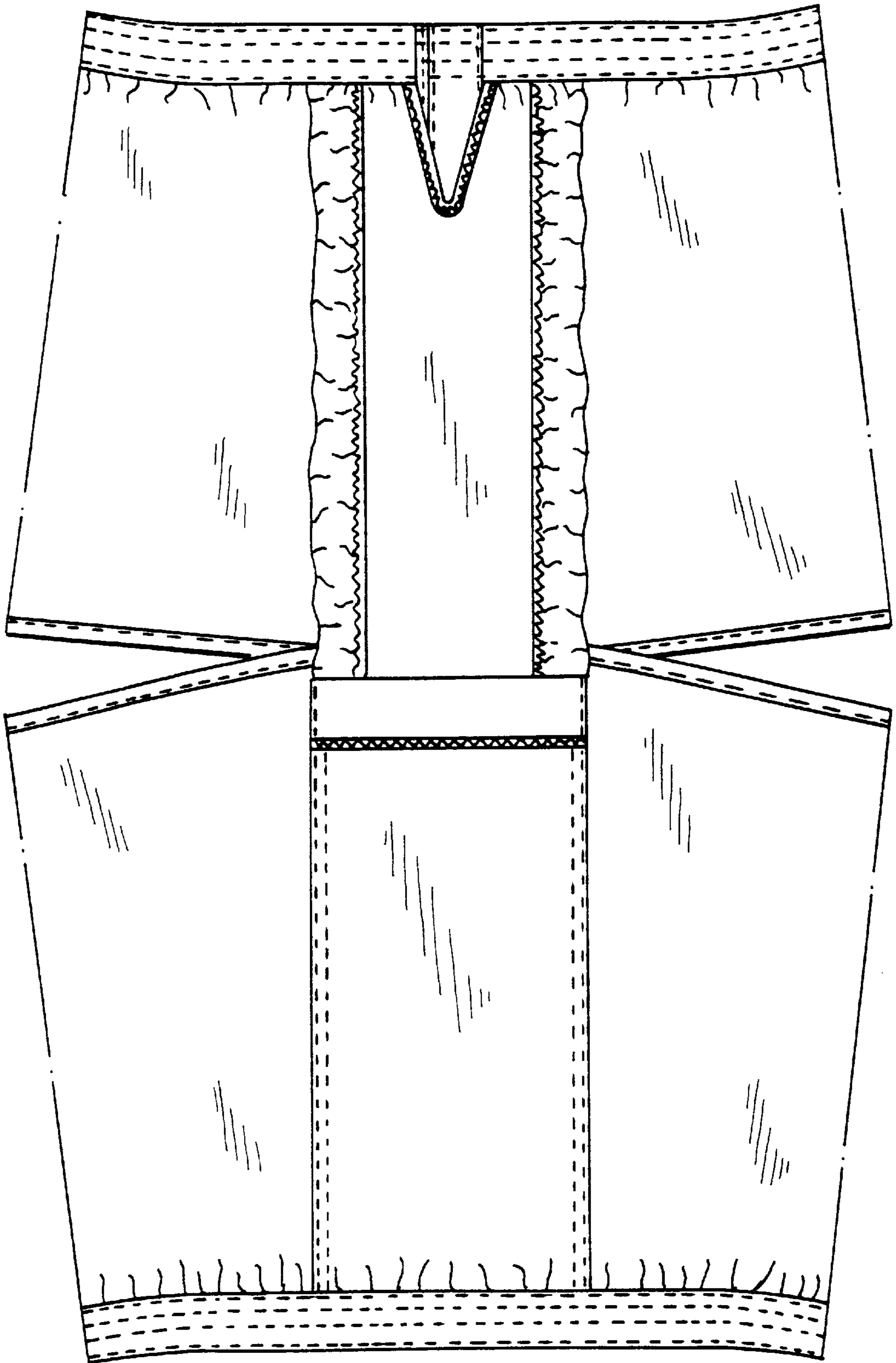




FIG. 2

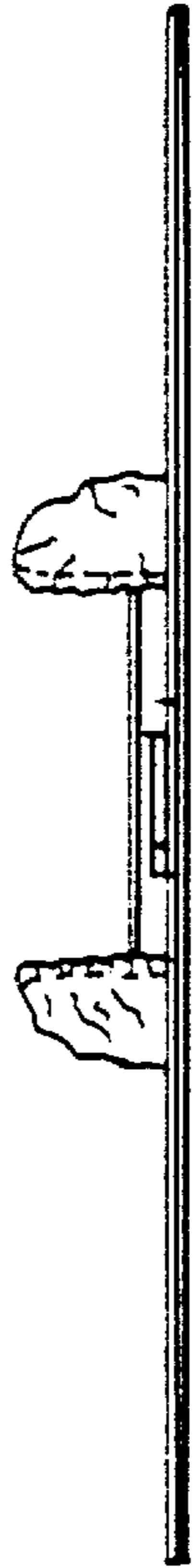


FIG. 3



FIG. 4

FIG. 5

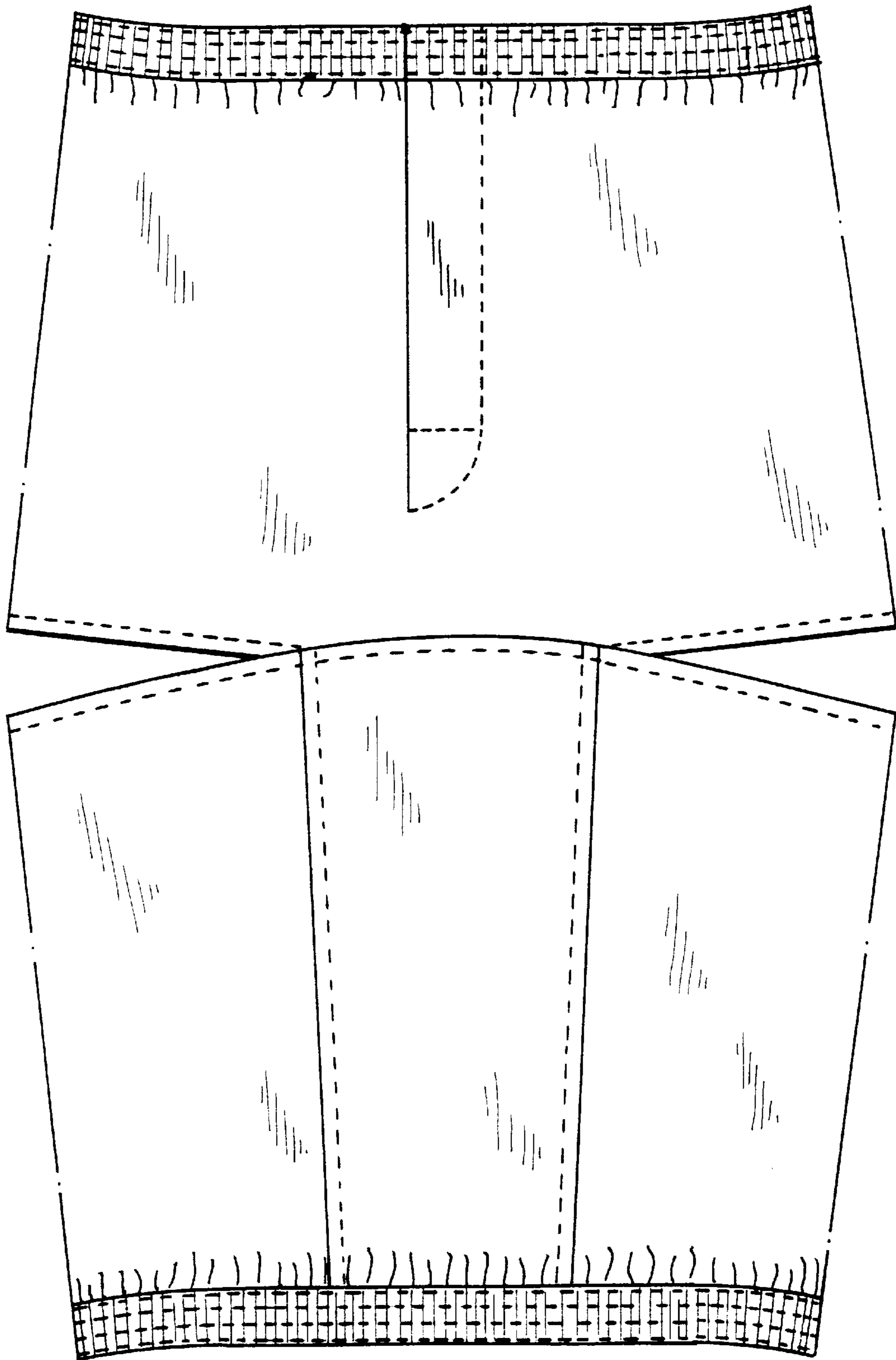


FIG. 6

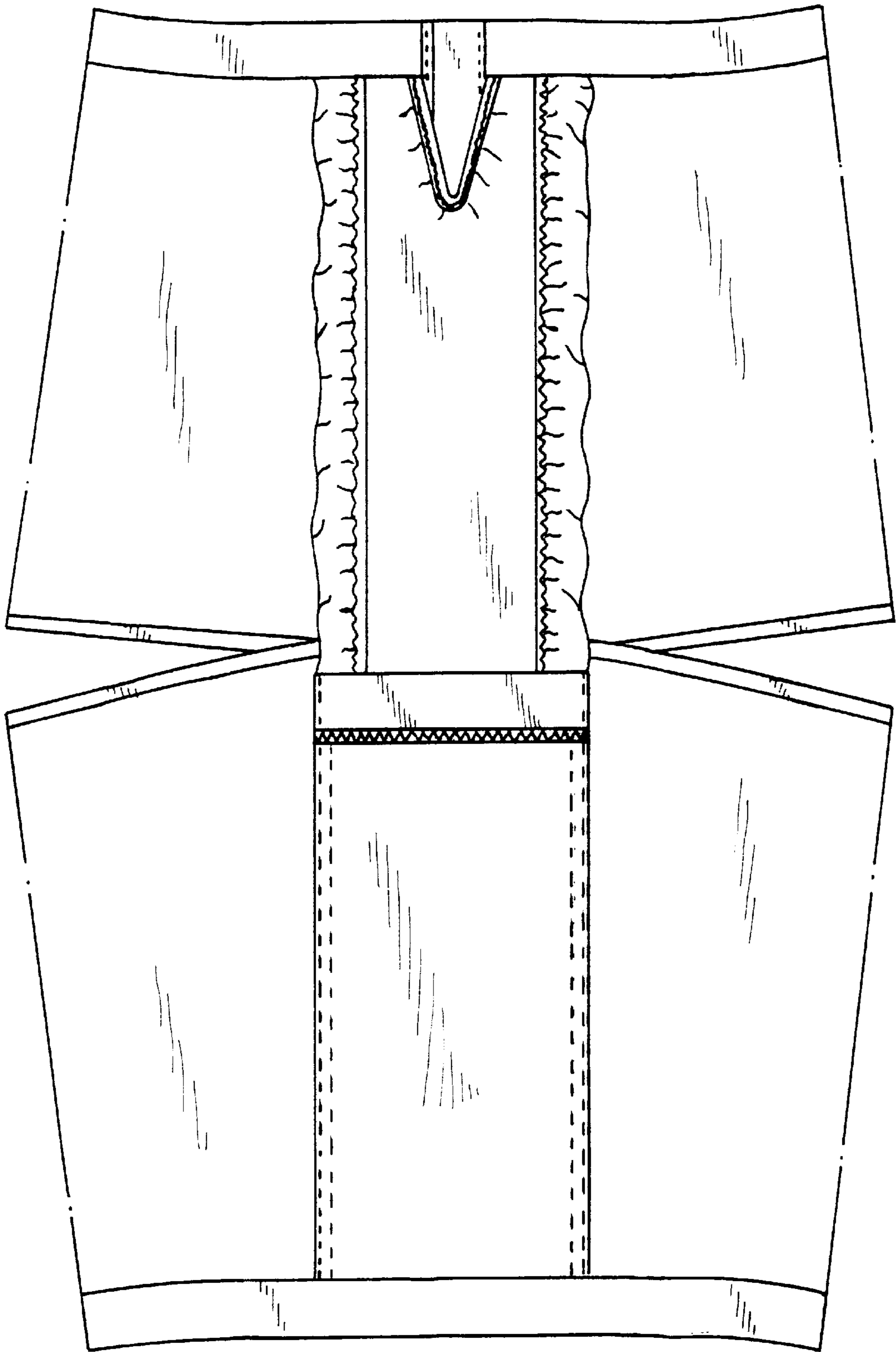


FIG. 7

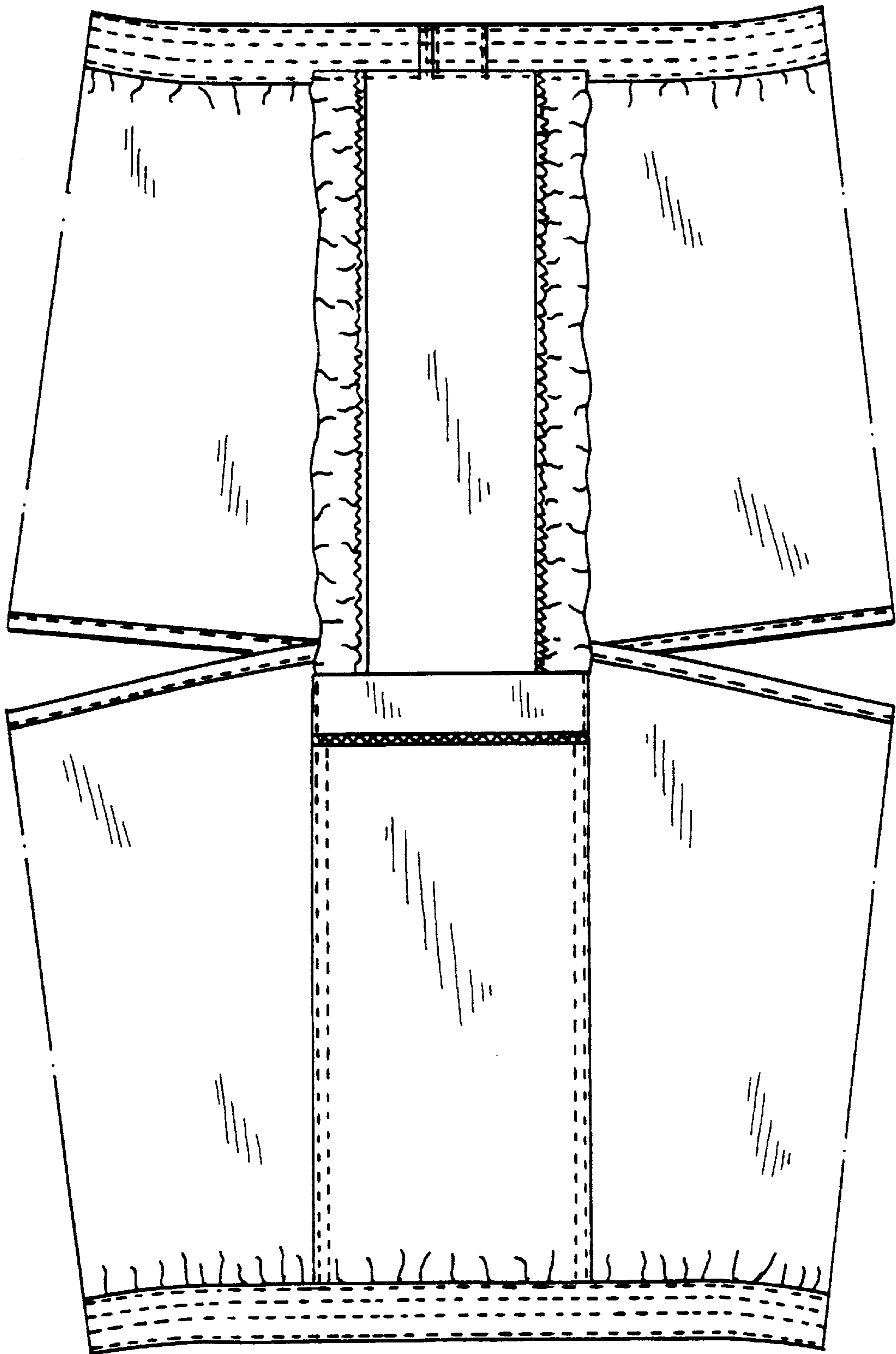


FIG. 8

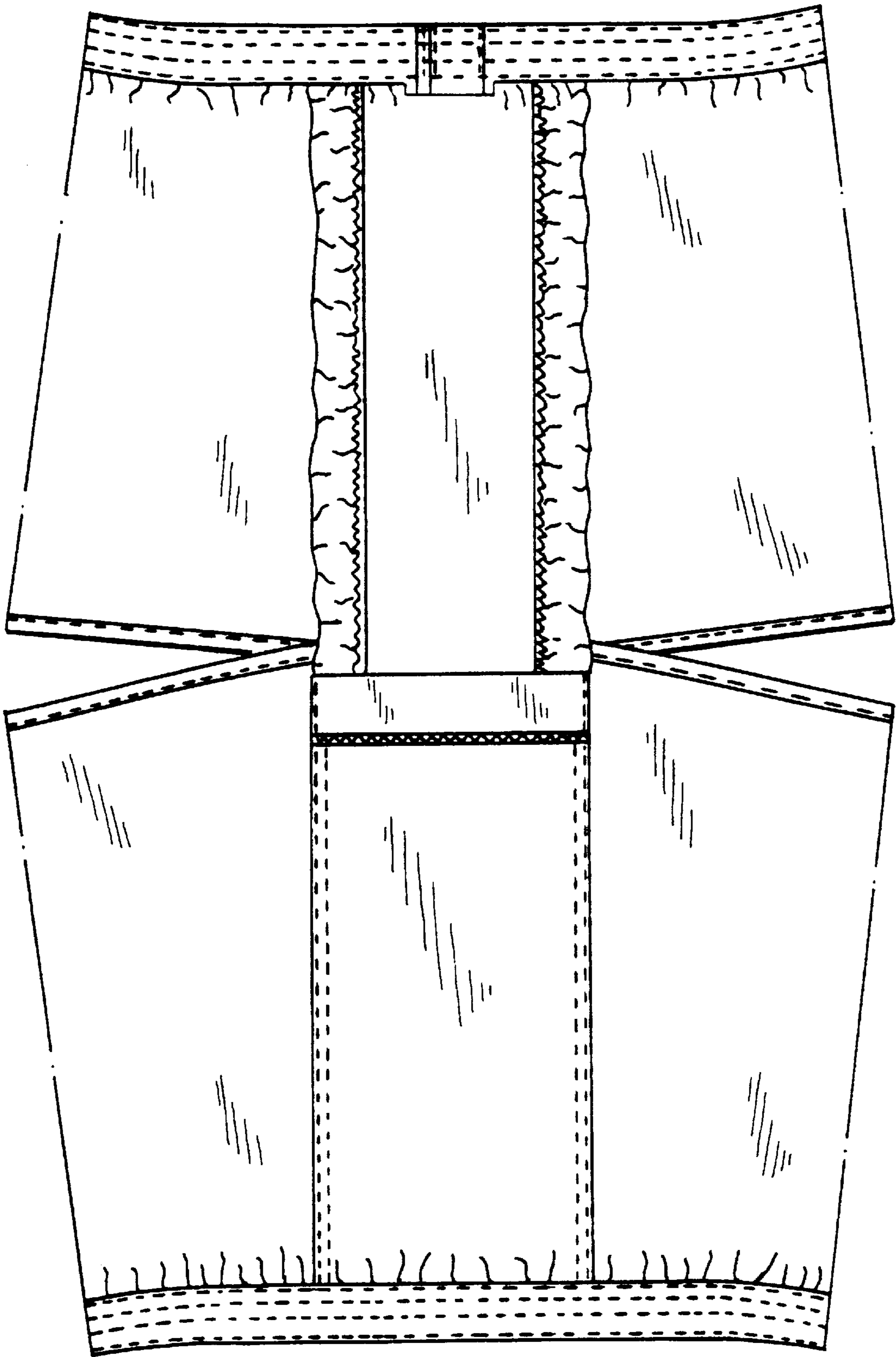


FIG. 9

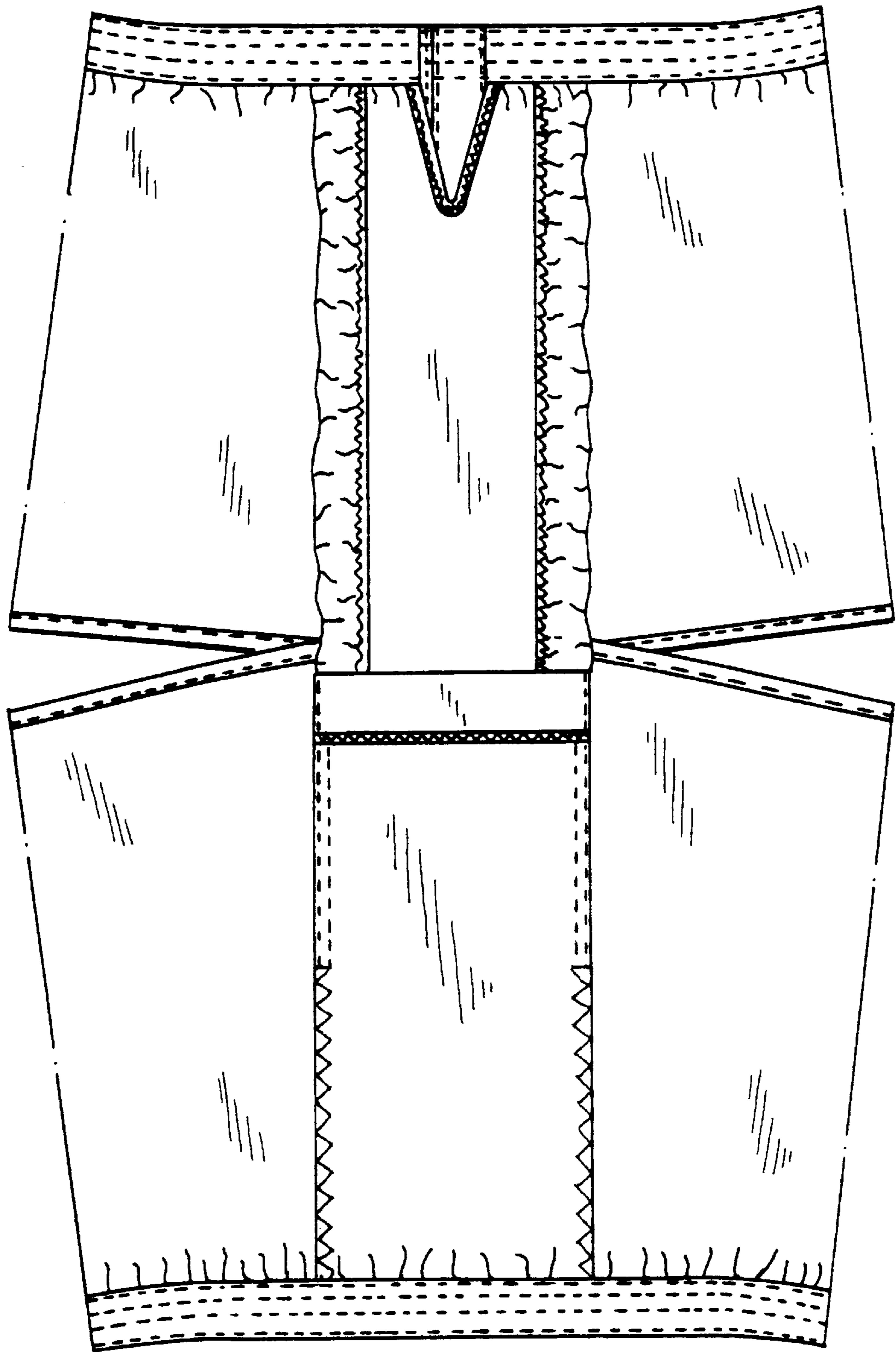


FIG. 10

