



US00D417938S

United States Patent [19] Brandt

[11] **Patent Number: Des. 417,938**

[45] **Date of Patent: ** Dec. 28, 1999**

[54] **CAMOUFLAGE SLEEVE**

[76] **Inventor: Darrell W. Brandt**, HCR 33, Box 285,
Elkins, Ark. 72727

[**] **Term: 14 Years**

[21] **Appl. No.: 29/091,271**

[22] **Filed: Jul. 27, 1998**

[51] **LOC (6) Cl. 02-06**

[52] **U.S. Cl. D2/613; D2/610**

[58] **Field of Search D2/610, 611, 858,
D2/743, 860, 613, 612; D29/120; 2/59,
900**

[56] **References Cited**

U.S. PATENT DOCUMENTS

D. 25,189	2/1896	McMahon	D2/611
D. 300,984	5/1989	Carter et al.	D2/611
D. 305,579	1/1990	Cato	D2/610
D. 313,674	1/1991	Sharpe	D2/610
D. 363,811	11/1995	Burrow	D2/743
410,600	9/1889	Mills	2/59

2,326,422	8/1943	Weisberger	2/59
3,657,741	4/1972	Blanco	2/59
4,856,112	8/1989	Effe	2/59

Primary Examiner—Celia Murphy
Attorney, Agent, or Firm—Boyd D. Cox

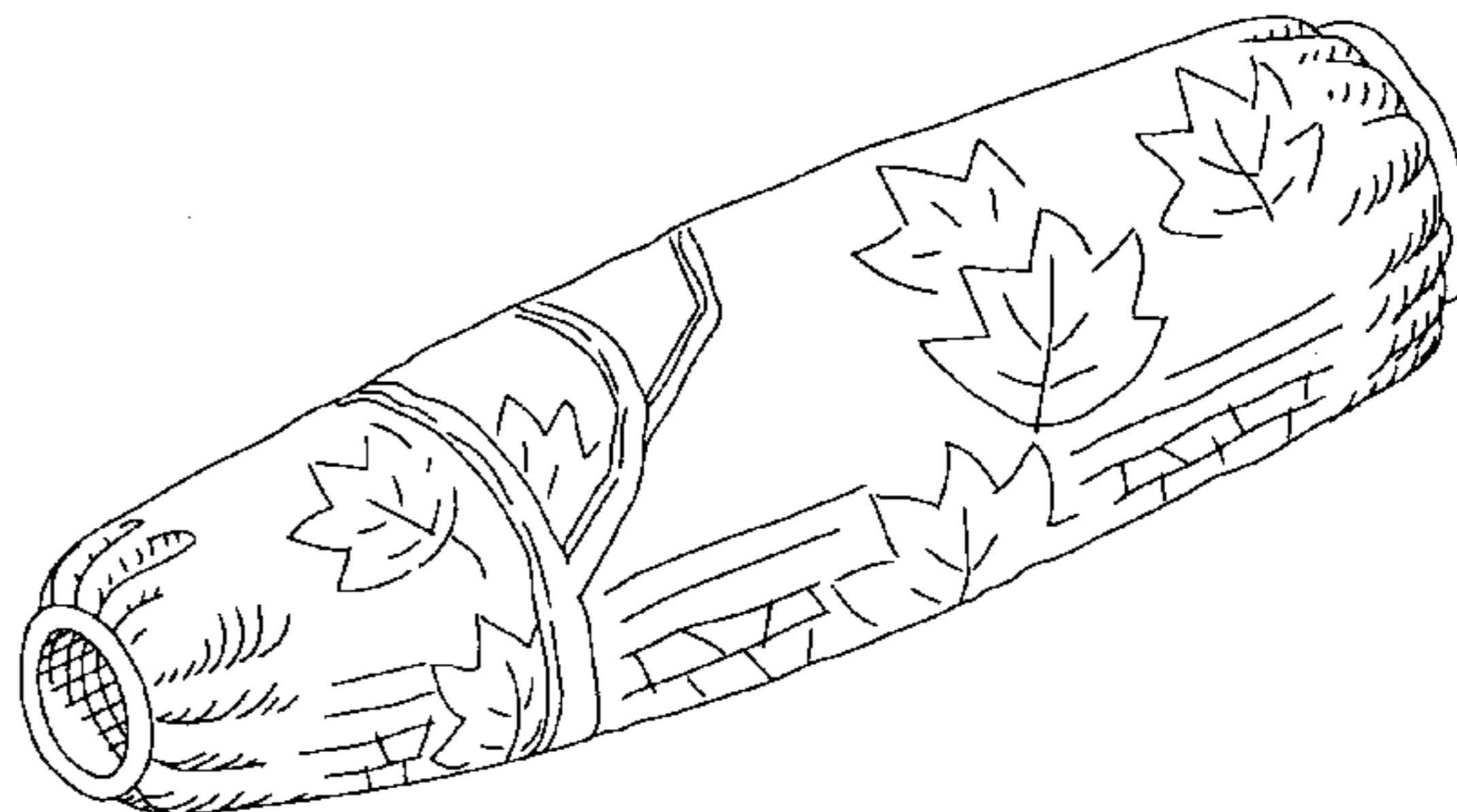
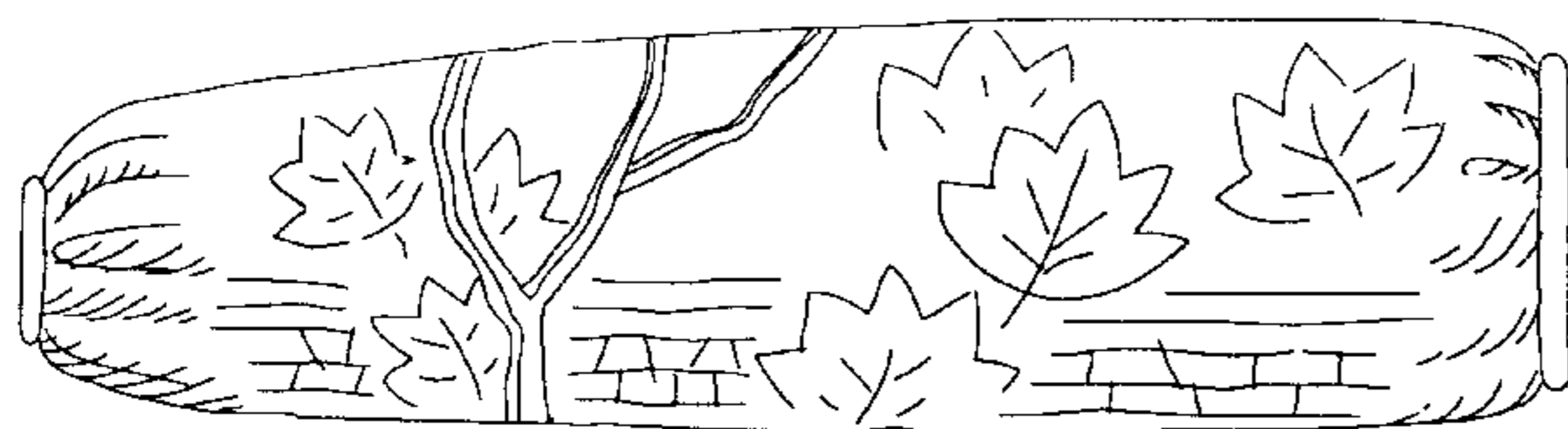
[57] **CLAIM**

The ornamental design of a camouflage sleeve, as shown.

DESCRIPTION

FIG. 1 is a front elevational view of a camouflage sleeve showing my new design;
FIG. 2 is a top plan view of the camouflage sleeve of FIG. 1;
FIG. 3 is a bottom plan view of the camouflage sleeve of FIG. 1;
FIG. 4 is a right elevational view of the camouflage sleeve of FIG. 1;
FIG. 5 is a left elevational view of the camouflage sleeve of FIG. 1; and,
FIG. 6 is a front top right perspective view of the camouflage sleeve of FIG. 1.

1 Claim, 2 Drawing Sheets



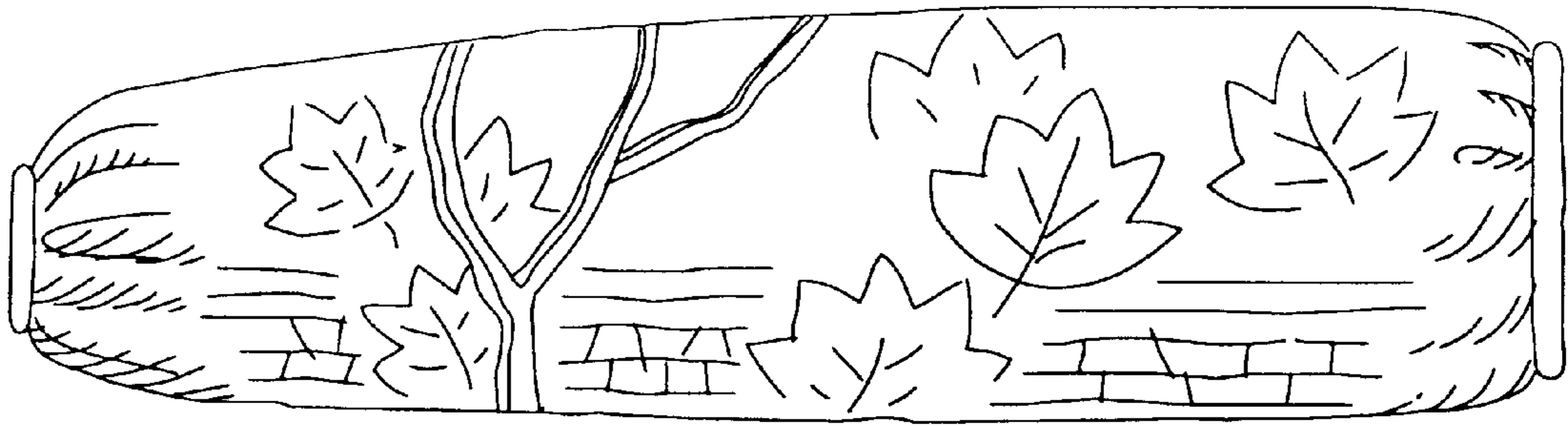


FIG. 1

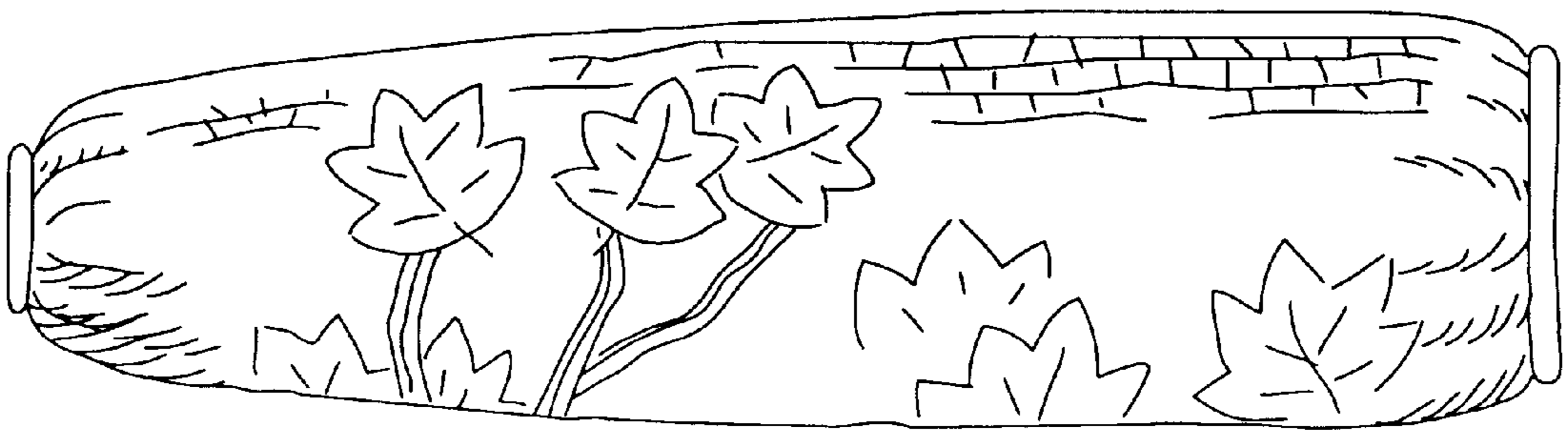


FIG. 2

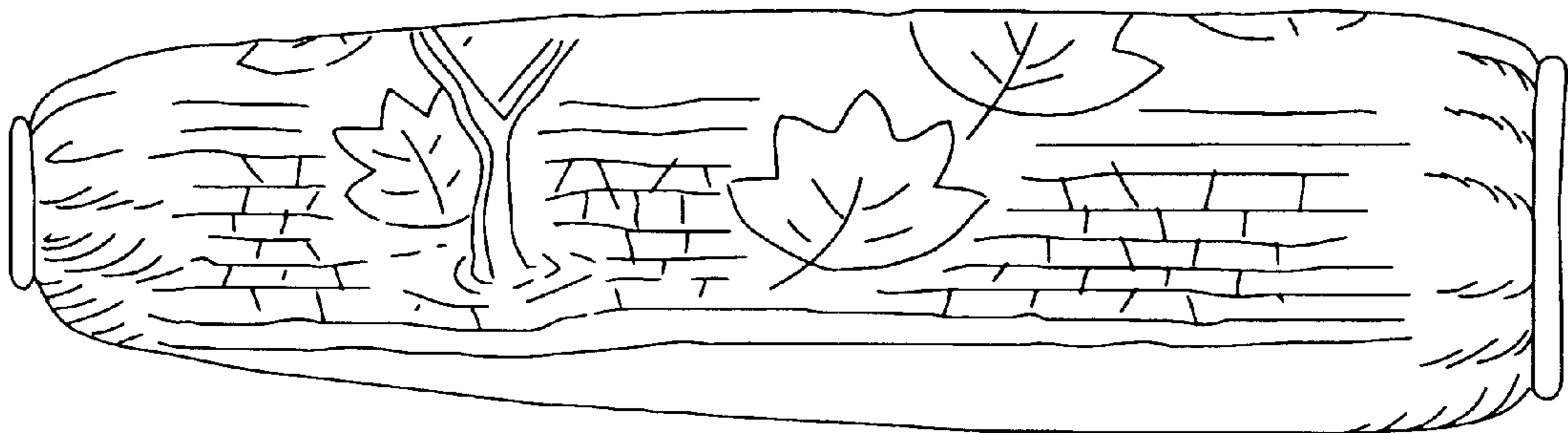


FIG. 3

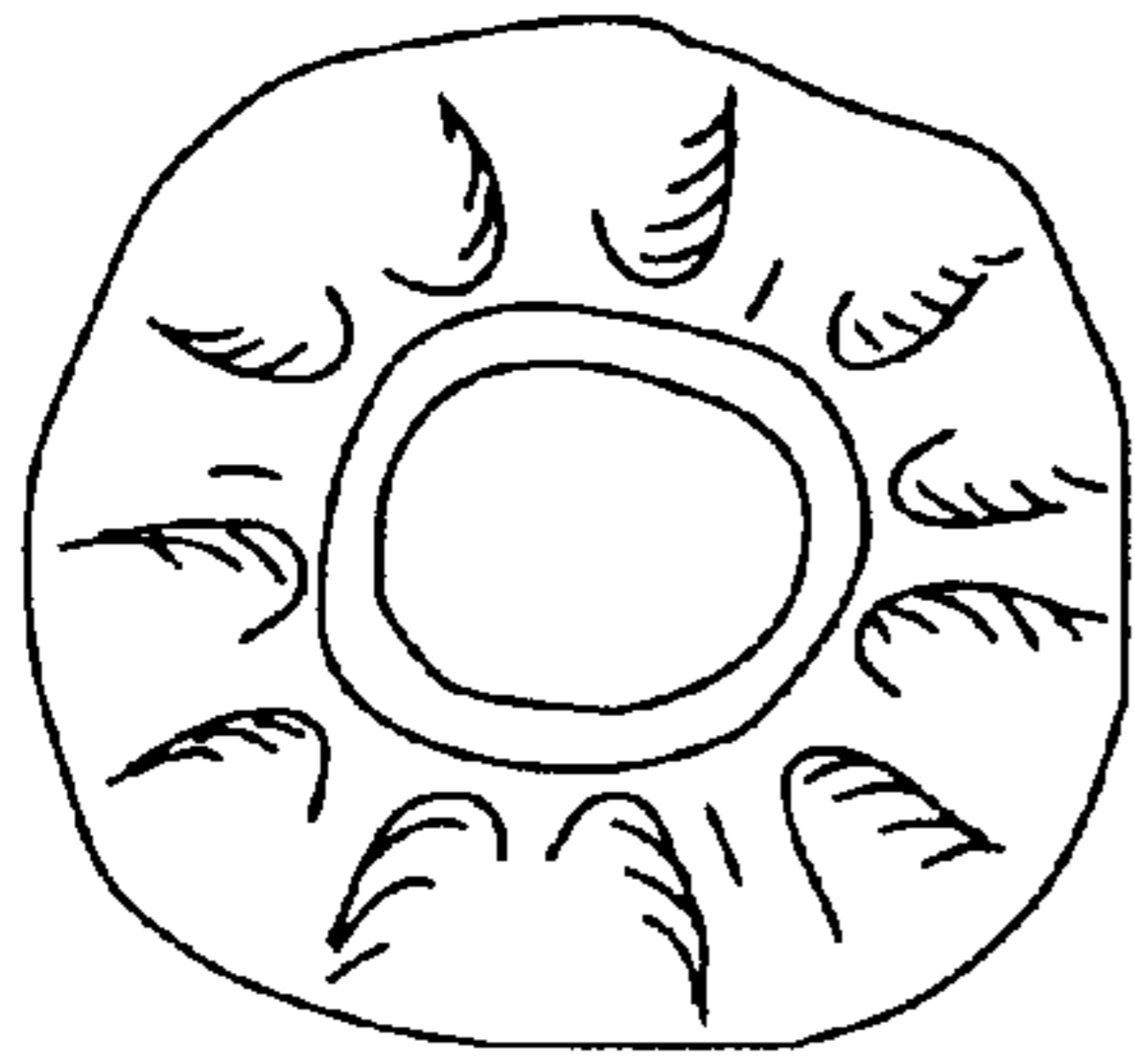


FIG. 5

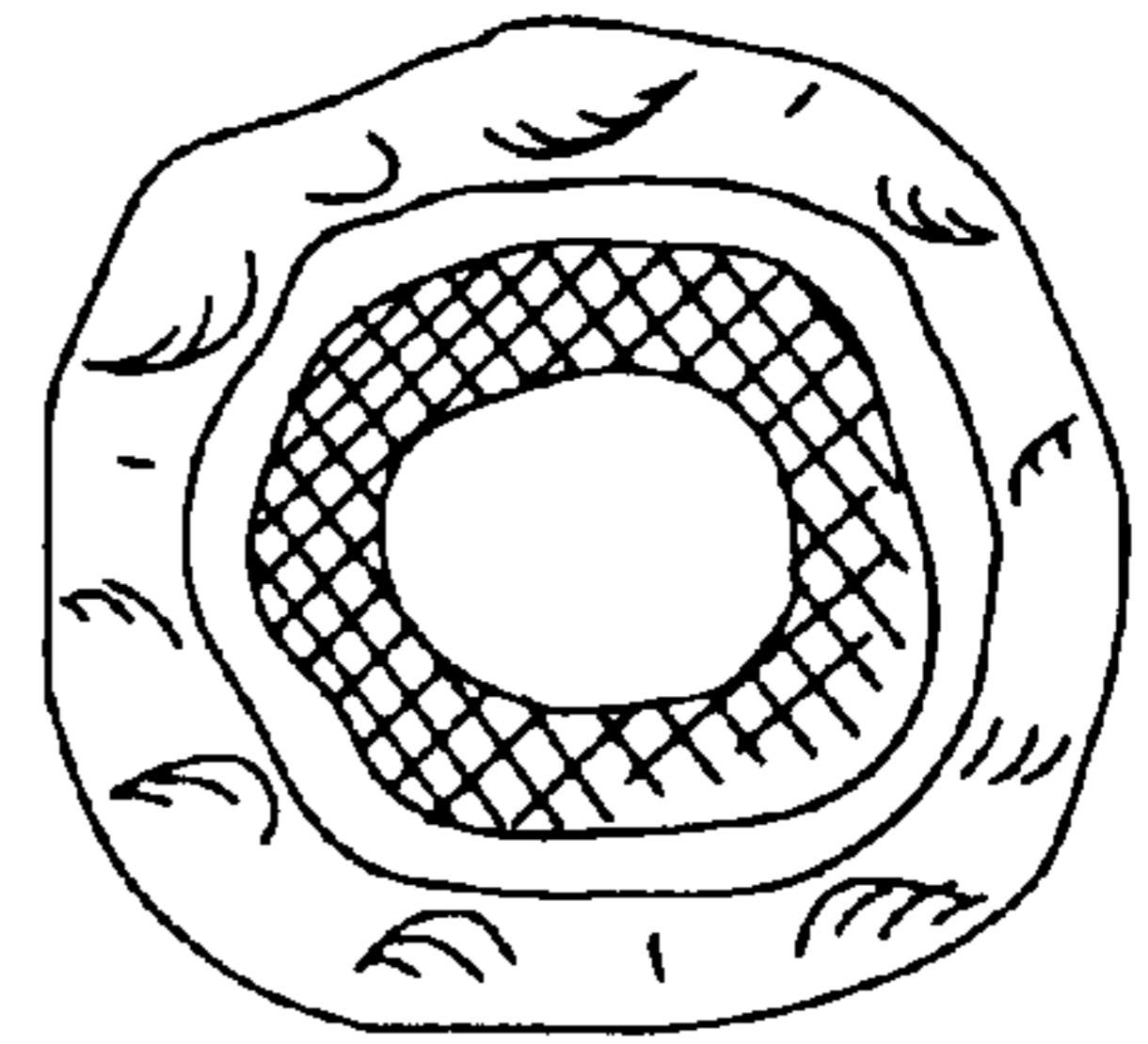


FIG. 4

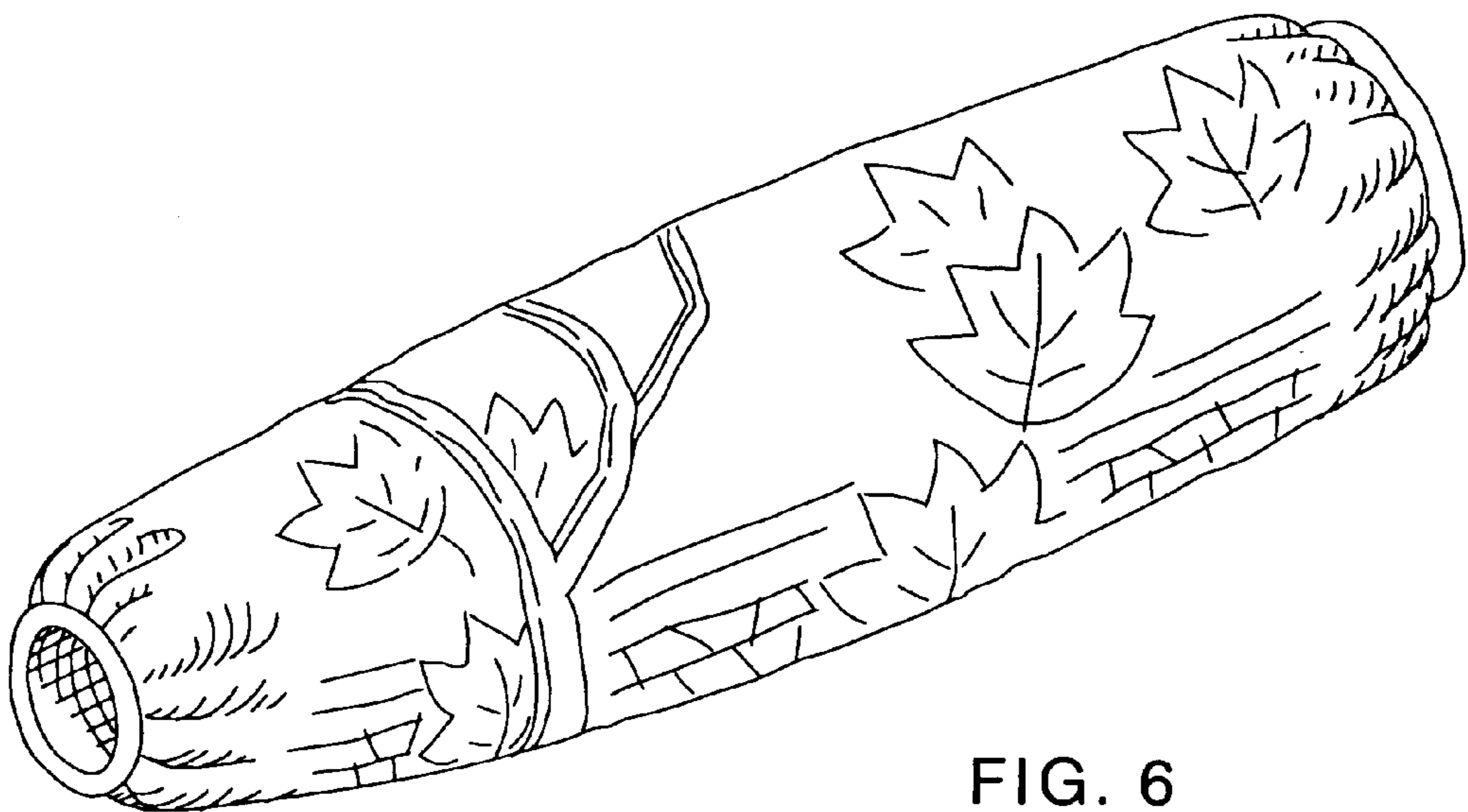


FIG. 6