



US00D417937S

# United States Patent [19] Harris

[11] Patent Number: **Des. 417,937**

[45] Date of Patent: **\*\* Dec. 21, 1999**

[54] **CREEPER**

5,472,219 12/1995 Eckstrum ..... 280/32.6

[75] Inventor: **Roger D. Harris**, Kettering, Ohio

[73] Assignee: **Whiteside Mfg. Co.**, Delaware, Ohio

[\*\*] Term: **14 Years**

[21] Appl. No.: **29/088,337**

[22] Filed: **May 21, 1998**

[51] **LOC (6) Cl.** ..... **12-02**

[52] **U.S. Cl.** ..... **D34/23**

[58] **Field of Search** ..... D34/12, 23; 280/32.6,  
280/32.5, 79.11, 43.24

[56] **References Cited**

**U.S. PATENT DOCUMENTS**

D. 230,971	3/1974	Shanklin	.....	D34/23
D. 299,076	12/1988	Whiteside	.....	D34/23
D. 325,799	4/1992	Chen	.....	D34/23
D. 330,619	10/1992	Gilbert et al.	.....	D34/23
D. 335,733	5/1993	Zimmer	.....	D34/23
D. 351,707	10/1994	Pill	.....	D34/23
D. 371,662	7/1996	Vosbikian et al.	.....	D34/23
D. 384,466	9/1997	Taylor	.....	D34/23
D. 396,920	8/1998	Whiteside et al.	.....	D34/23
5,174,592	12/1992	Pool	.....	280/32.6
5,330,209	7/1994	Pool	.....	280/32.6

**OTHER PUBLICATIONS**

P&B Mfg. Co. "Blue Max" advertisement, 1 page (1990).  
Wilmar Corporation "PT Performance Tool" product catalog, 2 pages (1996).  
Whiteside Catalog advertisement, cover and 4 pages (1993).  
Whiteside Catalog advertisement, cover and 3 pages (1995).

*Primary Examiner*—Kay H. Chin  
*Attorney, Agent, or Firm*—Renner, Kenner, Greive, Bobak, Taylor & Weber

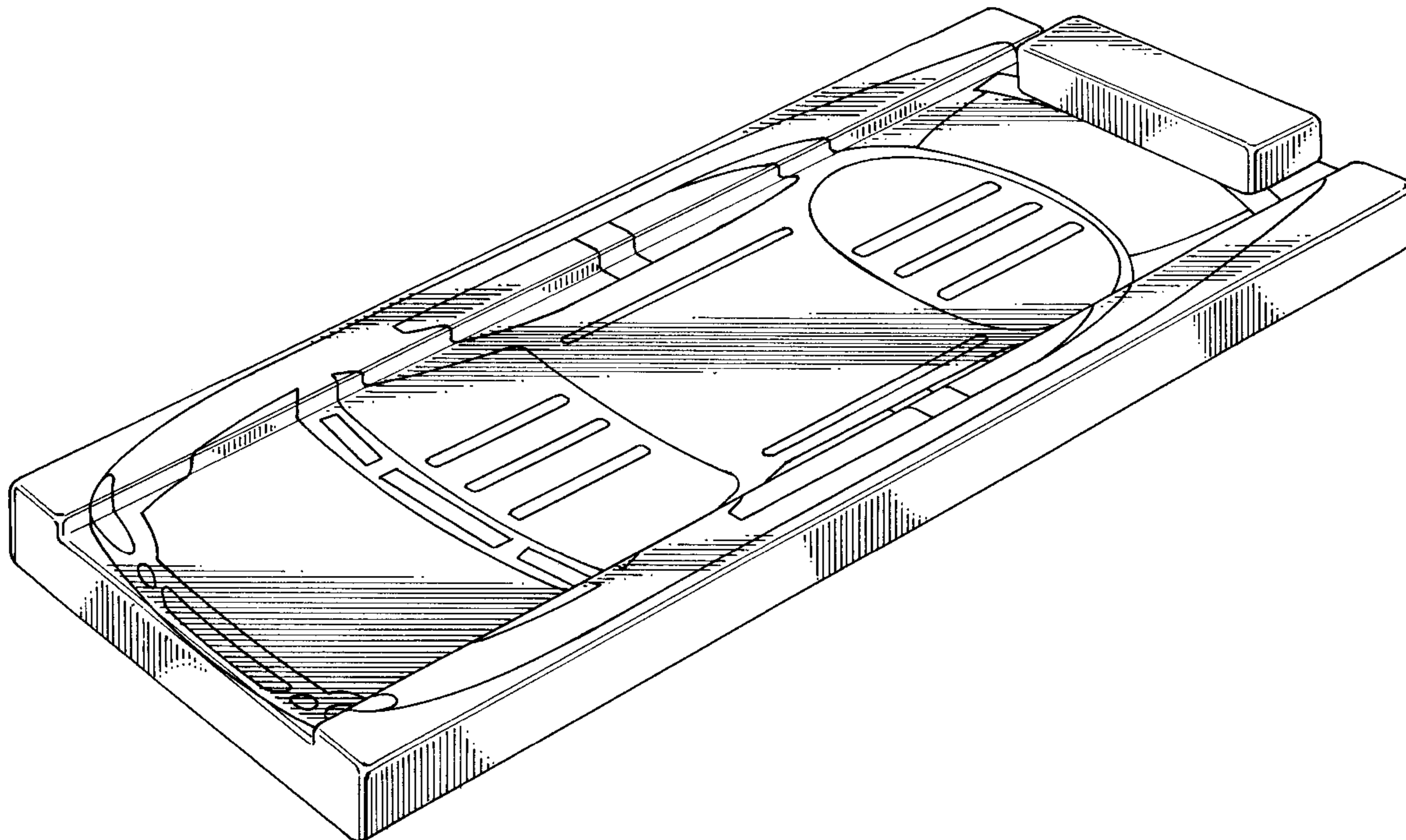
[57] **CLAIM**

The ornamental design for a creeper, as shown and described.

**DESCRIPTION**

FIG. 1 is a top, left side, front elevational view of a creeper showing my new design;  
FIG. 2 is a back elevational view thereof;  
FIG. 3 is a front elevational view thereof;  
FIG. 4 is a right side elevational view thereof, the left side being a mirror image of FIG. 4;  
FIG. 5 is a top plan view thereof; and,  
FIG. 6 is a bottom plan view thereof.

**1 Claim, 4 Drawing Sheets**



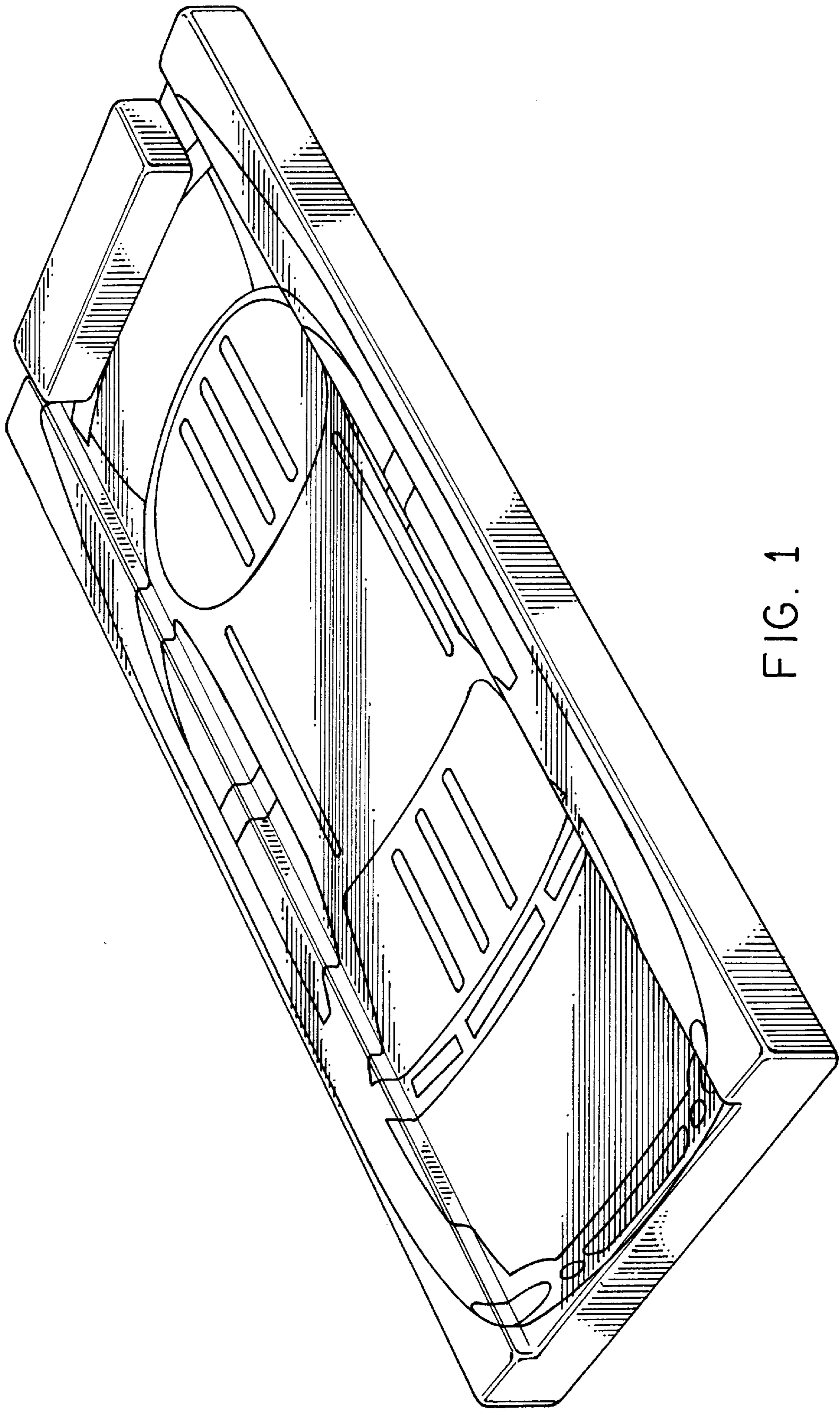


FIG. 1

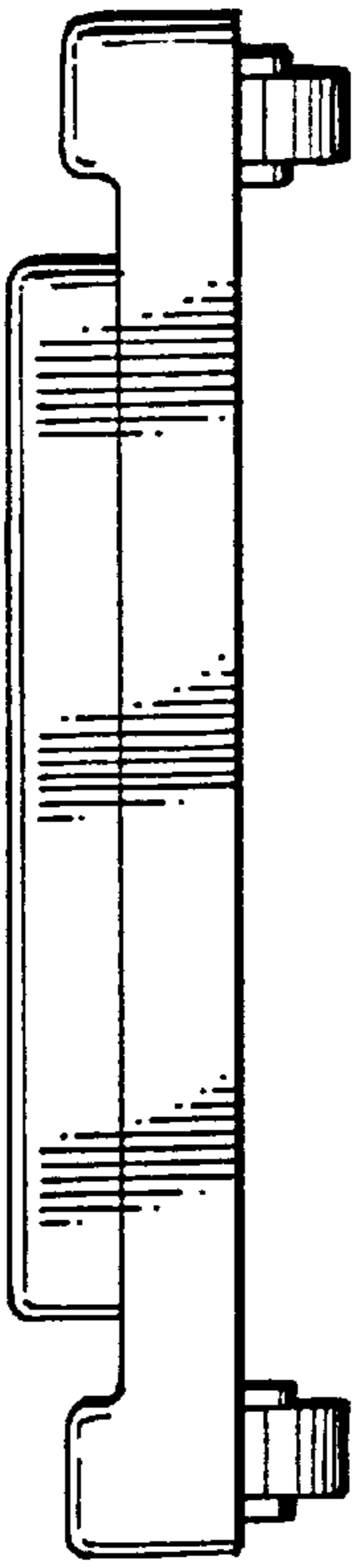


FIG. 2

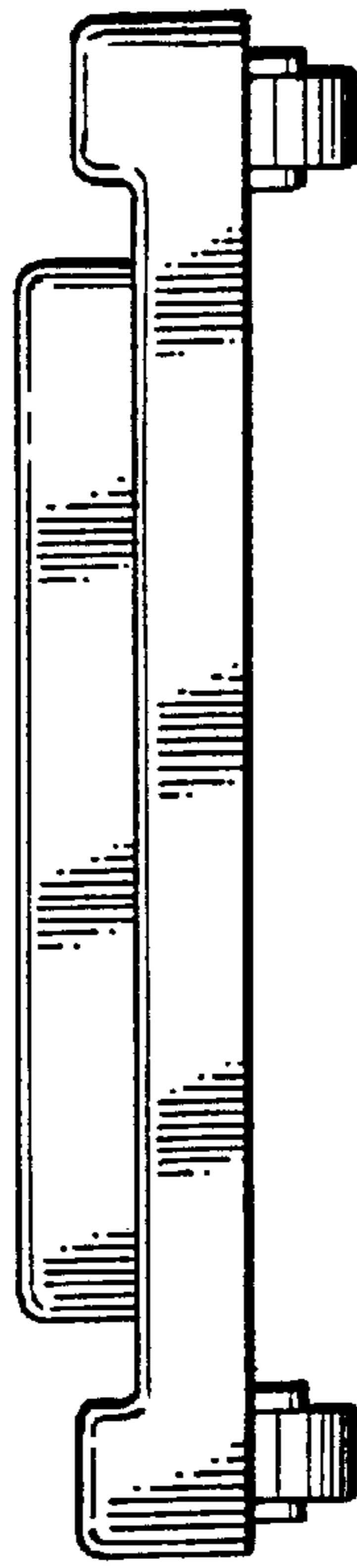


FIG. 3

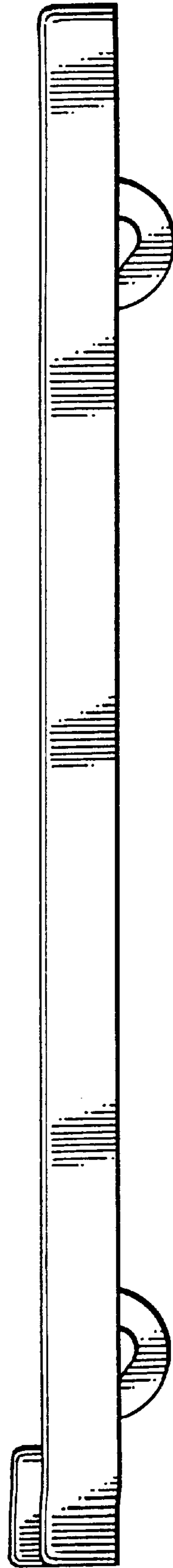


FIG. 4

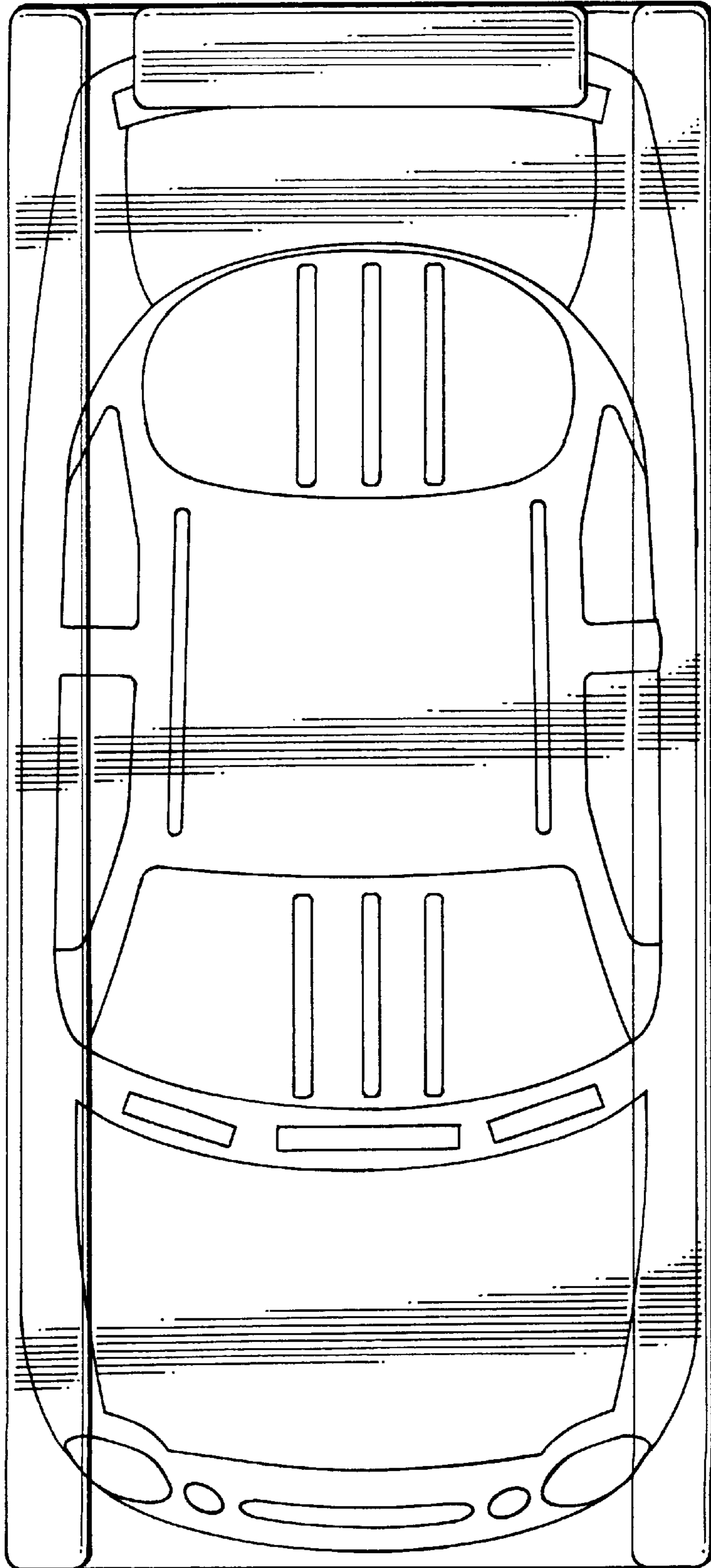


FIG. 5

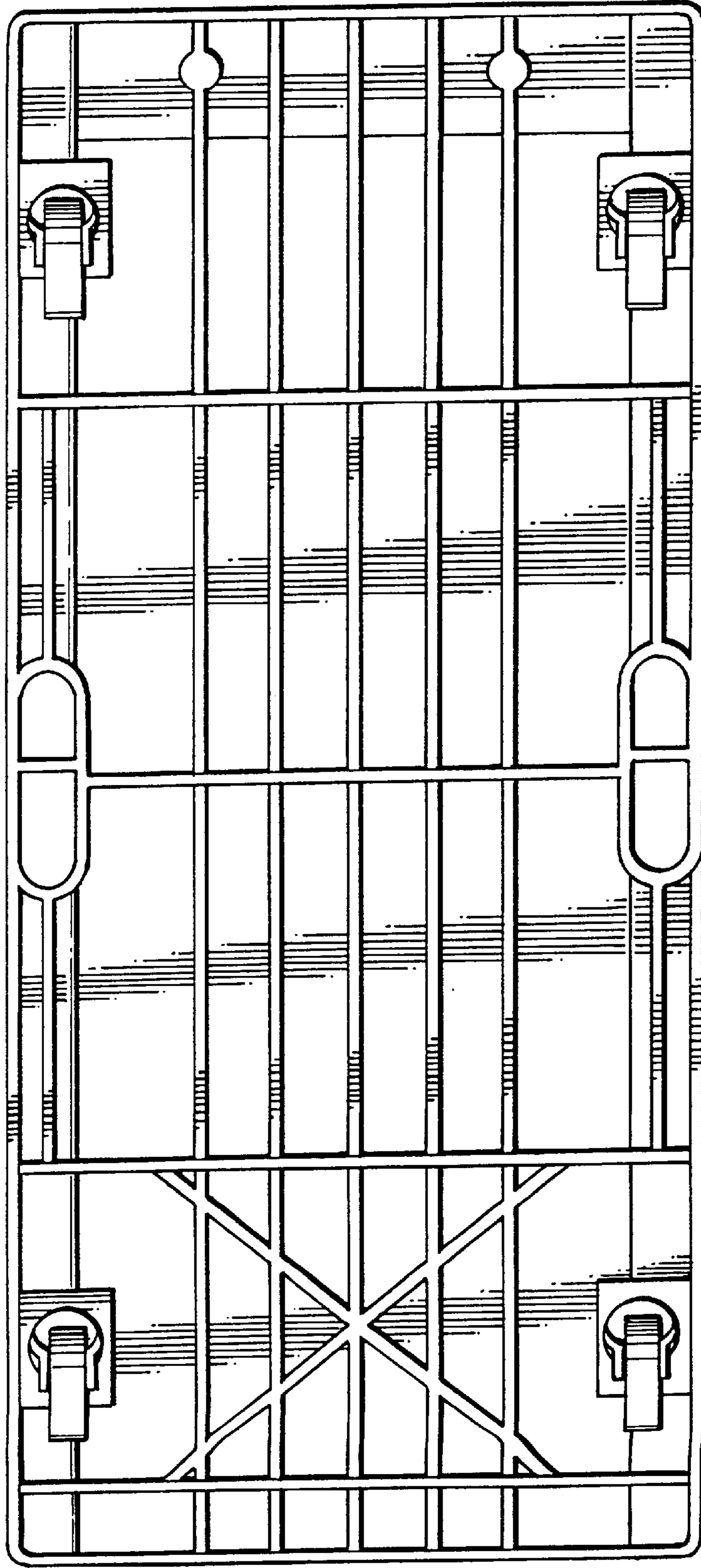


FIG. 6