



US00D417935S

United States Patent [19]
Primeau

[11] **Patent Number: Des. 417,935**

[45] **Date of Patent: ** Dec. 21, 1999**

[54] **DOUBLE CONTAINER BUCKET**
[75] Inventor: **Mario Primeau**, St-Léonard, Canada
[73] Assignee: **Entreprises Hamelin**, Boucherville, Canada
[**] Term: **14 Years**

D. 236,675 9/1975 Golden D32/53
D. 344,379 2/1994 Clark D32/53
D. 345,236 3/1994 Chen D32/53
1,734,352 11/1929 Smith et al. 220/23.6
1,866,074 7/1932 Angelbeck 15/260
5,611,104 3/1997 DeMars 15/264

[21] Appl. No.: **29/076,436**
[22] Filed: **Sep. 9, 1997**

Primary Examiner—Alan P. Douglas
Assistant Examiner—Robin V. Taylor
Attorney, Agent, or Firm—François Martineau

[51] **LOC (6) Cl.** **07-07**
[52] **U.S. Cl.** **D32/53**
[58] **Field of Search** D32/53, 53.1,
D32/54; 15/260, 262, 264; 220/23.6, 500,
904

[57] **CLAIM**

The ornamental design for a double container bucket, as shown.

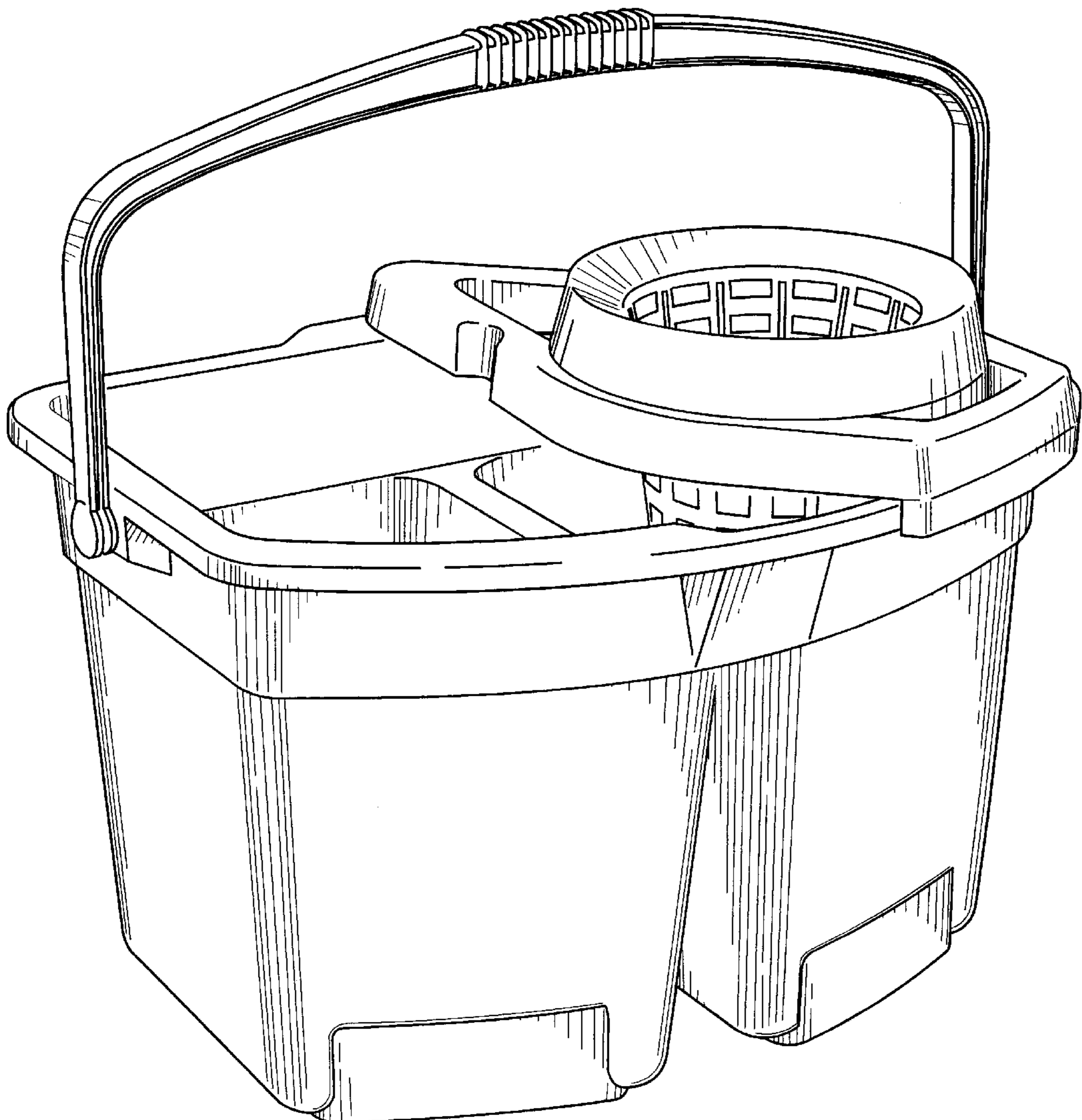
[56] **References Cited**
U.S. PATENT DOCUMENTS

DESCRIPTION

FIG. 1 is a perspective view of a double container bucket according to our new design;
FIG. 2 is front elevational view thereof;
FIG. 3 is a top plan view thereof; and,
FIG. 4 is a side elevational view thereof.

D. 216,277 12/1969 James D32/53
D. 227,148 6/1973 Oas D32/15

1 Claim, 4 Drawing Sheets



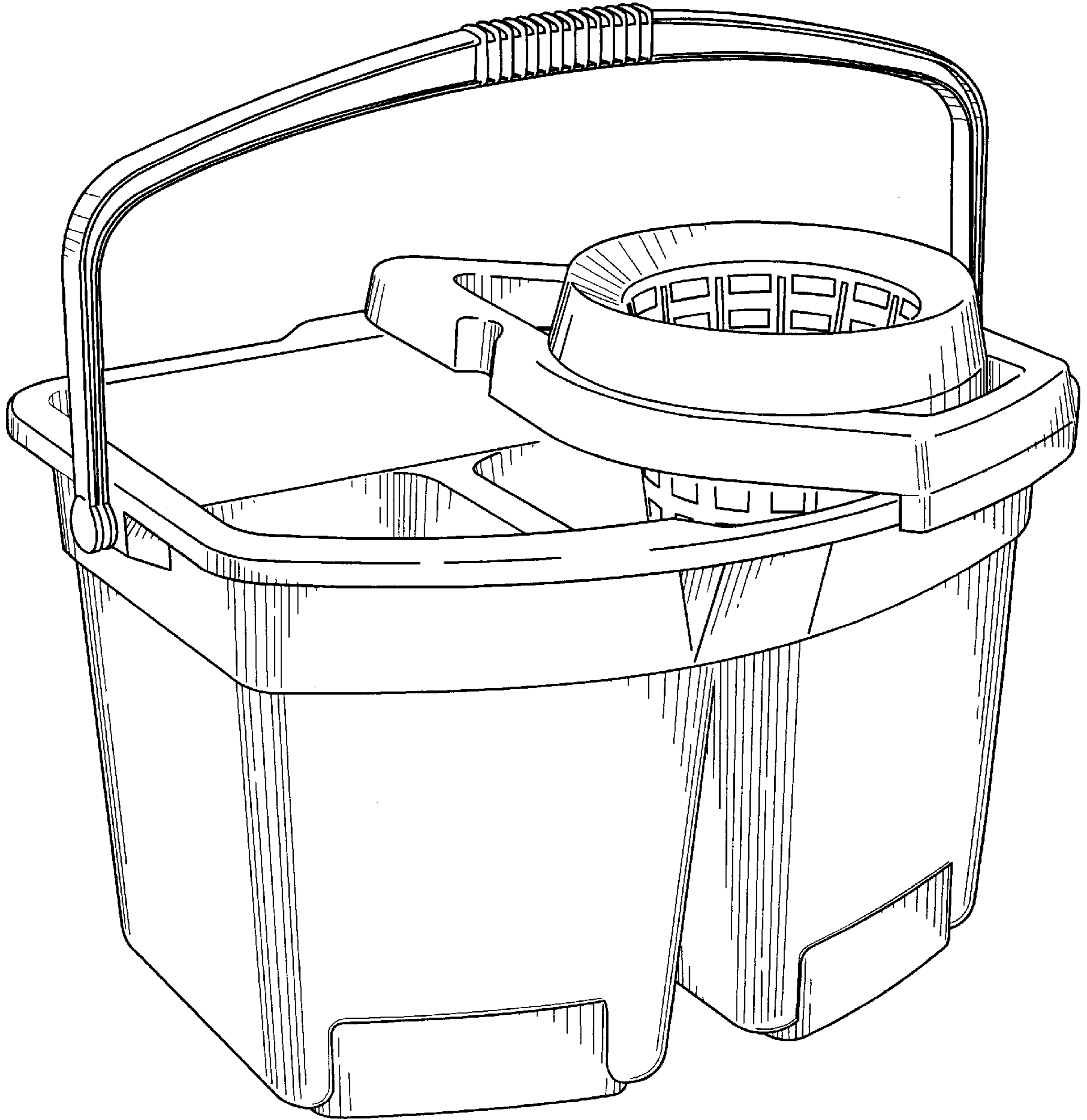


Fig 1

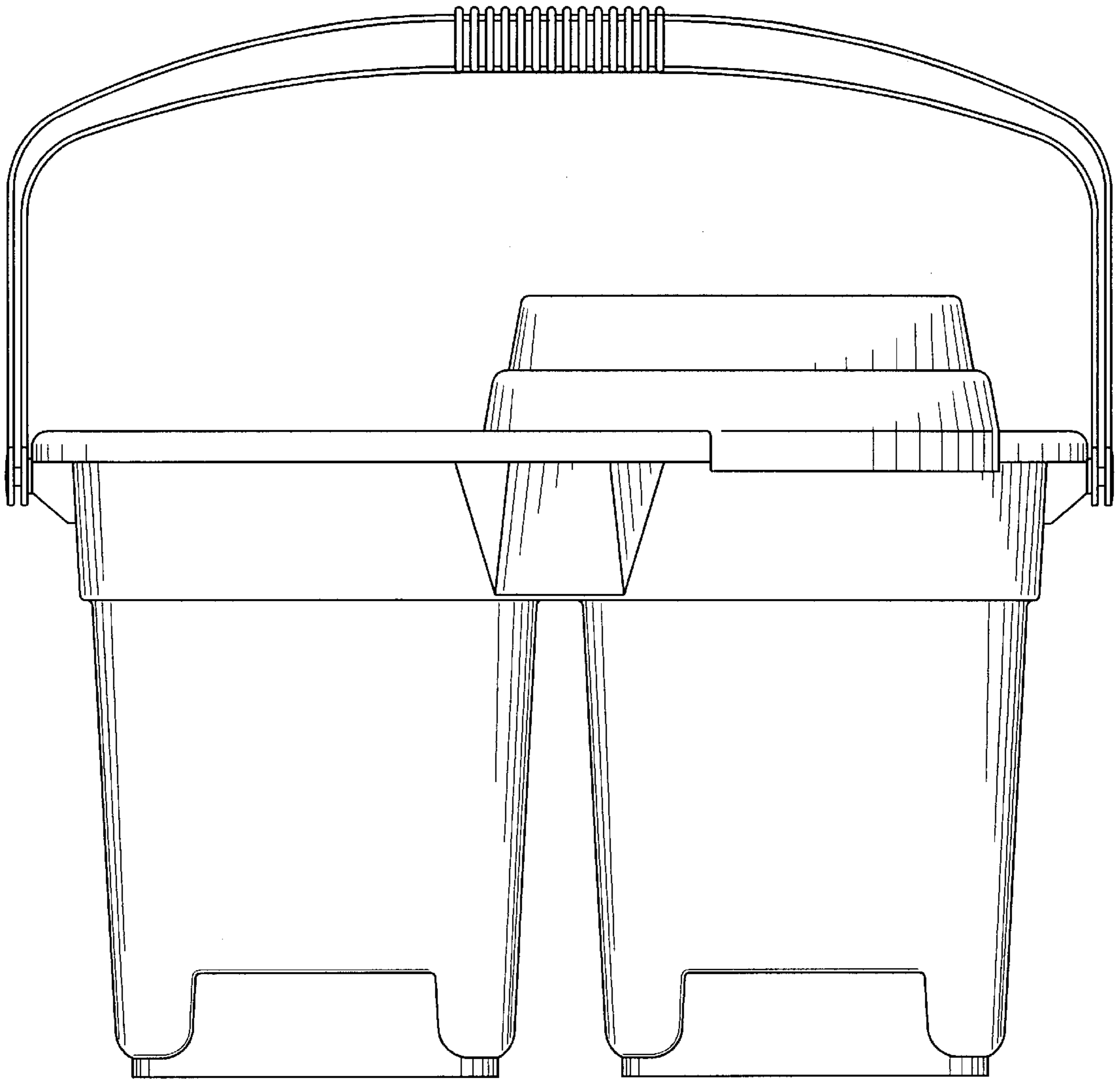


Fig 2

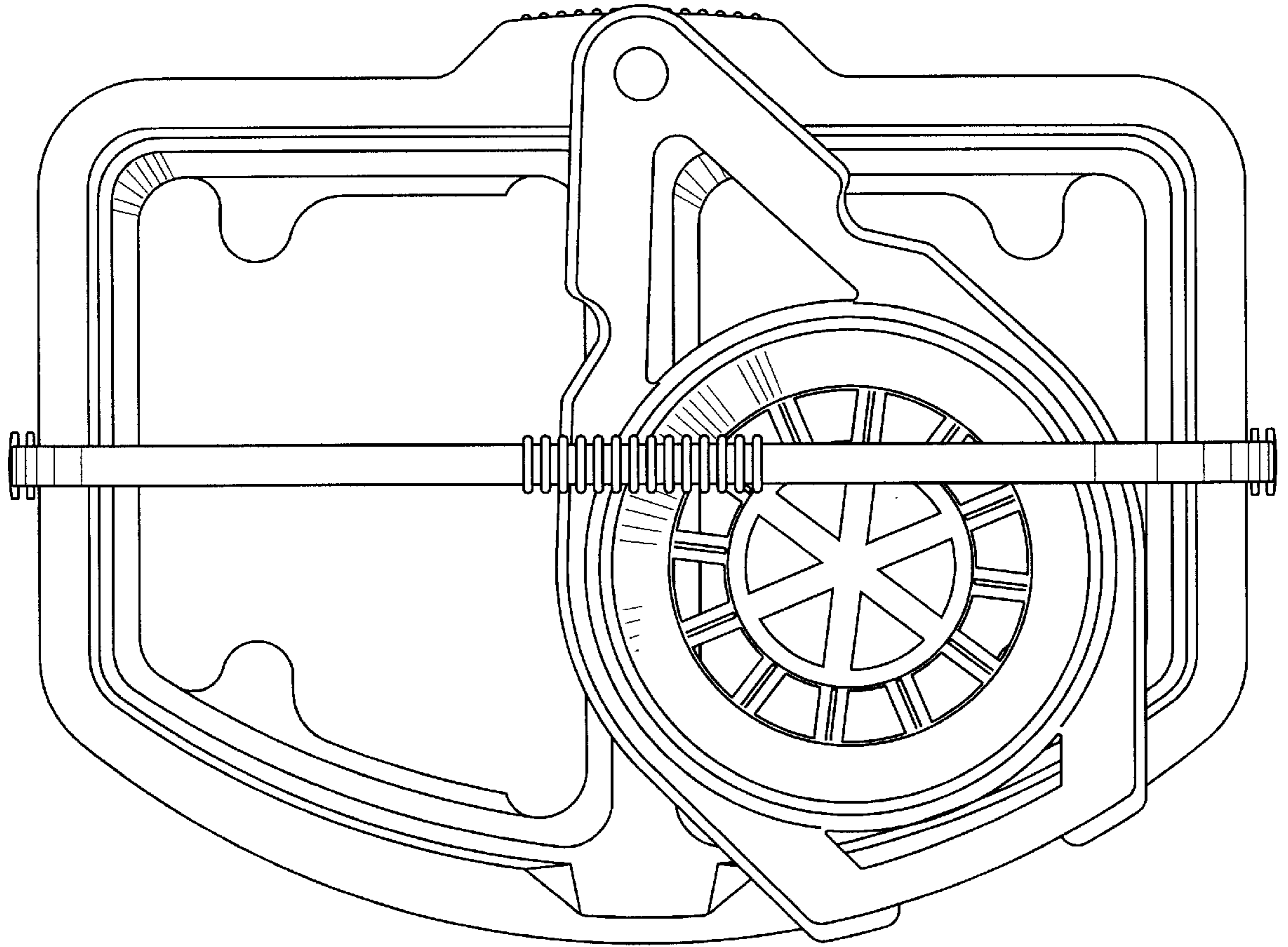


Fig 3

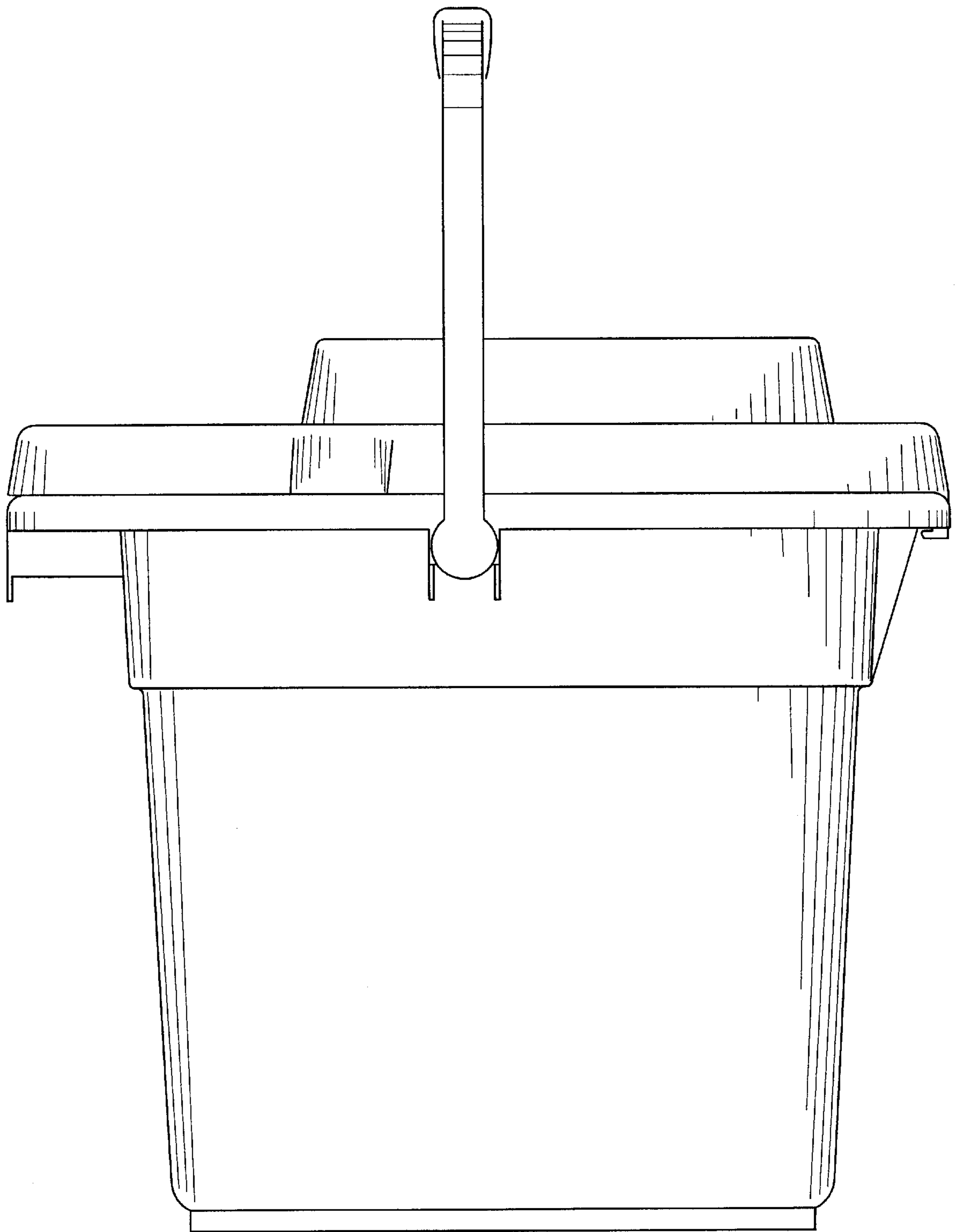


Fig 4