



US00D417934S

United States Patent [19]

Footer et al.

[11] Patent Number: Des. 417,934

[45] Date of Patent: ** Dec. 21, 1999

[54] COMBINED MOP HEAD WITH SQUEEGEE

[75] Inventors: Harold Footer, Newton; Alan D. Ball, Arlington; David G. Honan, Concord, all of Mass.

[73] Assignee: Easy Day Manufacturing Company, Holliston, Mass.

[**] Term: 14 Years

[21] Appl. No.: 29/087,186

[22] Filed: Apr. 28, 1998

[51] LOC (6) Cl. 04-01

[52] U.S. Cl. D32/42; D32/51

[58] Field of Search D32/50, 51, 44, D32/40; 15/115, 116.1, 116.2, 117, 119.1, 119.2, 120.1, 120.2, 121

[56] References Cited

U.S. PATENT DOCUMENTS

D. 295,912	5/1988	Jones et al.	D32/44
D. 302,759	8/1989	Batchelor	D32/44
D. 327,146	6/1992	Miller	D32/42
D. 334,263	3/1993	Torres	D32/44
947,145	1/1910	Ax .	
1,778,121	10/1930	Paull	15/115
2,469,060	5/1949	Vosbikian et al.	15/115
2,534,086	12/1950	Vosbikian et al.	15/245
2,678,458	5/1954	Vosbikian et al.	15/116
2,715,745	8/1955	Jacobsen	15/121
2,741,788	4/1956	Shey	15/105
2,750,613	6/1956	Trindl	15/119.1
3,023,438	3/1962	Trentel	15/119.1
3,631,561	1/1972	Aszkenas	15/250
3,656,202	4/1972	Paton	15/121
3,721,502	3/1973	Ognibene	401/13
3,909,870	10/1975	Leland	15/121
3,968,535	7/1976	Nichols, Jr.	15/105
4,124,915	11/1978	Schlicher	15/105

4,312,093	1/1982	Raab	15/121
4,315,342	2/1982	Ash	15/121
4,381,575	5/1983	Wendt	15/121
4,409,700	10/1983	Sullivan	15/121
4,607,411	8/1986	Lewis, Jr.	15/117
4,748,710	6/1988	Jones	15/119.1
4,785,489	11/1988	VonDoehren	15/111
4,864,675	9/1989	Jones	15/119.1
4,893,370	1/1990	Klotz	15/121
4,910,825	3/1990	Mauer	15/121
5,429,678	7/1995	Fany	134/6
5,469,594	11/1995	Nolte	15/121
5,515,570	5/1996	Muscroft	15/220
5,539,949	7/1996	Stanton	15/121
5,575,032	11/1996	Cernuska	15/119
5,615,449	4/1997	Sepke	15/322

OTHER PUBLICATIONS

Mechanical Sponge Mop Squeezing Device, M.K. Project, Product Literature, Jan. 25, 1997.

Primary Examiner—Susan J. Lucas

Assistant Examiner—Cynthia Ramirez

Attorney, Agent, or Firm—Wolf, Greenfield & Sacks, P.C.

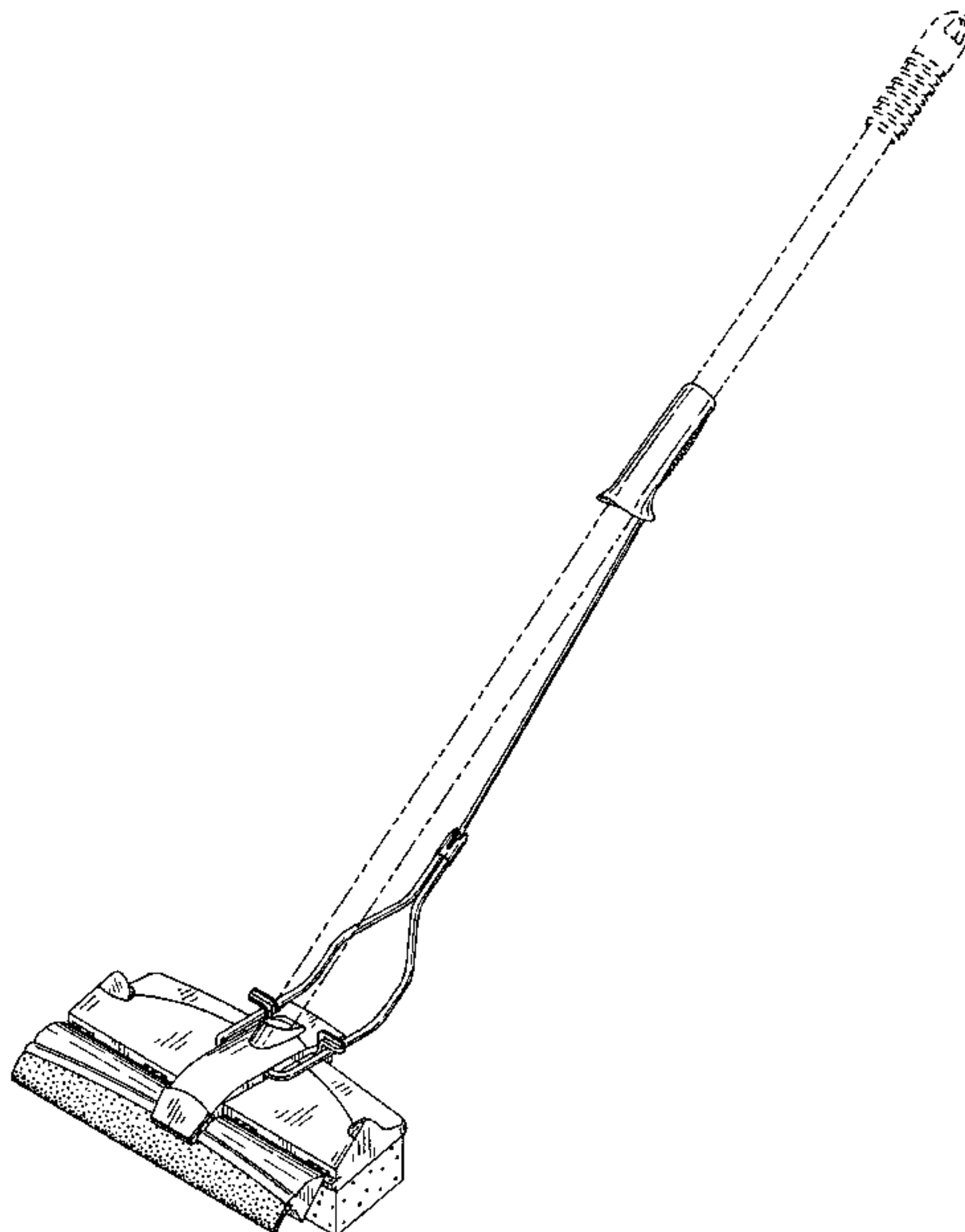
[57] CLAIM

The ornamental design for a combined mop head with squeegee, as shown and described.

DESCRIPTION

FIG. 1 is side, top perspective view of the mop head; FIG. 2 is a left side view thereof, the right side view being a mirror image of the left side view; FIG. 3 is a top view thereof; FIG. 4 is a front view thereof; FIG. 5 is a rear view thereof; and, FIG. 6 is bottom view thereof. The broken line showing of the handle and the hand grip in all the figures is for illustrative purposes only and forms no part of the claimed design.

1 Claim, 6 Drawing Sheets



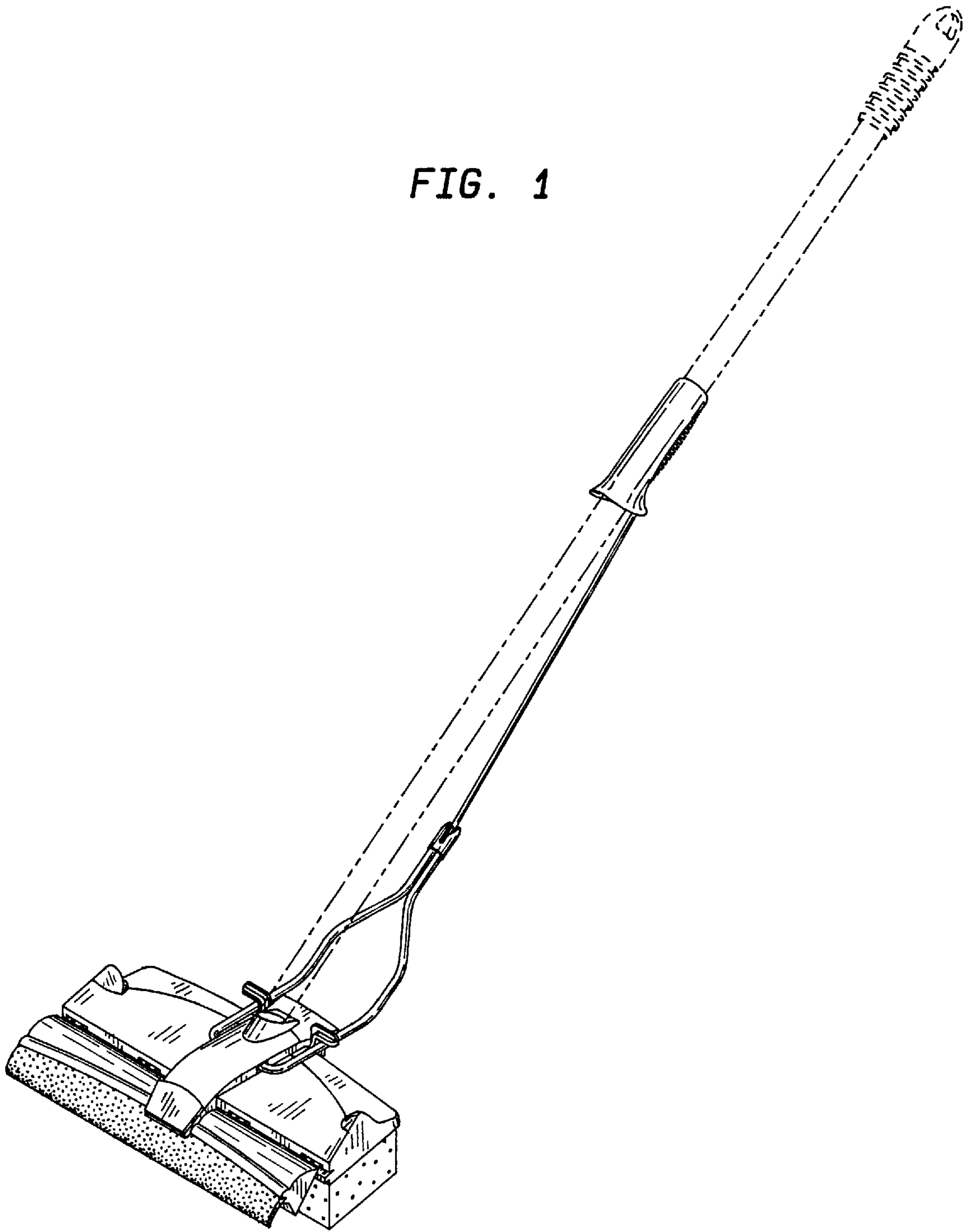


FIG. 1

FIG. 2

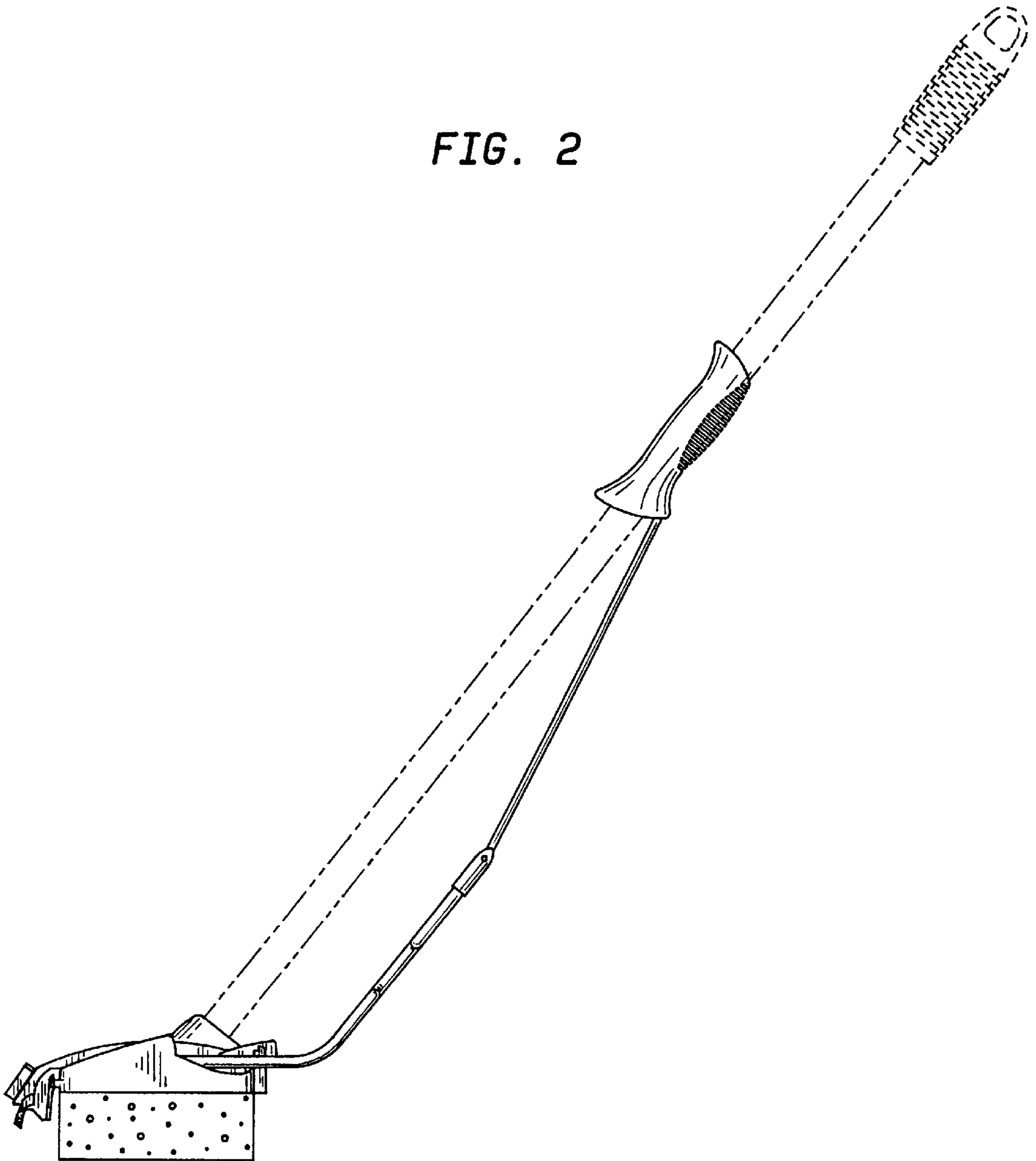


FIG. 3

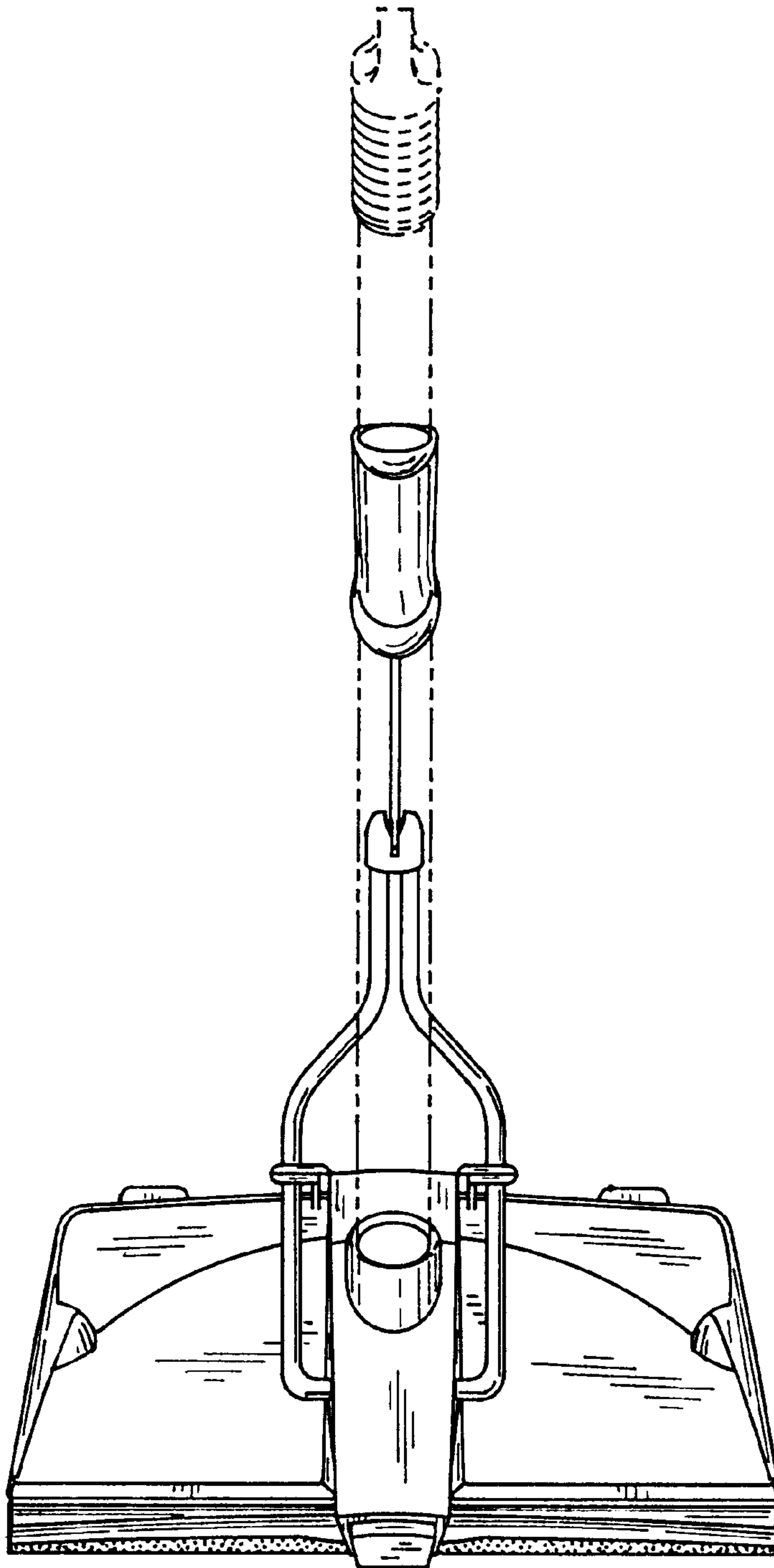


FIG. 4

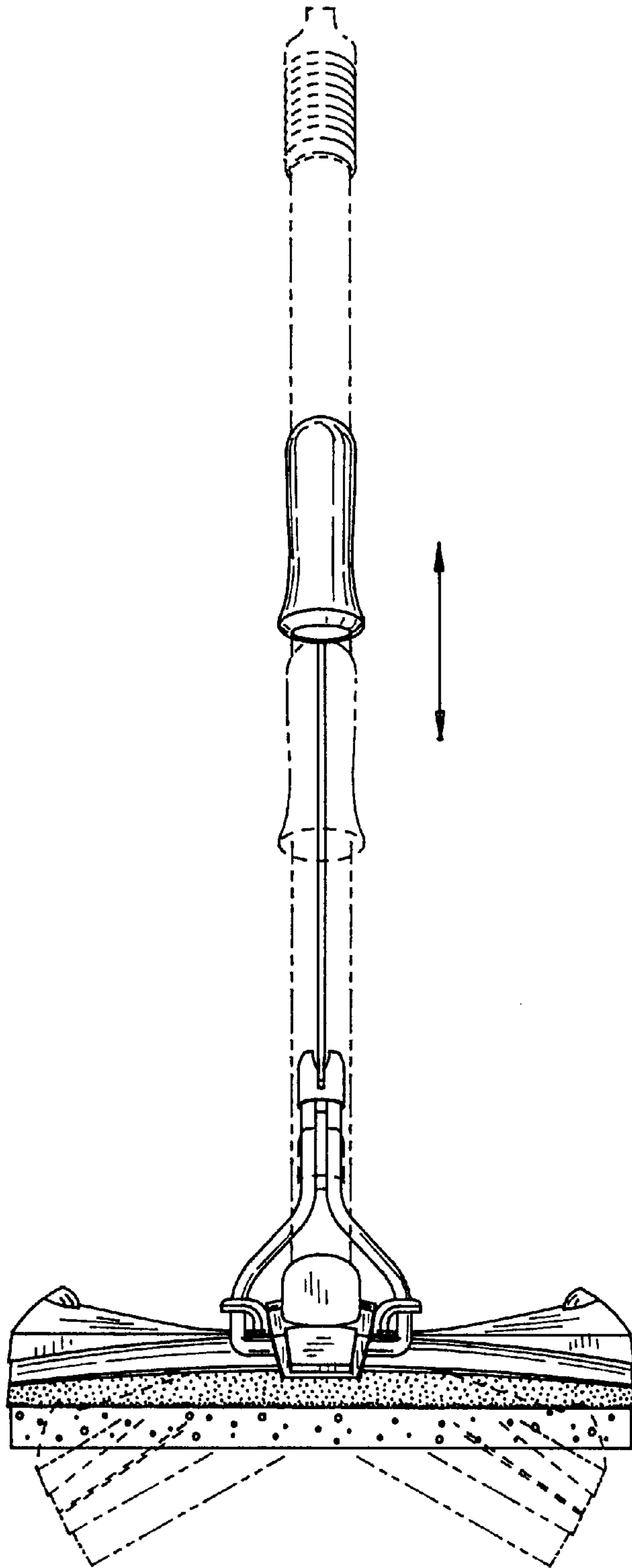


FIG. 5

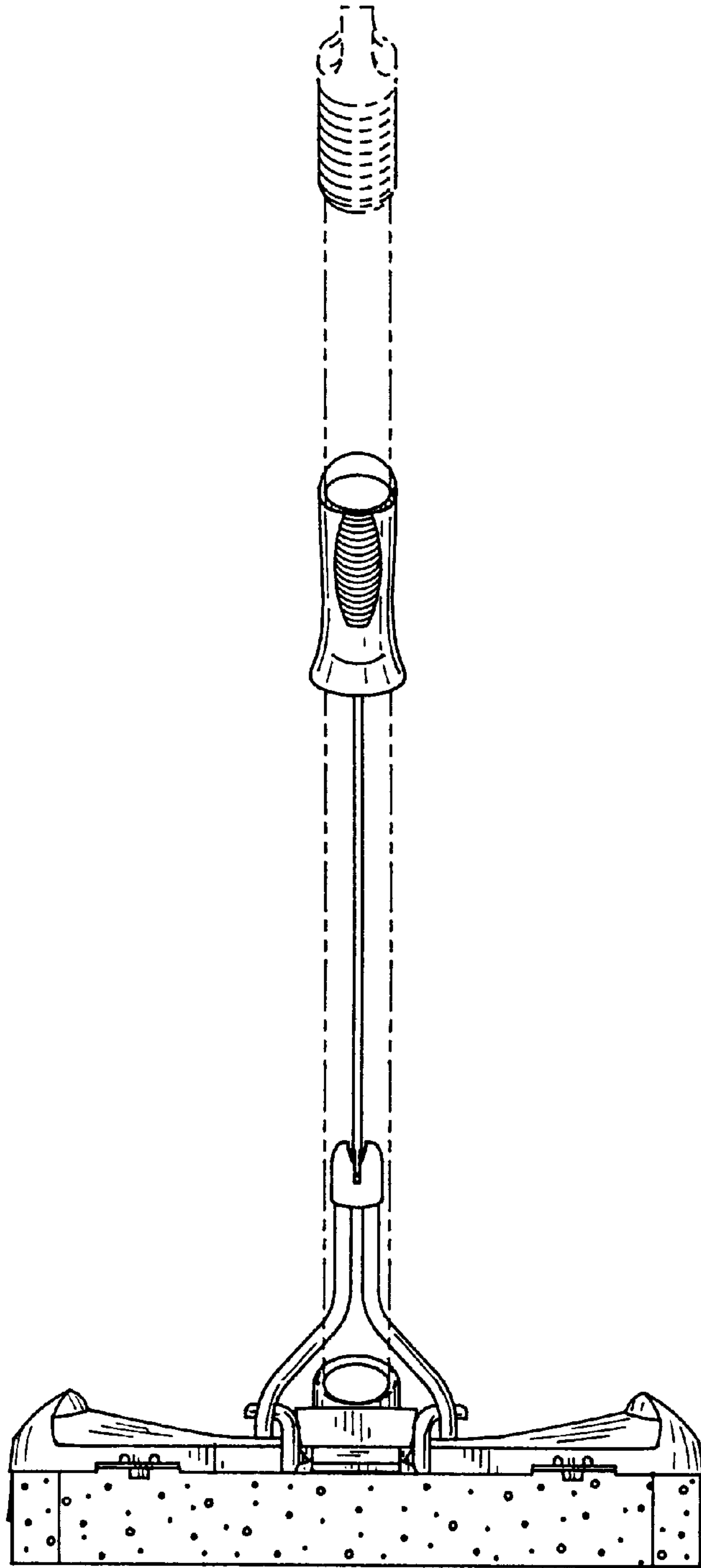


FIG. 6

