



US00D417925S

# United States Patent [19]

Meck et al.

[11] Patent Number: **Des. 417,925**

[45] Date of Patent: **\*\* Dec. 21, 1999**

[54] **OUTDOOR LANTERN**

[75] Inventors: **Leslie A. Meck**, Fleetwood; **Rockwood T. Roberts, III**, Shillington, both of Pa.

[73] Assignee: **Baldwin Hardware Corporation**, Reading, Pa.

[\*\*] Term: **14 Years**

[21] Appl. No.: **29/095,802**

[22] Filed: **Oct. 30, 1998**

[51] **LOC (6) Cl.** ..... **26-05**

[52] **U.S. Cl.** ..... **D26/87**

[58] **Field of Search** ..... D26/72, 85, 88, D26/89, 92, 68, 69, 70; 362/147, 431, 432, 363, 367

### [56] **References Cited**

#### U.S. PATENT DOCUMENTS

- D. 318,930 8/1991 Choi ..... D26/87
- D. 354,150 1/1995 Porter ..... D26/87 X

#### OTHER PUBLICATIONS

Homecoming Troy Lighting Lantern Collection City of Industry, California pp. 23, 24, 20, 28, 34, 60 Prior to Filing Date.

Progress Lighting Spartanburg, South Carolina pp. 188, 161, 164, 168, 185, 184, 186, 196, 198 Prior to Filing Date.

American Lantern Company Newport, Arkansas pp. 48, 22, 45, 47, 43, 61, 62 Prior to Filing Date.

Sea Gull Lighting Products, Inc. Riverside, New Jersey pp. 14, 20, 21, 17, 23 1993.

Hinkley Lighting, Inc. Cleveland, Ohio pp. 88, 94 1990.

Dinico Products, Inc. Hackensack, New Jersey pp. 31, 47 Prior to Filing Date.

Bright lighting catalog, p. 75, wall lamp # 3004H, Group 2900, ceiling lamp box, Jan. 1995.

Home Lighting and Accessories, p. 48, wall lantern # 6280-05, Jun. 1996.

*Primary Examiner*—Susan J. Lucas

*Attorney, Agent, or Firm*—Myron B. Kapustij; Lloyd D. Doigan

### [57] **CLAIM**

The ornamental design for an outdoor lantern, as shown and described.

### **DESCRIPTION**

FIG. 1 is a front perspective view of an outdoor lantern showing our new design;

FIG. 2 is a front elevational view thereof;

FIG. 3 is a right side elevational view thereof, the left side being a mirror image;

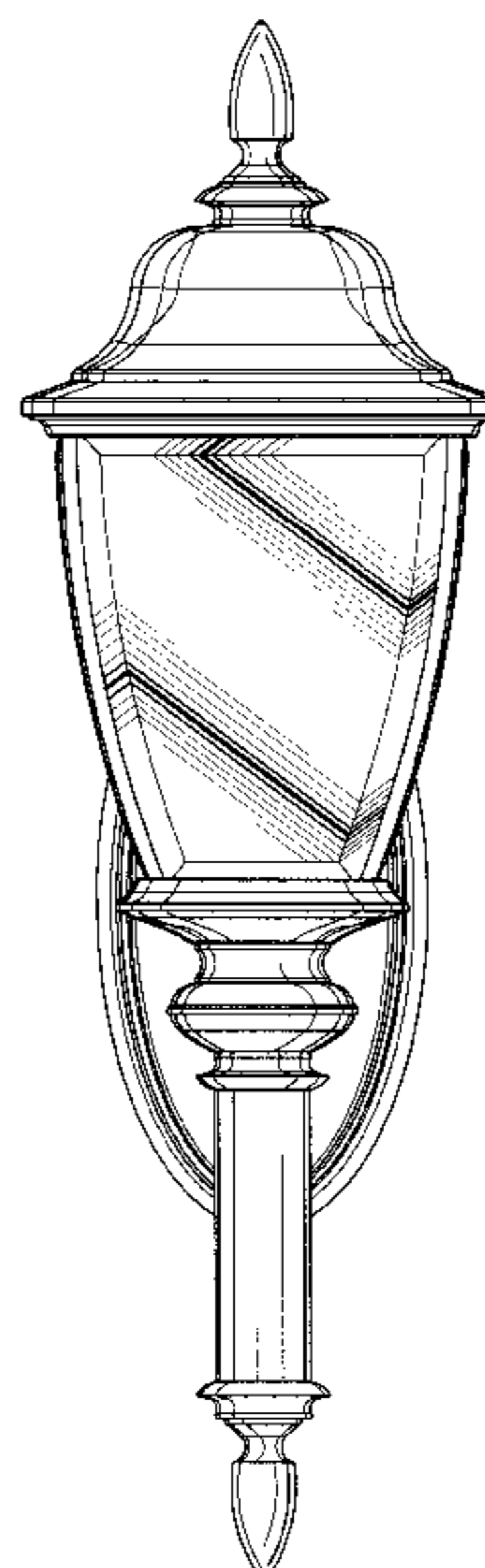
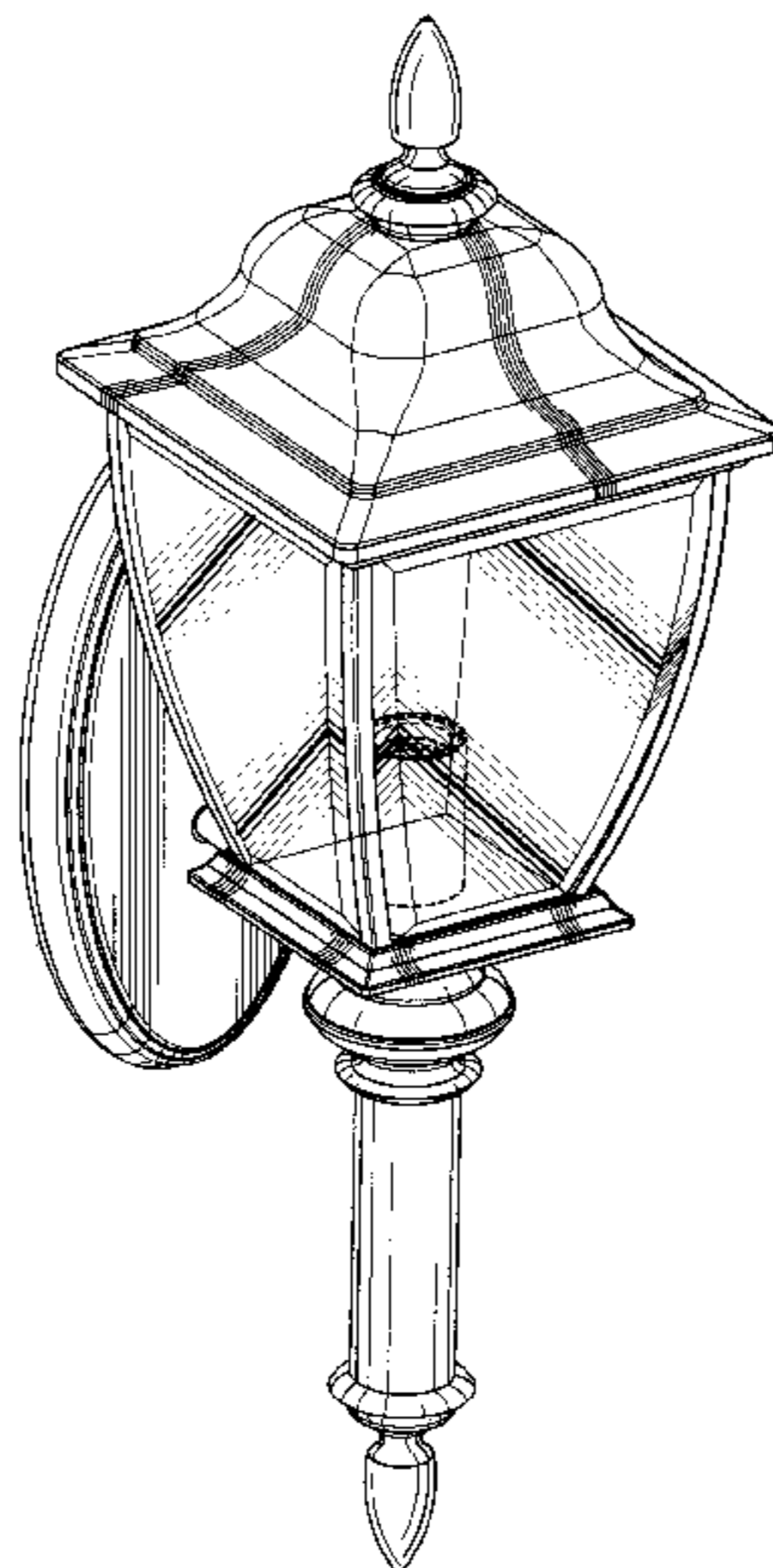
FIG. 4 is a top plan view thereof;

FIG. 5 is a bottom plan view thereof; and,

FIG. 6 is a rear elevational view thereof.

The broken line showing of the light bulb socket in FIG. 1 is for purposes of illustration only and forms no part of the claimed design.

**1 Claim, 3 Drawing Sheets**



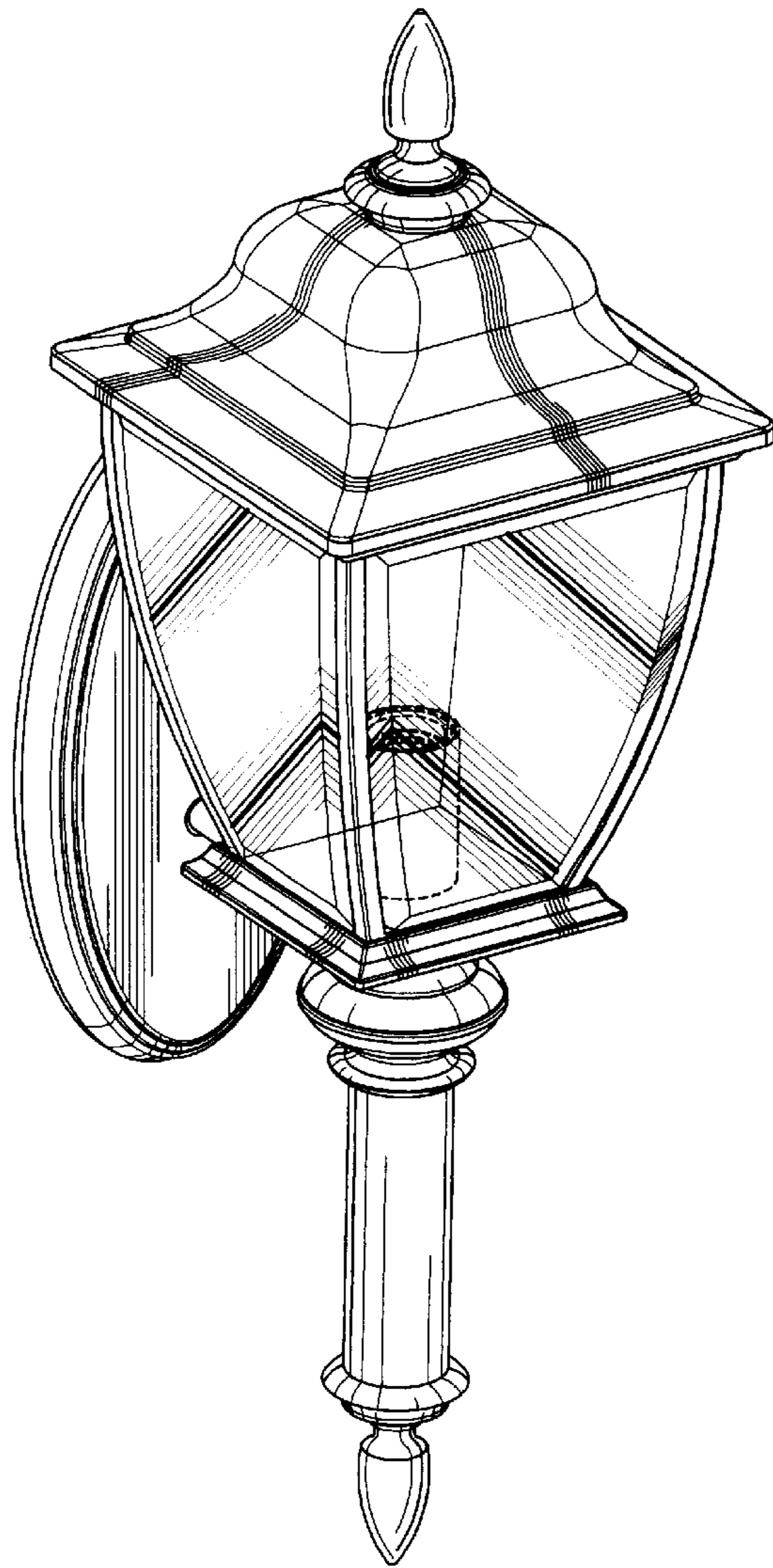


Fig-1

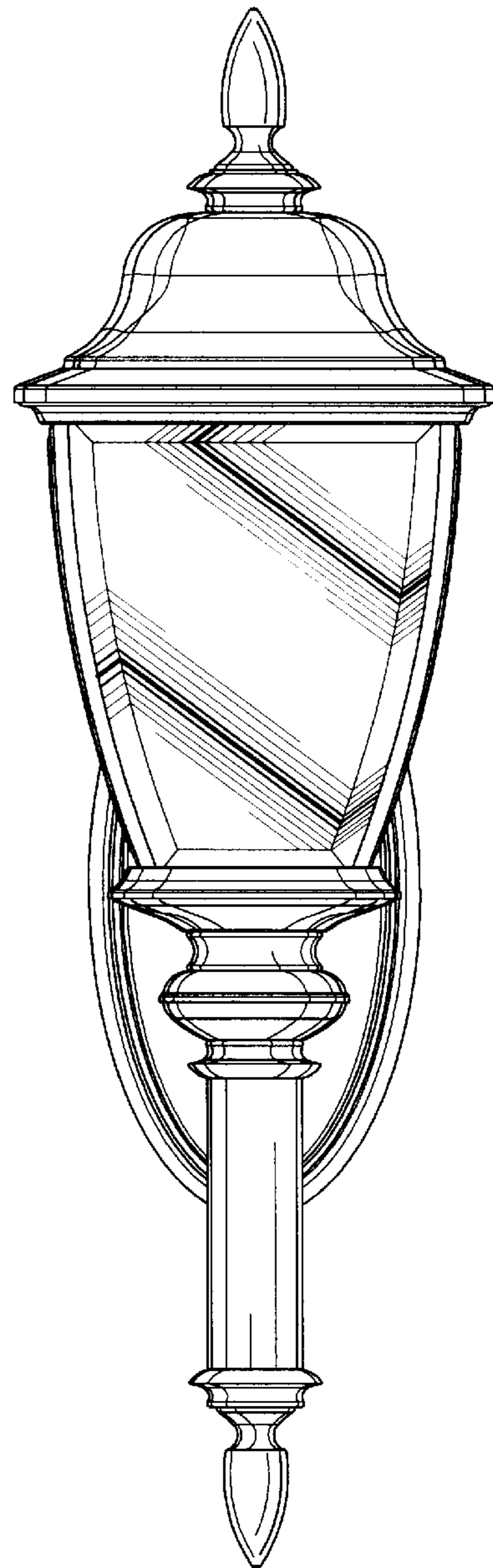


Fig-2

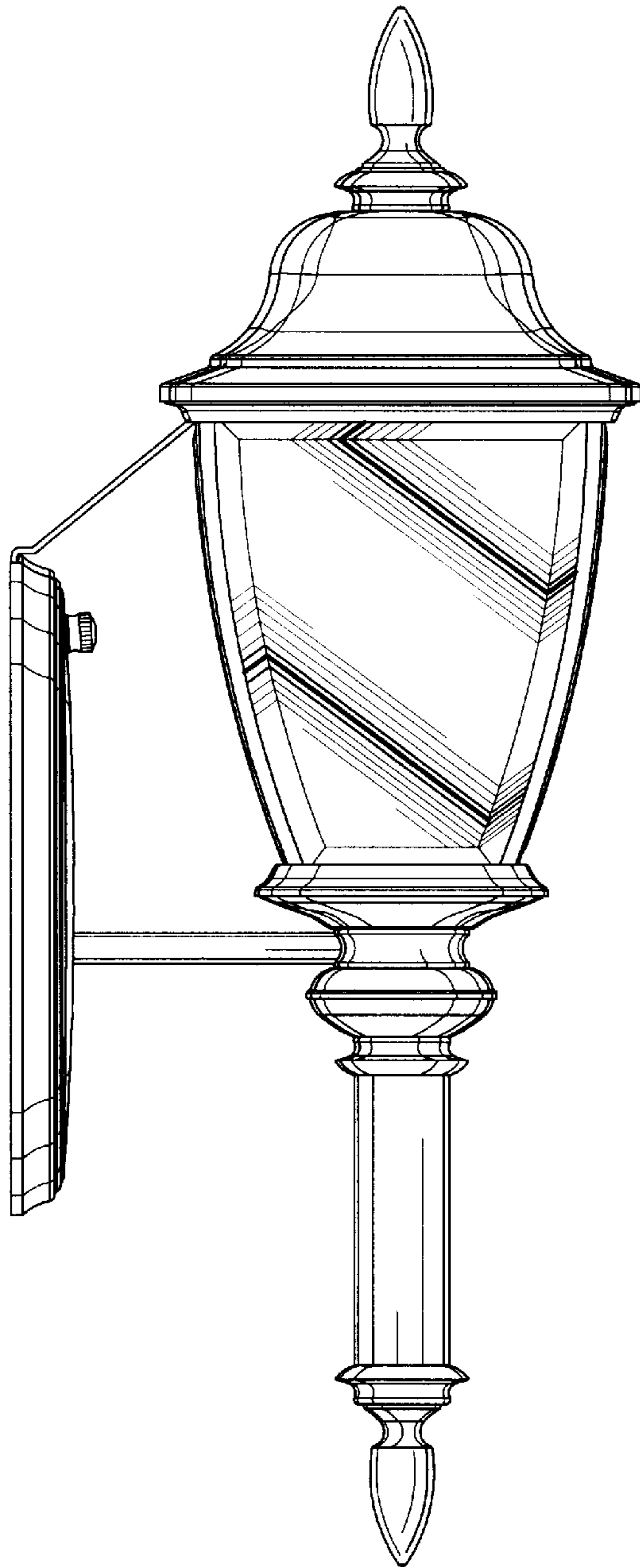


Fig-3

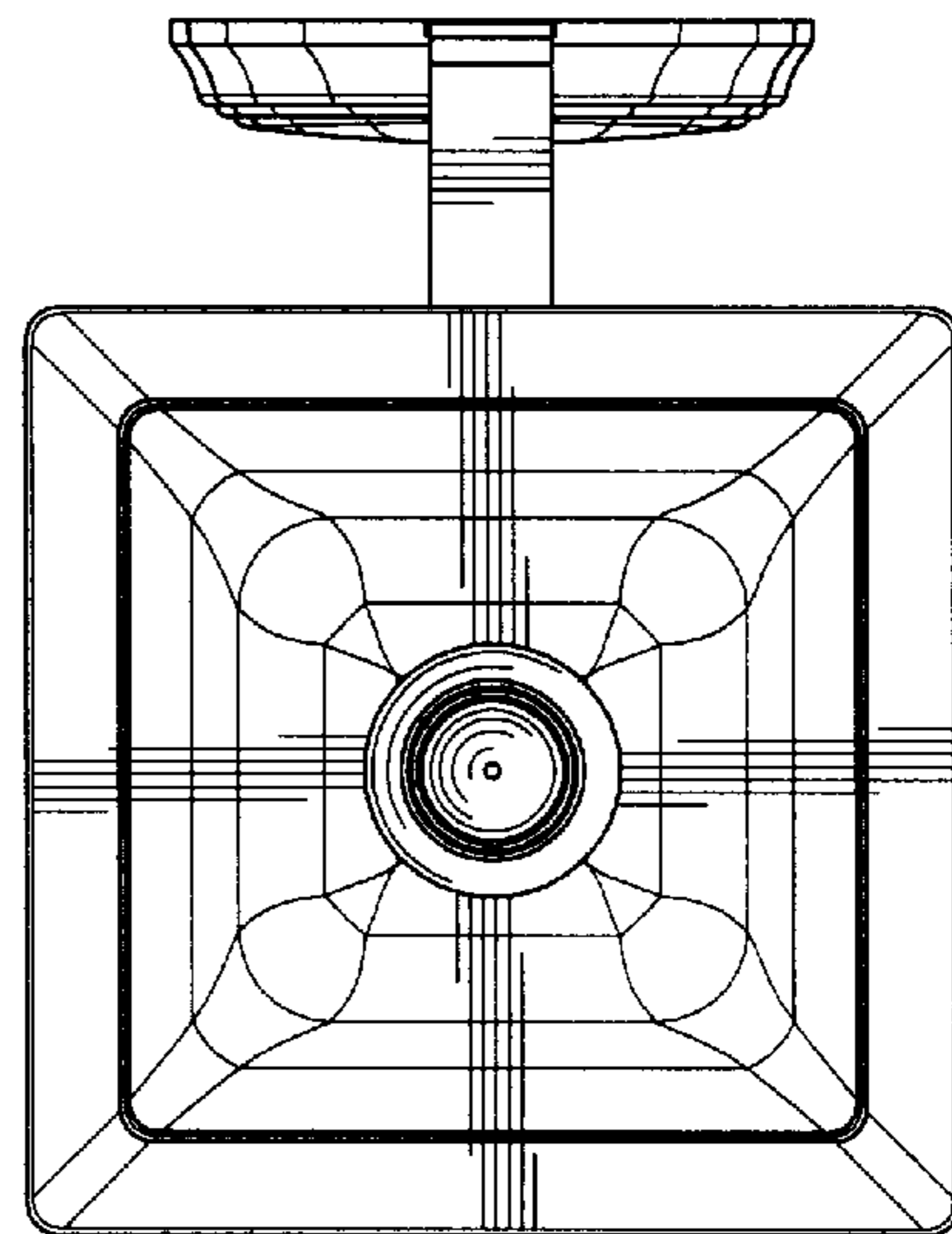


Fig-4



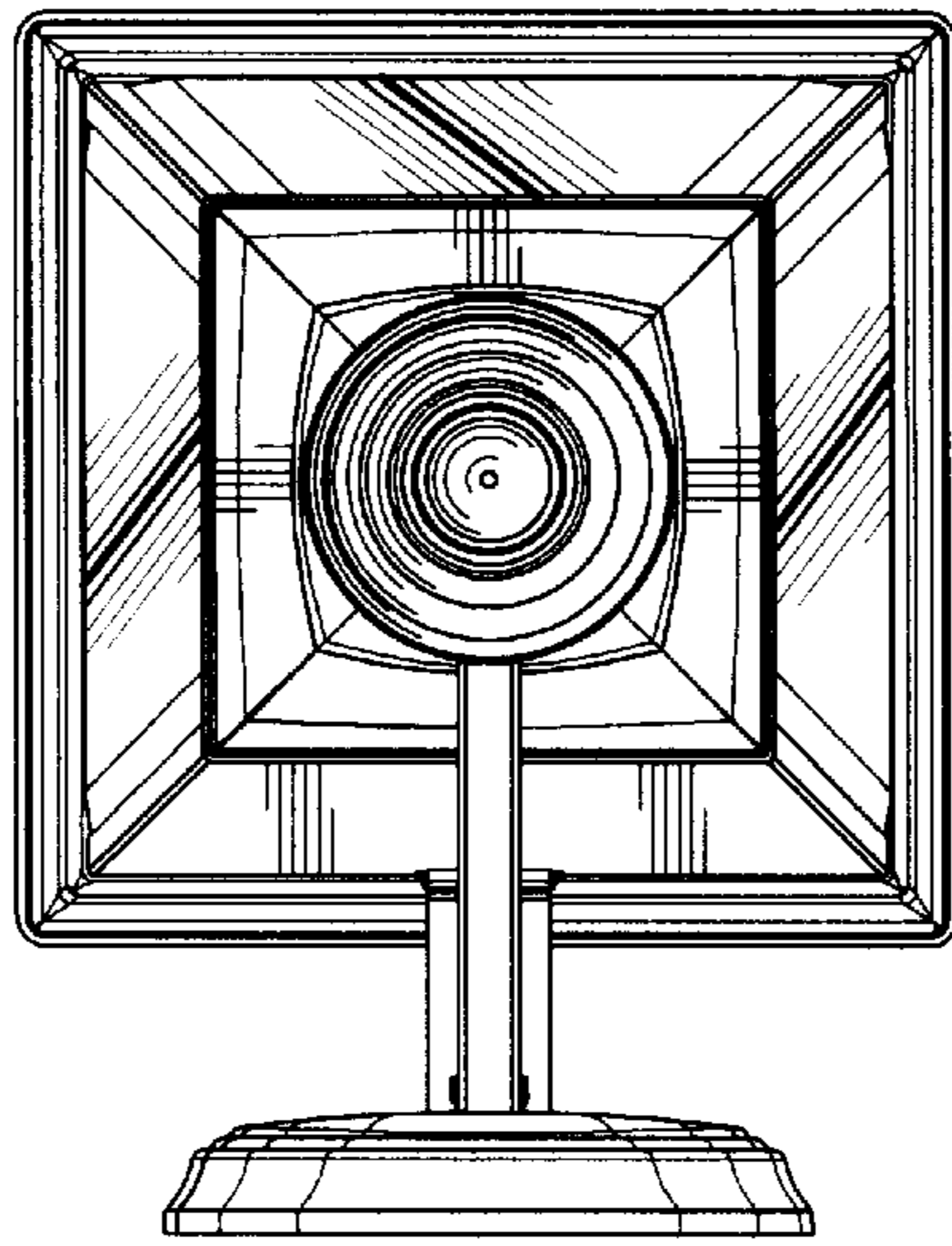


Fig-6

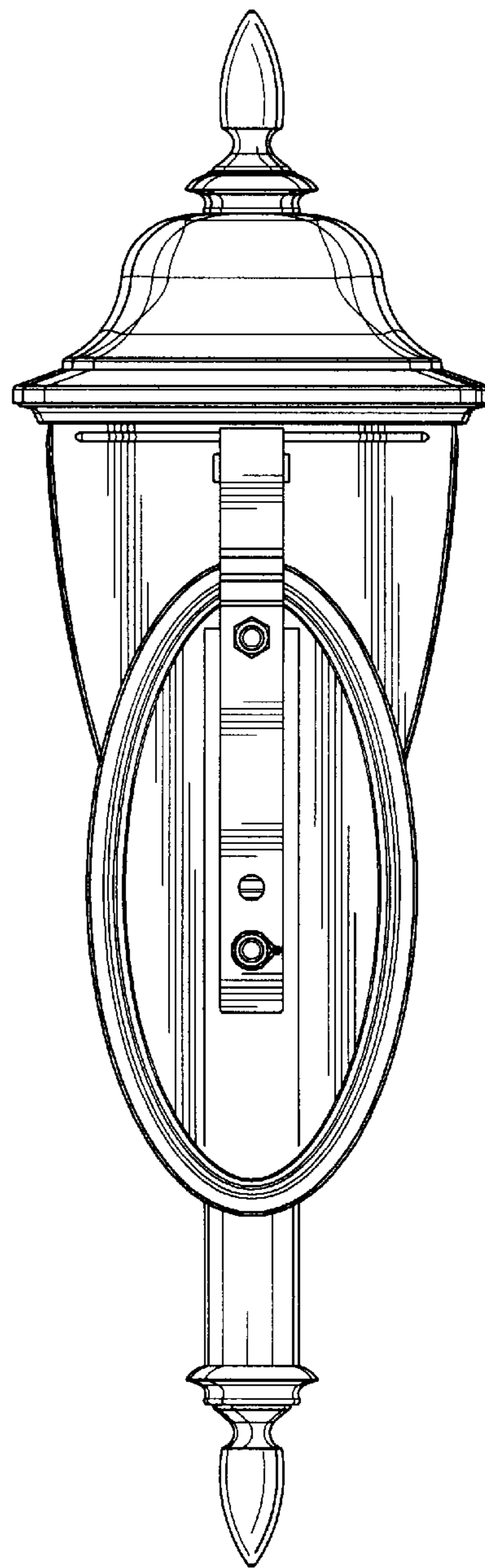


Fig-5