



US00D417917S

United States Patent [19] Broudy

[11] **Patent Number: Des. 417,917**

[45] **Date of Patent: ** Dec. 21, 1999**

[54] **SERVICE STATION CANOPY**

[75] Inventor: **Charles E. Broudy**, Philadelphia, Pa.

[73] Assignee: **Petro-Canada**, Canada

[**] Term: **14 Years**

[21] Appl. No.: **29/074,223**

[22] Filed: **Jul. 30, 1997**

Related U.S. Application Data

[62] Division of application No. 29/038,639, May 10, 1995, Pat. No. Des. 391,646.

[51] **LOC (6) Cl.** **25-02**

[52] **U.S. Cl.** **D25/56; D25/34**

[58] **Field of Search** D25/1, 4, 16, 33,
D25/34, 56; 52/36.1, 73, 88, 89; 135/87,
908

[56] References Cited

U.S. PATENT DOCUMENTS

- D. 106,270 10/1937 Aldrich et al. .
- D. 108,535 2/1938 Cheney .
- D. 109,031 1/1938 Aldrich et al. .
- D. 110,138 6/1938 Aldrich et al. .
- D. 148,928 3/1948 Hardesty .
- D. 301,169 5/1989 Bass .

OTHER PUBLICATIONS

Color Photographs of BP Fuel Station Canopy taken one year prior to May 1995.

Primary Examiner—Louis S. Zarfes
Assistant Examiner—Monica A. Weingart
Attorney, Agent, or Firm—McDermott, Will & Emery

[57] CLAIM

The ornamental design for a service station canopy, as shown and described.

DESCRIPTION

FIG. 1 is a perspective view of a first embodiment of service station canopy in accordance with the present design; FIG. 2 is a front view of the service station canopy of FIG. 1;

FIG. 3 is a top view of the service station canopy of FIG. 1; FIG. 4 is a side view of the service station canopy of FIG. 1;

FIG. 5 is a rear view of the service station canopy of FIG. 1;

FIG. 6 is a perspective view of a second embodiment of a service station canopy in accordance with the present design in which the peripheral edge of the canopy is ornamented in red;

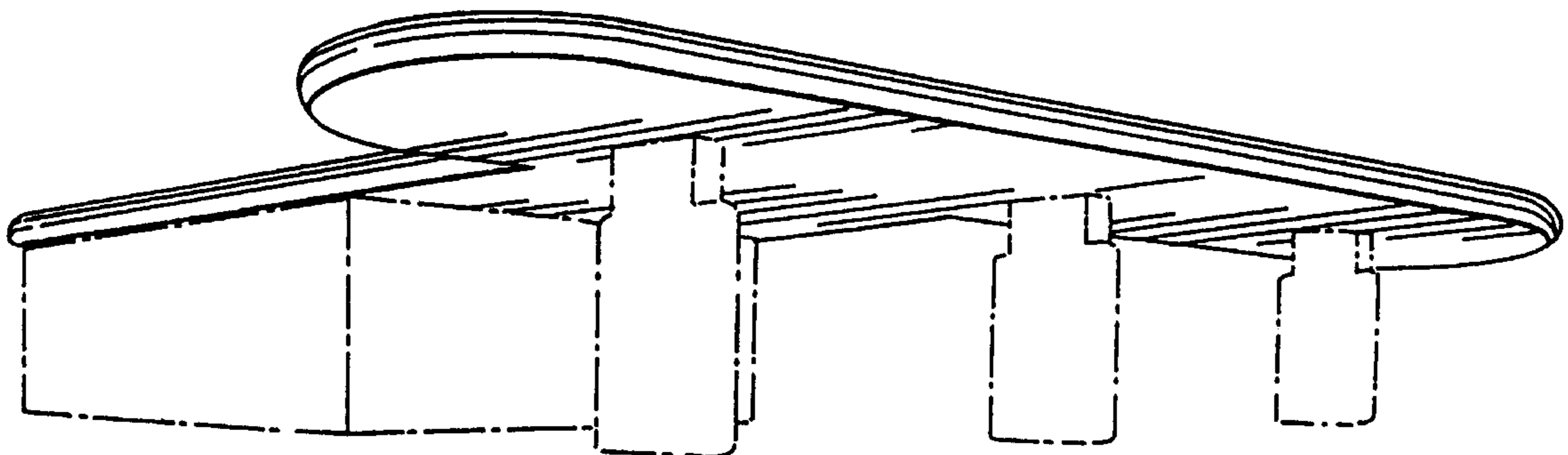
FIG. 7 is a front view of the service station canopy of FIG. 6;

FIG. 8 is a top view of the service station canopy of FIG. 6; FIG. 9 is a side view of the service station canopy of FIG. 6; and,

FIG. 10 is a back view of the service station canopy of FIG. 6.

The dotted lines showing the fuel pumps and support structures are for environmental purposes only and form no part of the claimed design.

1 Claim, 6 Drawing Sheets



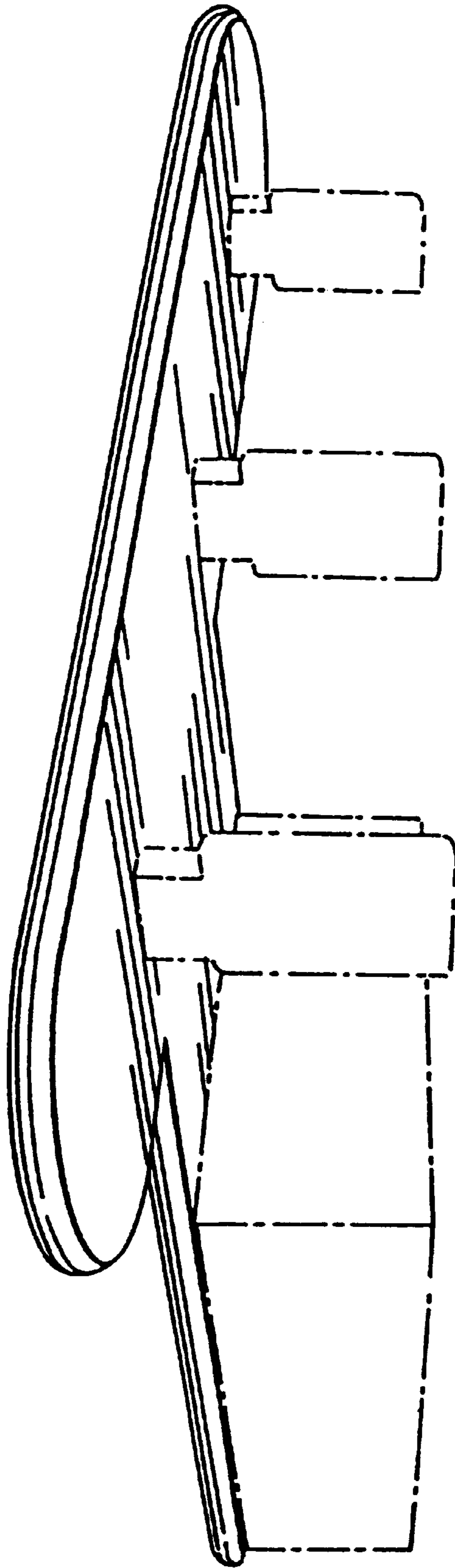


FIG.1

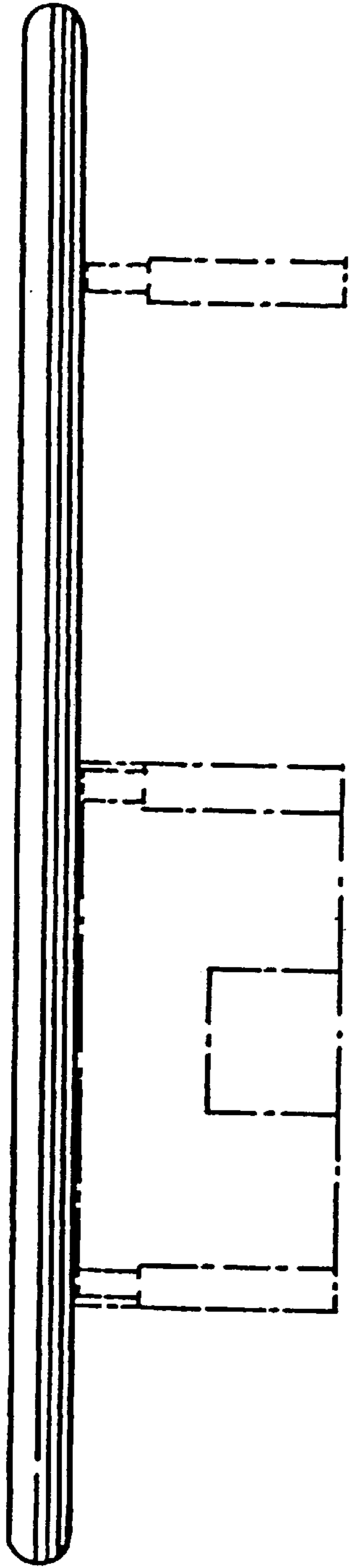


FIG. 2

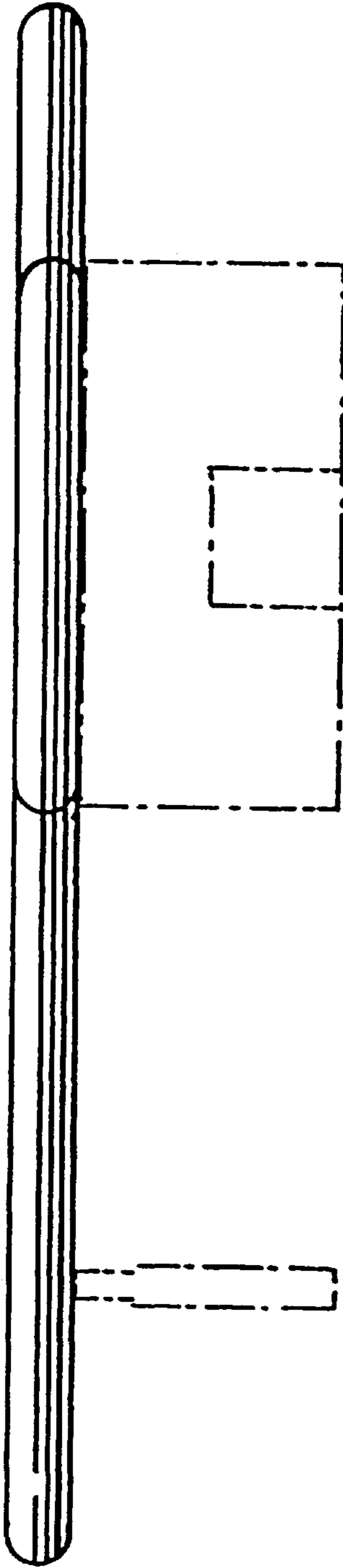


FIG. 5

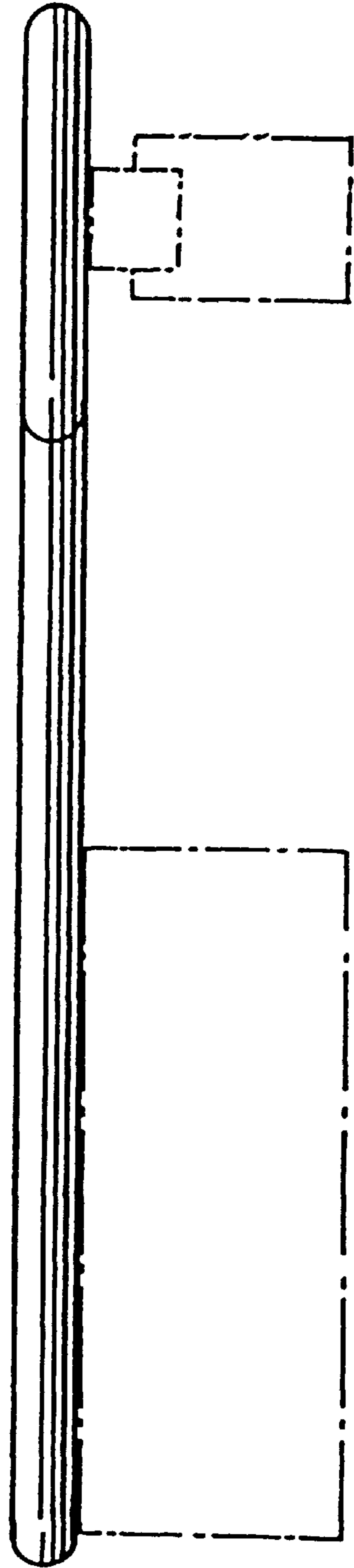


FIG. 4

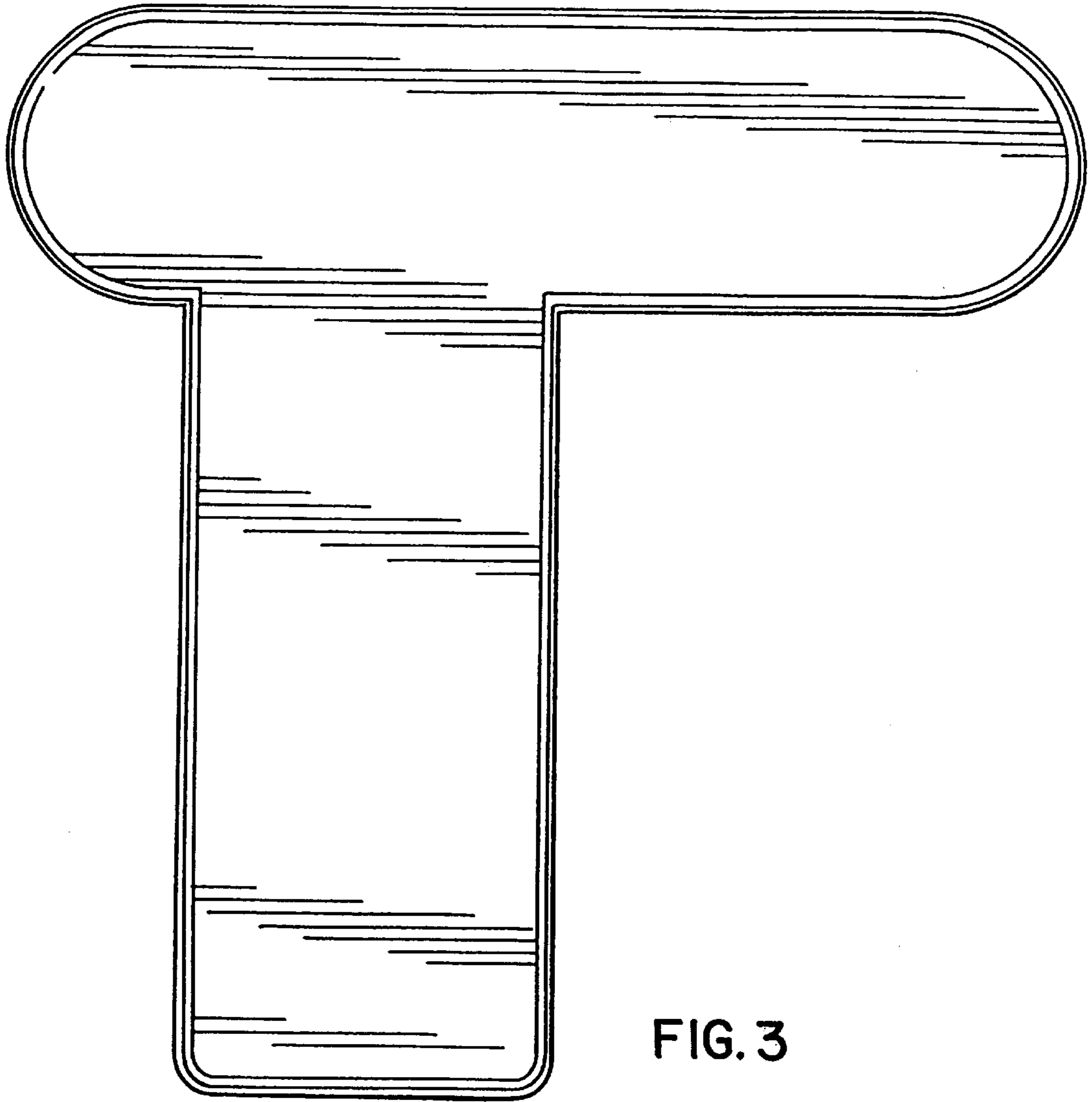


FIG. 3

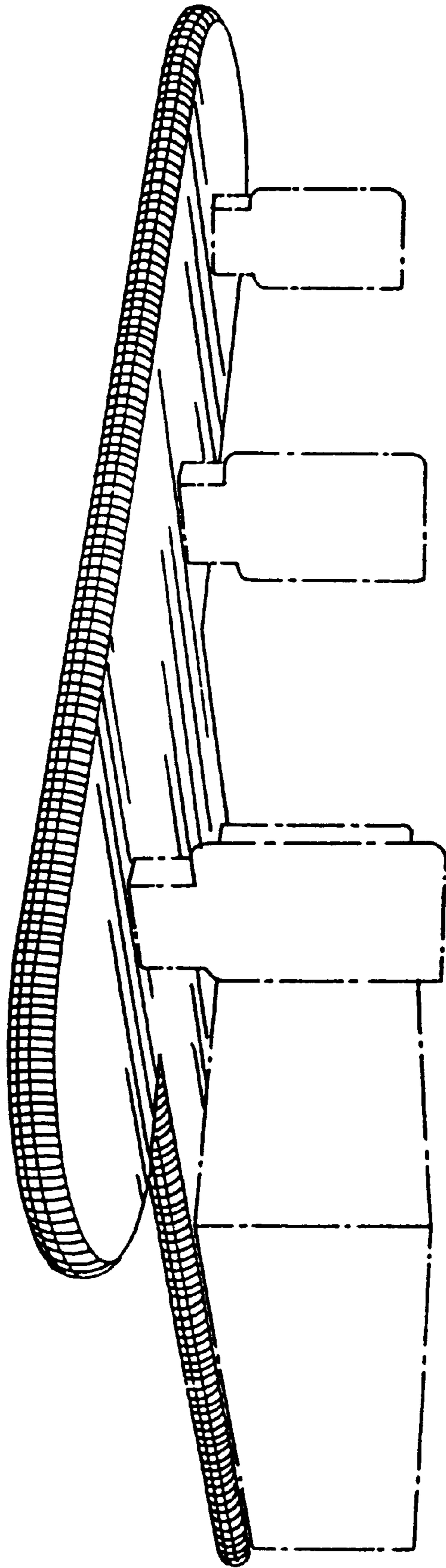
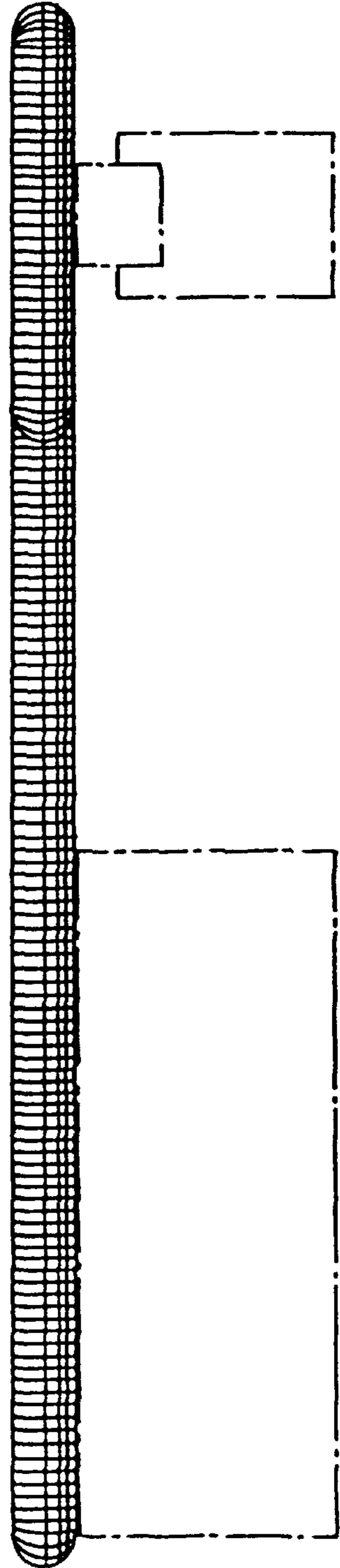
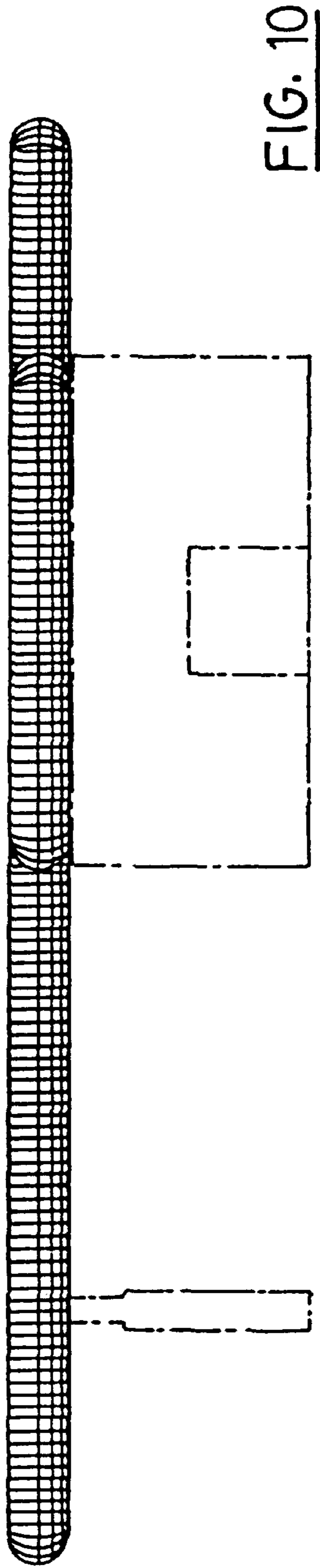
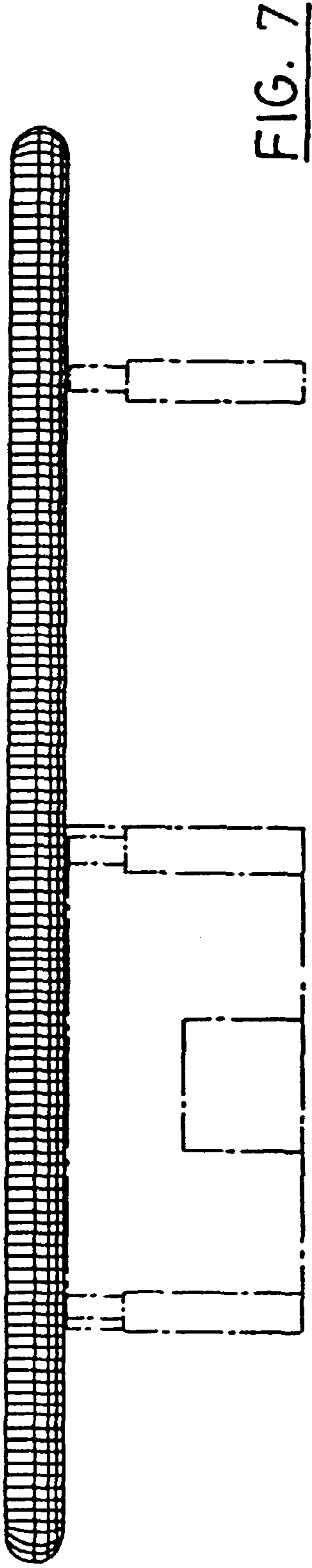


FIG. 6



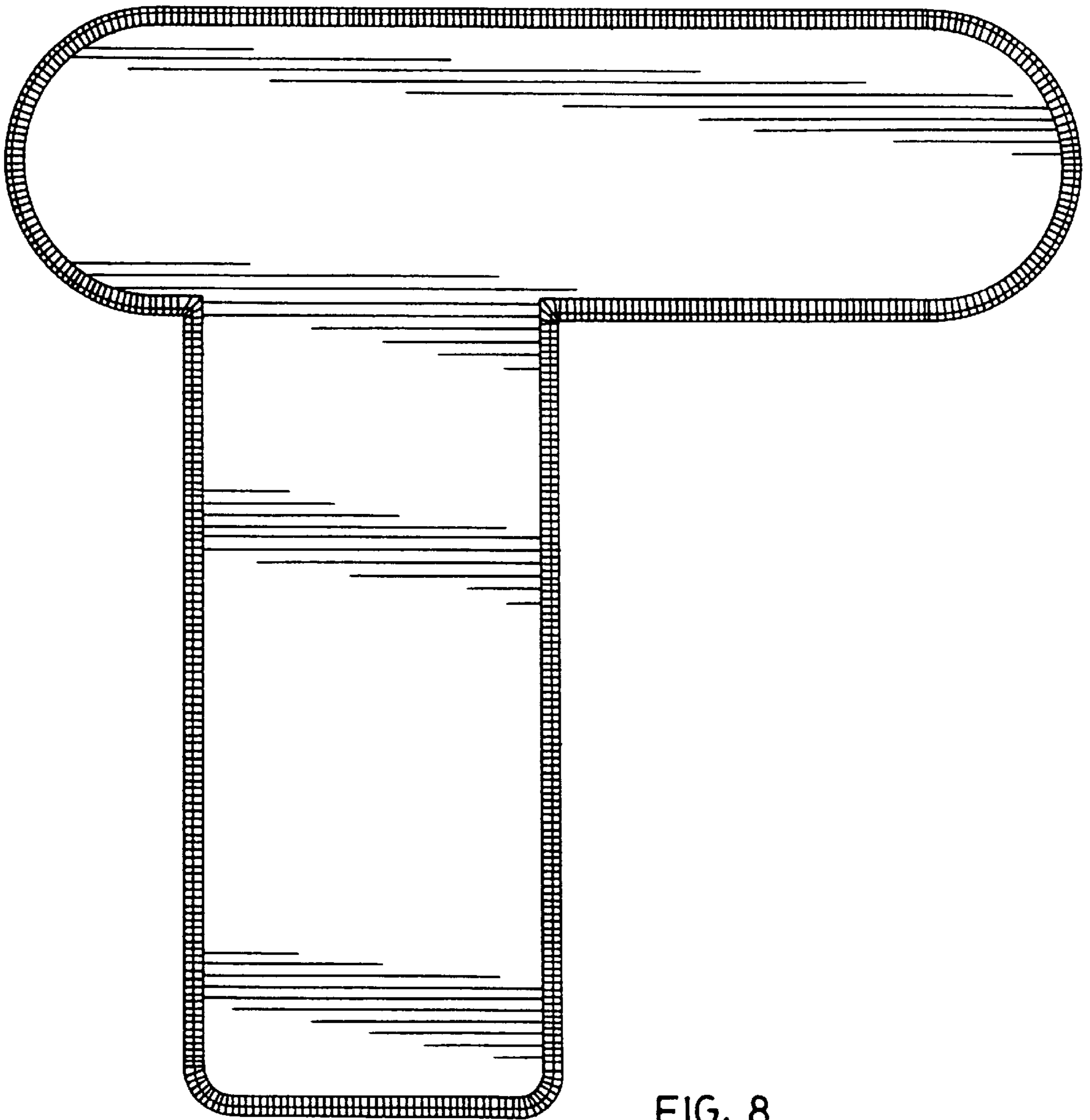


FIG. 8

UNITED STATES PATENT AND TRADEMARK OFFICE
CERTIFICATE OF CORRECTION

PATENT NO. : Des. 417,917
DATED : December 21, 1999
INVENTOR(S) : Charles E. Broudy

Page 1 of 8

It is certified that error appears in the above-identified patent and that said Letters Patent is hereby corrected as shown below:

Title page,

The title page, showing an illustrative figure, should be deleted and substitute therefor the attached title page.

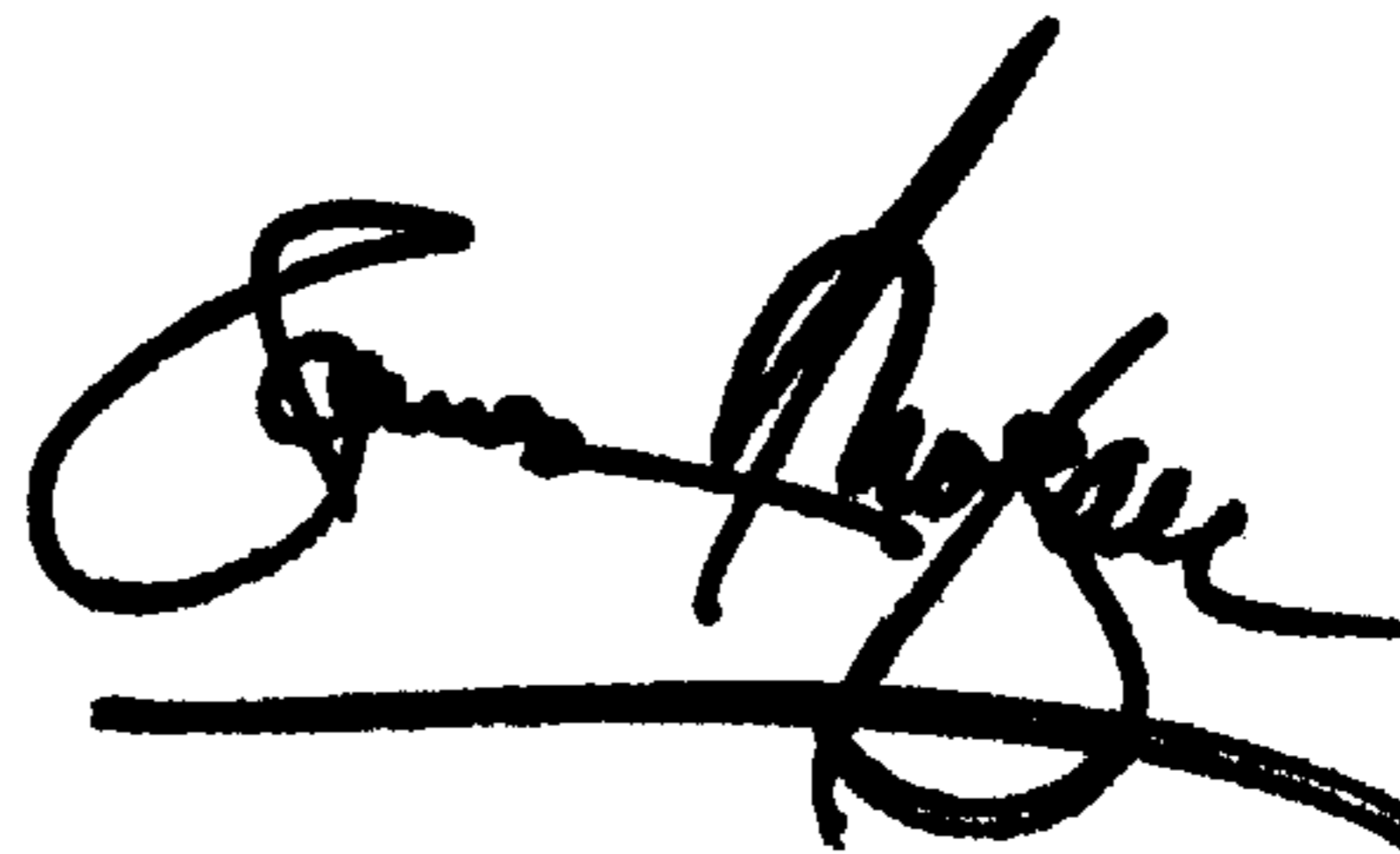
Drawings,

Delete Figures 1-10, and substitute therefor the Figures, consisting of Figures 1-10, as shown on the attached pages.

Signed and Sealed this

Nineteenth Day of November, 2002

Attest:

A handwritten signature in black ink, appearing to read "James E. Rogan", with a horizontal line drawn underneath it.

Attesting Officer

JAMES E. ROGAN
Director of the United States Patent and Trademark Office

United States Patent [19]
Broudy

[11] **Patent Number: Des. 417,917**
 [45] **Date of Patent: ** Dec. 21, 1999**

- [54] **SERVICE STATION CANOPY**
- [75] **Inventor: Charles E. Broudy, Philadelphia, Pa.**
- [73] **Assignee: Petro-Canada, Canada**
- [**] **Term: 14 Years**
- [21] **Appl. No.: 29/074,223**
- [22] **Filed: Jul. 30, 1997**

Related U.S. Application Data

- [62] **Division of application No. 29/038,639, May 10, 1995, Pat. No. Des. 391,646.**
- [51] **LOC (6) Cl. 25-02**
- [52] **U.S. Cl. D25/56; D25/34**
- [58] **Field of Search D25/1, 4, 16, 33, D25/34, 56; 52/36.1, 73, 88, 89; 135/87, 908**

[56] **References Cited**

U.S. PATENT DOCUMENTS

- D. 106,270 10/1937 Aldrich et al. .
- D. 108,535 2/1938 Cheney .
- D. 109,031 1/1938 Aldrich et al. .
- D. 110,138 6/1938 Aldrich et al. .
- D. 148,928 3/1948 Hardesty .
- D. 301,169 5/1989 Bass .

OTHER PUBLICATIONS

Color Photographs of BP Fuel Station Canopy taken one year prior to May 1995.

Primary Examiner—Louis S. Zarfes
Assistant Examiner—Monica A. Weingart
Attorney, Agent, or Firm—McDermott, Will & Emery

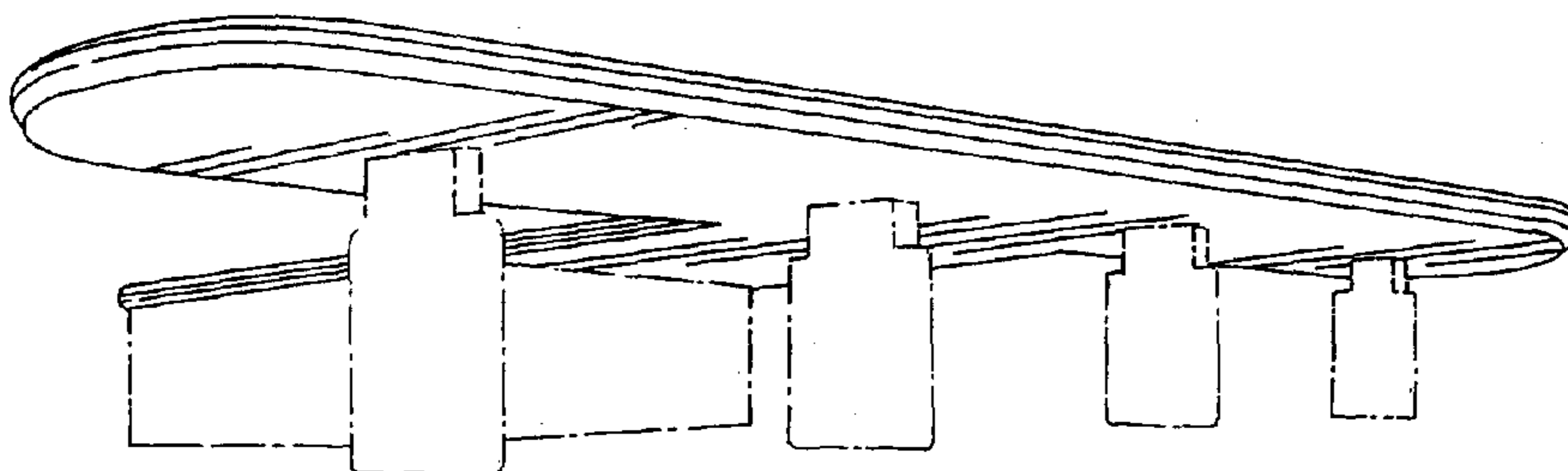
[57] **CLAIM**

The ornamental design for a service station canopy, as shown and described.

DESCRIPTION

FIG. 1 is a perspective view of a first embodiment of service station canopy in accordance with the present design; FIG. 2 is a front view of the service station canopy of FIG. 1; FIG. 3 is a top view of the service station canopy of FIG. 1; FIG. 4 is a side view of the service station canopy of FIG. 1; FIG. 5 is a rear view of the service station canopy of FIG. 1; FIG. 6 is a perspective view of a second embodiment of a service station canopy in accordance with the present design in which the peripheral edge of the canopy is ornamented in red; FIG. 7 is a front view of the service station canopy of FIG. 6; FIG. 8 is a top view of the service station canopy of FIG. 6; FIG. 9 is a side view of the service station canopy of FIG. 6; and, FIG. 10 is a back view of the service station canopy of FIG. 6. The dotted lines showing the fuel pumps and support structures are for environmental purposes only and form no part of the claimed design.

1 Claim, 6 Drawing Sheets



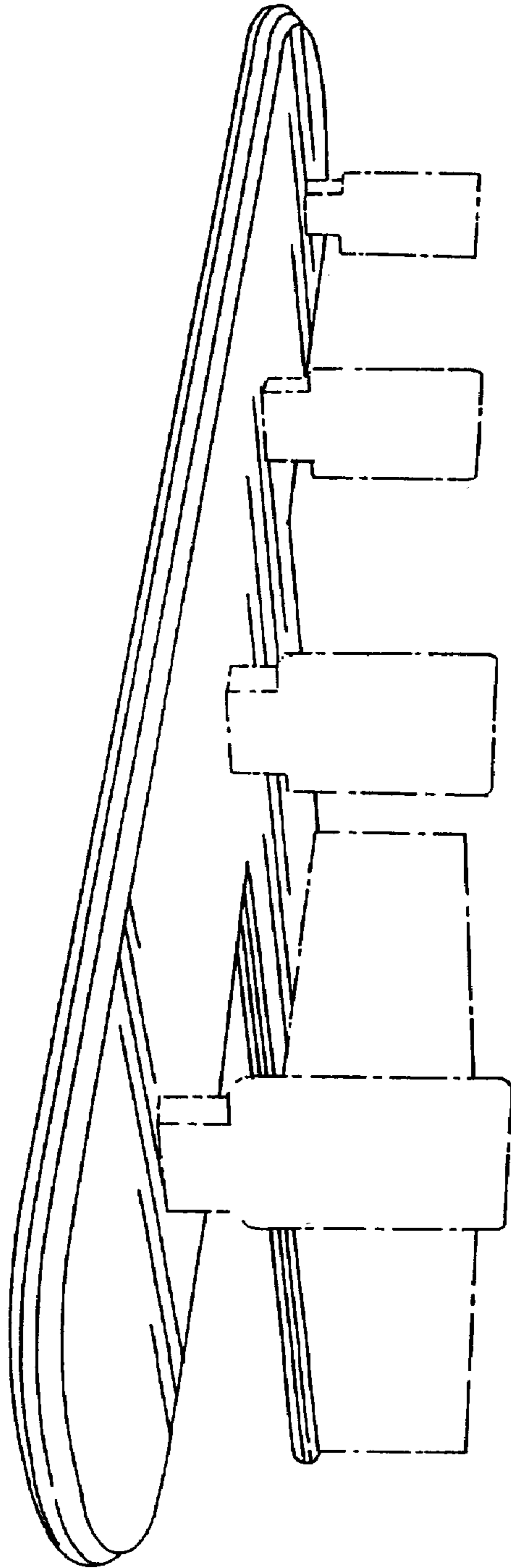
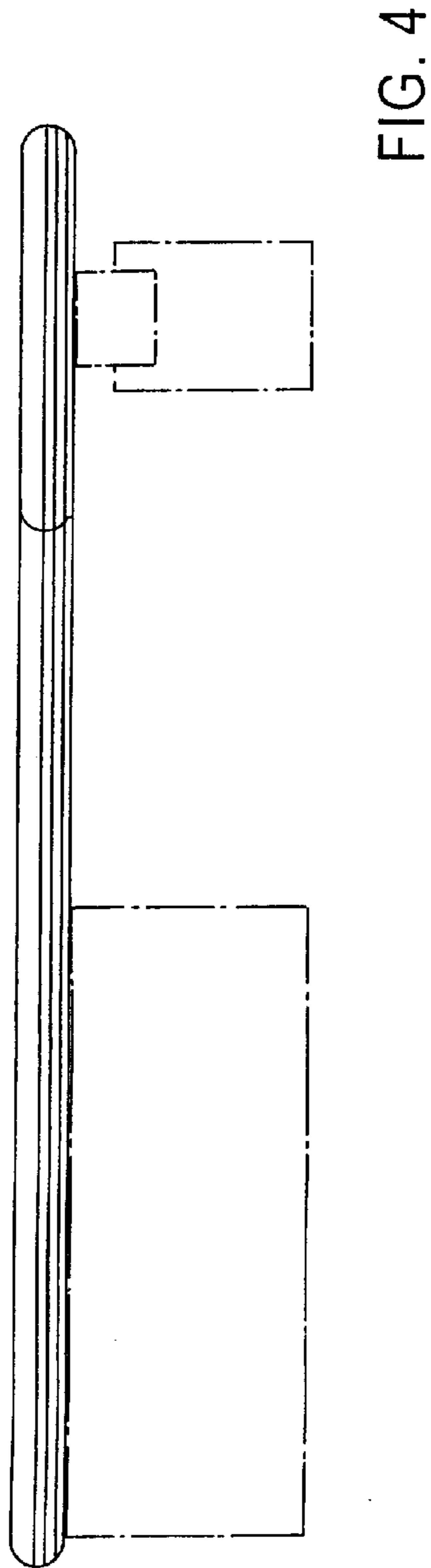
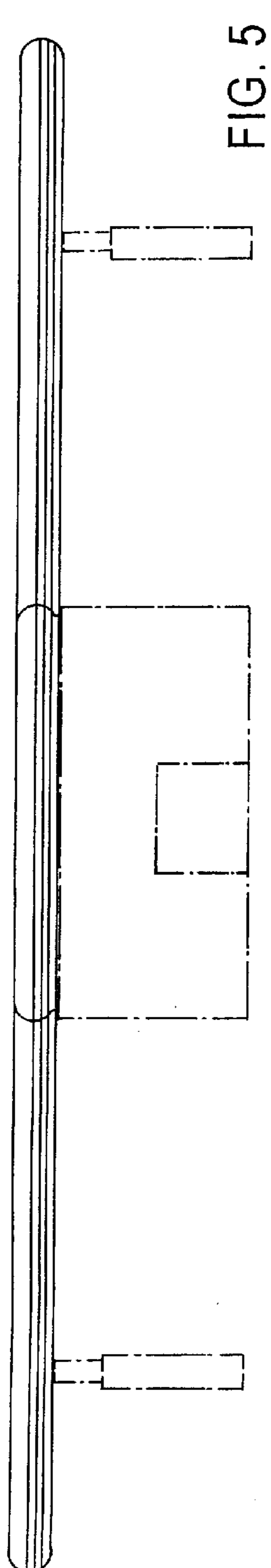
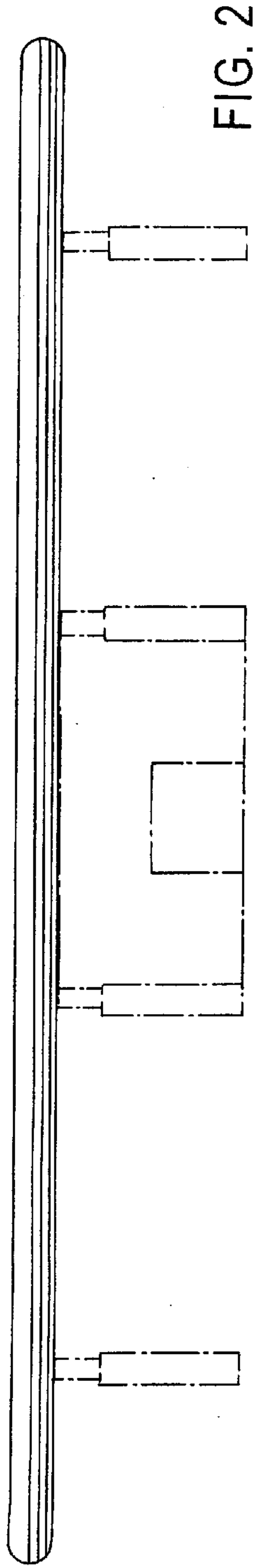


FIG. 1



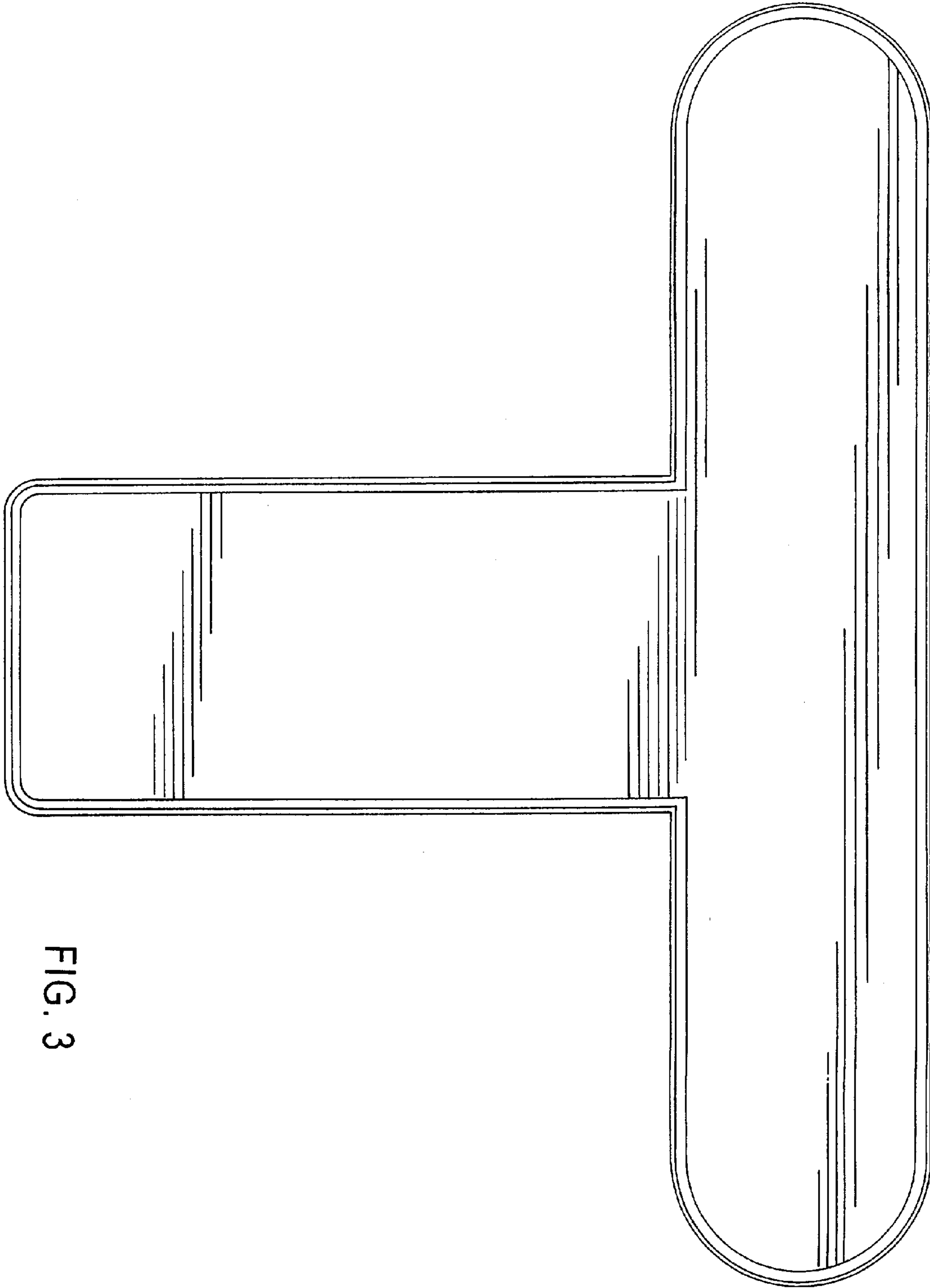
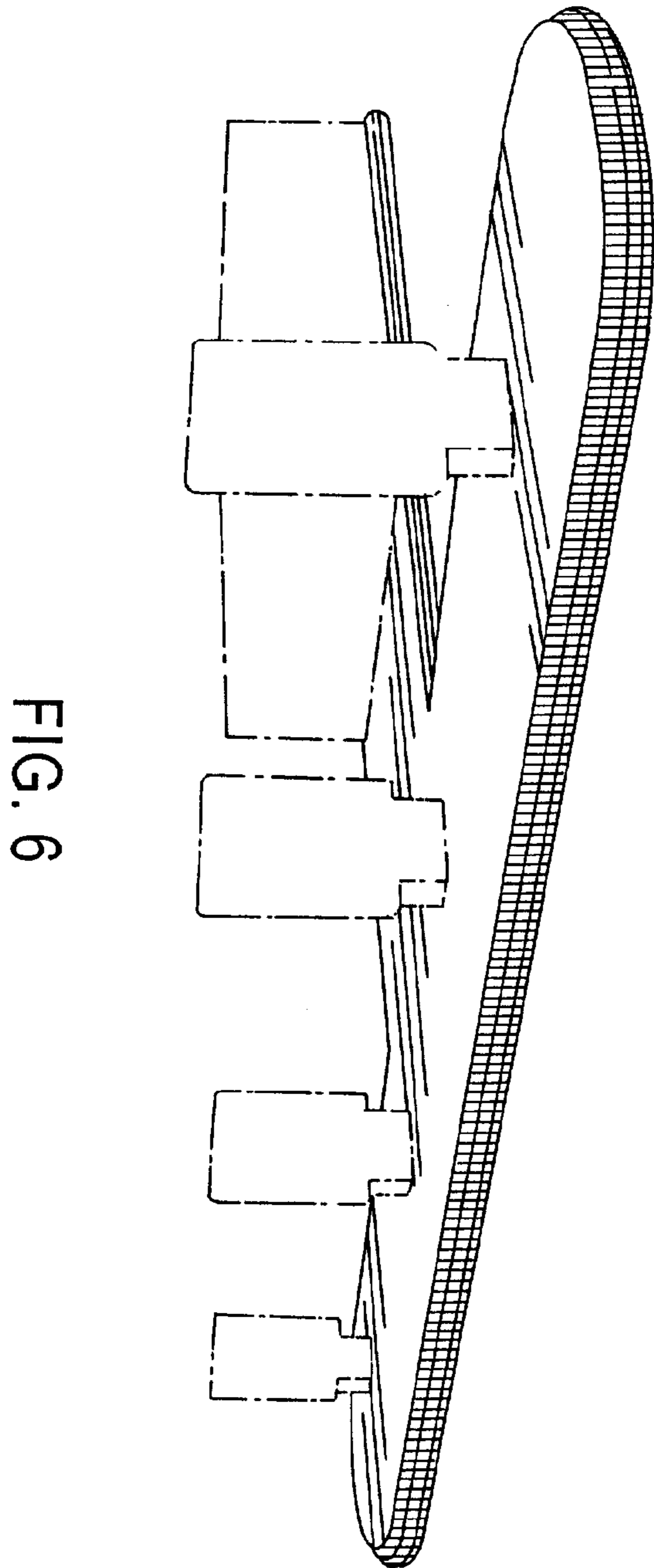


FIG. 3



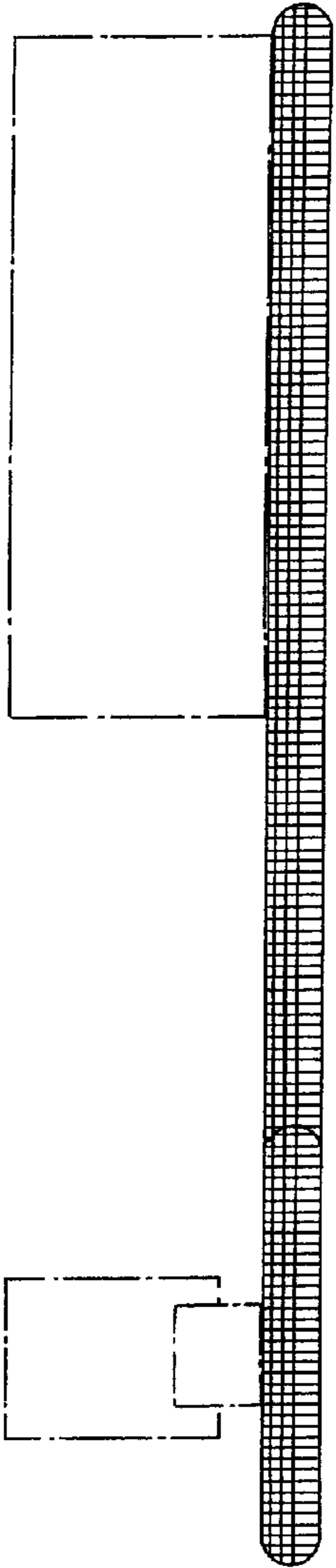


FIG. 9

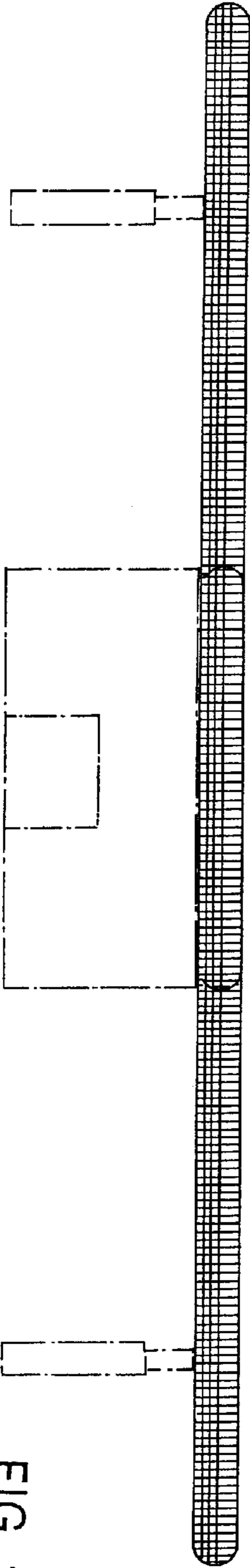


FIG. 10

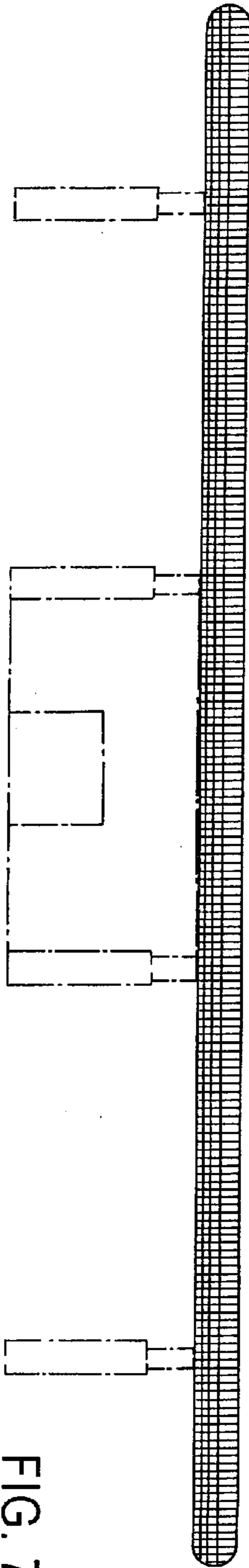


FIG. 7

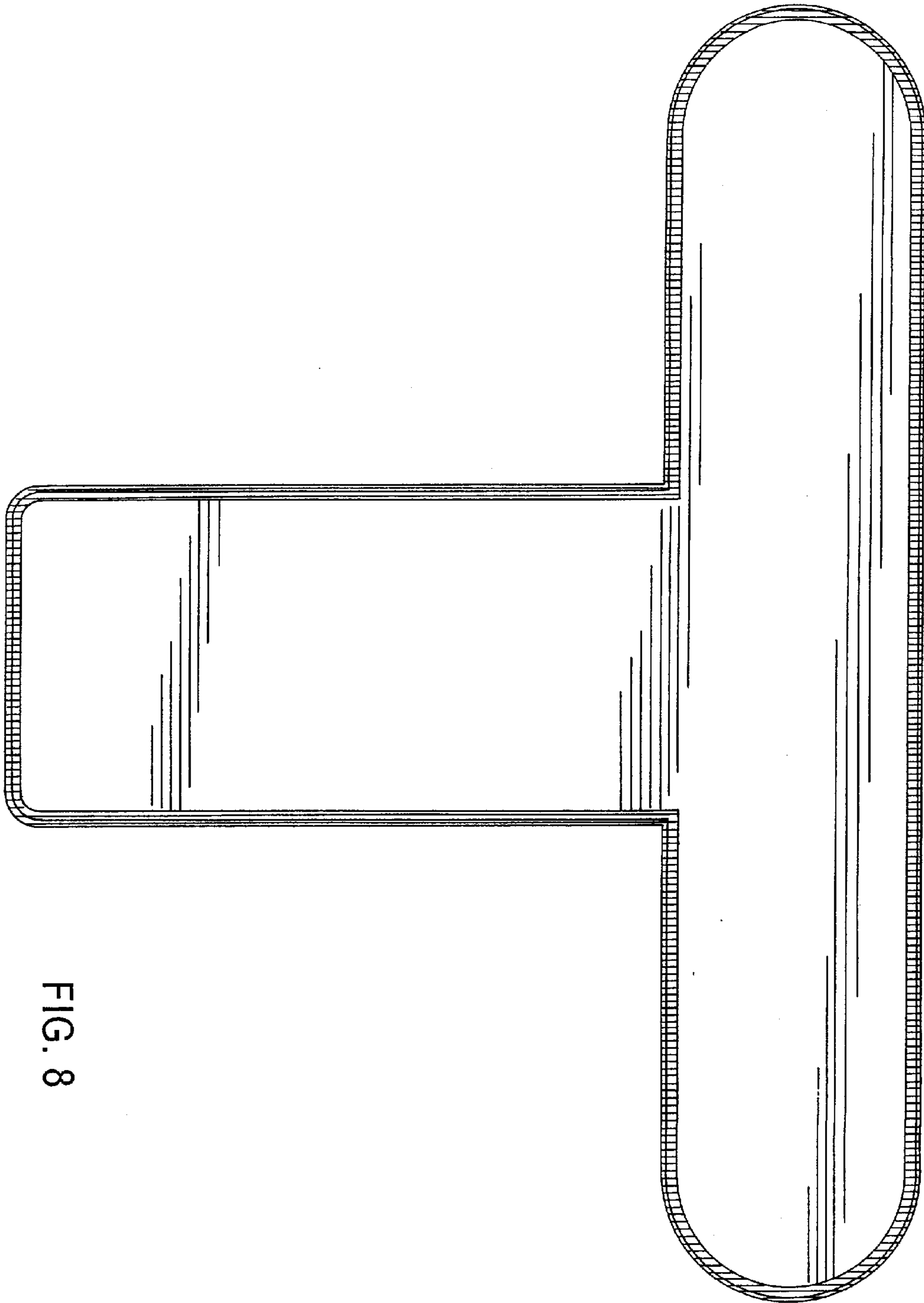


FIG. 8