



US00D417916S

United States Patent [19] Ribe

[11] **Patent Number: Des. 417,916**

[45] **Date of Patent: ** Dec. 21, 1999**

[54] **JOINING DEVICE FOR A HANDRAIL**

5,297,885 3/1994 Hall 403/231
5,396,640 3/1995 Bocchi D25/38 X

[75] Inventor: **Charles Ribe**, Hirson, France

OTHER PUBLICATIONS

[73] Assignee: **La Creuset De La Thierache**,
Origny-En-Thierache, France

Sweet Catalog, Speed Rail/Nu-Rail brochure, p. 7, handrail
connector, Jan. 1993.

[**] Term: **14 Years**

Primary Examiner—Holly Baynham
Attorney, Agent, or Firm—Harrison & Egbert

[21] Appl. No.: **29/081,846**

[22] Filed: **Dec. 17, 1997**

[57] CLAIM

[30] Foreign Application Priority Data

The ornamental design for a joining device for a handrail
design, as shown and described.

Jun. 23, 1997 [FR] France 97 3702

DESCRIPTION

[51] **LOC (6) Cl.** **25-02**

FIG. 1 is a frontal view of a joining device for a handrail
showing my new design in a straight line position;

[52] **U.S. Cl.** **D25/38; D8/382**

FIG. 2 is a rear view of FIG. 1;

[58] **Field of Search** D8/382, 363; 403/402,
403/205, 230; 285/118, 163; D6/458, 462,
487; D25/38, 43, 44

FIG. 3 is a front view thereof, of the design in a 45 degree
angle, the rear view being a mirror image thereof;

[56] References Cited

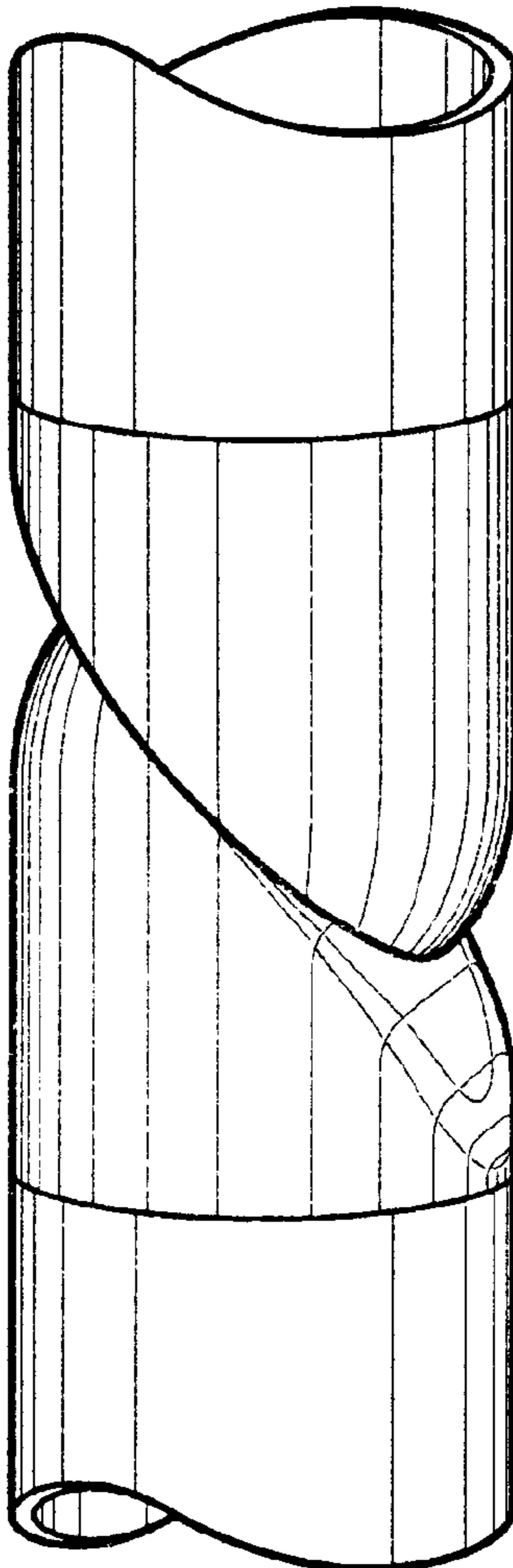
FIG. 4 is a front view of of the design of a shallow angle;
and,

U.S. PATENT DOCUMENTS

FIG. 5 is a rear view of the design of FIG. 4.

D. 333,873 3/1993 McCue D25/38

1 Claim, 5 Drawing Sheets



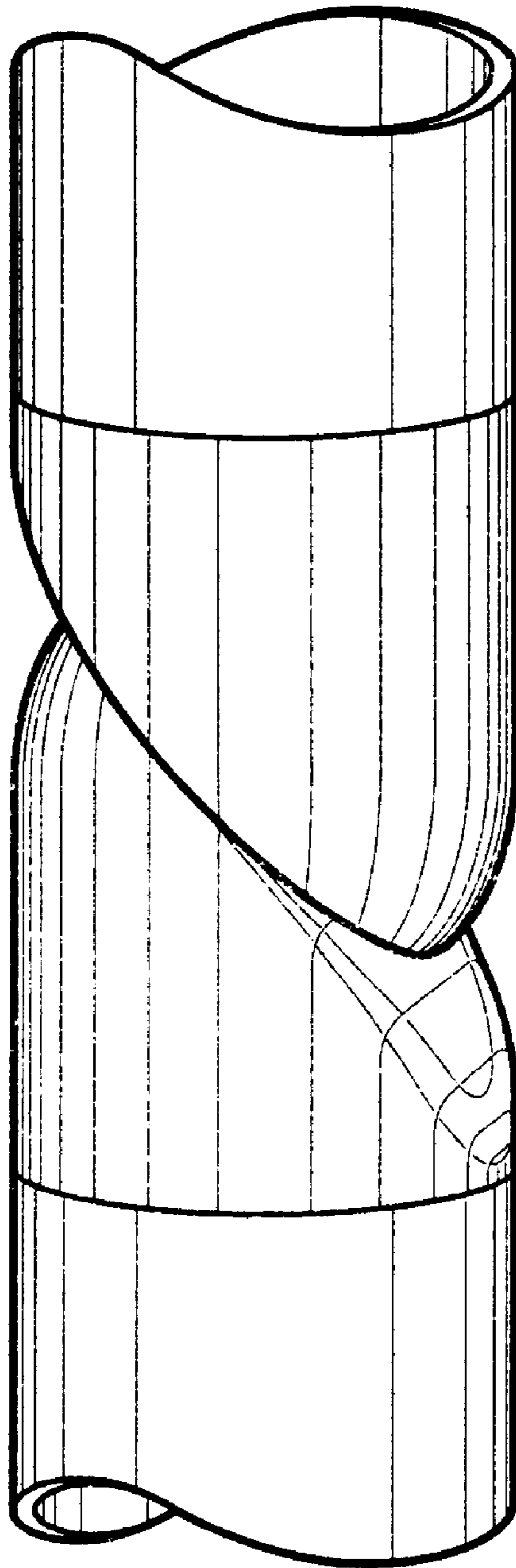


FIG. 1

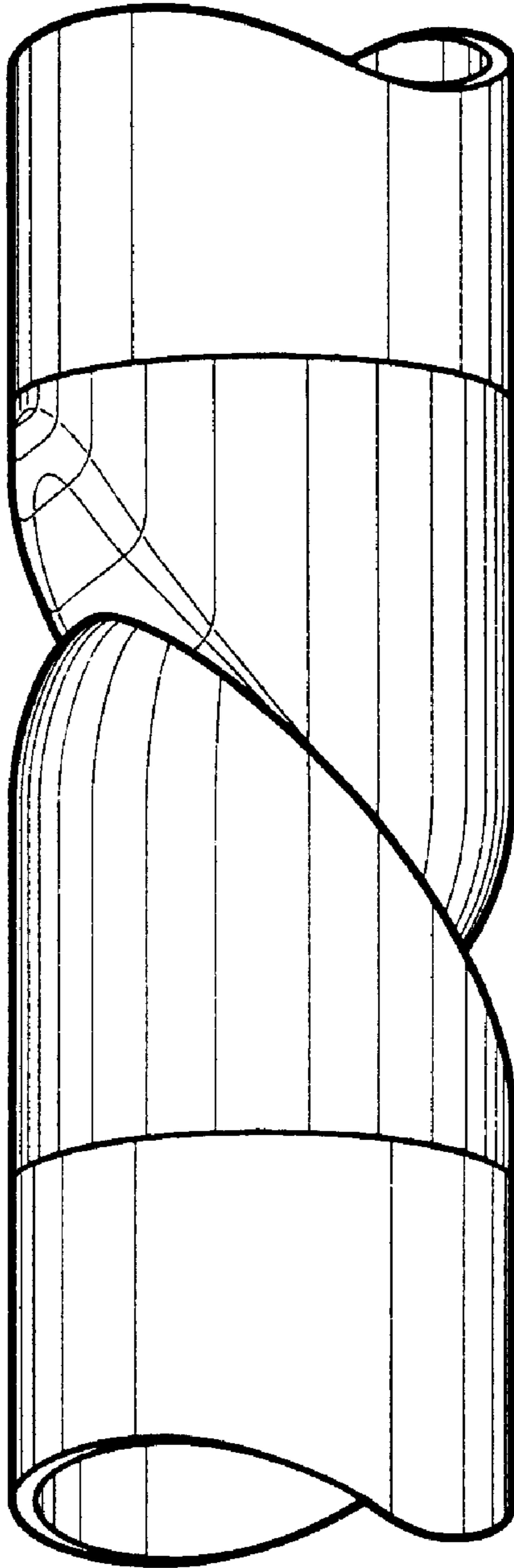


FIG. 2

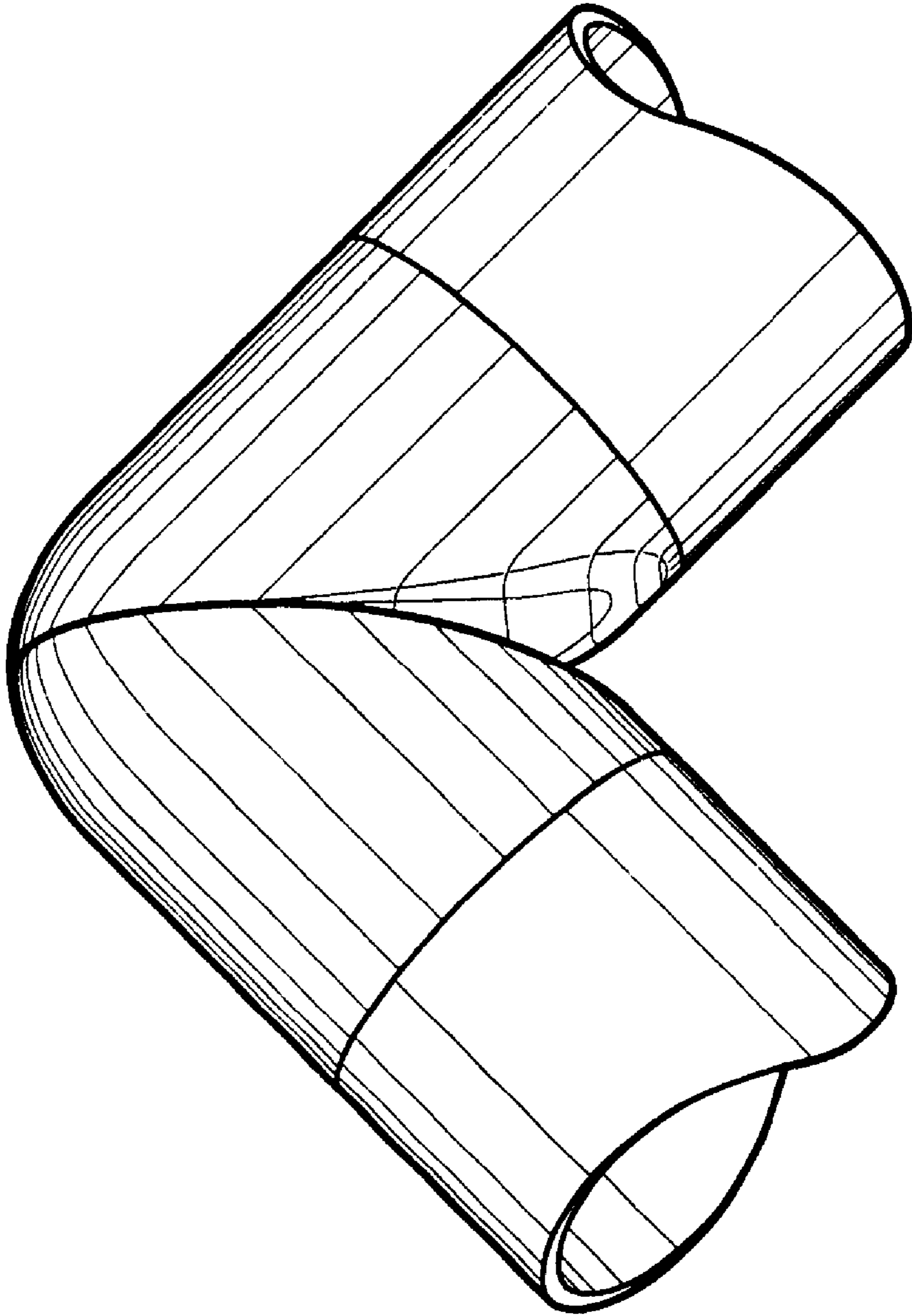


FIG. 3

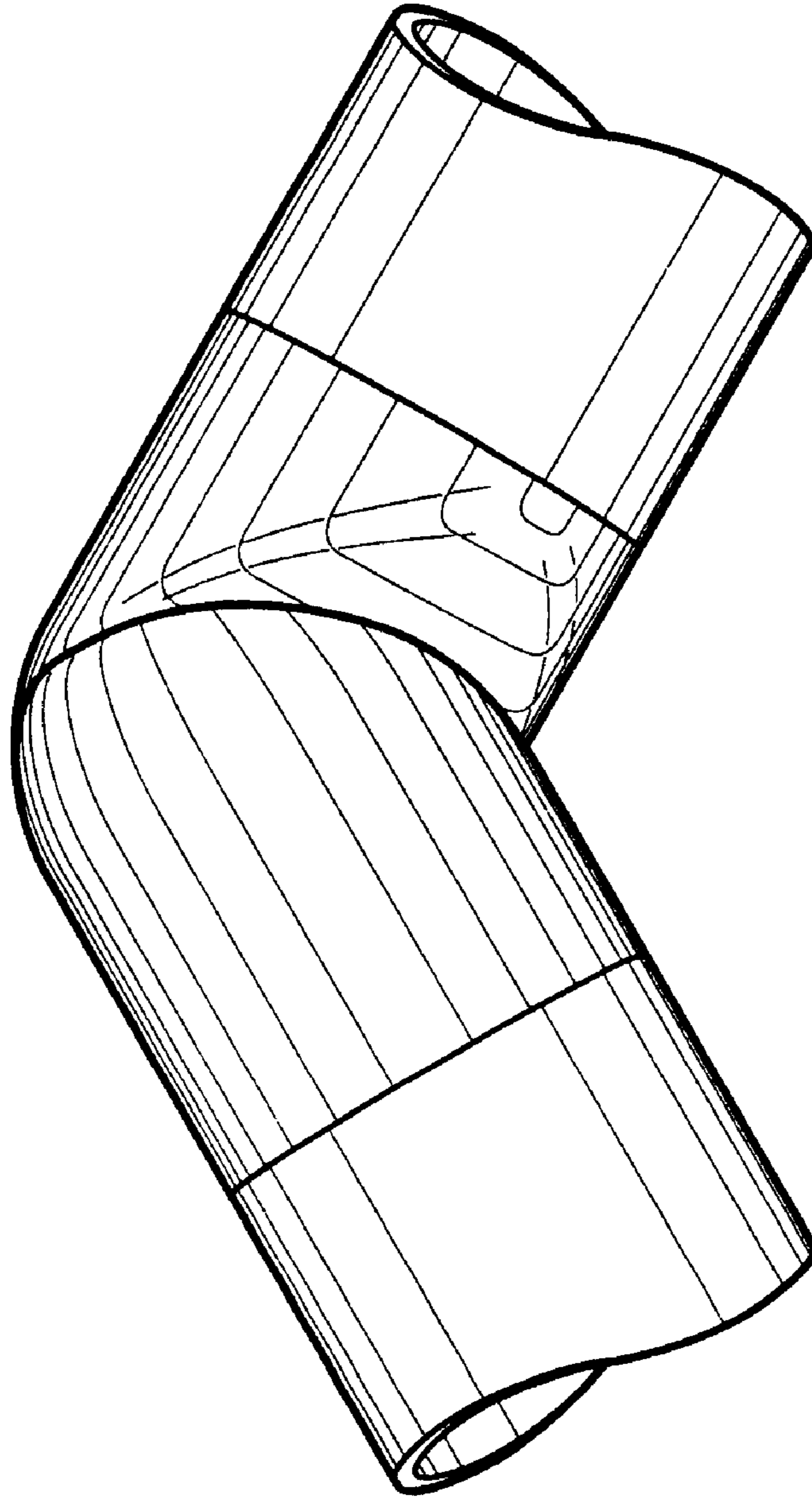


FIG. 4

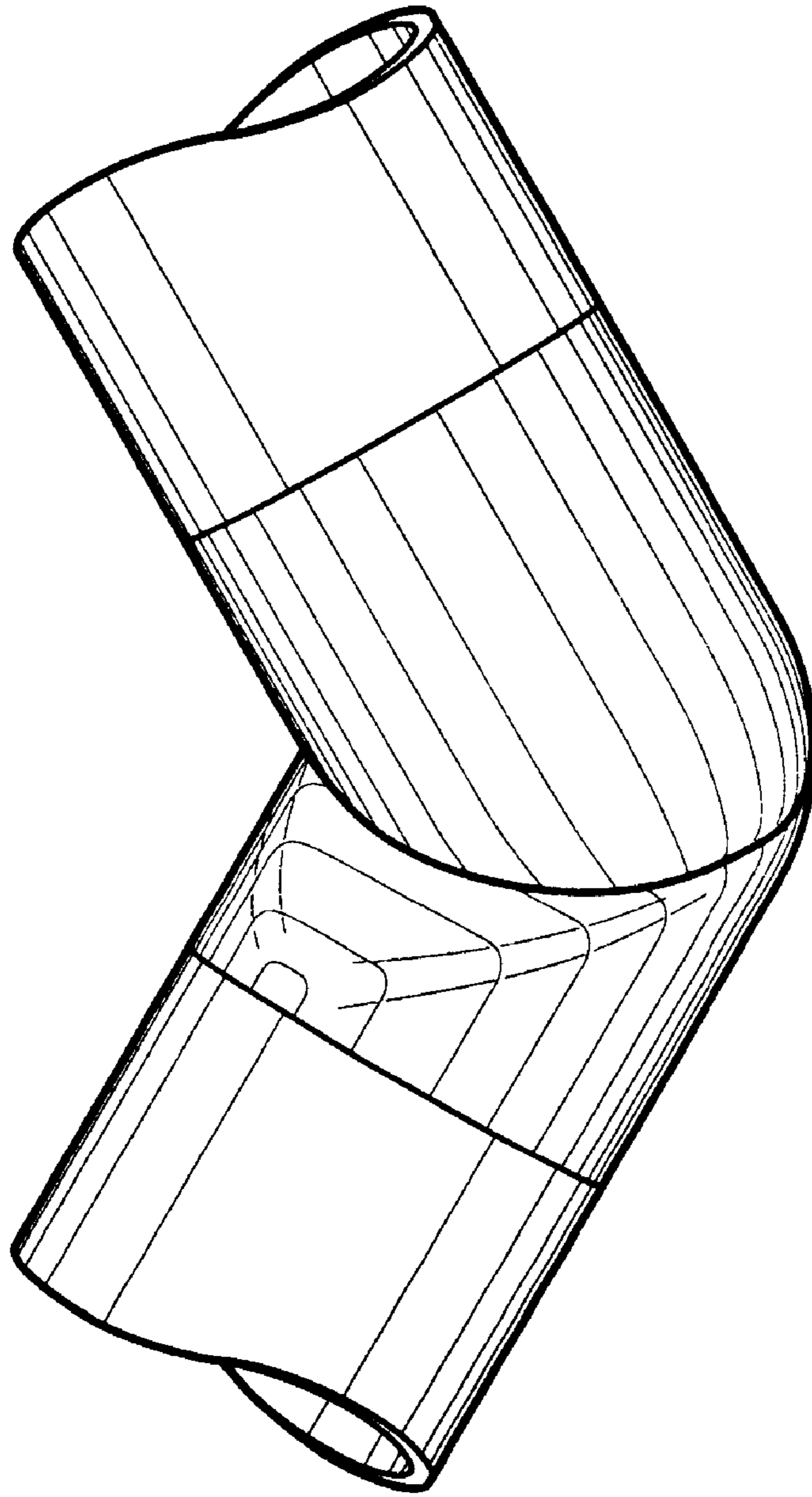


FIG. 5