



US00D417914S

**United States Patent** [19]  
**Nowak**

[11] **Patent Number: Des. 417,914**

[45] **Date of Patent: \*\* Dec. 21, 1999**

[54] **TEETHER**

3,690,324 9/1972 Spivack ..... 606/234

[75] Inventor: **Ralph M. Nowak**, Marblehead, Mass.

*Primary Examiner*—Stella Reid  
*Attorney, Agent, or Firm*—Fish & Richardson P.C.

[73] Assignee: **The First Years Inc.**, Mission Viejo, Calif.

[57] **CLAIM**

[\*\*] Term: **14 Years**

The ornamental design for a teether, as shown and described.

[21] Appl. No.: **29/091,066**

**DESCRIPTION**

[22] Filed: **Jul. 22, 1998**

FIG. 1 is a perspective view of a teether, showing my new design;

[51] **LOC (6) Cl.** ..... **24-04**

FIG. 2 is a front elevational view thereof;

[52] **U.S. Cl.** ..... **D24/194**

FIG. 3 is a rear elevational view thereof;

[58] **Field of Search** ..... D24/194, 193;

FIG. 4 is a left side elevational view thereof;

606/234, 235, 236

FIG. 5 is a right side elevational view thereof;

FIG. 6 is top plan view thereof;

FIG. 7 is a bottom plan view thereof;

[56] **References Cited**

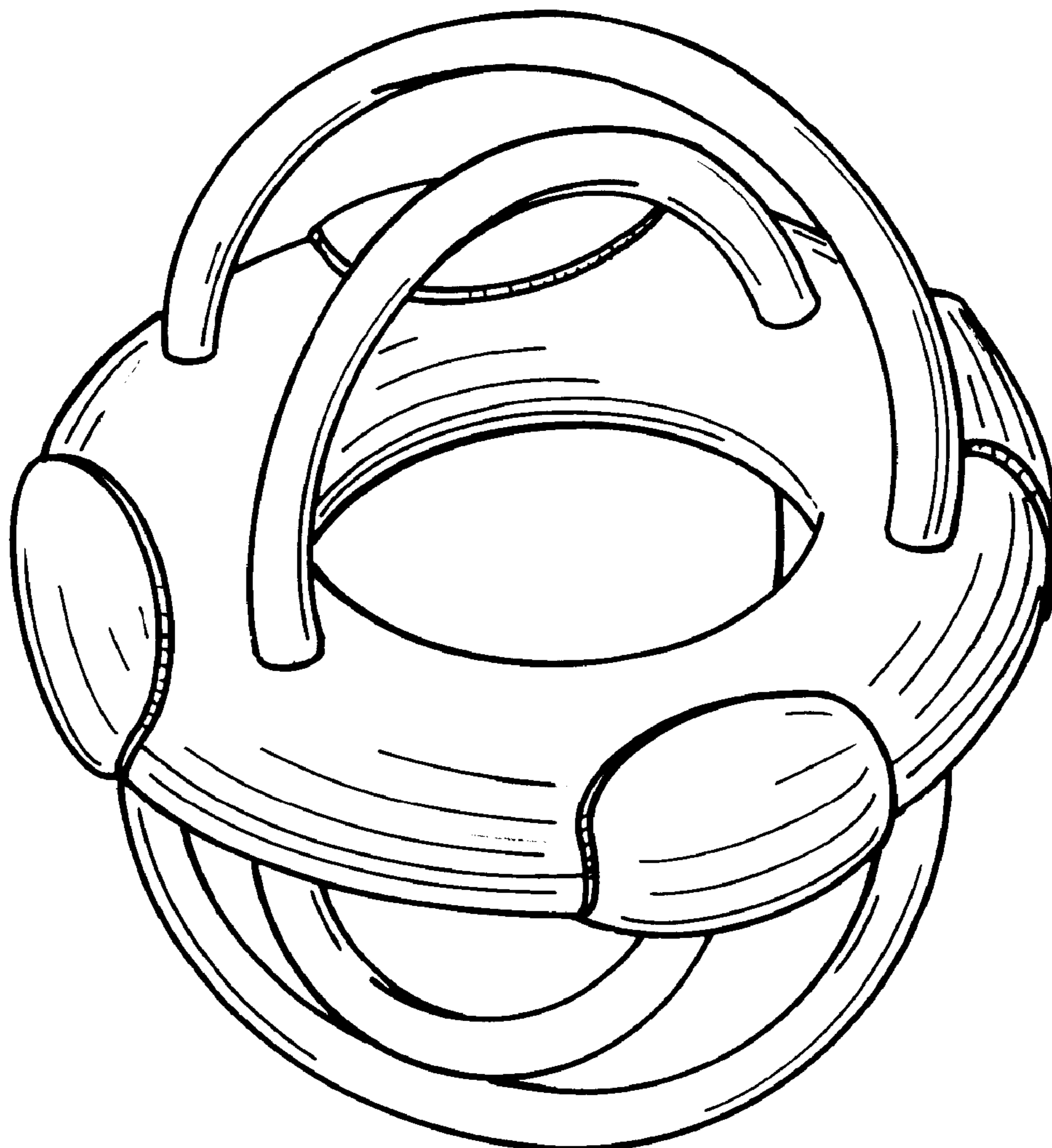
**U.S. PATENT DOCUMENTS**

D. 344,987	3/1994	Spence, Jr.	.....	D24/195
D. 345,995	4/1994	Spence, Jr.	.....	D24/195
1,117,093	11/1914	Ripley	.....	606/235
3,633,587	1/1972	Hunt	.....	606/235

FIG. 8 is a view taken in the direction of line 8—8 shown in FIG. 6; and,

FIG. 9 is a view taken in the direction of line 9—9 shown in FIG. 6.

**1 Claim, 4 Drawing Sheets**



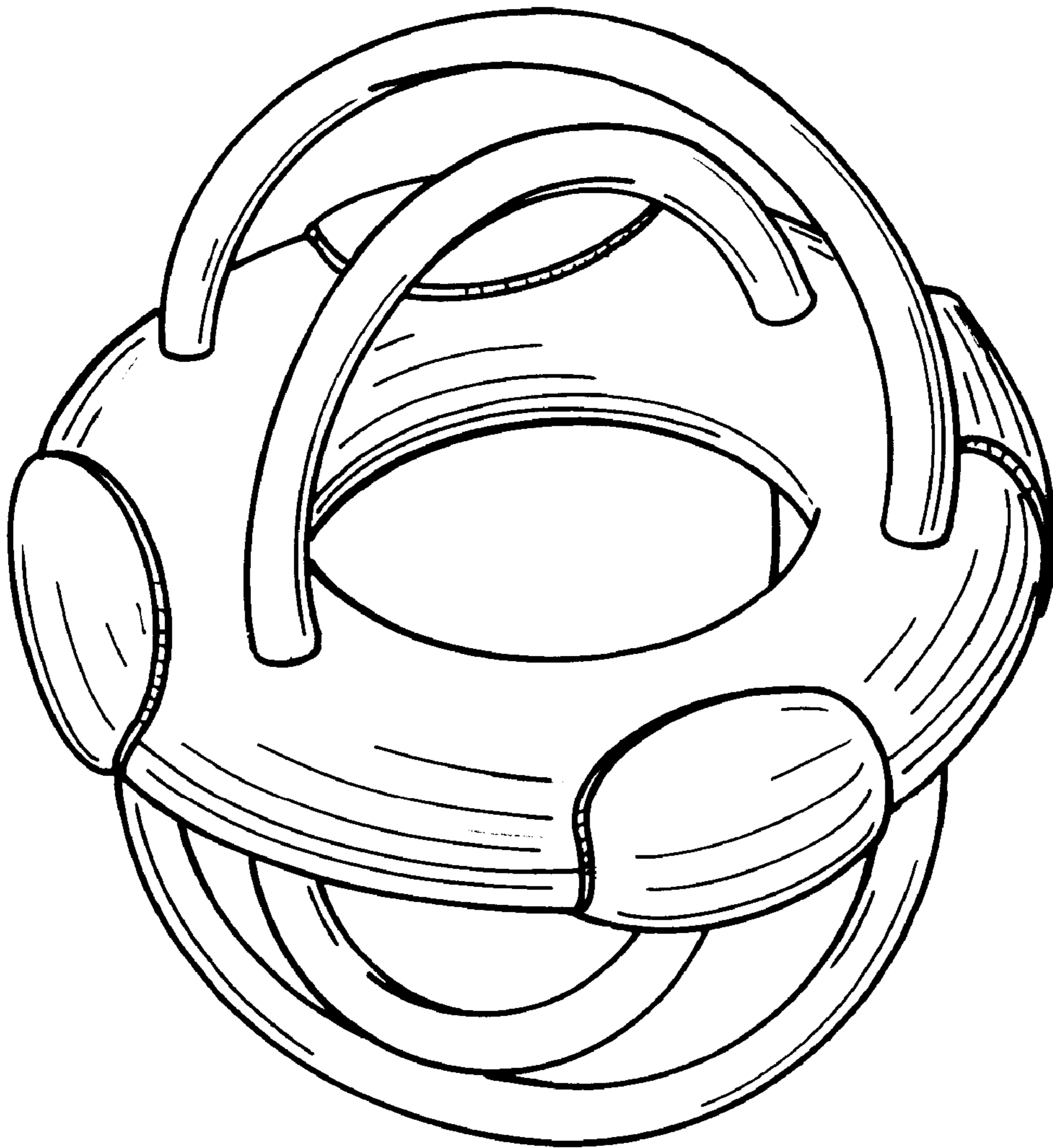


FIG. 1

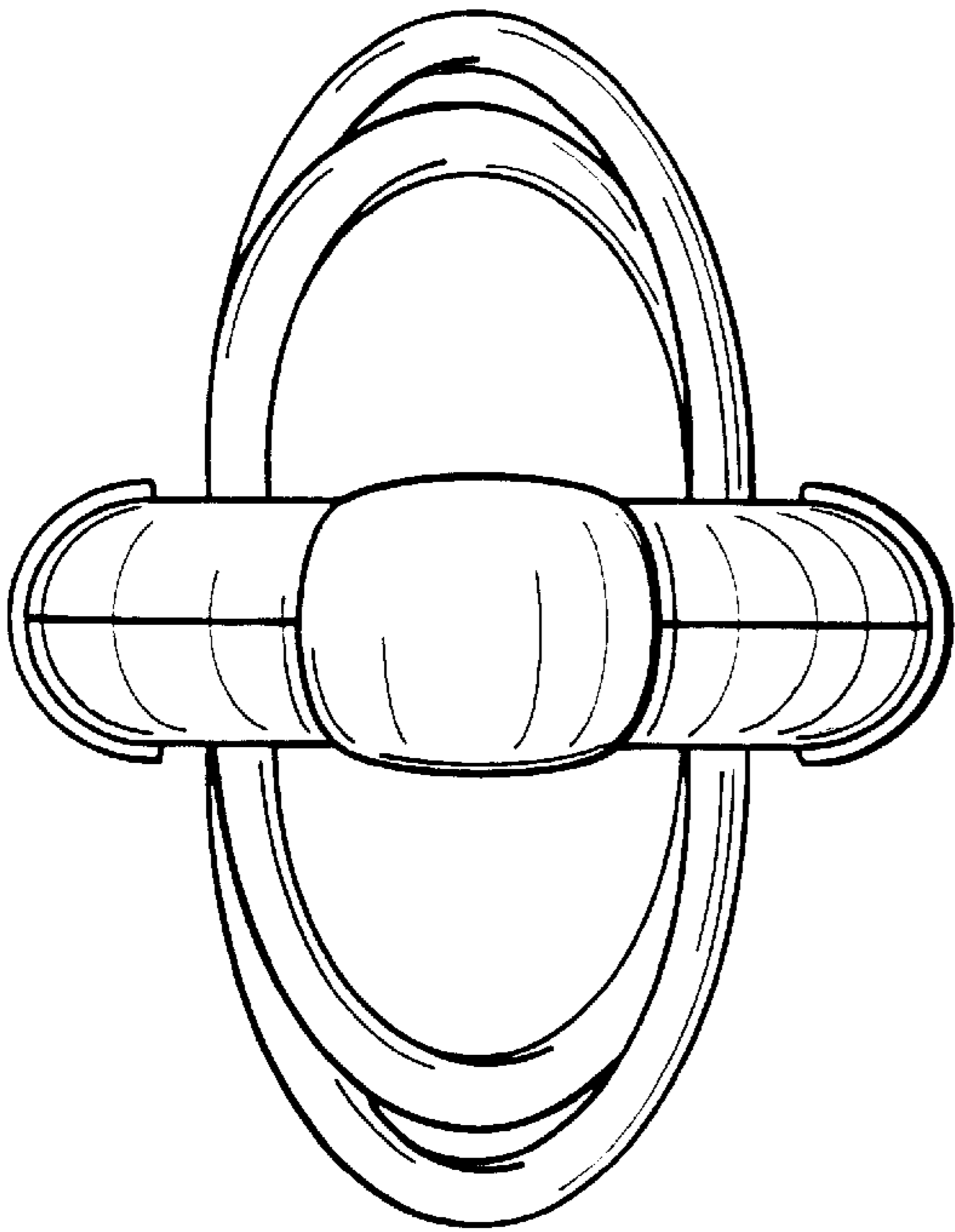


FIG. 2

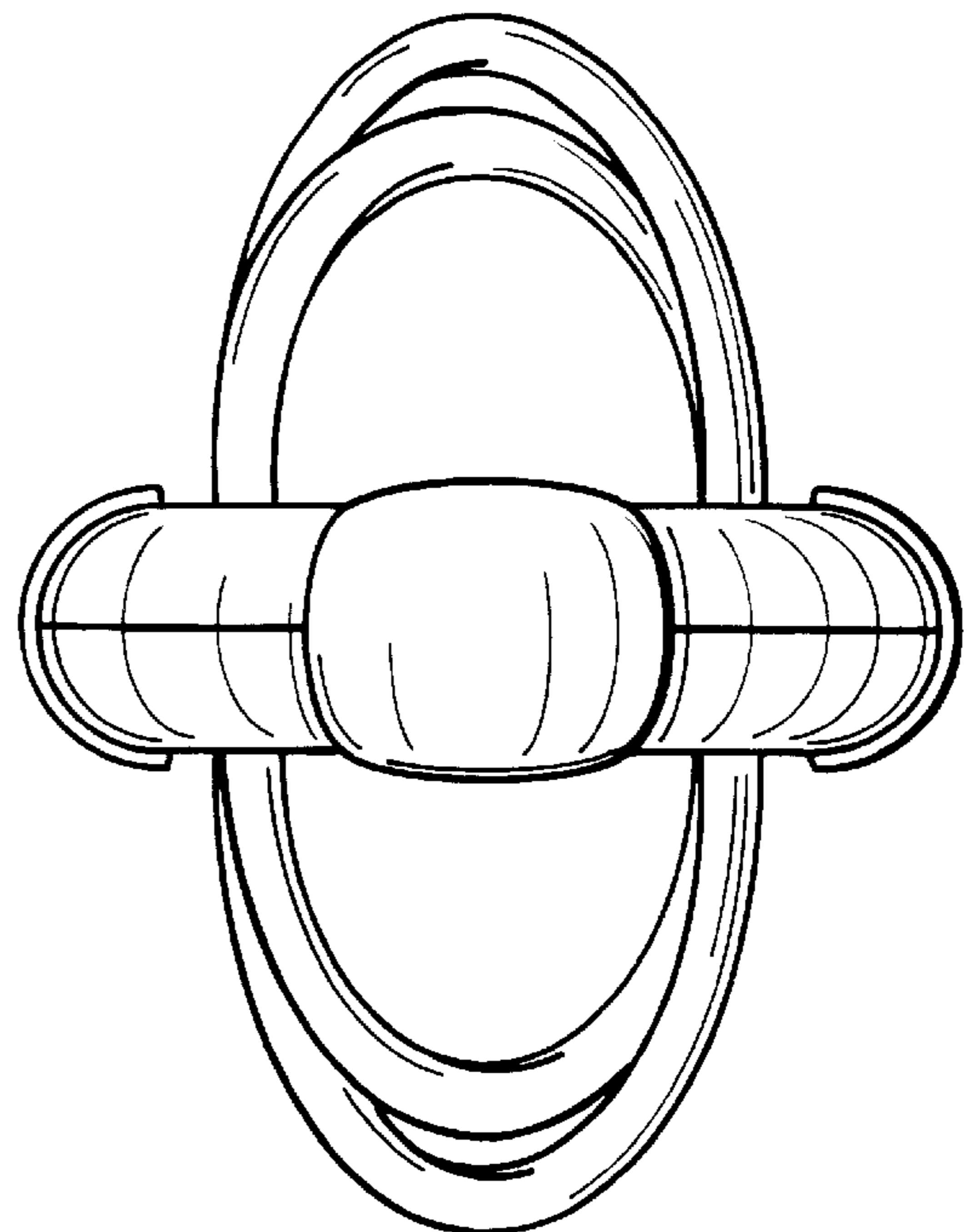


FIG. 3

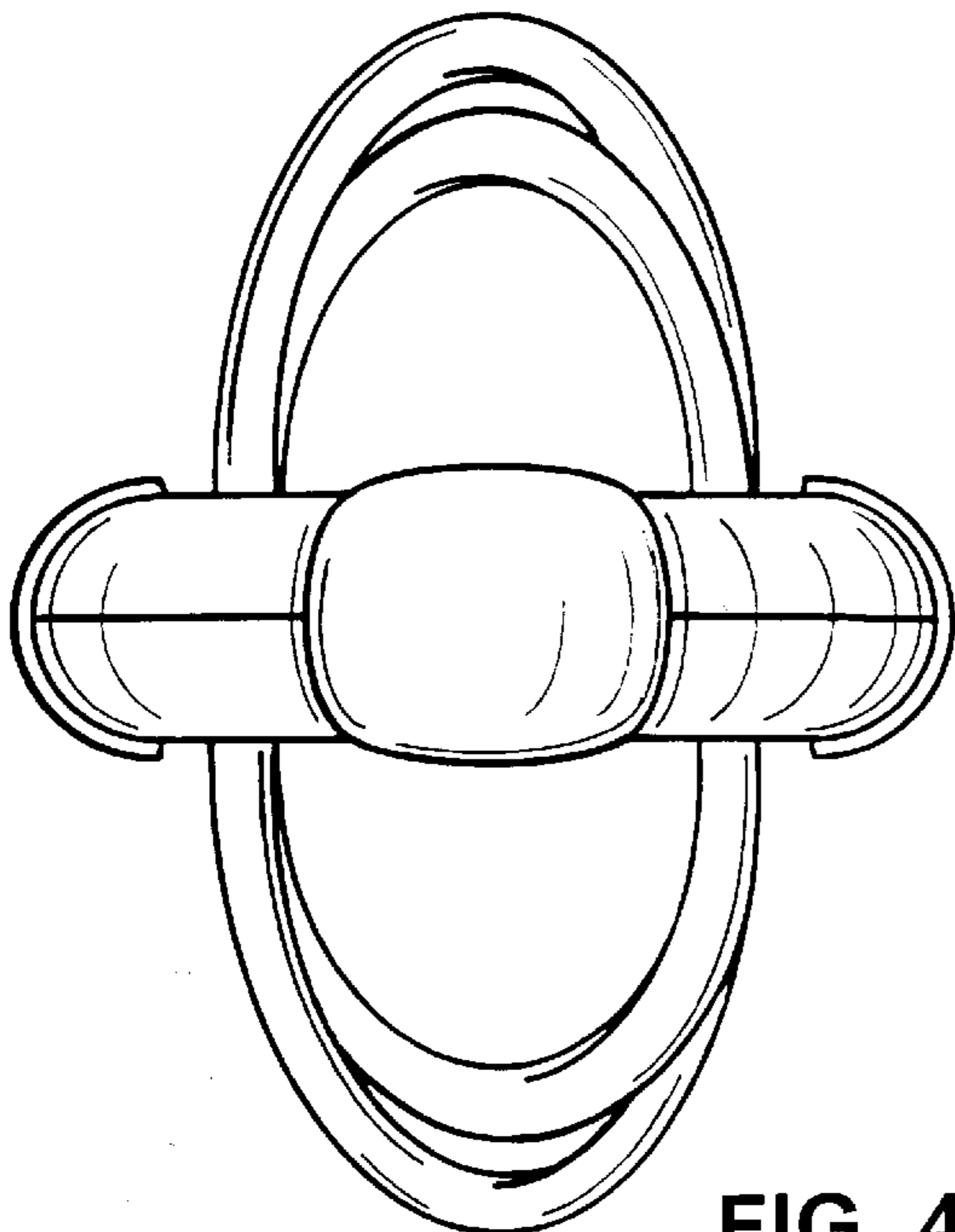


FIG. 4

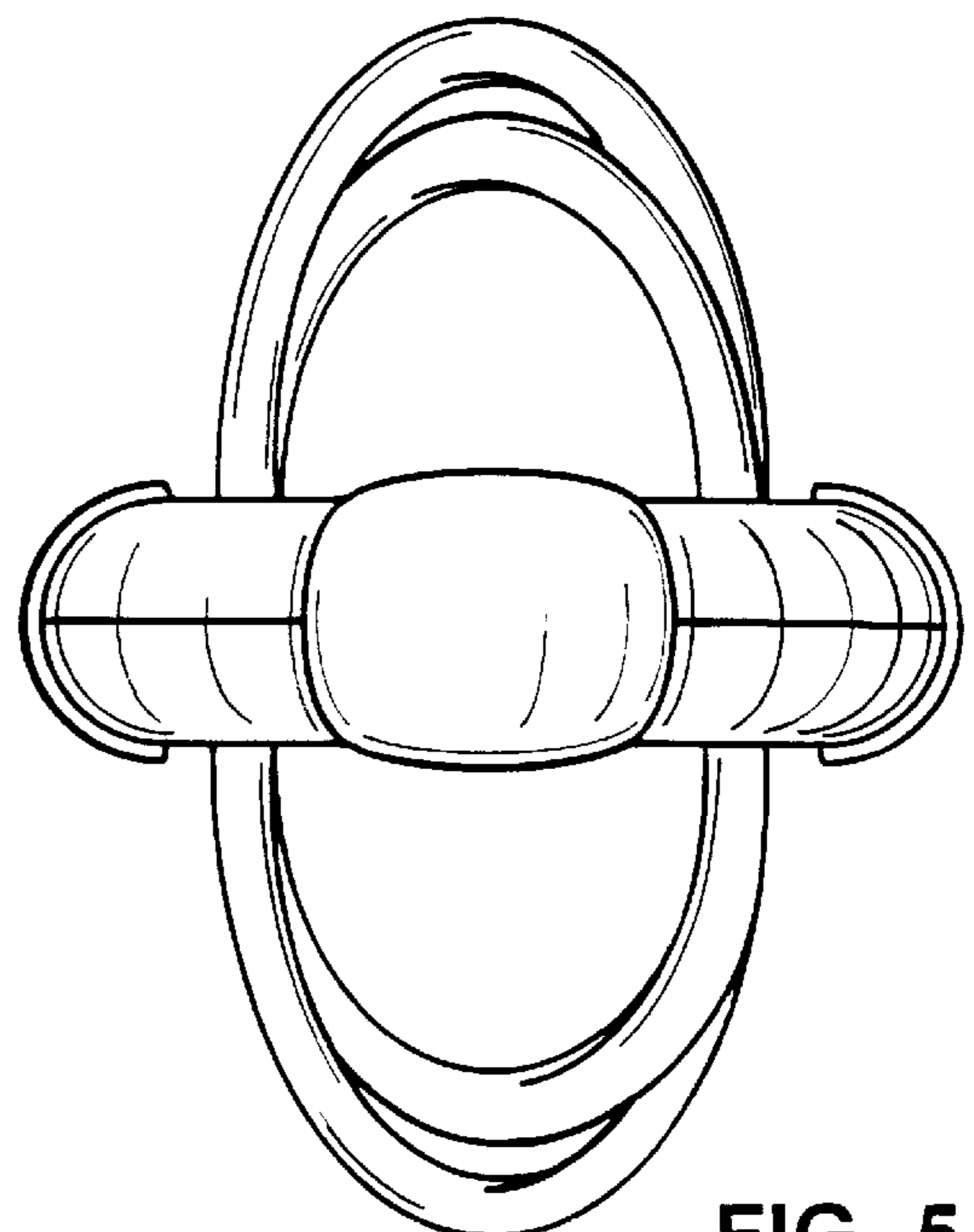


FIG. 5

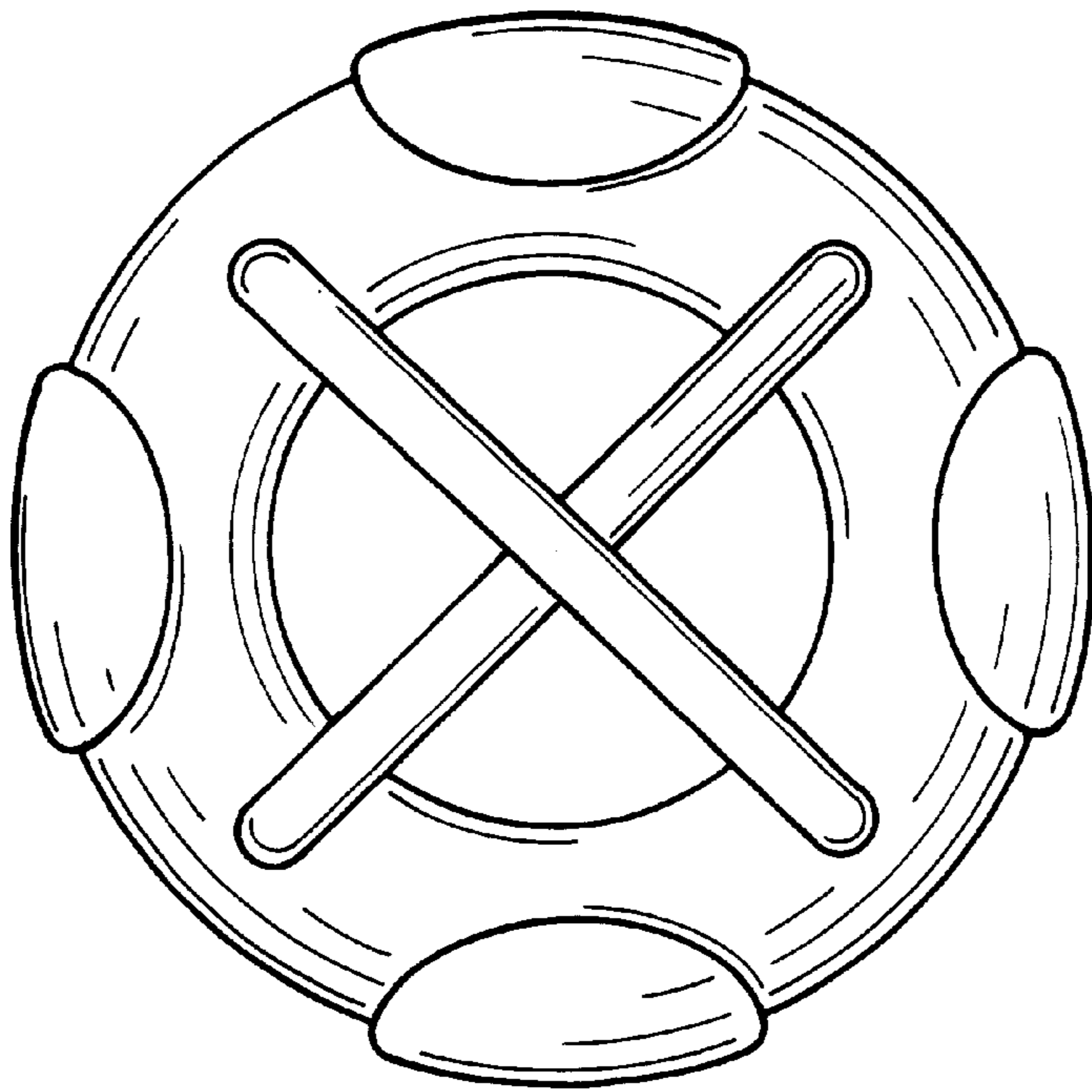


FIG. 6

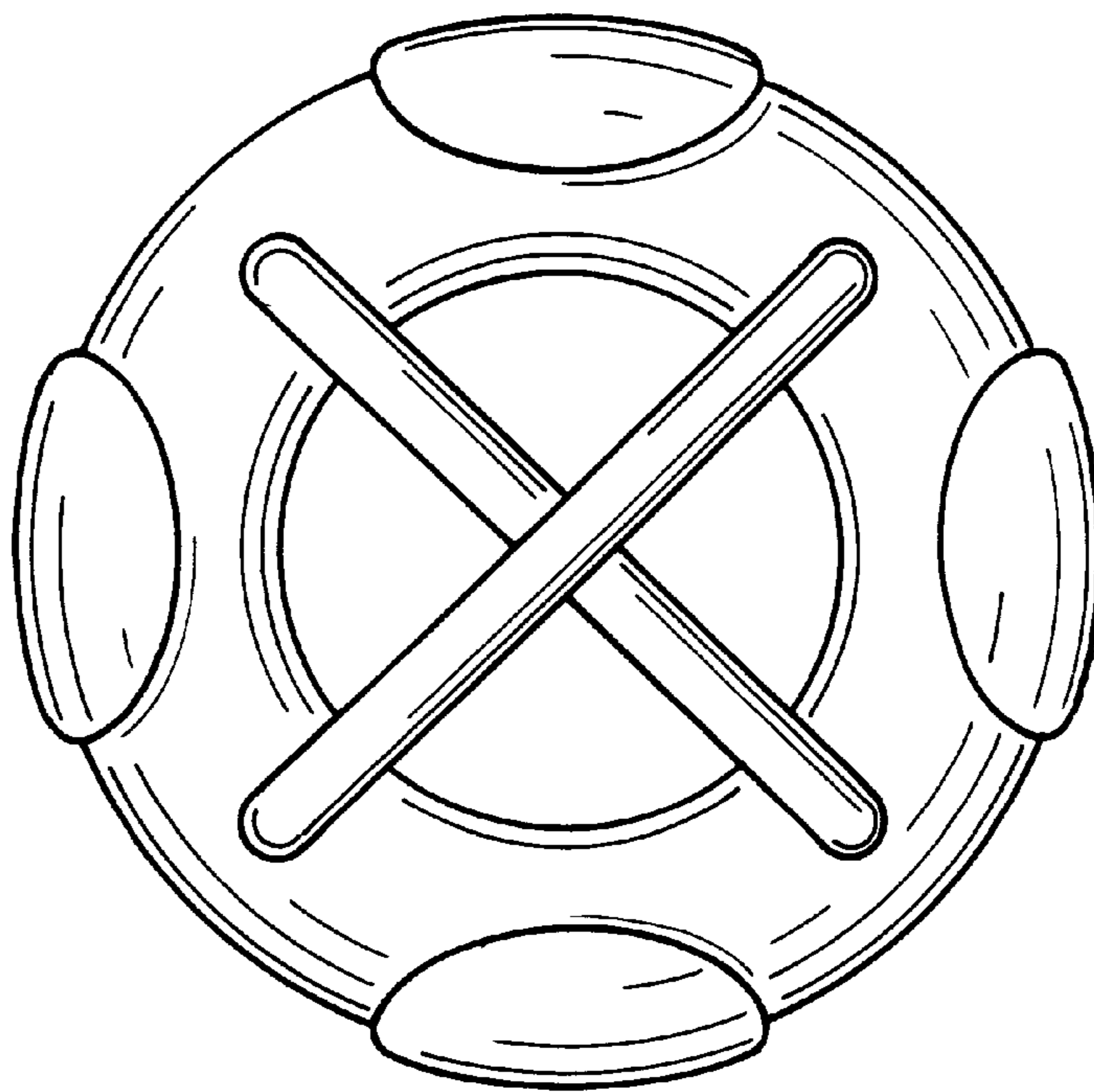


FIG. 7



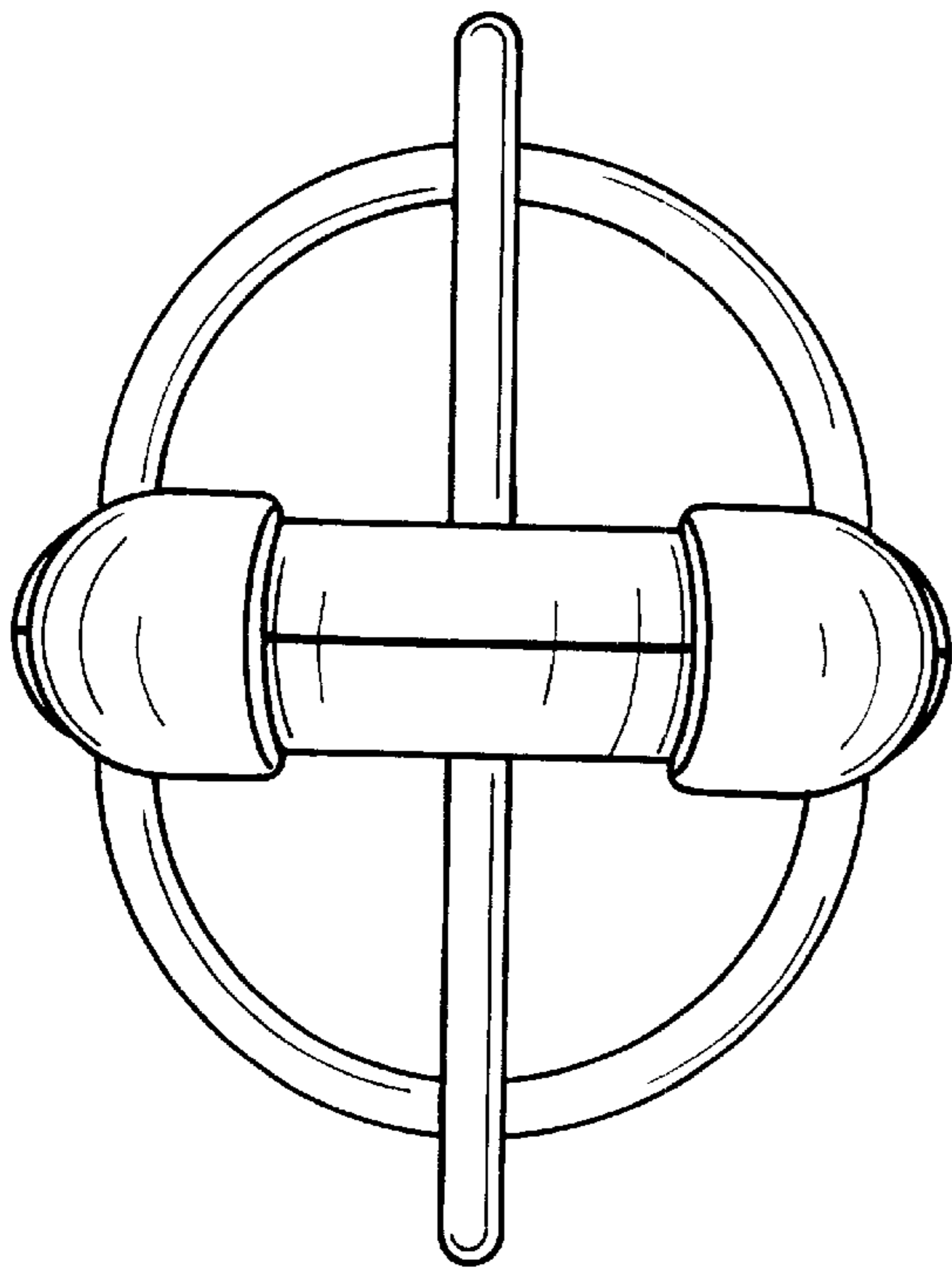


FIG. 8

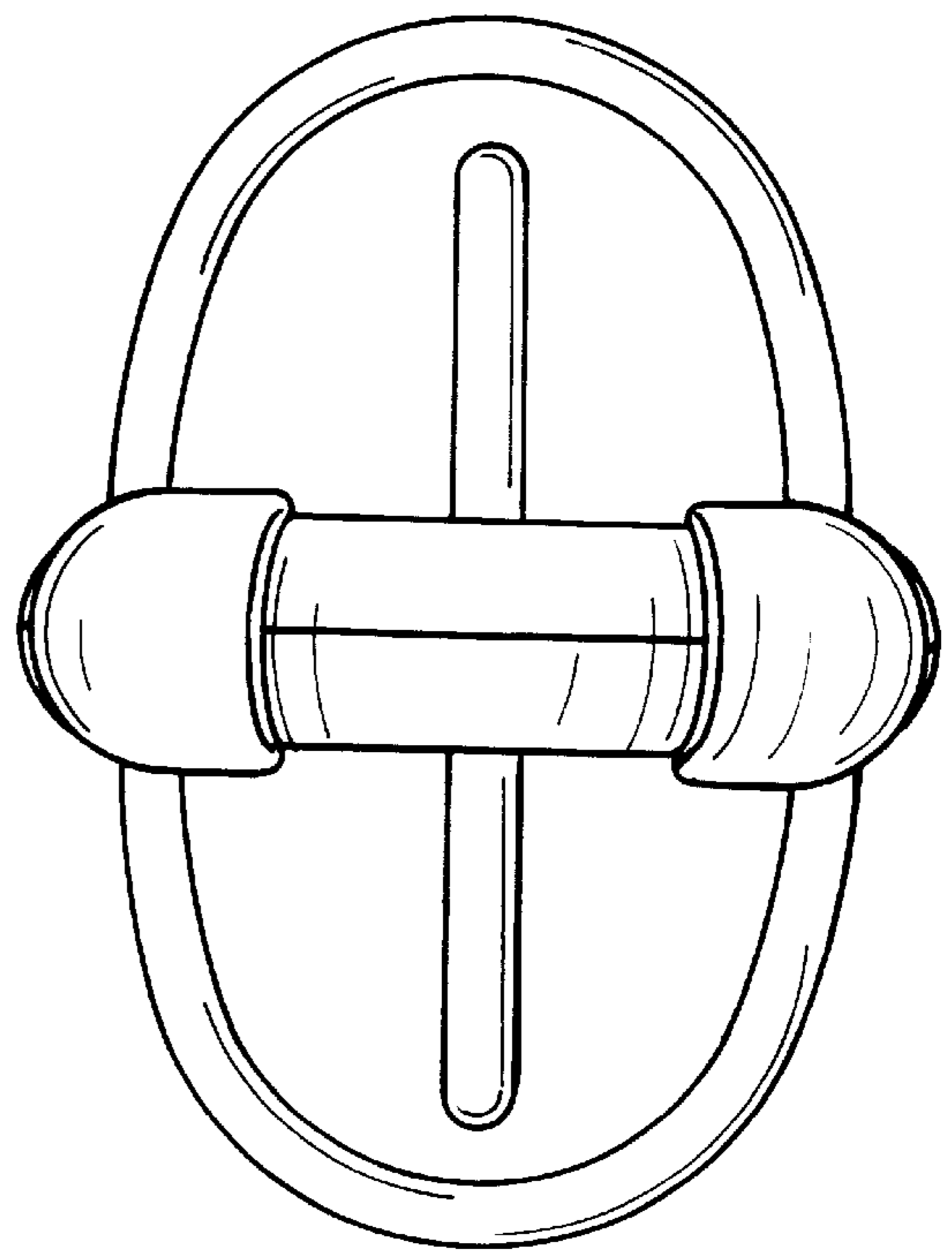


FIG. 9