



US00D417913S

**United States Patent** [19]  
**Szarmach**

[11] **Patent Number: Des. 417,913**

[45] **Date of Patent: \*\* Dec. 21, 1999**

[54] **COMBINED FAUCET PIX AND ADAPTOR THEREFOR**

5,013,300 5/1991 Williams ..... 604/119  
5,542,929 8/1996 Laabs et al. .... 604/902

[76] Inventor: **Donald K. Szarmach**, 10 First St.,  
Beacon Falls, Conn. 06403

*Primary Examiner*—Pamela Burgess  
*Attorney, Agent, or Firm*—Melvin I. Stoltz

[\*\*] Term: **14 Years**

[57] **CLAIM**

[21] Appl. No.: **29/069,923**

The ornamental design for a combined faucet pix and adaptor therefor, as shown and described.

[22] Filed: **Apr. 25, 1997**

**DESCRIPTION**

[51] **LOC (6) Cl.** ..... **24-02**

[52] **U.S. Cl.** ..... **D24/152**

[58] **Field of Search** ..... D24/108, 133,  
D24/152, 112; 604/310, 317, 35, 39, 264,  
275, 119, 902; 128/752; 433/80, 114, 85,  
88, 89

FIG. 1 is a front perspective of a combined faucet pix and adaptor therefor showing my new design;  
FIG. 2 is a front perspective view of a second embodiment of FIG. 1, it being understood that the only difference from the first embodiment resides in the wand tip;  
FIG. 3 is a top plan view of the first embodiment;  
FIG. 4 is a front elevational view thereof;  
FIG. 5 is a bottom plan view thereof; and,  
FIG. 6 is a side elevational view thereof, looking from the left side of FIG. 4, the opposite side being a mirror image thereof.

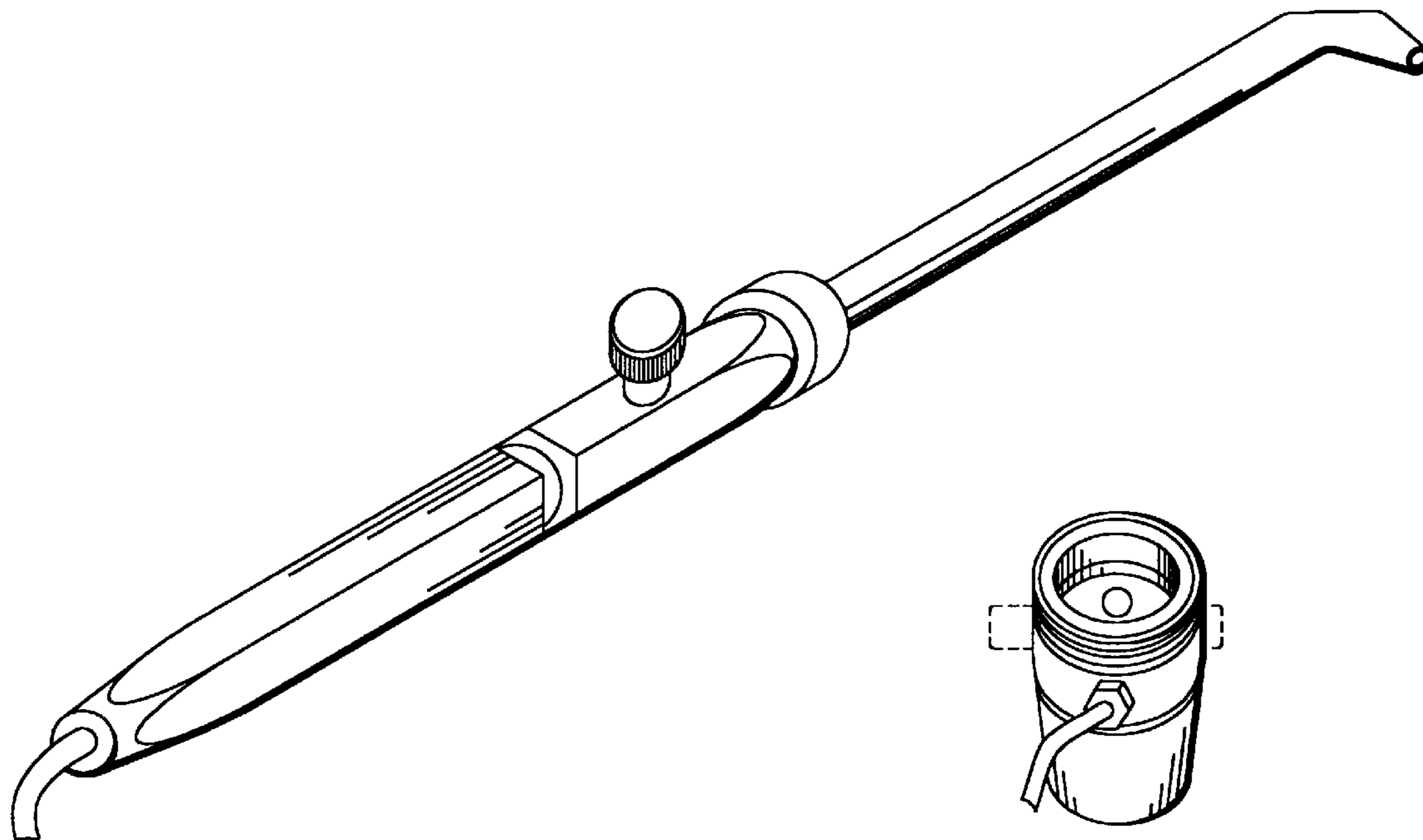
[56] **References Cited**

**U.S. PATENT DOCUMENTS**

D. 340,521	10/1993	Heinzelman et al. ....	D24/176
D. 359,118	6/1995	Nates .....	D24/108
D. 373,636	9/1996	Martin .....	D24/152
D. 378,939	4/1997	Smith et al. ....	D24/112
D. 389,912	1/1998	Emerson et al. ....	D24/133
D. 391,361	2/1998	Evans et al. ....	D24/147

It is understood that the tubing projecting from the wands and adaptor is of indeterminate length.

**1 Claim, 3 Drawing Sheets**



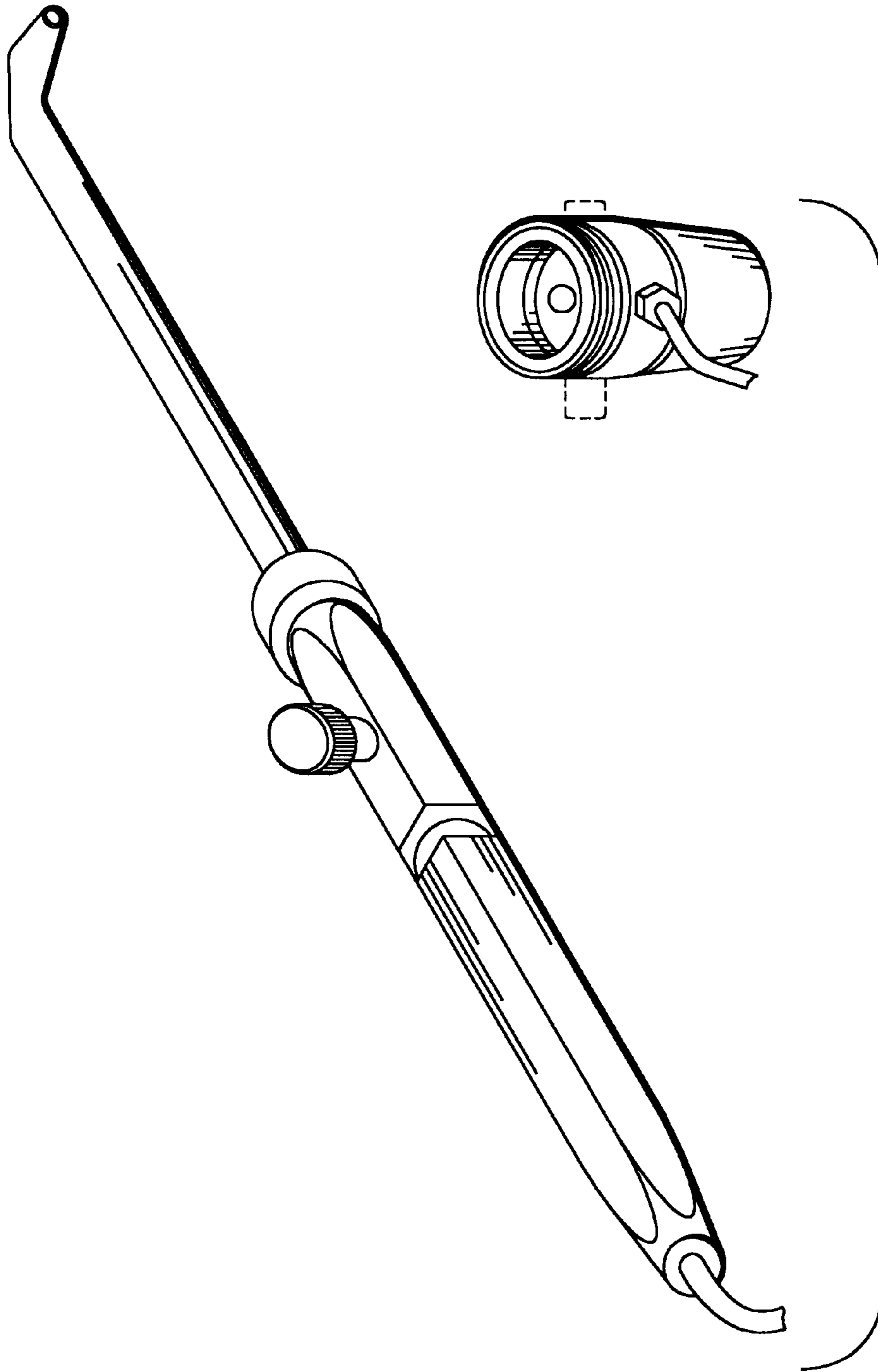


FIG. 1

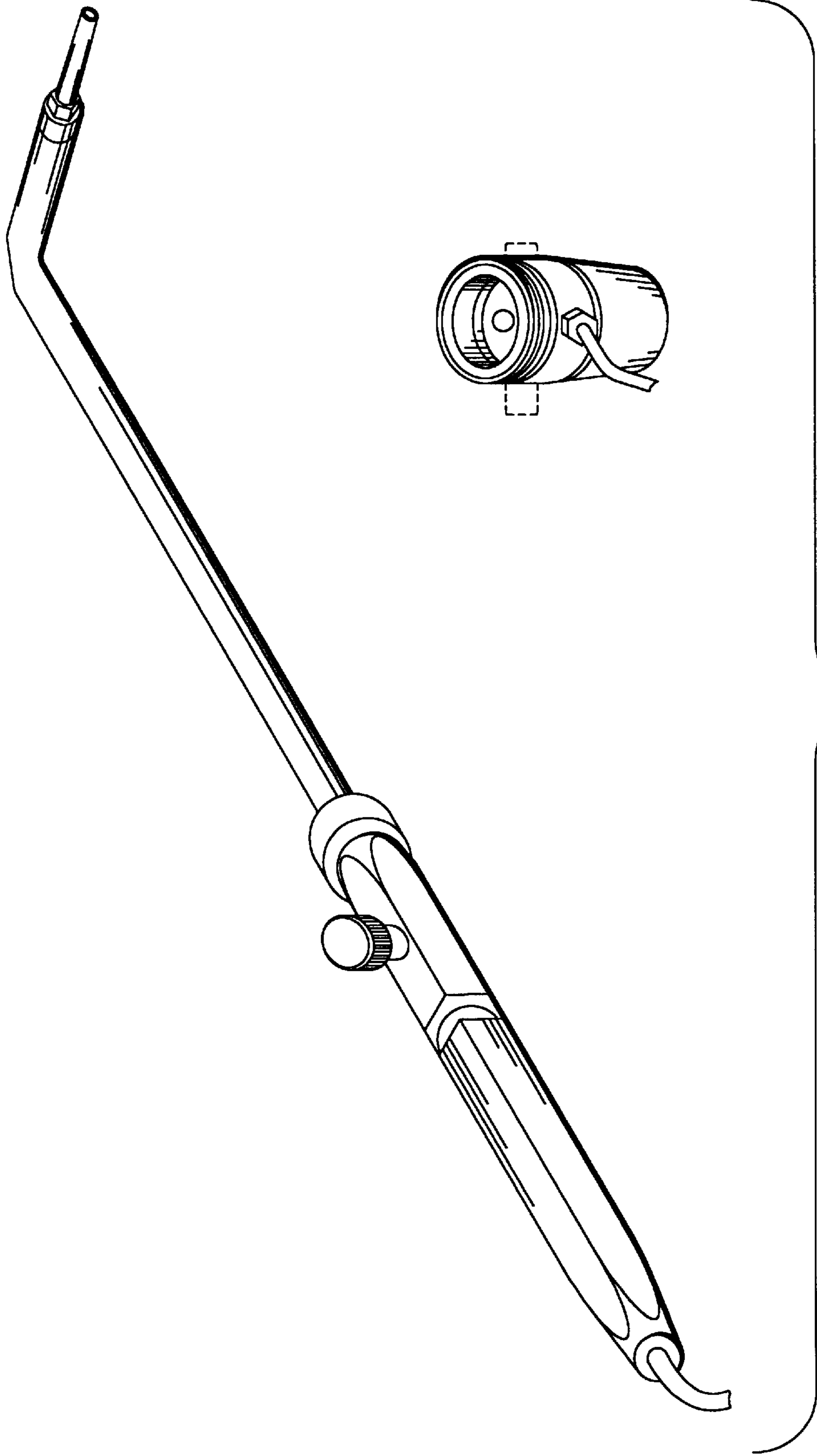


FIG. 2

FIG. 3

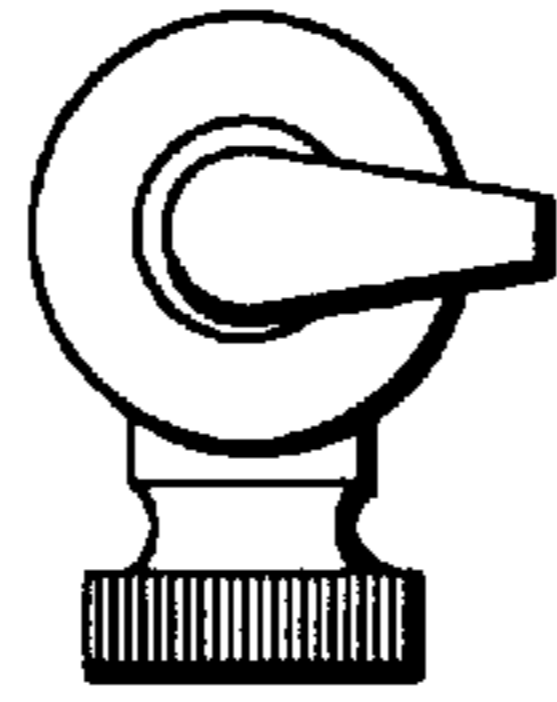


FIG. 4

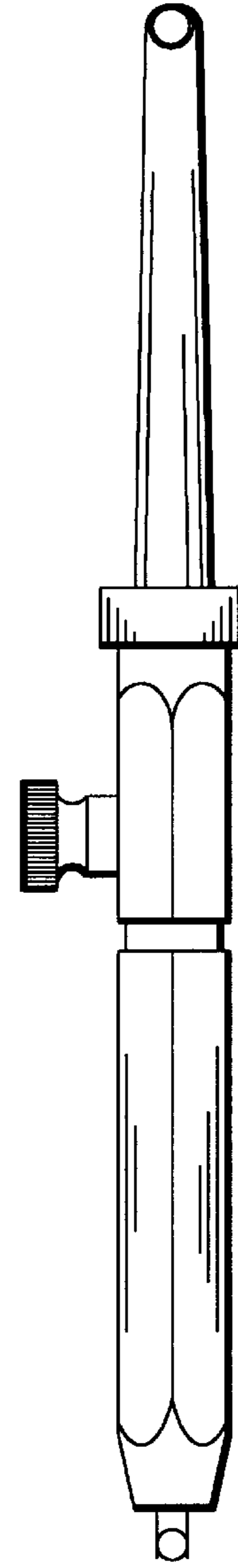
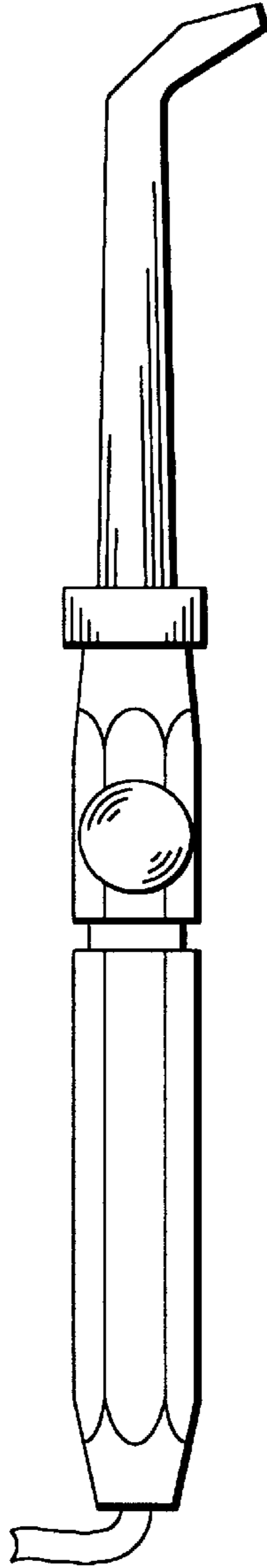


FIG. 6

FIG. 5

